



US00D331959S

United States Patent [19]

[11] Patent Number: **Des. 331,959**

Huang

[45] Date of Patent: **** Dec. 22, 1992**

[54] TOILET

[75] Inventor: **Chao-Chueh Huang**, Taipei, Taiwan

[73] Assignee: **Hocheng Pottery Manufacturing Co., Ltd.**, Taipei, Taiwan

[**] Term: **14 Years**

[21] Appl. No.: **629,196**

[22] Filed: **Dec. 18, 1990**

[52] U.S. Cl. **D23/301**

[58] Field of Search **D23/274, 295-302, D23/309-313; 4/300, 353, 420**

D. 262,647	1/1982	Kaiser	D23/301
D. 276,176	10/1984	Kaiser	D23/301
4,103,370	8/1978	Arnold	4/216 X
4,962,550	10/1990	Ikanaga et al.	4/420

Primary Examiner—James R. Lergen
Attorney, Agent, or Firm—Cushman, Darby & Cushman

[57] CLAIM

The ornamental design for toilet, as shown and described.

DESCRIPTION

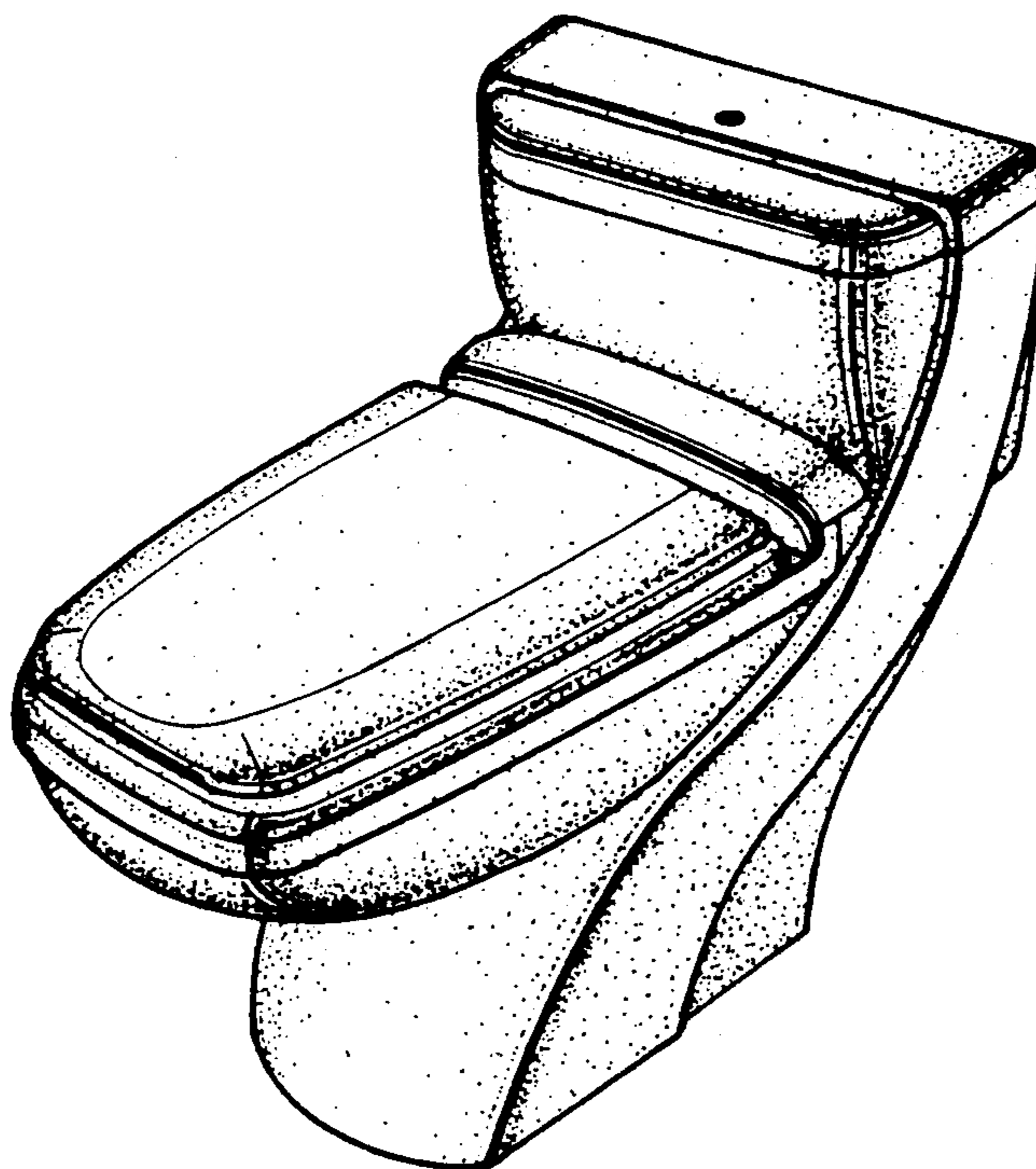
FIG. 1 is a front elevational view of toilet showing my new design;
FIG. 2 is a rear elevational view thereof;
FIG. 3 is a top plan view thereof;
FIG. 4 is a bottom plan view thereof;
FIG. 5 is a left side view thereof;
FIG. 6 is a right side view thereof; and,
FIG. 7 is a perspective view taken from the top, front and right side thereof.

[56]

References Cited

U.S. PATENT DOCUMENTS

D. 198,018	4/1964	Wadsworth	D23/301
D. 224,108	7/1972	Doman	D23/301
D. 247,750	4/1978	Lu et al.	D23/301
D. 261,799	11/1981	Alger	D23/301



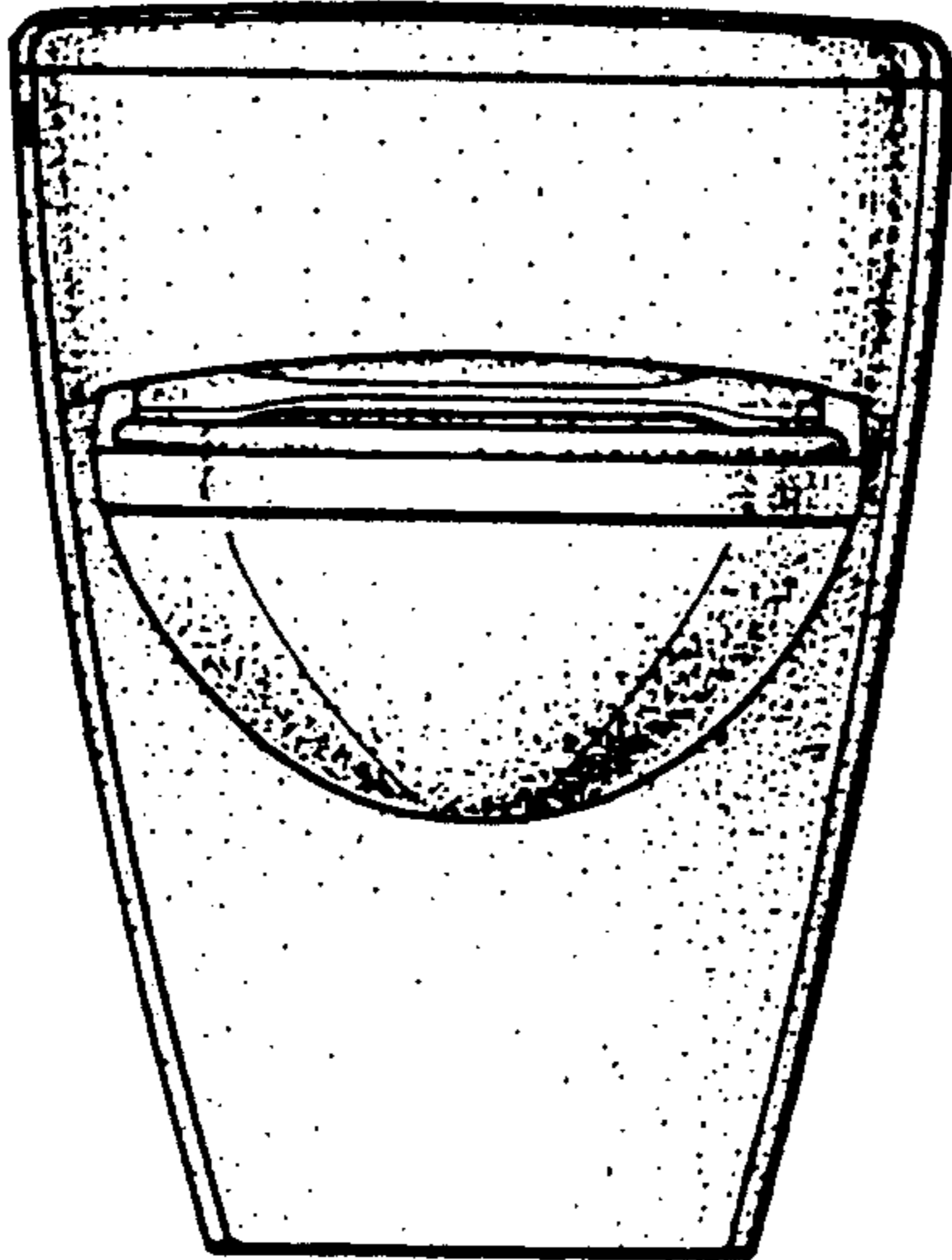


FIG. 1

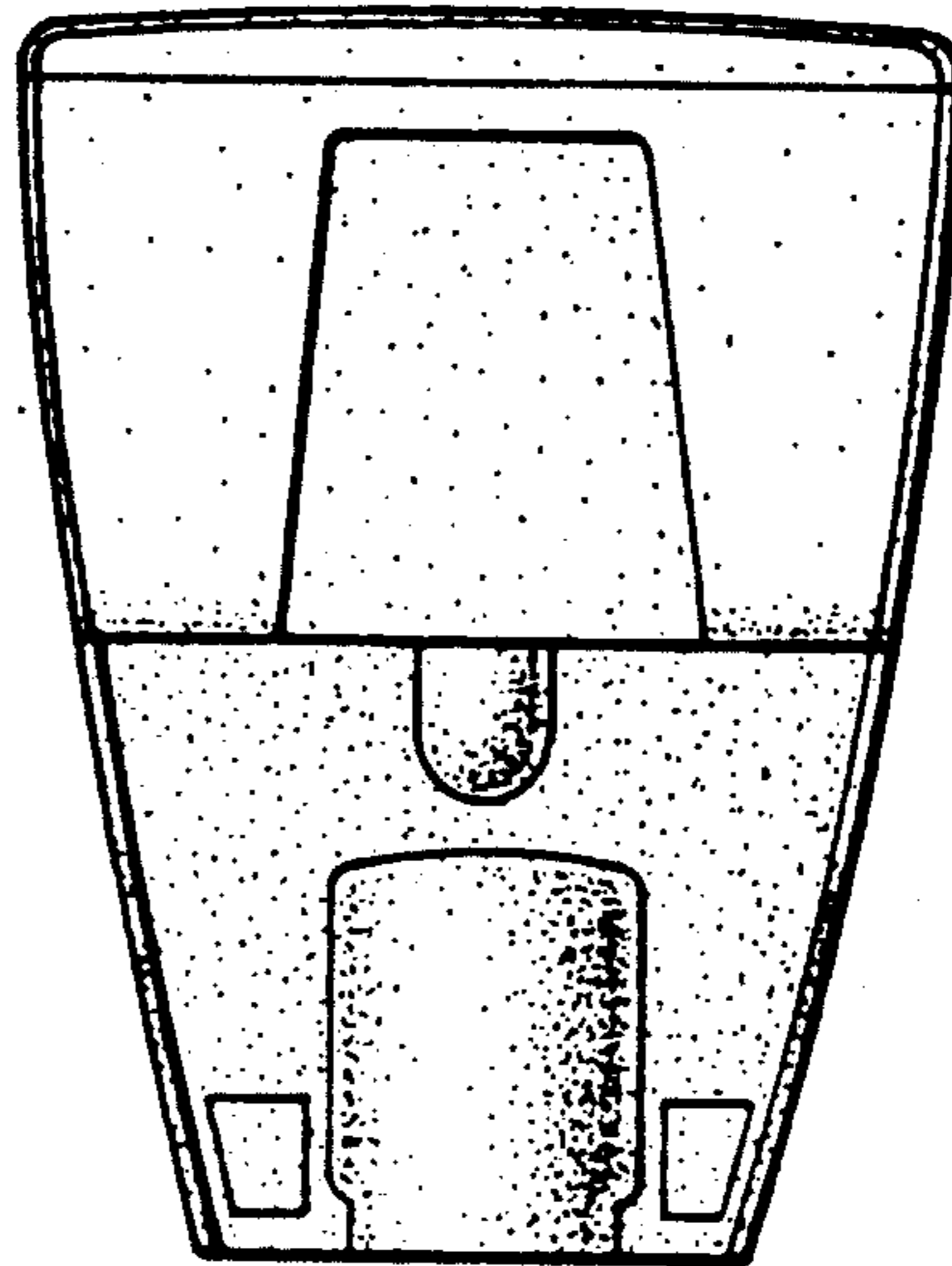


FIG. 2

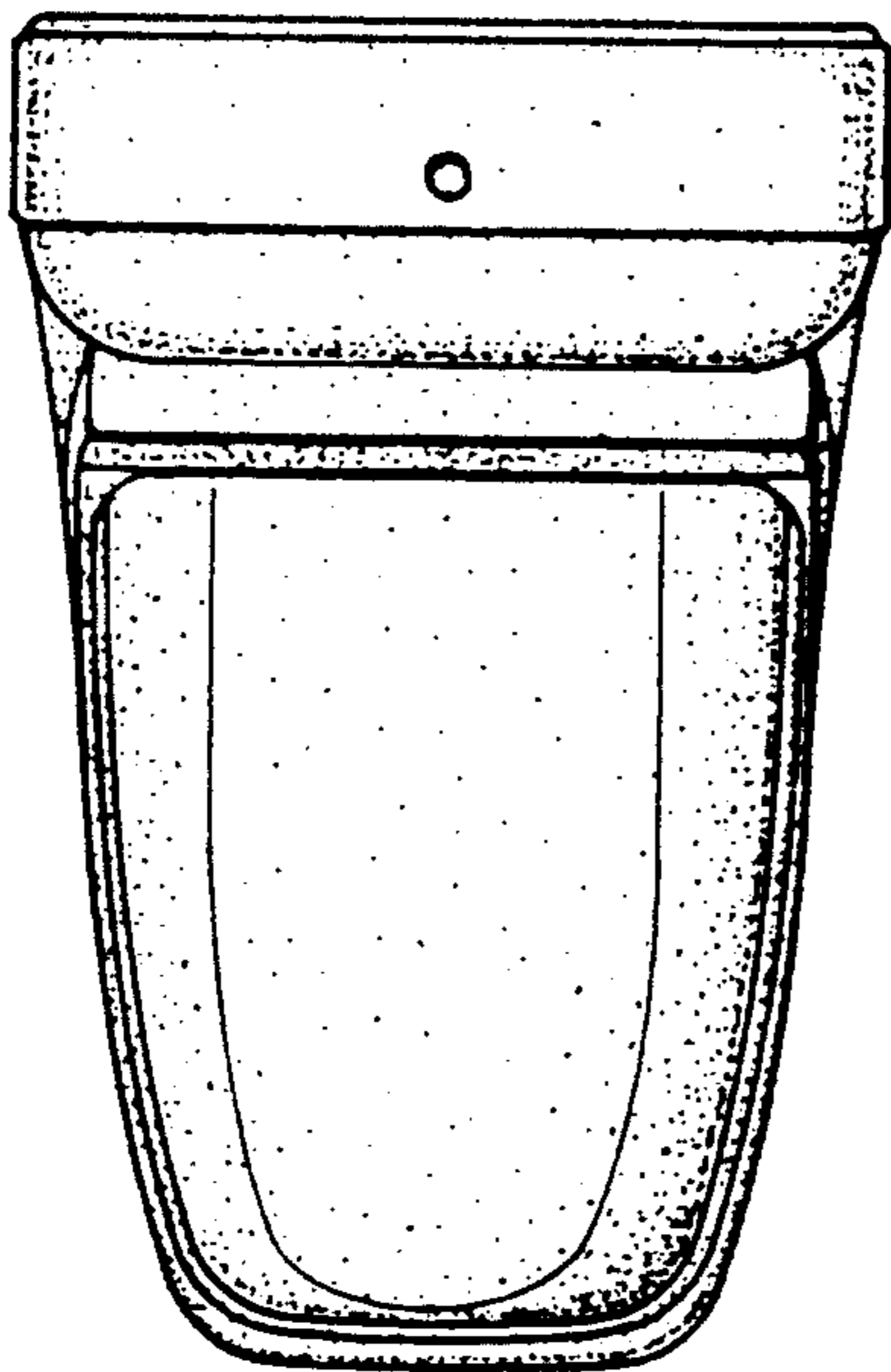


FIG. 3

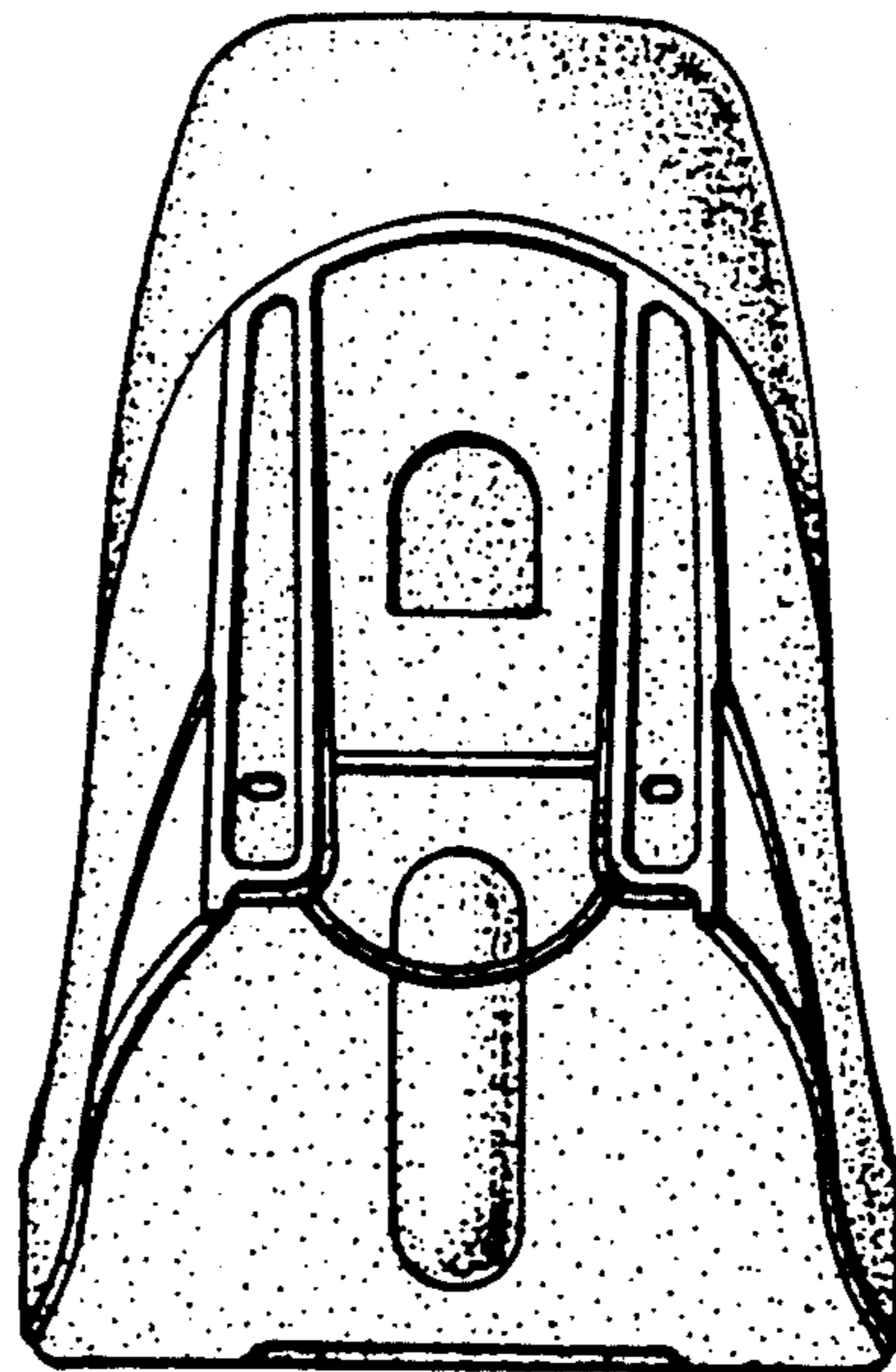


FIG. 4

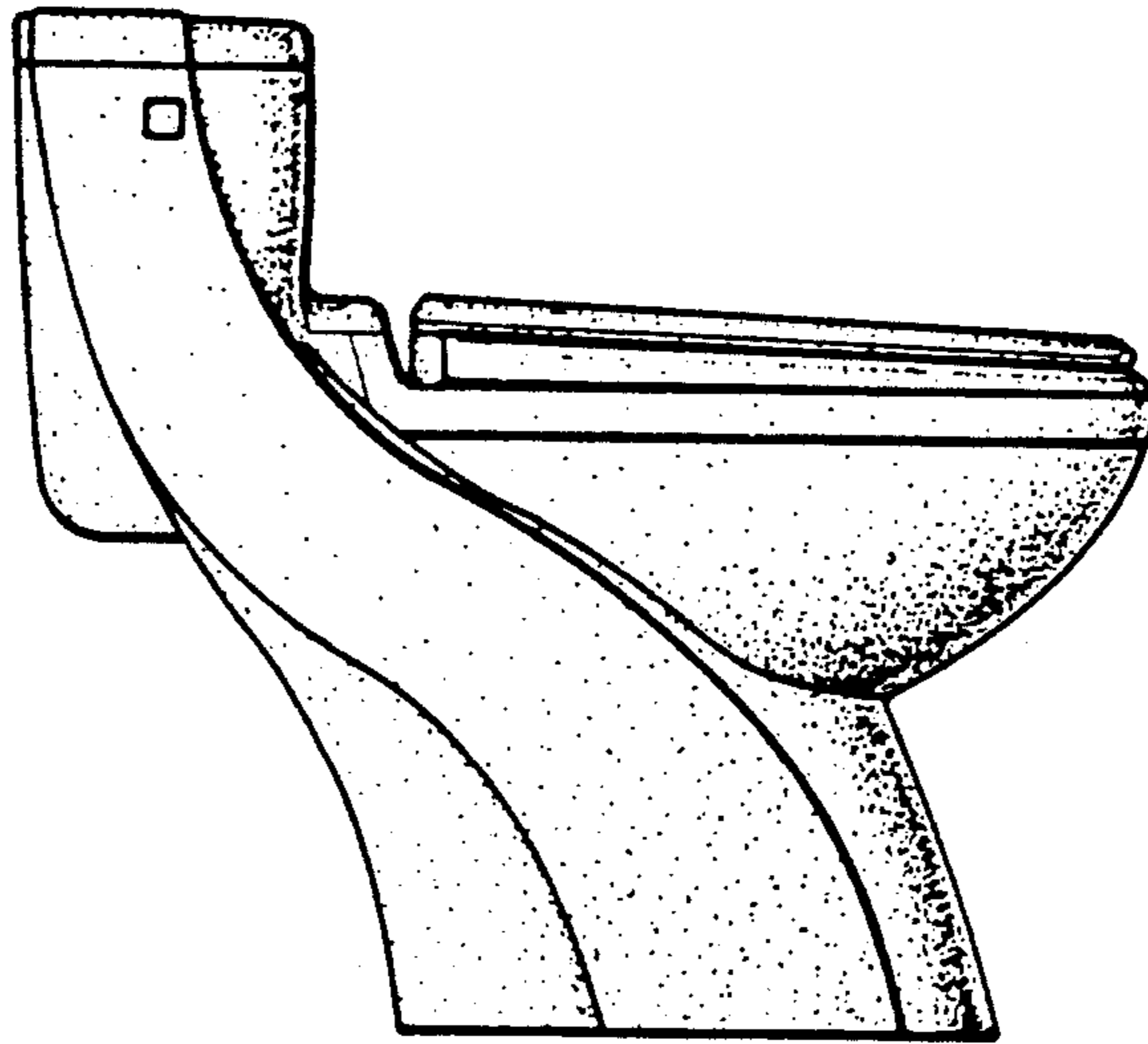


FIG. 5

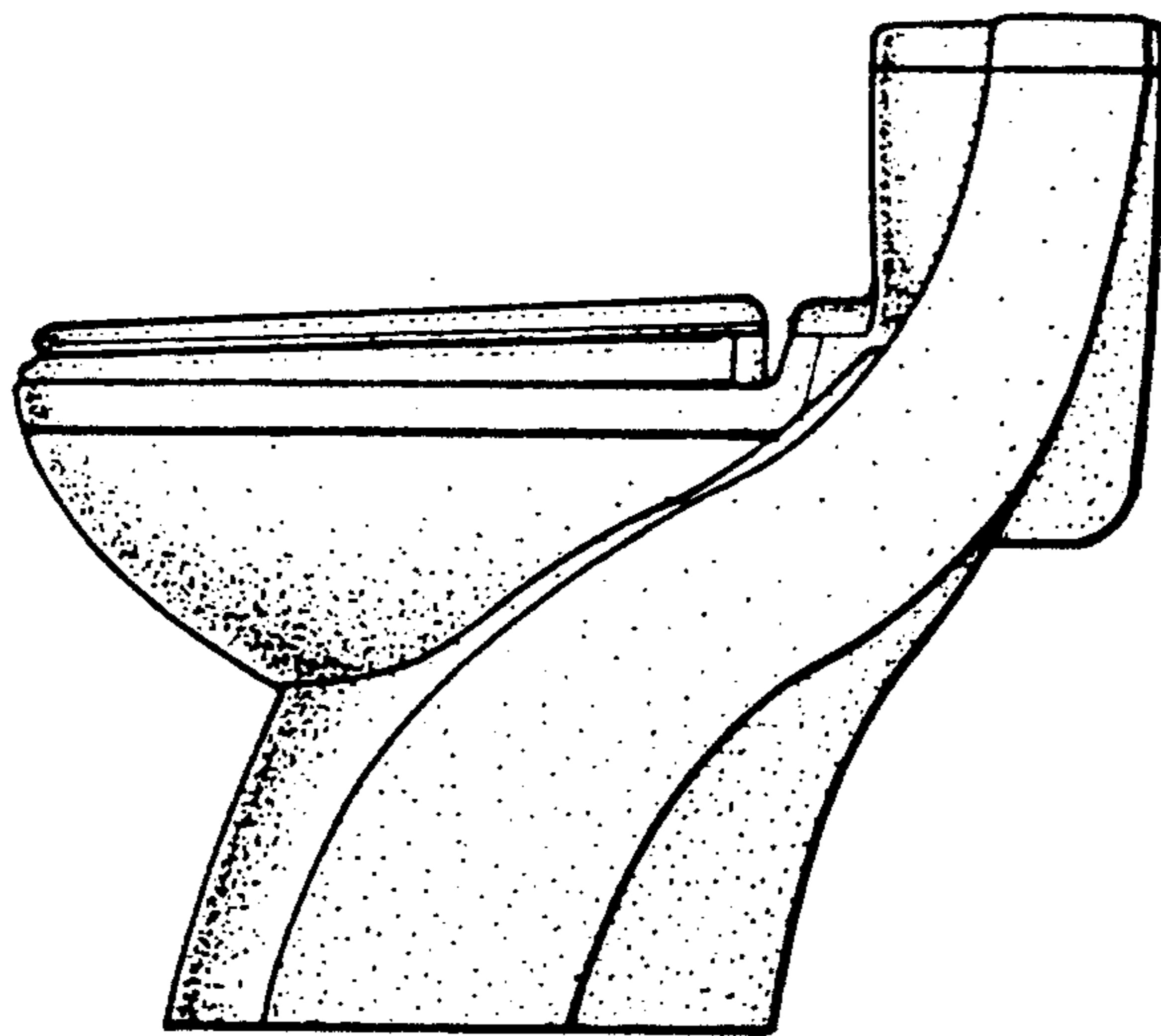


FIG. 6

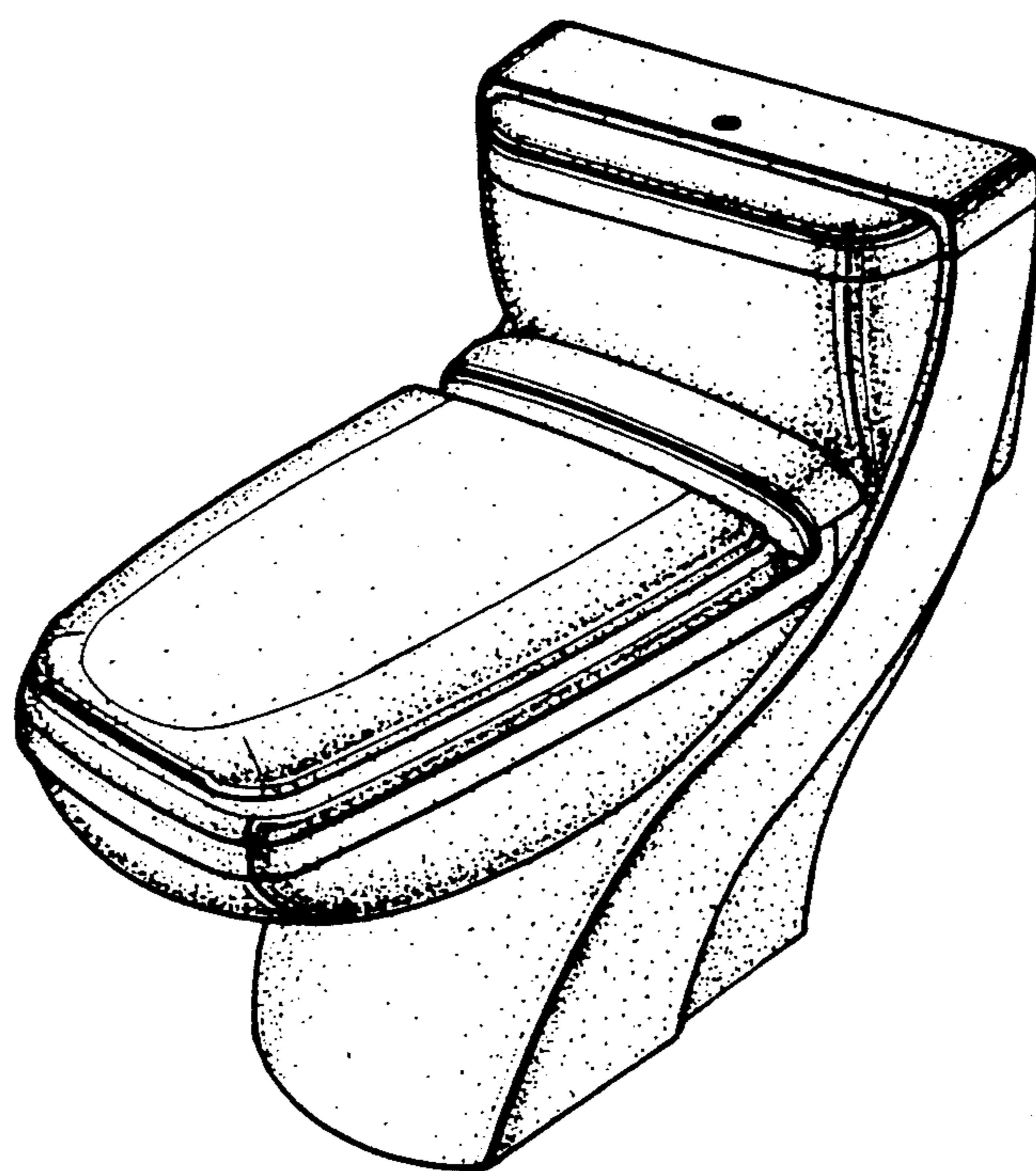


FIG. 7