



US00D331958S

United States Patent [19]

[11] Patent Number: **Des. 331,958**

Robbins

[45] Date of Patent: **** Dec. 22, 1992**

[54] **FISHING REEL**

[75] Inventor: **Richard J. Robbins, Derby, Kans.**

[73] Assignee: **Zebco Corporation, Tulsa, Okla.**

[**] Term: **14 Years**

[21] Appl. No.: **522,512**

[22] Filed: **Apr. 10, 1990**

[52] U.S. Cl. **D22/141**

[58] Field of Search **D22/141; 242/230-233, 242/237, 245-246**

[56] **References Cited**

U.S. PATENT DOCUMENTS

- D. 251,981 5/1979 Hiraishi et al. D22/141
- D. 308,717 6/1990 Hiraishi et al. D22/141
- D. 324,092 2/1992 Baugh et al. D22/141

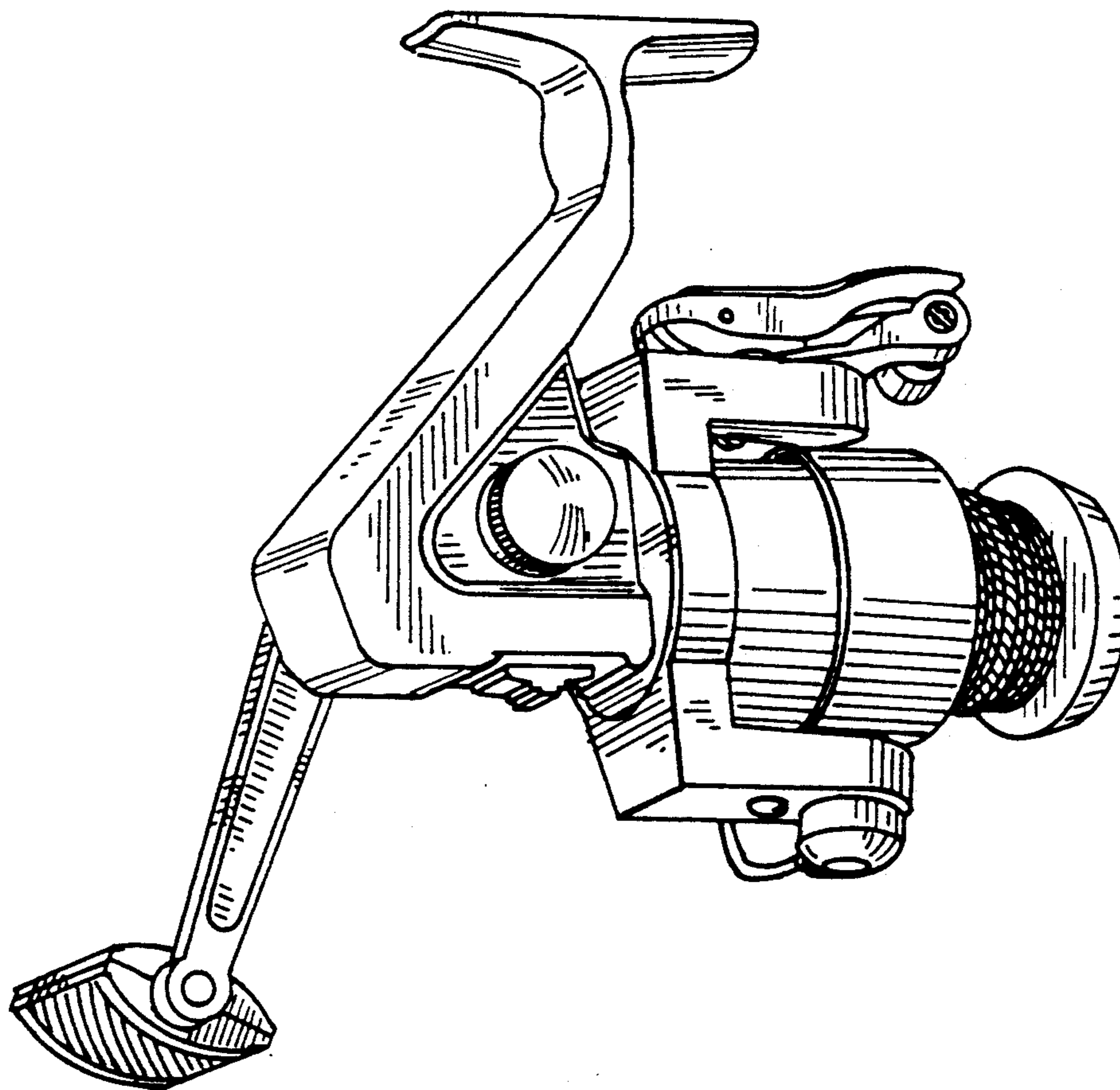
Primary Examiner—Louis S. Zarfes
Assistant Examiner—Doris V. Coles
Attorney, Agent, or Firm—Wood, Phillips, VanSanten, Hoffman & Ertel

[57] **CLAIM**

The ornamental design for a fishing reel, as shown and described.

DESCRIPTION

FIG. 1 is a rear and left side perspective view of a fishing reel showing my new design;
FIG. 2 is a right side elevational view thereof;
FIG. 3 is a left side elevational view thereof;
FIG. 4 is a top plan view thereof;
FIG. 5 is a bottom plan view thereof;
FIG. 6 is a front elevational view thereof; and,
FIG. 7 is a rear elevational view thereof.



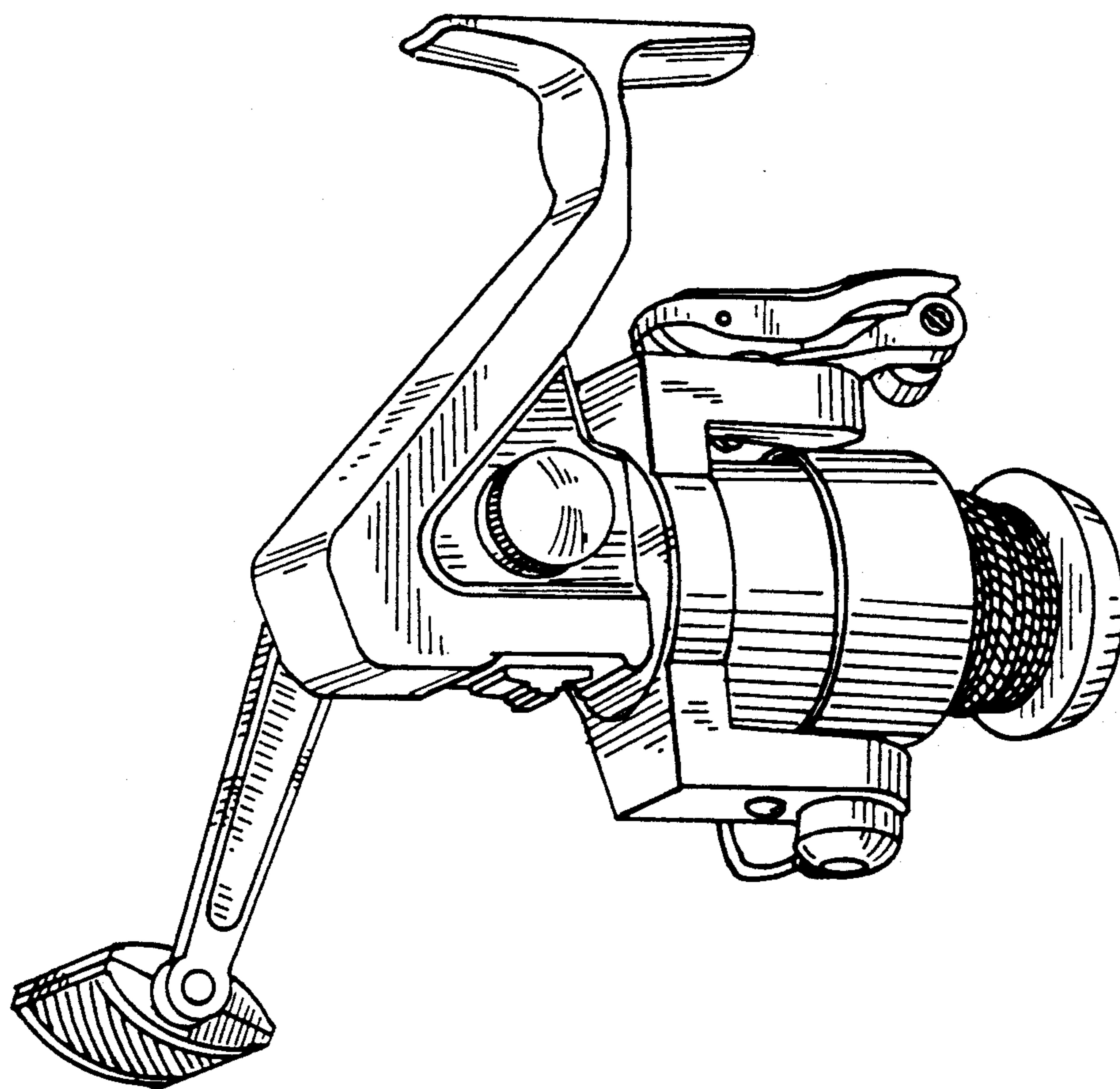


Fig. 1

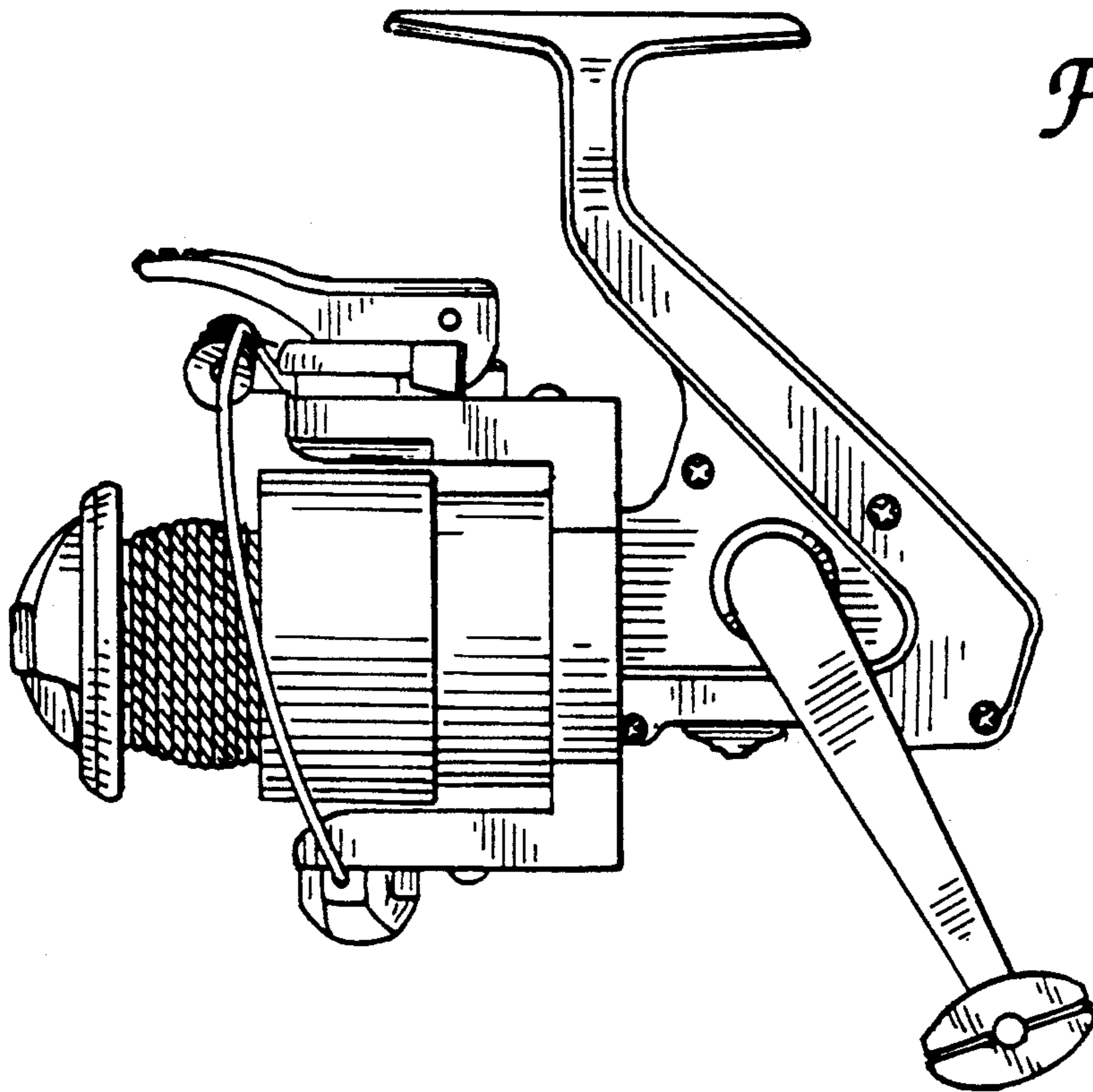


Fig. 2

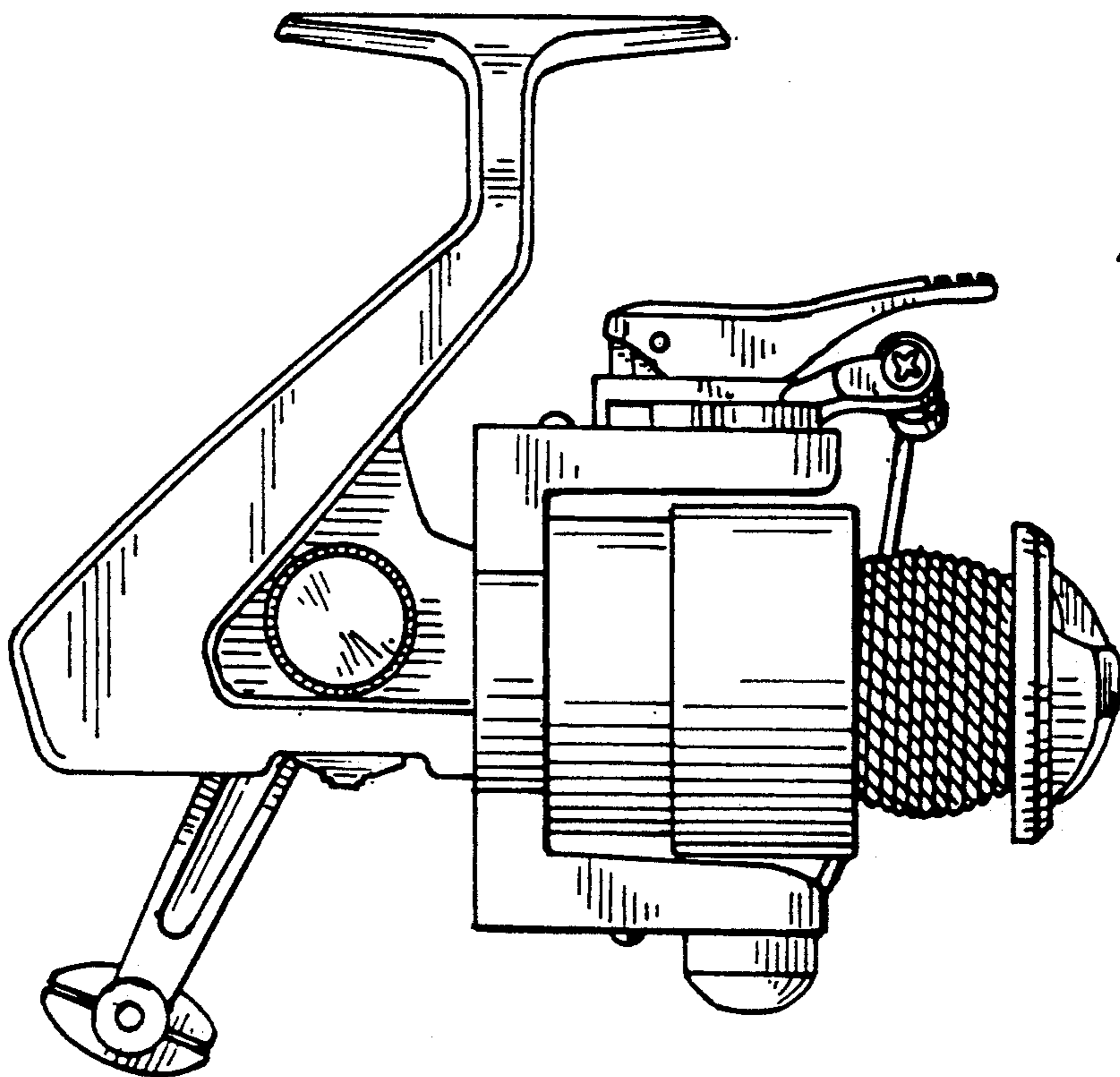


Fig. 3

Fig. 4

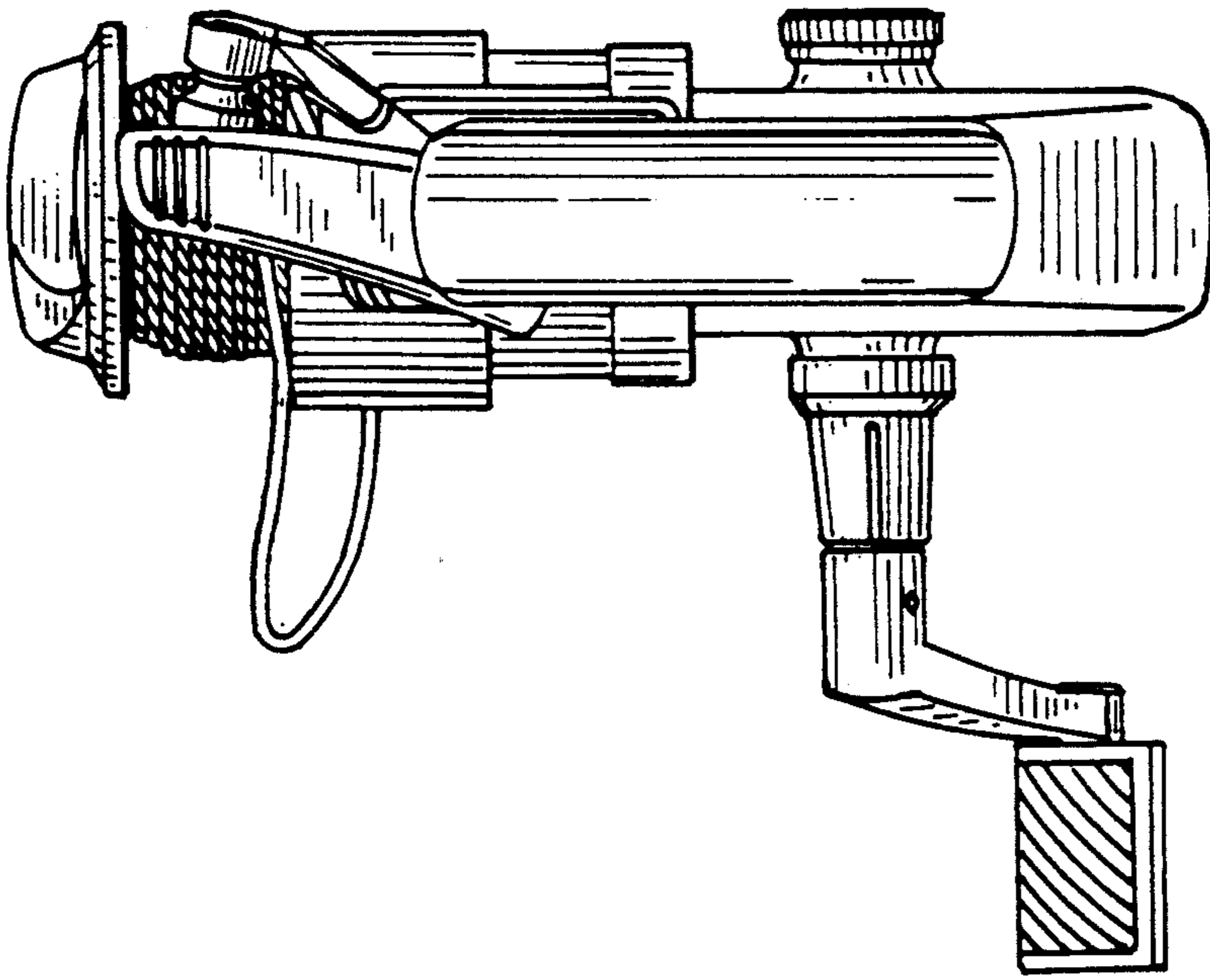


Fig. 5

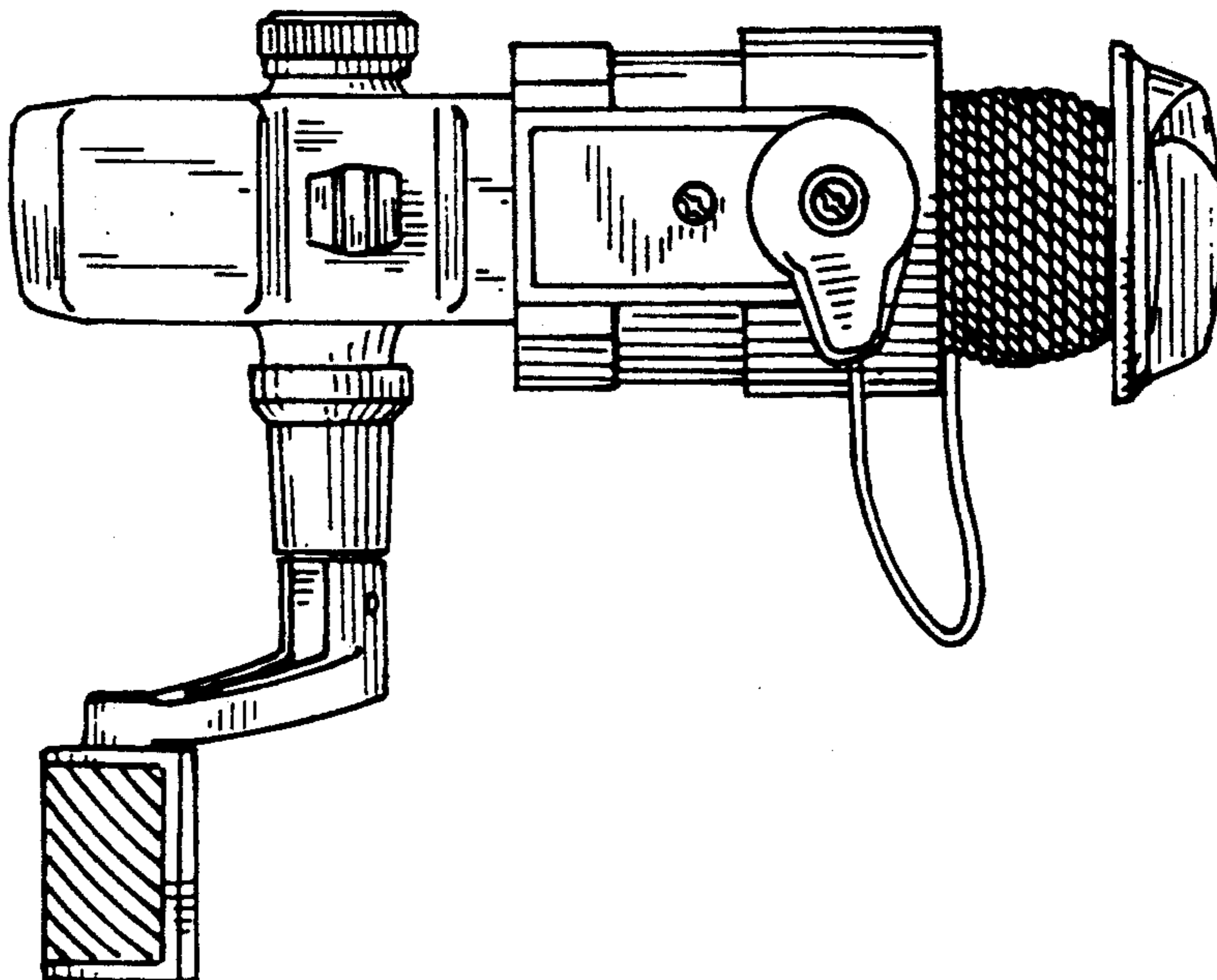


Fig. 6

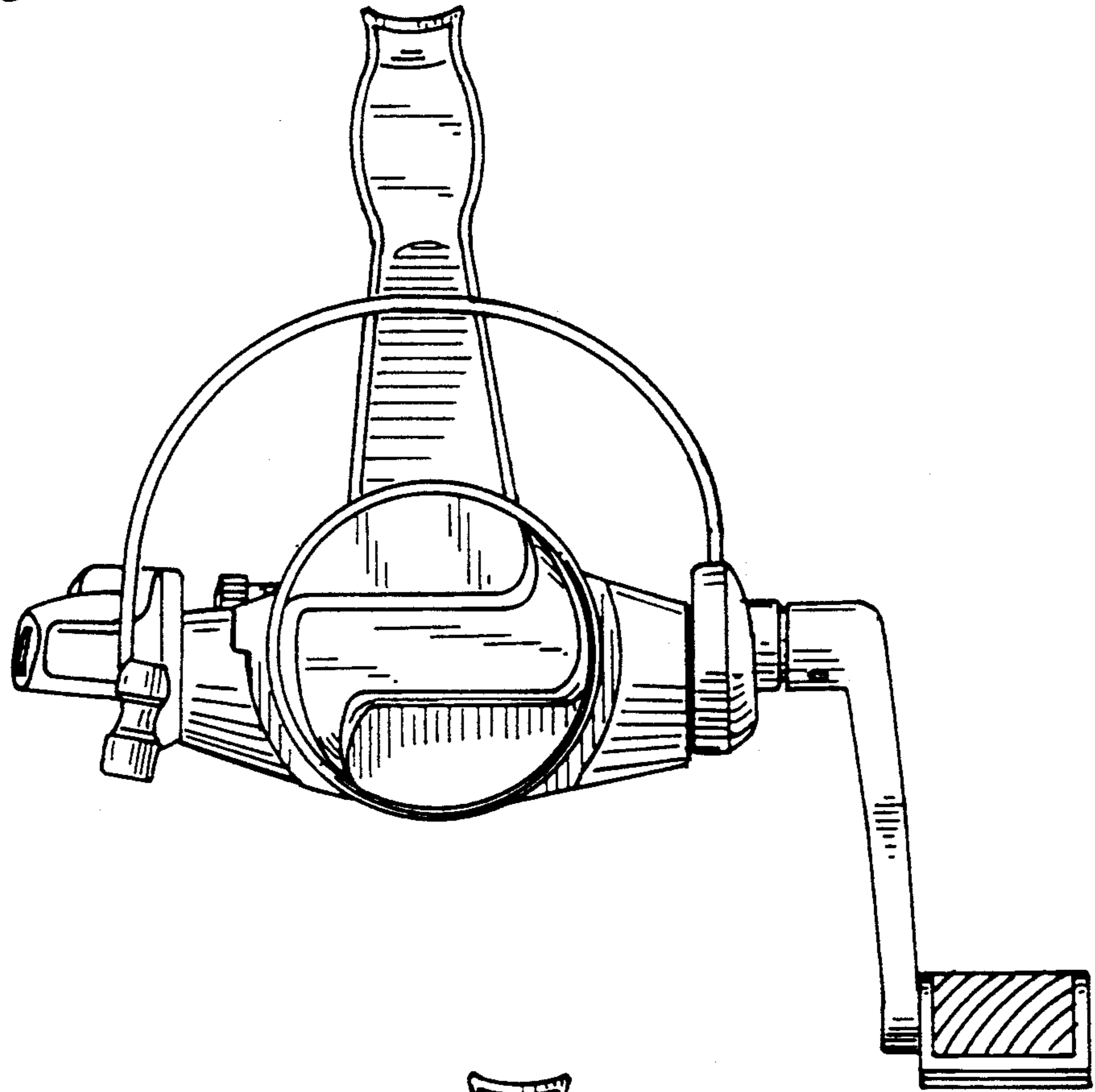


Fig. 7

