



US00D331957S

United States Patent [19]

[11] Patent Number: **Des. 331,957**

Rowa

[45] Date of Patent: **** Dec. 22, 1992**

[54] **GUN SUPPORT**

[75] Inventor: **Elof Rowa, Mårdvägen, Sweden**

[73] Assignee: **Hagglunds Vehicle AB,
Ornskoldsvik, Sweden**

[**] Term: **14 Years**

[21] Appl. No.: **577,621**

[22] Filed: **Sep. 5, 1990**

[30] **Foreign Application Priority Data**

Mar. 5, 1990 [SE] Sweden 90-0483

[52] U.S. Cl. **D22/108**

[58] Field of Search D22/108; 42/94;
89/37.01-37.05, 37.13, 40.03, 40.06, 40.16,
41.01

[56] **References Cited**

U.S. PATENT DOCUMENTS

1,810,654 6/1931 Haubroe 89/40.06

2,444,334	6/1948	Caulicins	89/37.05
2,475,089	7/1949	Green et al.	89/37.02 X
4,336,743	6/1982	Horn et al.	89/37.03
4,858,514	8/1989	Argon	89/41.01 X
4,926,743	5/1990	Dodd	89/37.03 X
5,056,409	10/1991	Allais et al.	89/37.02 X

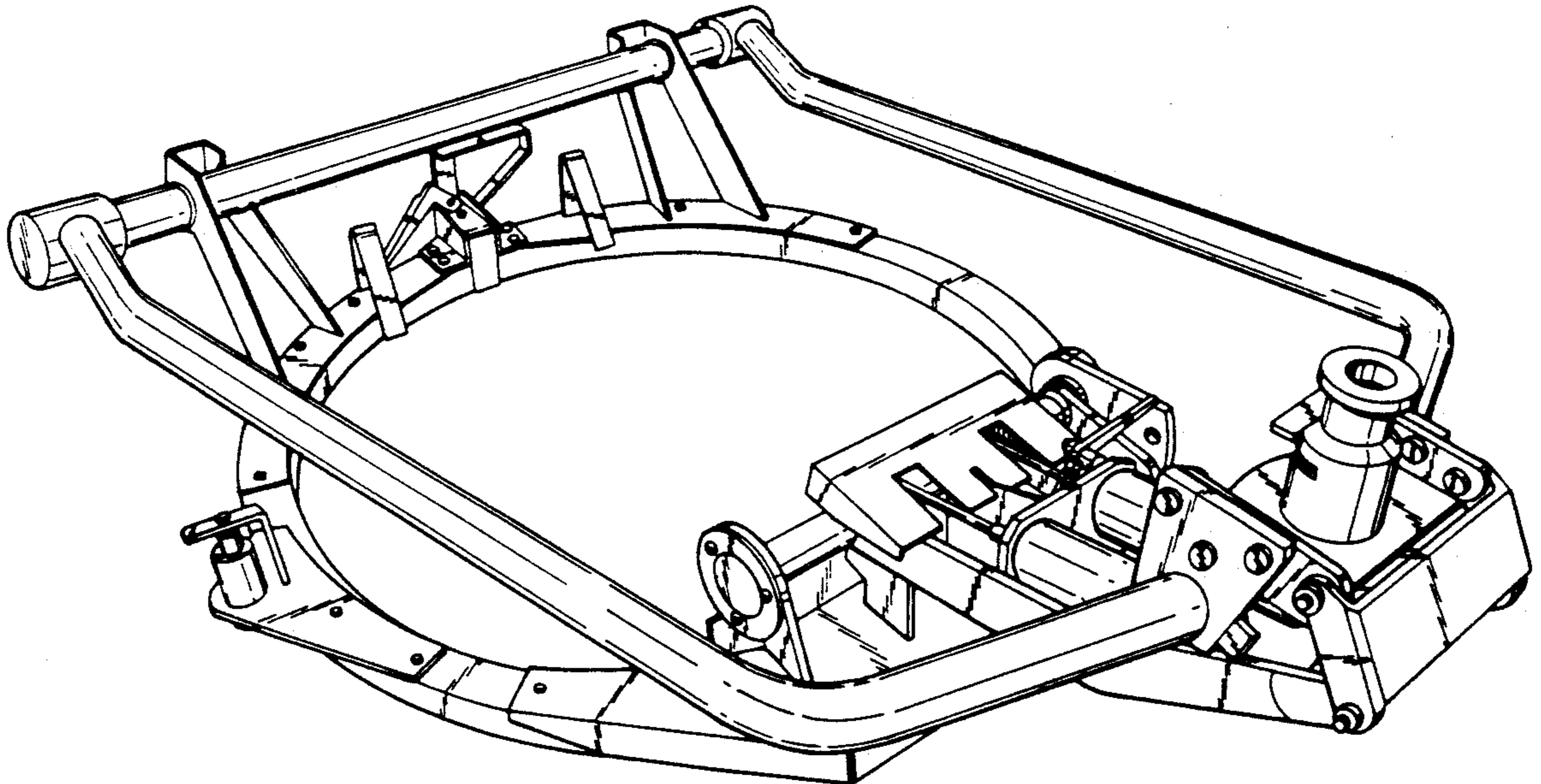
Primary Examiner—A. Hugo Word
Assistant Examiner—Doris V. Coles
Attorney, Agent, or Firm—Young & Thompson

[57] **CLAIM**

The ornamental design for a gun support, as shown.

DESCRIPTION

FIG. 1 is a top and front perspective view of a gun support, showing my new design;
FIG. 2 is a front elevational view thereof;
FIG. 3 is a rear elevational view thereof;
FIG. 4 is a right side elevational view thereof;
FIG. 5 is a left side elevational view thereof;
FIG. 6 is a top plan view thereof; and,
FIG. 7 is a bottom plan view thereof.



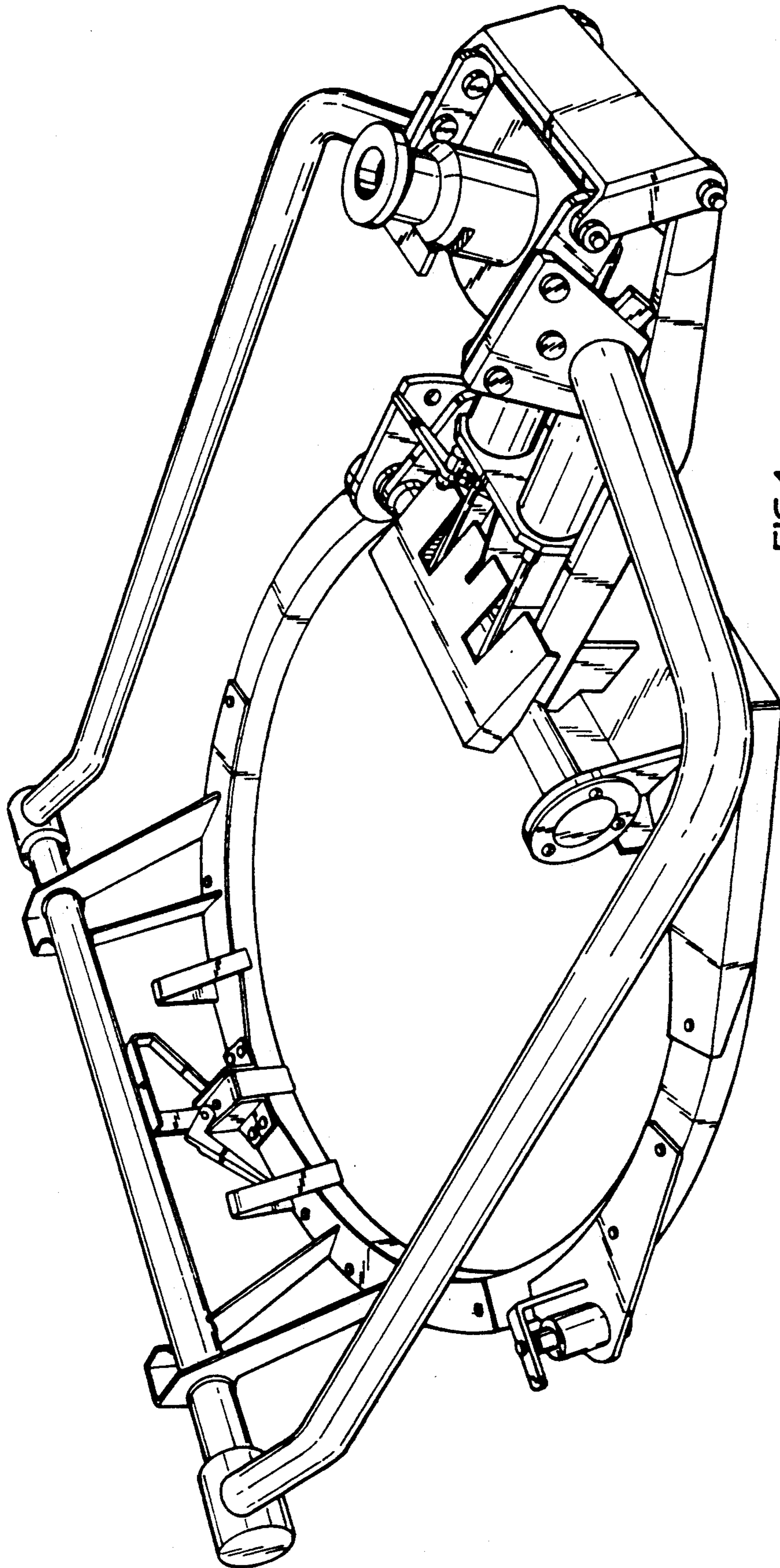


FIG. 1

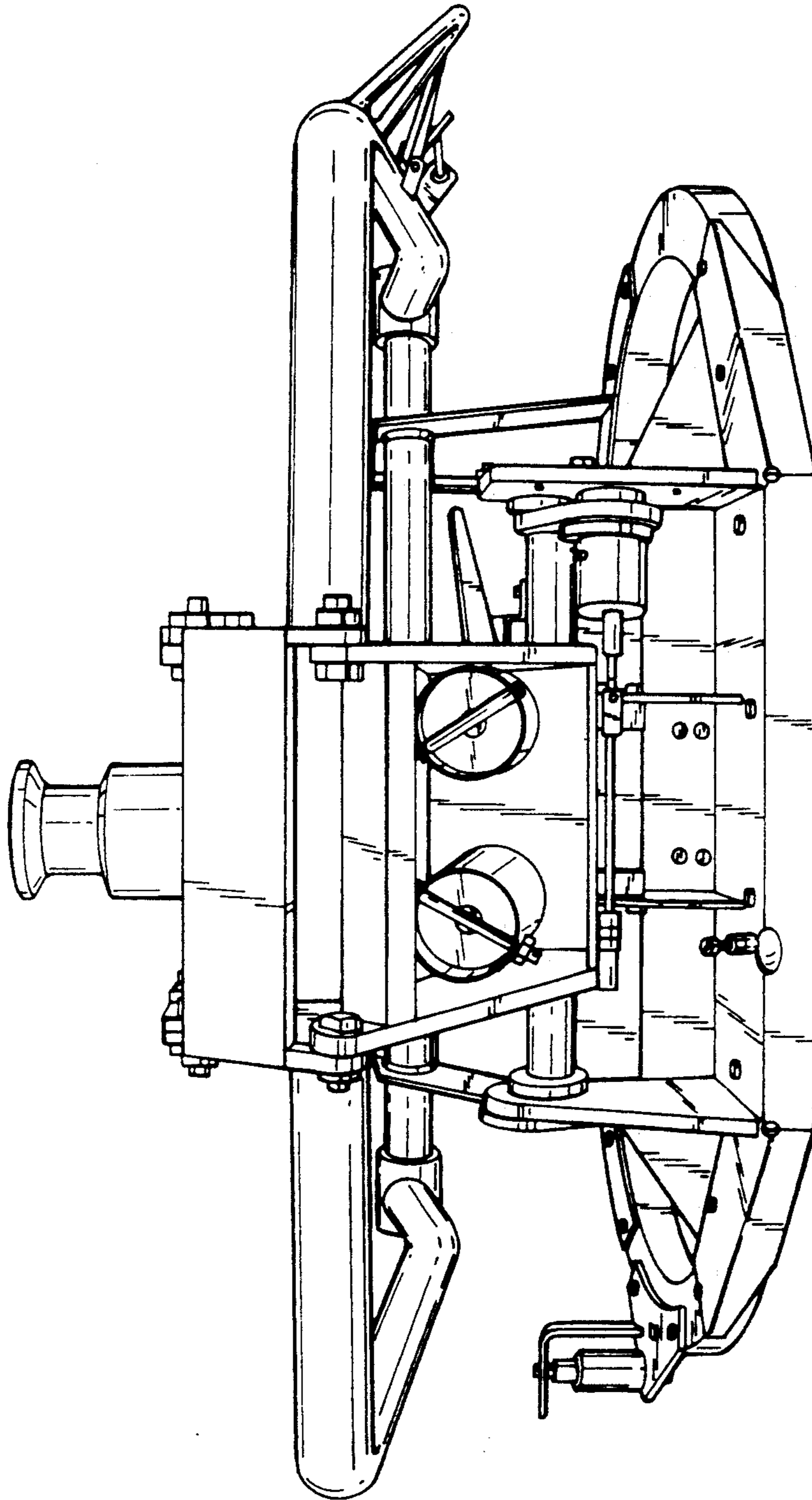


FIG. 2

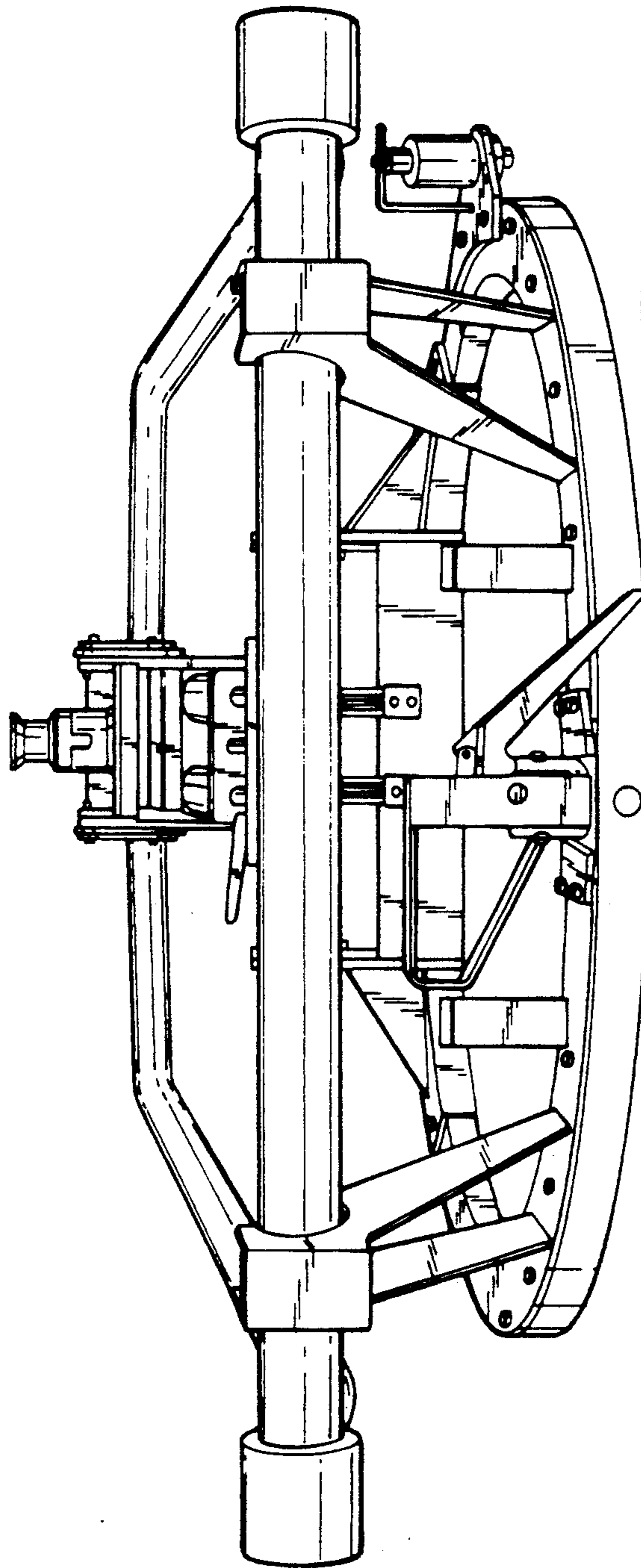


FIG. 3

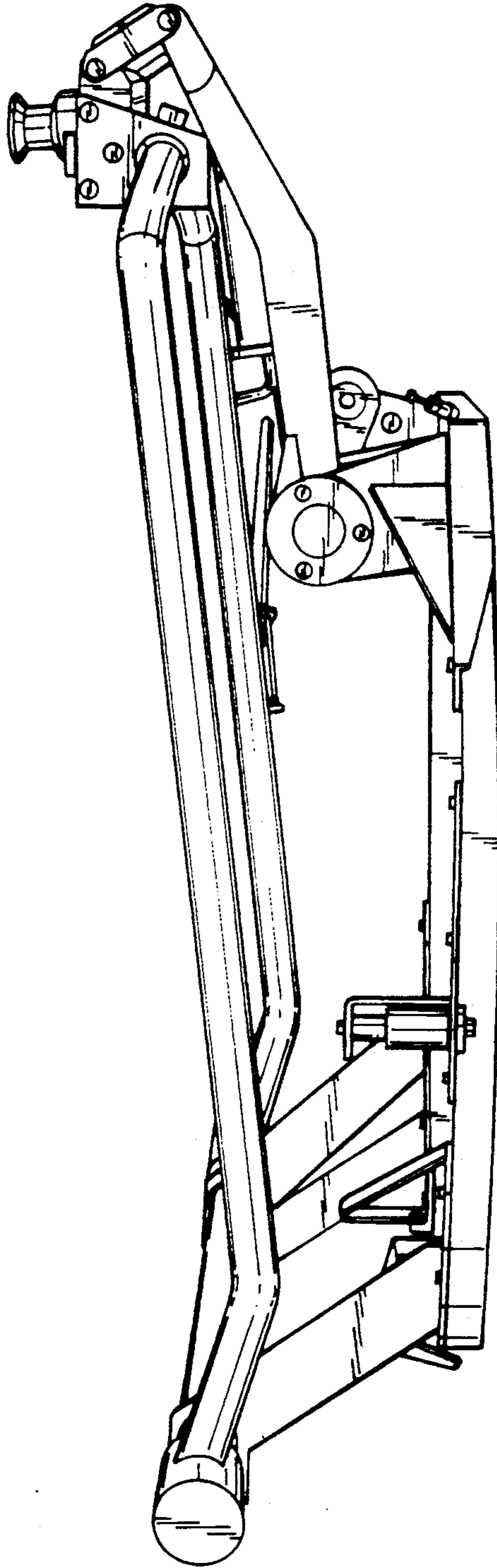


FIG. 4

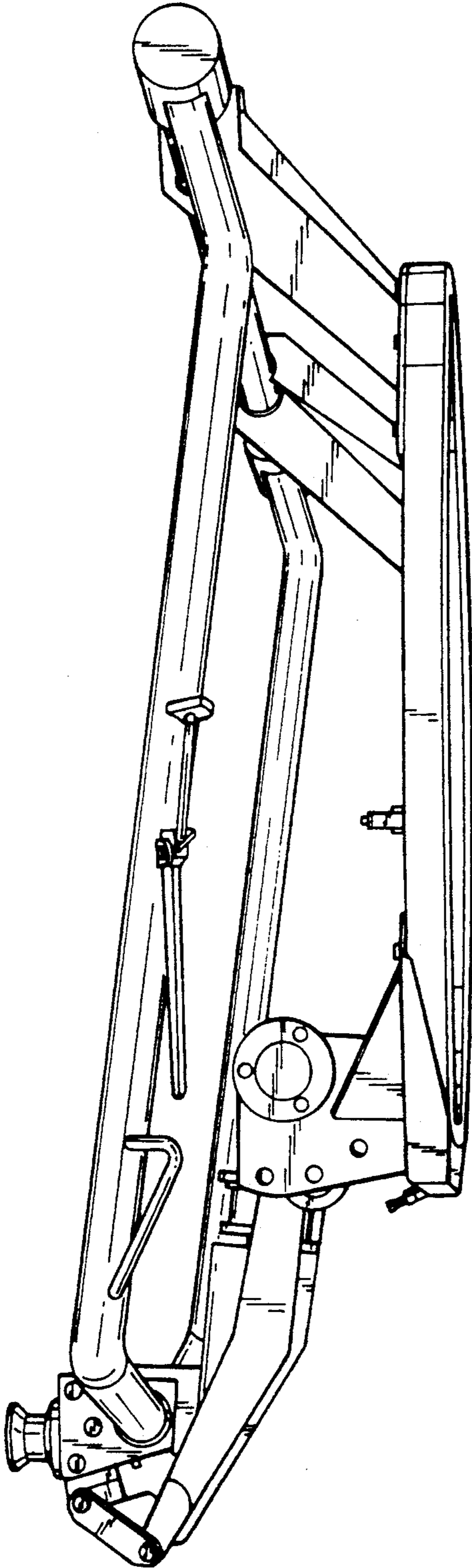


FIG. 5

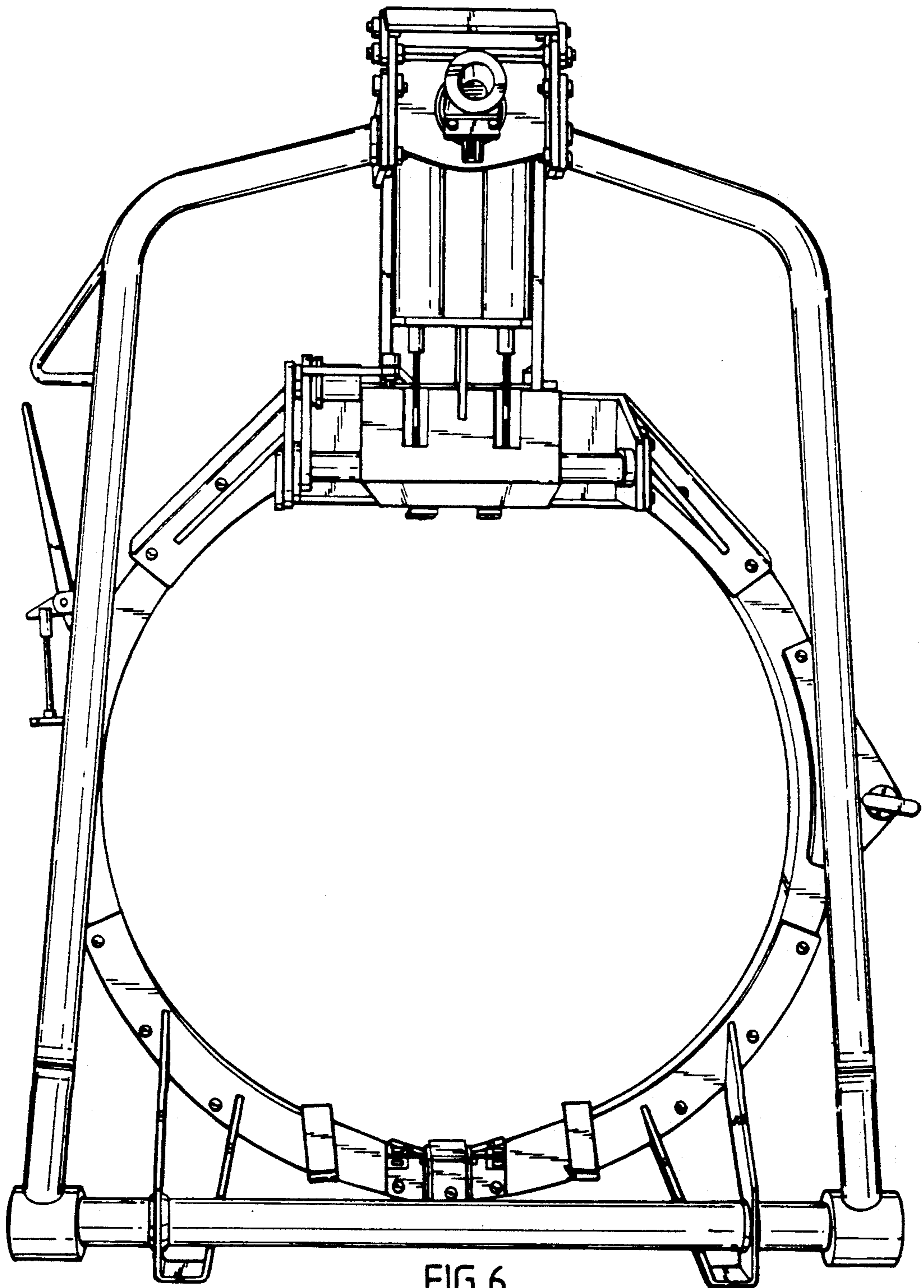


FIG. 6

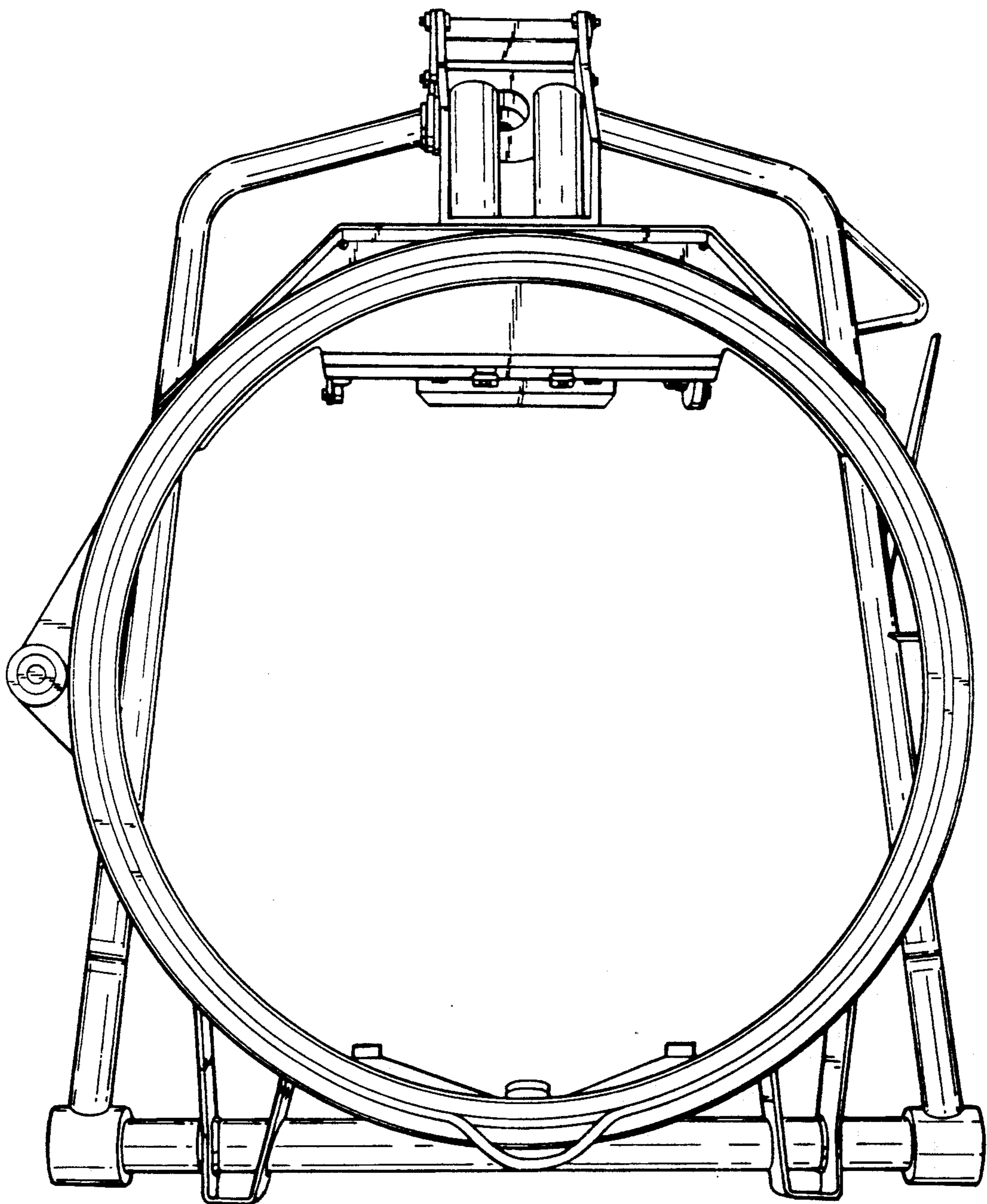


FIG. 7