



US00D331954S

United States Patent [19]
Griffin

[11] **Patent Number: Des. 331,954**

[45] **Date of Patent: ** Dec. 22, 1992**

[54] **EXERCISE CYCLE**

[75] **Inventor: John Griffin, Phoenix, Ariz.**

[73] **Assignee: Hoggan Health Industries, Inc.,
Draper, Utah**

[**] **Term: 14 Years**

[21] **Appl. No.: 408,801**

[22] **Filed: Sep. 19, 1989**

[52] **U.S. Cl. D21/194**

[58] **Field of Search D21/191-199;
272/132, 70.3, 73; 73/379**

[56] **References Cited**

U.S. PATENT DOCUMENTS

- D. 250,284 11/1978 Borck D21/194
- D. 279,811 7/1985 Nakao et al. D21/194

- D. 307,928 5/1990 Meisner D21/194
- D. 309,167 7/1990 Griffin D21/194

*Primary Examiner—Charles A. Rademaker
Attorney, Agent, or Firm—Mallinckrodt & Mallinckrodt*

[57] **CLAIM**

The ornamental design for an exercise cycle, as shown and described.

DESCRIPTION

FIG. 1 is a side elevational view of an exercise cycle showing my new design;
FIG. 2 is a top plan view thereof;
FIG. 3 is a bottom plan view thereof;
FIG. 4 is a front elevational view thereof;
FIG. 5 is a rear elevational view thereof; and,
FIG. 6 is a perspective view of the side opposite that shown in FIG. 1 drawn on a reduced scale.



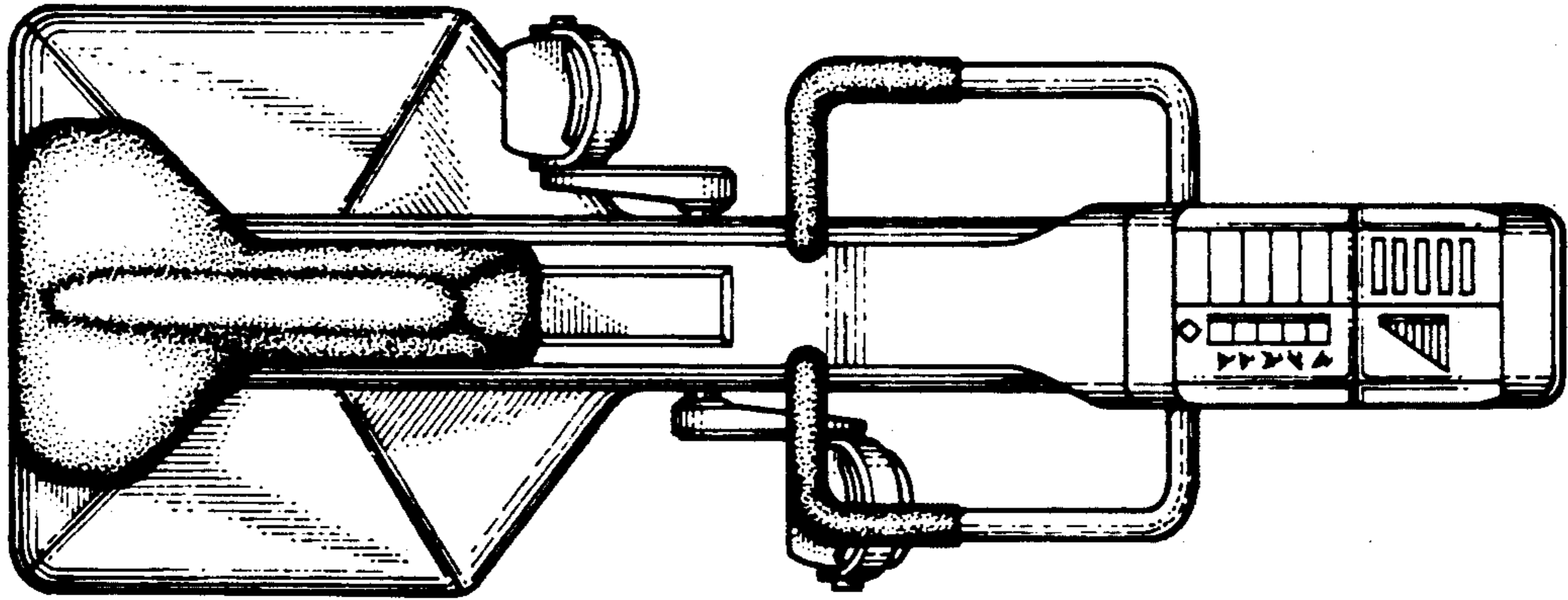


FIG. 2

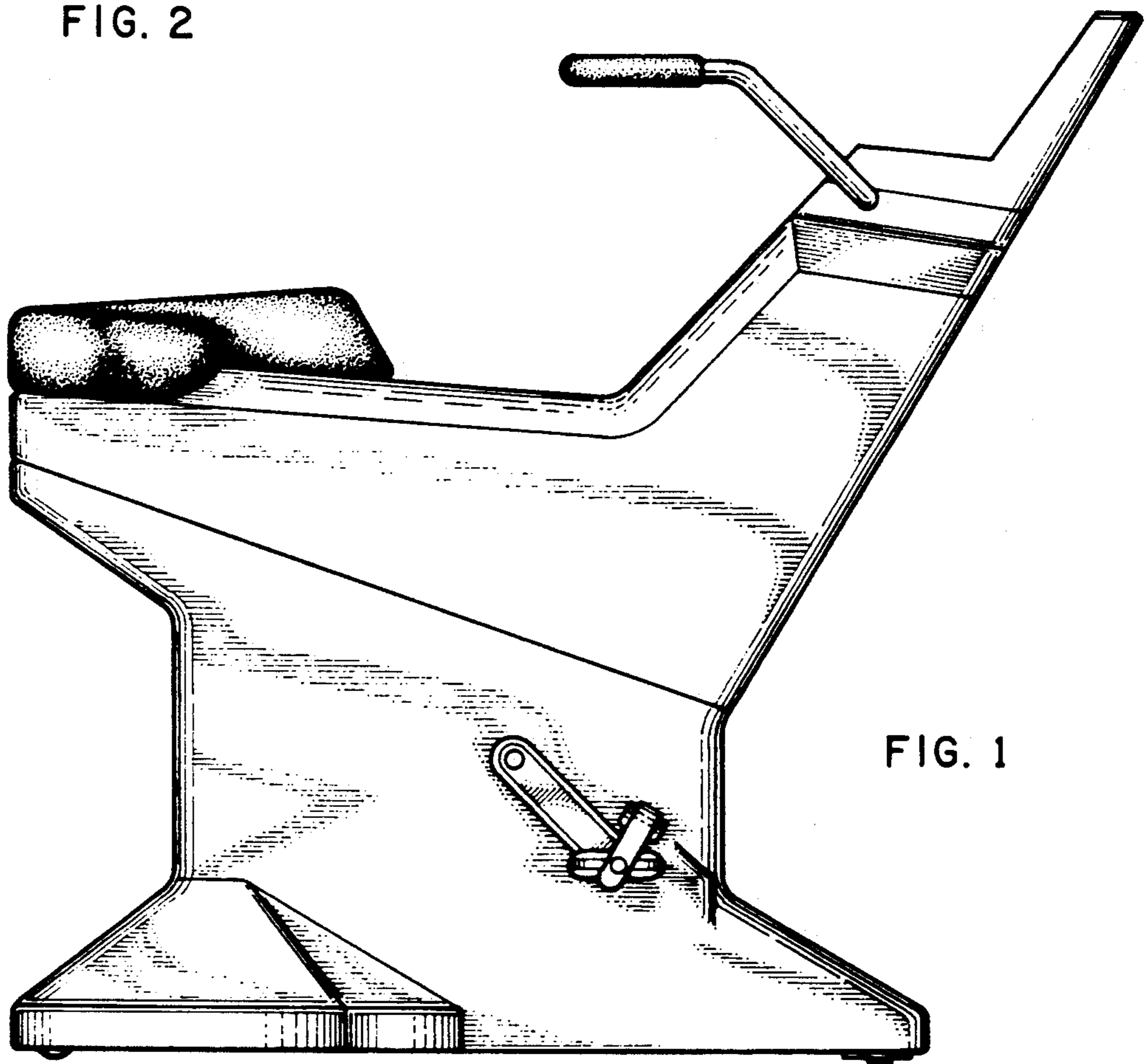


FIG. 1

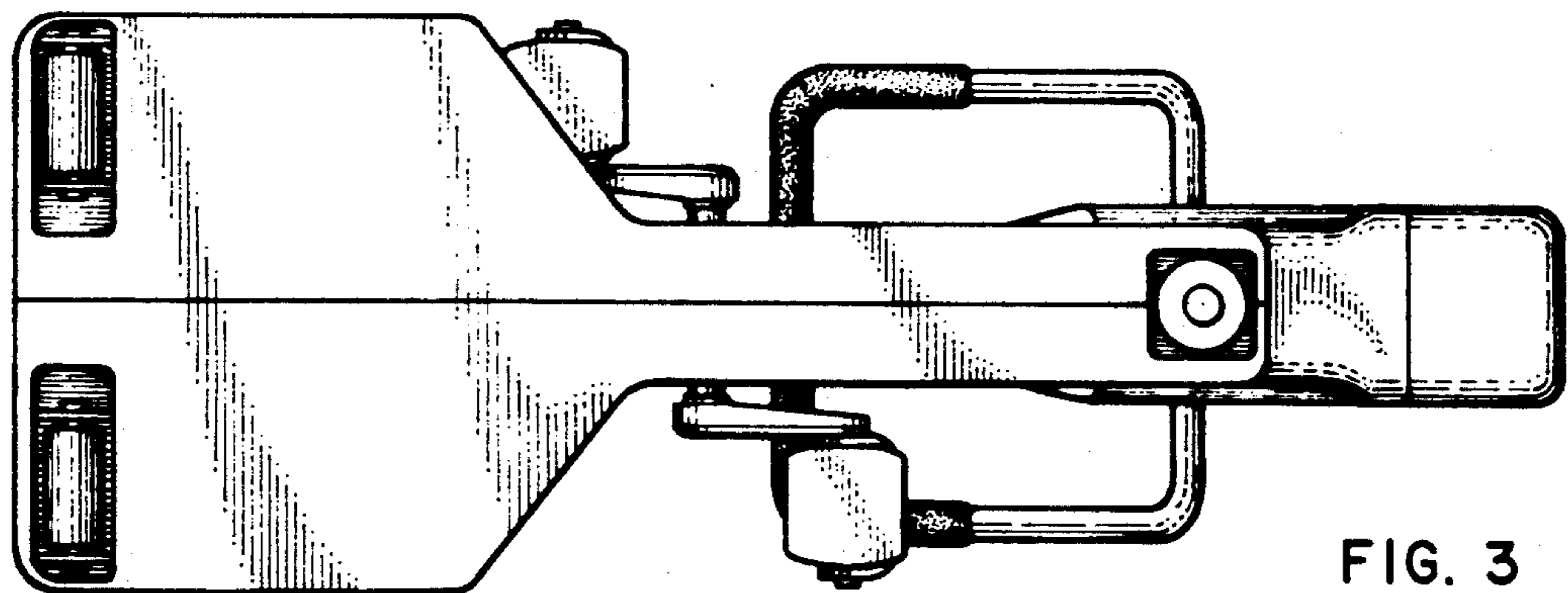


FIG. 3

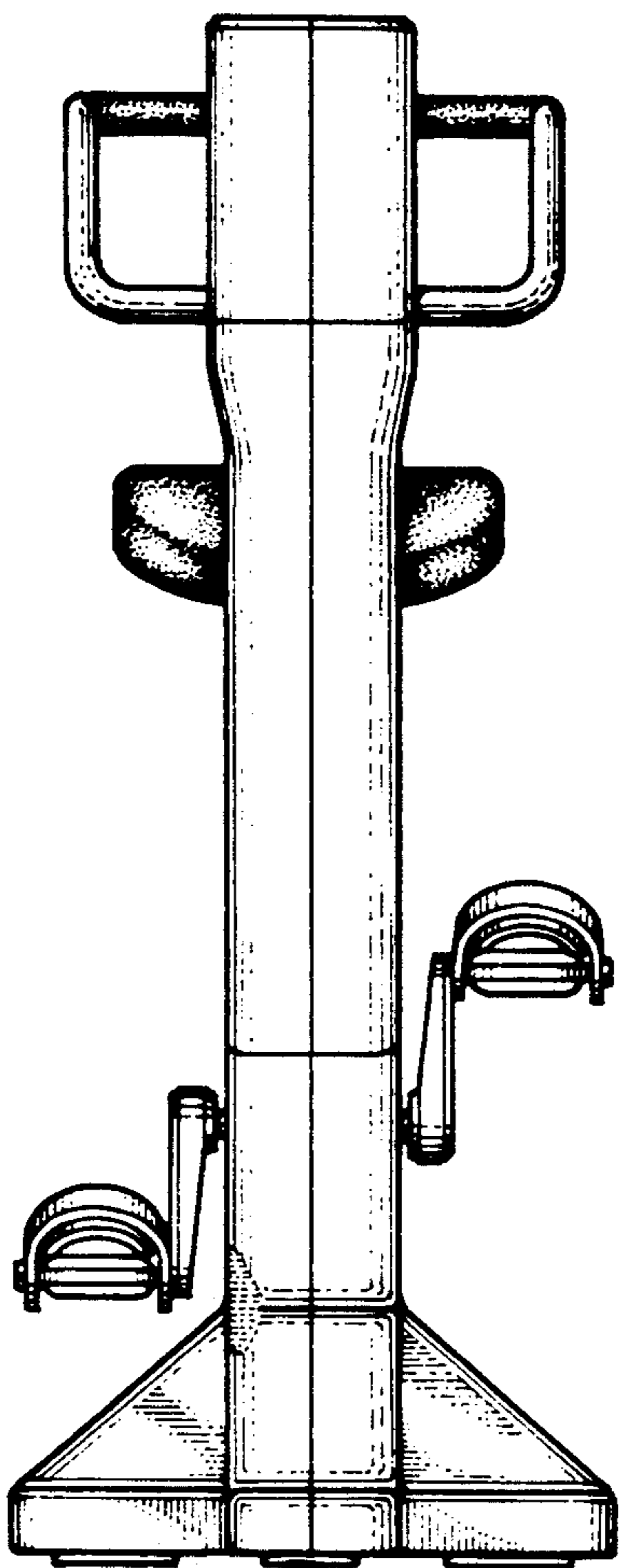


FIG. 4

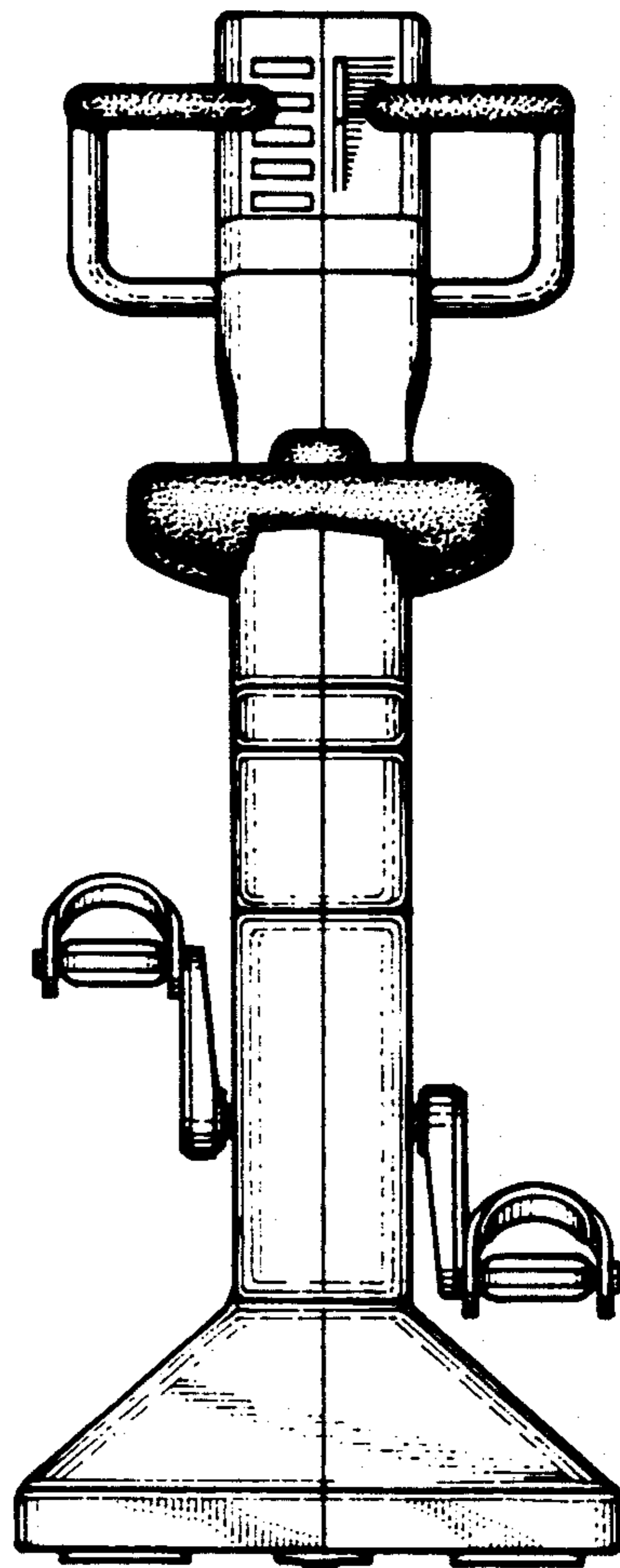


FIG. 5

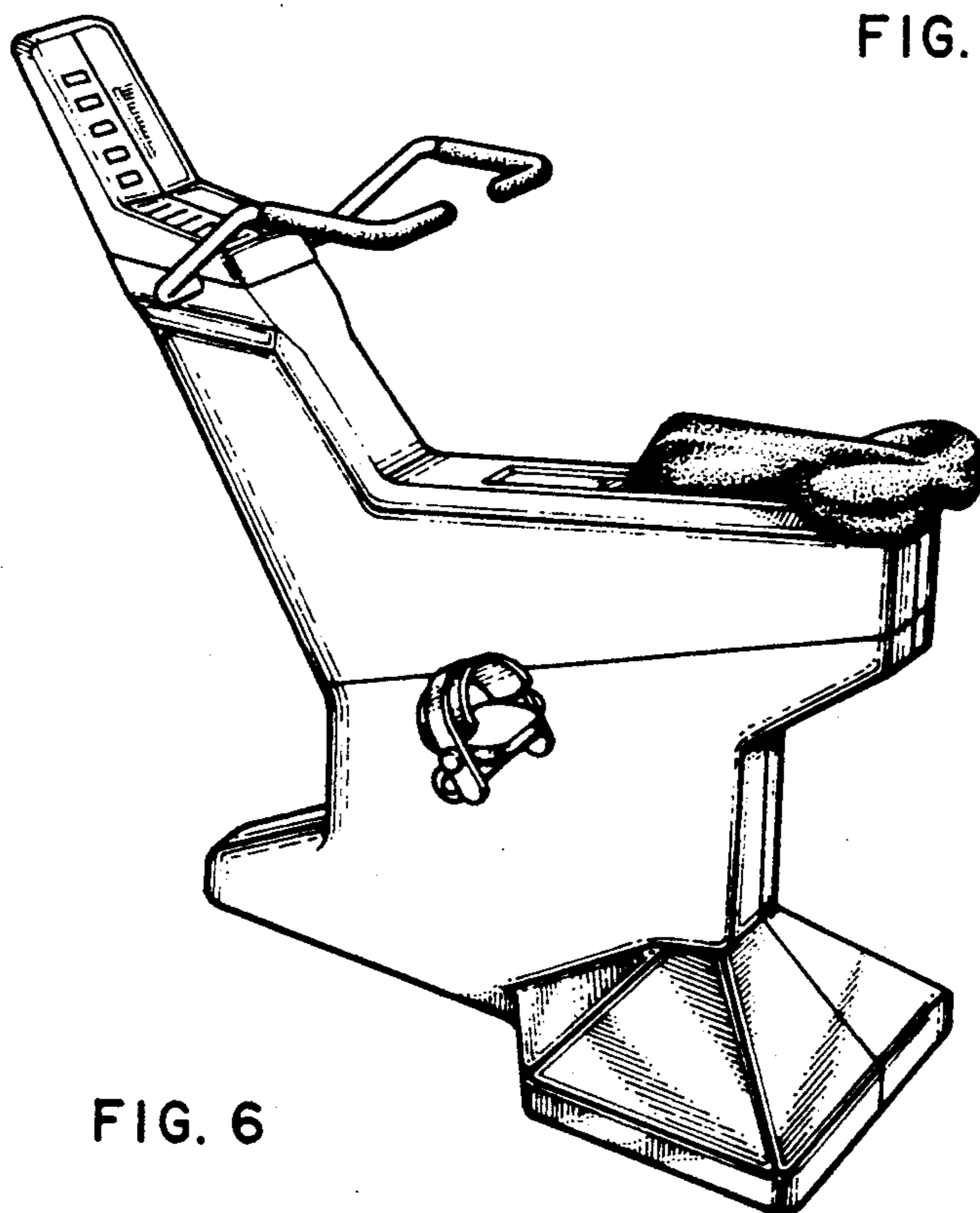


FIG. 6