



US00D331950S

# United States Patent [19]

[11] Patent Number: **Des. 331,950**

**Baker**

[45] Date of Patent: **\*\* Dec. 22, 1992**

[54] TOY BIKE WASH

D. 285,959 9/1986 Figueroa ..... D23/213  
4,356,657 11/1982 Goldfarb et al. .... 446/424

[76] Inventor: **Ellis L. Baker**, 629 Bur Oak Dr.,  
Irving, Tex. 75060

*Primary Examiner*—Melvin B. Feifer  
*Attorney, Agent, or Firm*—Leon Gilden

[\*\*] Term: **14 Years**

[57] **CLAIM**

[21] Appl. No.: **480,501**

The ornamental design for a toy bike wash, as shown  
and described.

[22] Filed: **Feb. 15, 1990**

[52] U.S. Cl. .... **D21/59**

[58] Field of Search ..... D21/59, 109; D23/201,  
D23/200, 283, 214, 219, 213; D32/4, 1;  
446/424

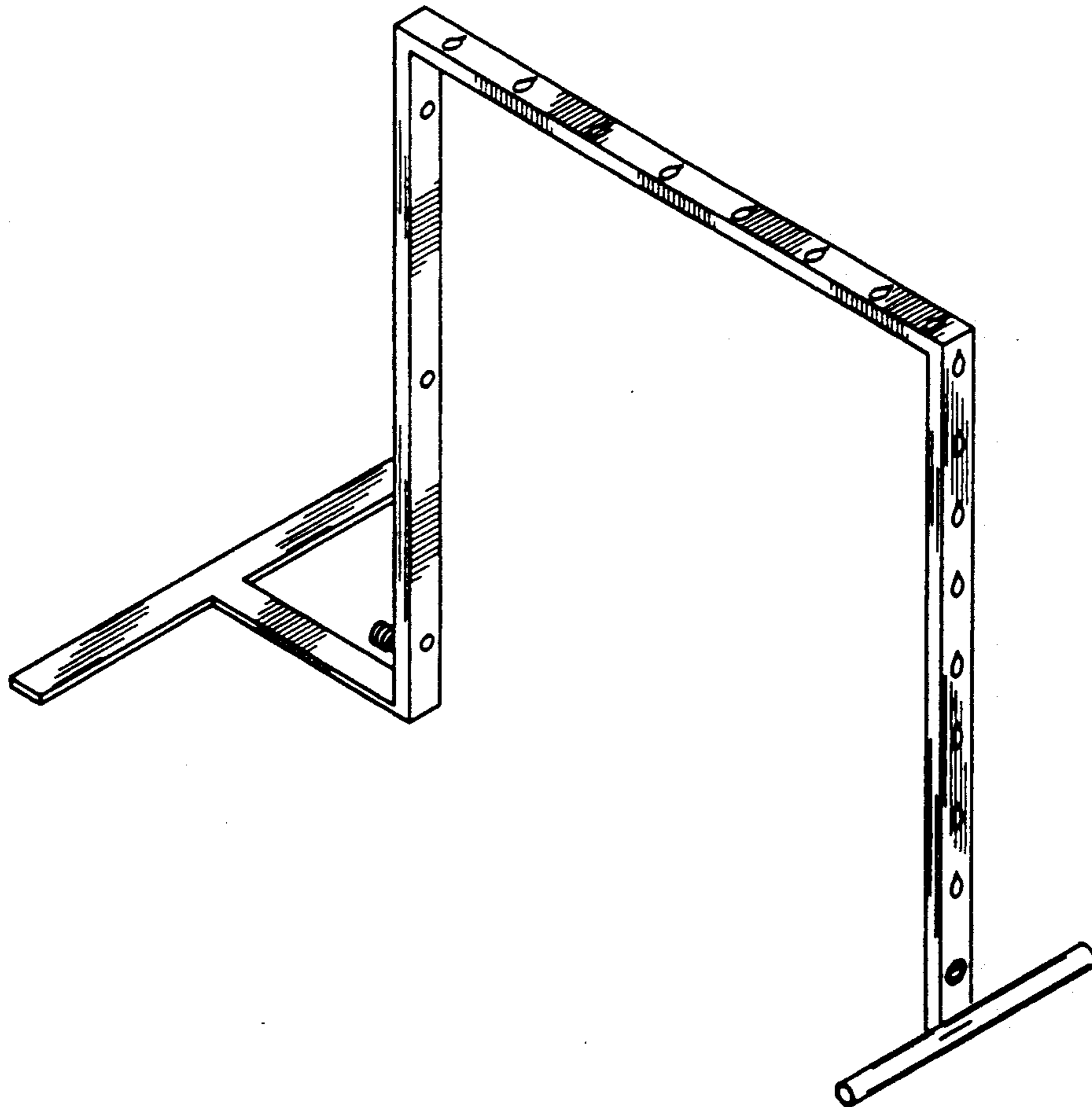
**DESCRIPTION**

[56] **References Cited**

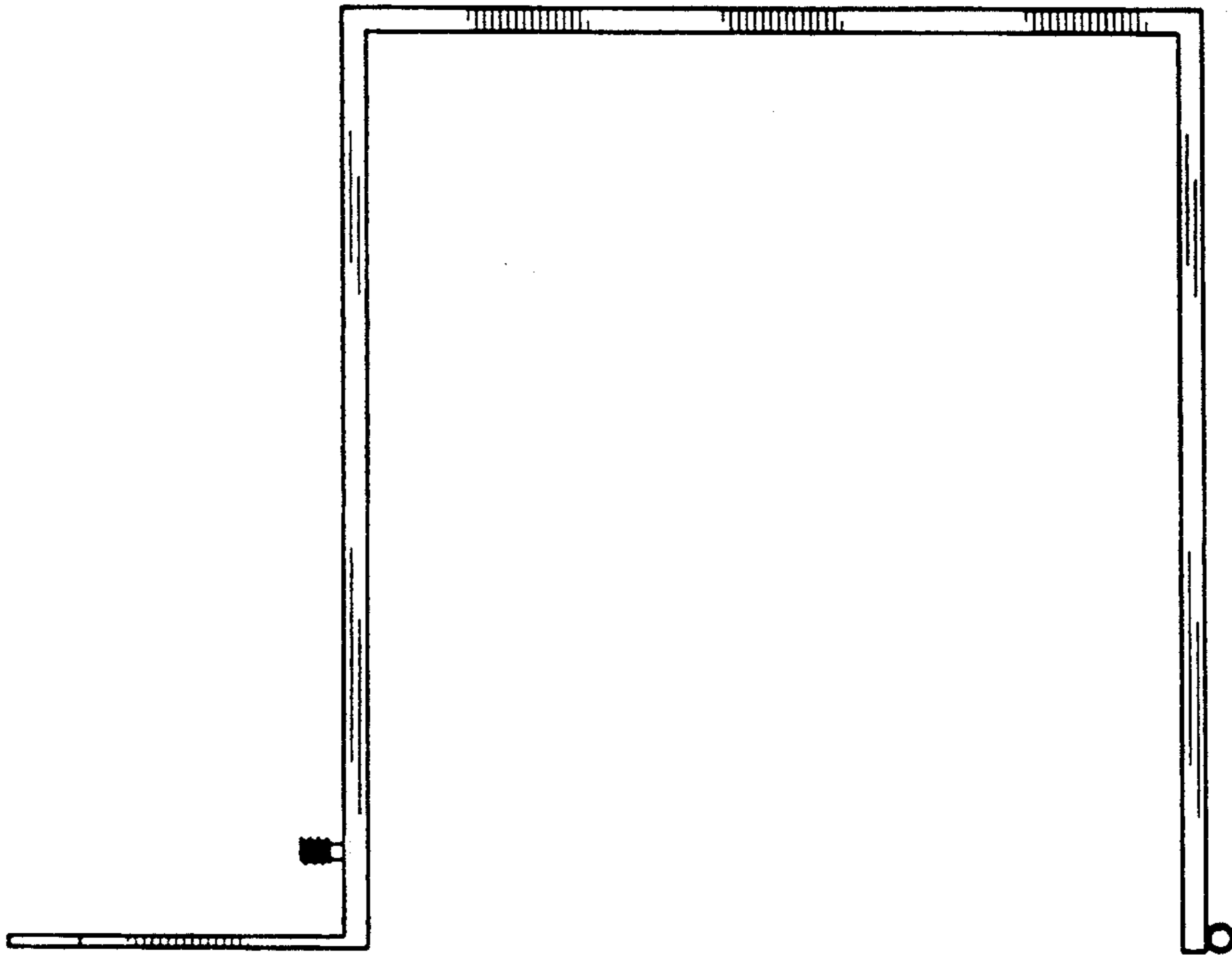
**U.S. PATENT DOCUMENTS**

- D. 232,089 7/1974 Margrill ..... D23/201
- D. 256,610 8/1980 Belkir ..... D23/213
- D. 279,942 8/1985 Vasquez et al. .... D6/332

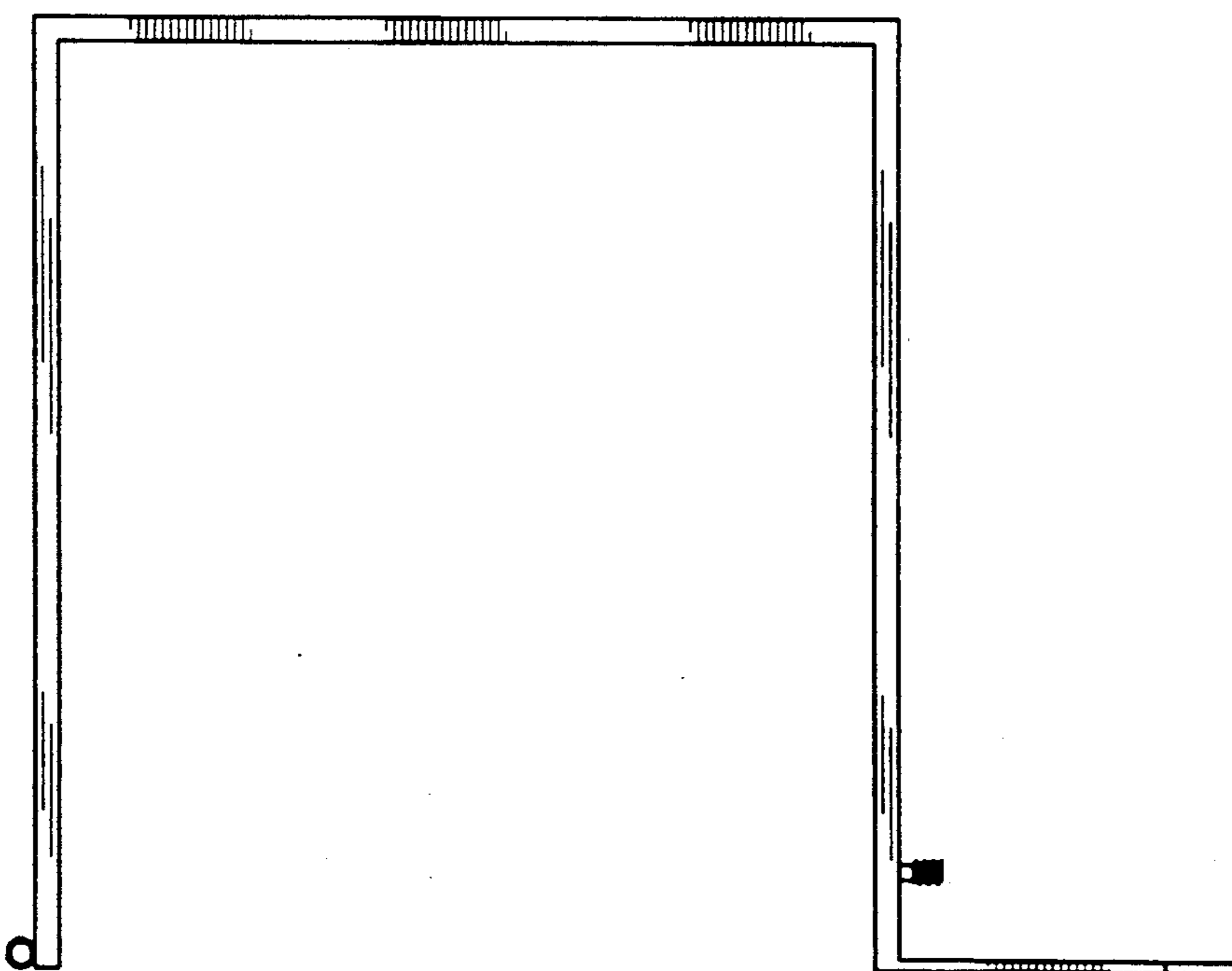
- FIG. 1 is a front elevational view of the toy bike wash showing my new design;
- FIG. 2 is a rear elevational view thereof;
- FIG. 3 is a left side elevational view thereof;
- FIG. 4 is a right side elevational view thereof;
- FIG. 5 is a top plan view thereof;
- FIG. 6 is a bottom plan view thereof; and,
- FIG. 7 is a perspective view thereof.



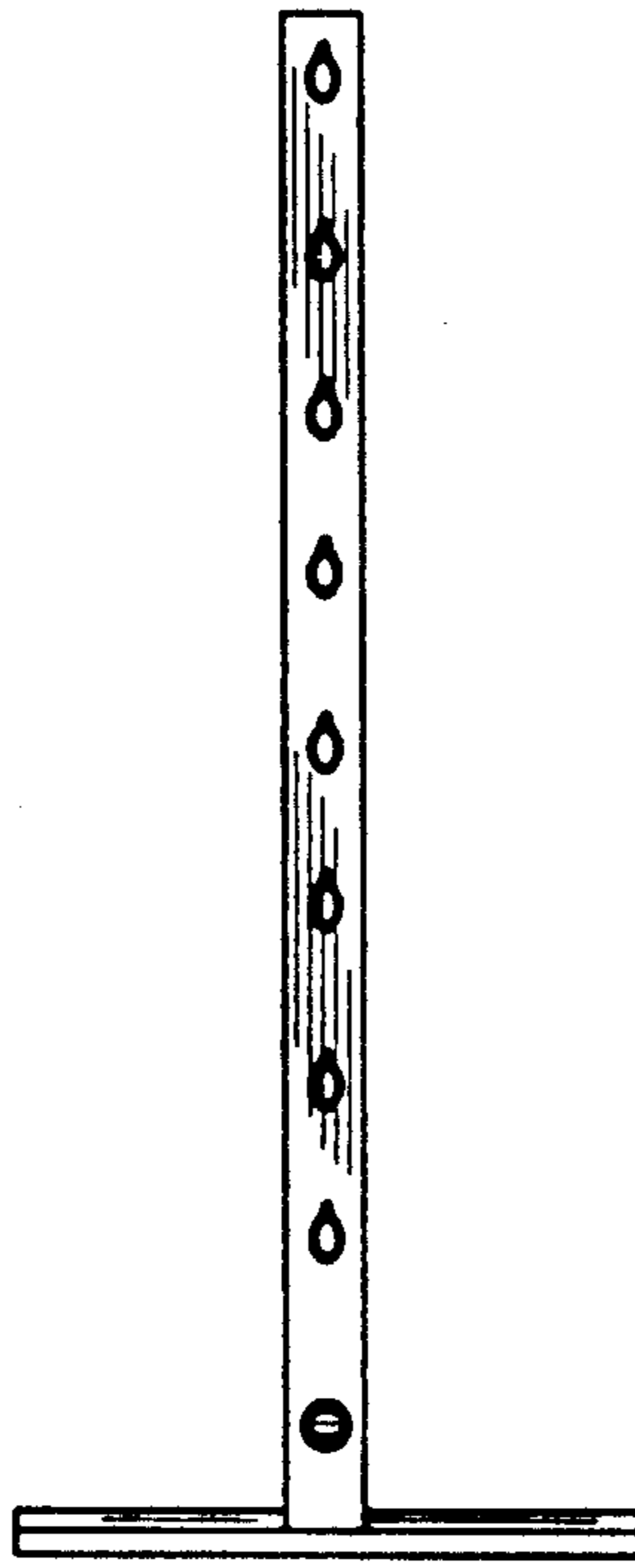
*FIG. 1*



*FIG. 2*



*FIG. 3*



*FIG. 4*

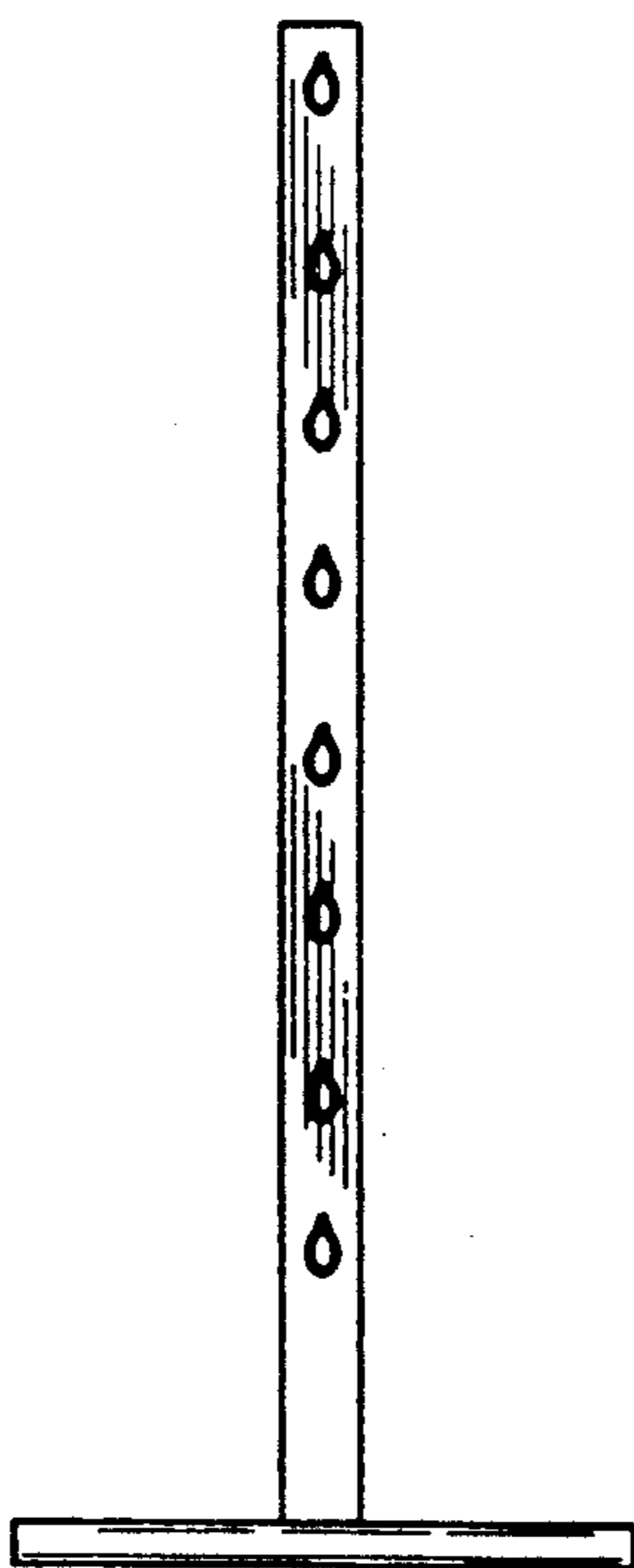


FIG. 5

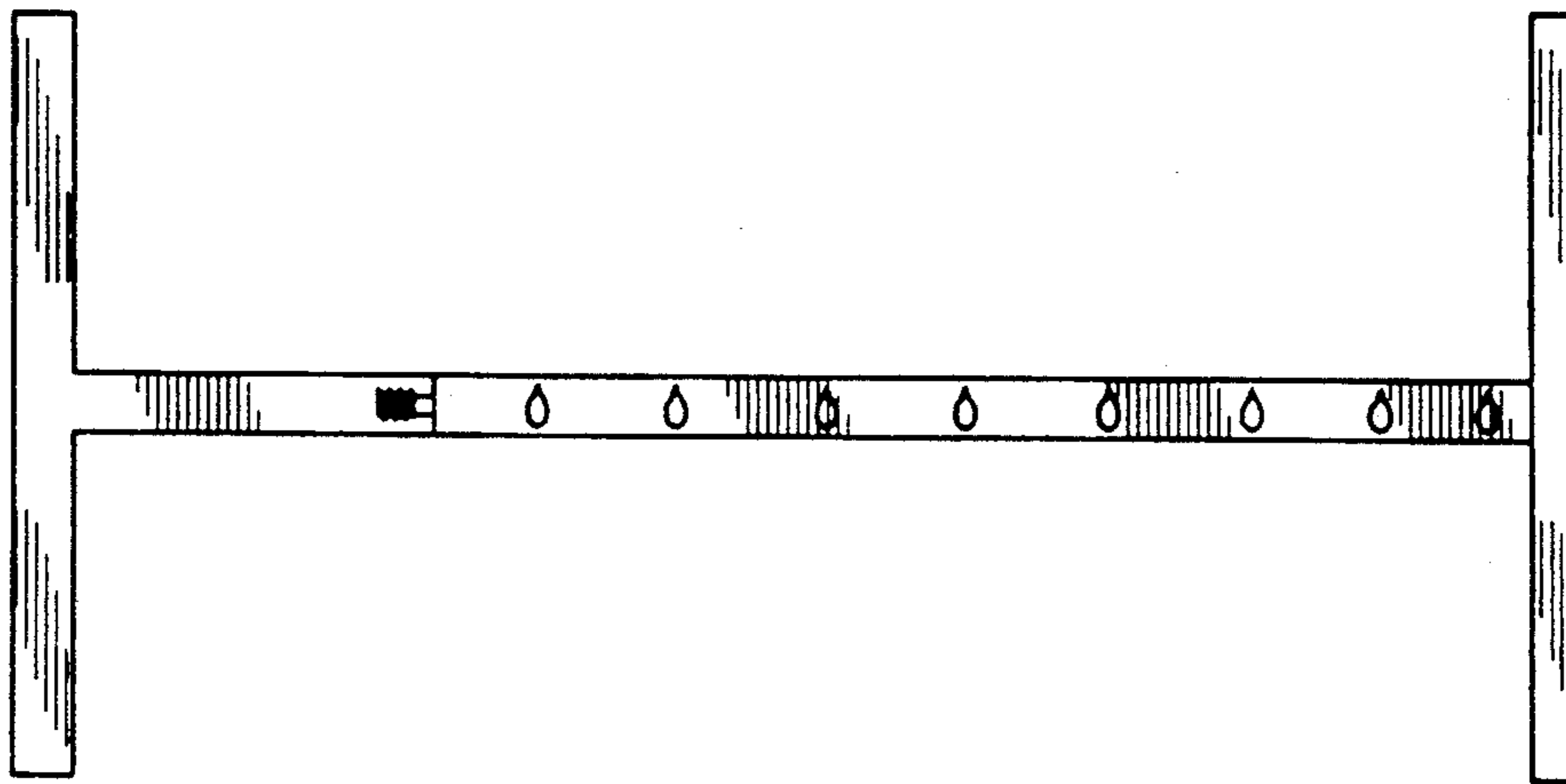


FIG. 6

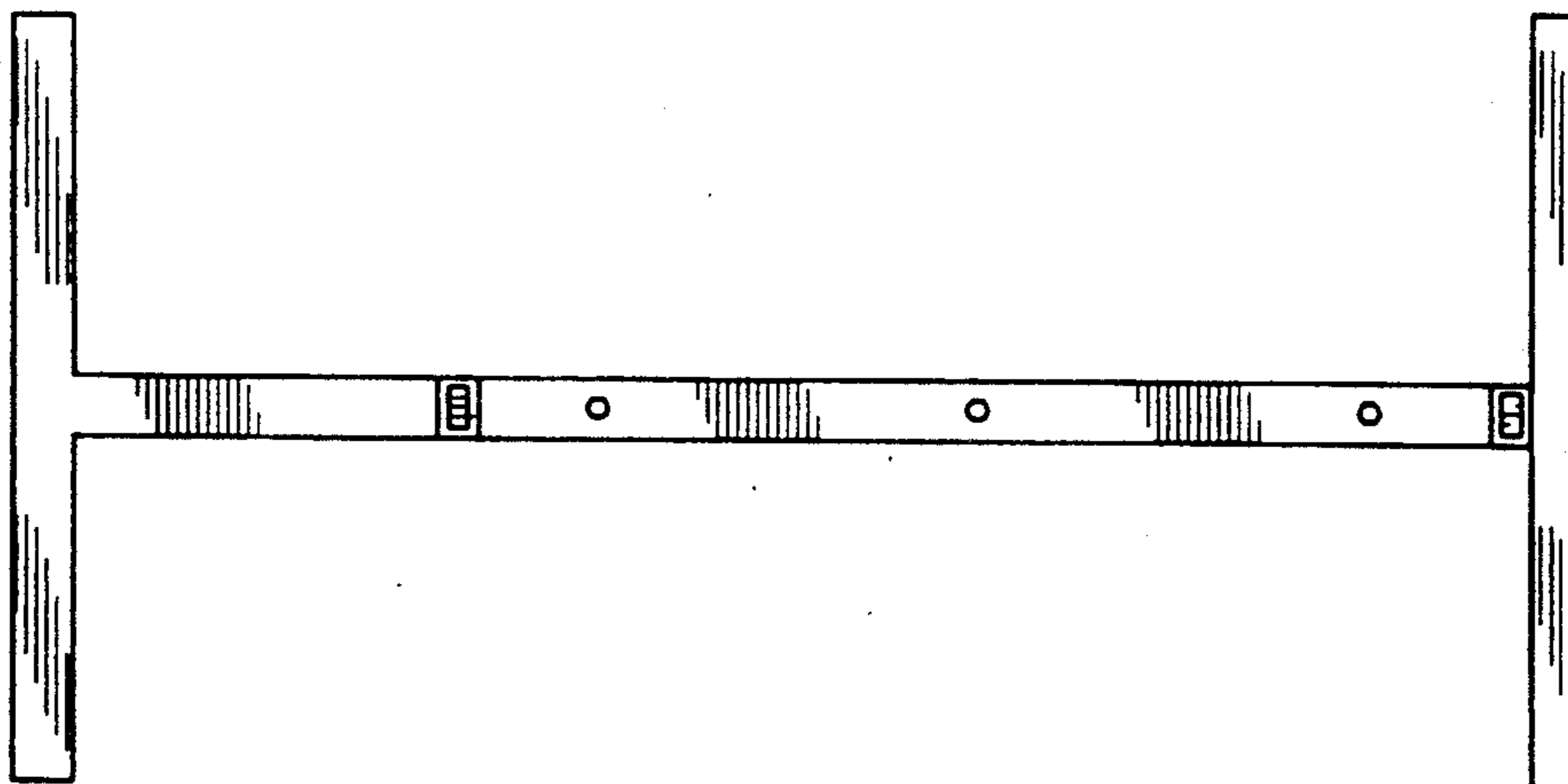


FIG. 7

