



US00D331943S

# United States Patent [19] Mark

[11] Patent Number: **Des. 331,943**  
[45] Date of Patent: **\*\* Dec. 22, 1992**

[54] LABEL STRIPPING HEAD  
[76] Inventor: **Phillip Mark**, 4827 8th Ave., Blvd.  
West, Palmetto, Fla. 34622  
[\*\*] Term: **14 Years**  
[21] Appl. No.: **441,061**  
[22] Filed: **Nov. 20, 1989**  
[52] U.S. Cl. .... **D19/99; D19/69**  
[58] Field of Search ..... **D19/65, 67, 68, 69,**  
**D19/99, 100; D18/34, 99; 221/73; 225/6, 19,**  
**34, 45, 56, 65, 77, 89**

3,698,600 10/1972 Foot ..... 221/73 X  
4,954,210 9/1990 Desmond ..... 221/73 X  
4,993,586 2/1991 Taulbee et al. .... 221/73 X

### FOREIGN PATENT DOCUMENTS

677070 8/1952 United Kingdom ..... 221/73

*Primary Examiner*—Nelson C. Holtje  
*Assistant Examiner*—Martha Thompson  
*Attorney, Agent, or Firm*—Joseph F. Long

### [57] CLAIM

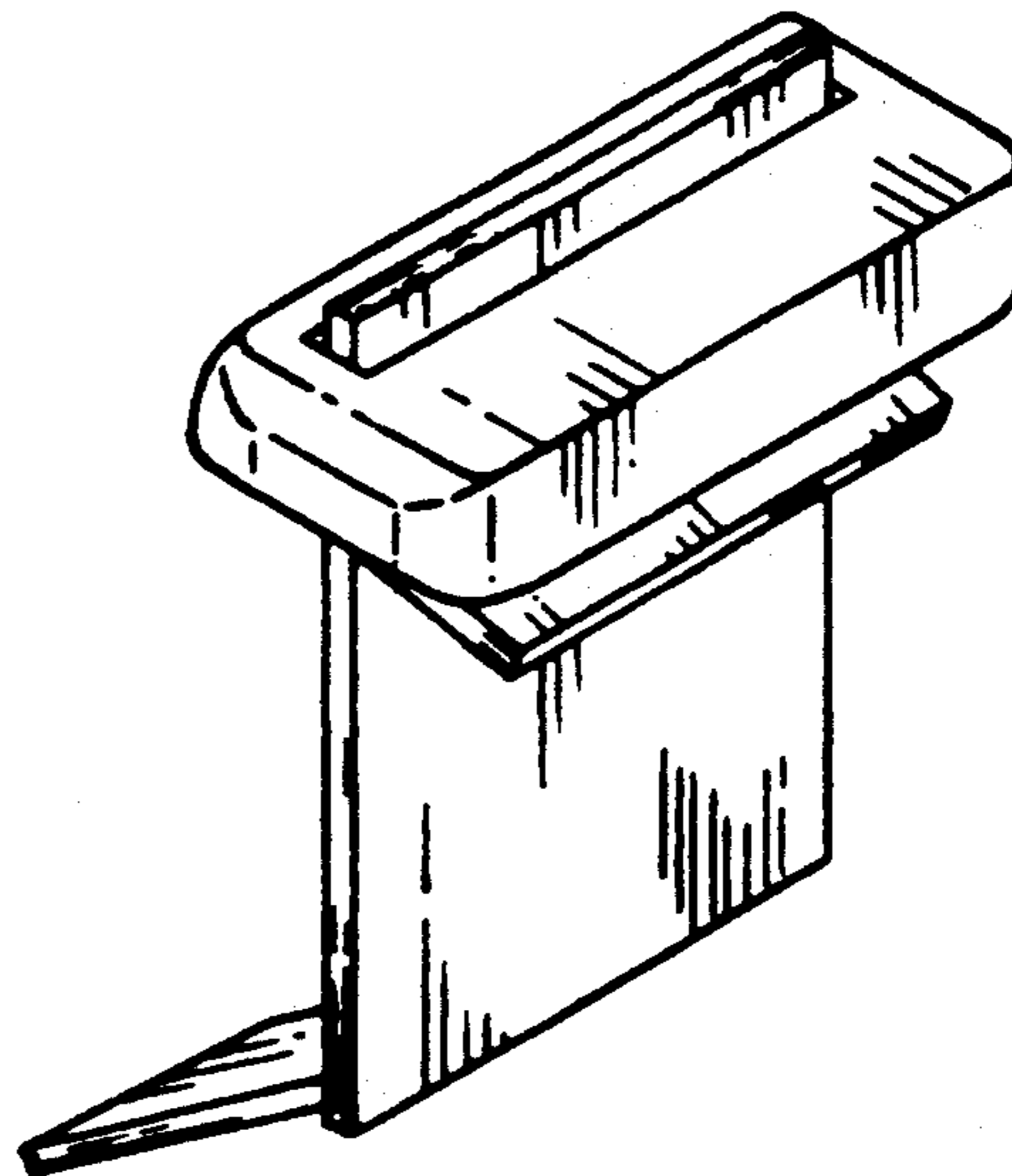
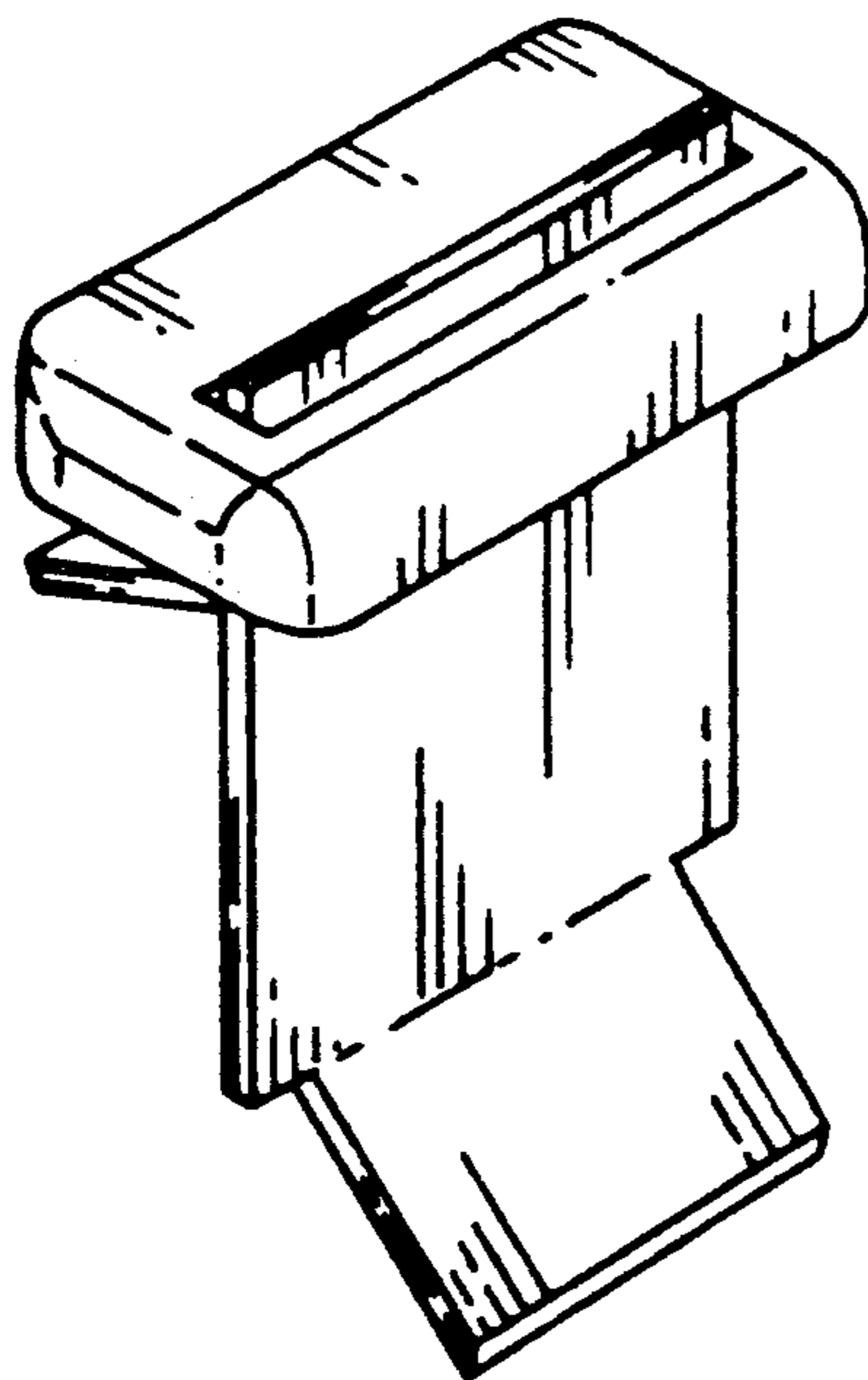
The ornamental design for a label stripping head, as shown and described.

### DESCRIPTION

FIG. 1 is a front perspective view of a label stripping head showing my new design;  
FIG. 2 is a rear perspective view;  
FIG. 3 is a right side elevational view, the left side being a mirror image thereof;  
FIG. 4 is a top plan view; and,  
FIG. 5 is a bottom plan view thereof.  
The dispenser unit depicted by means of broken lines in the FIG. 3 view is shown for illustrative purposes only and forms no part of the claimed design.

### [56] References Cited U.S. PATENT DOCUMENTS

D. 170,456 9/1953 Gershen ..... D19/69 X  
D. 304,841 11/1989 Horger ..... D19/69  
2,373,092 4/1945 Avery ..... 225/6  
3,107,814 10/1963 Auger et al. .... D19/69 X  
3,222,242 12/1965 Ingalls et al. .... 221/73  
3,369,952 2/1968 Reiger ..... 221/73  
3,388,830 6/1968 Short ..... 221/73  
3,487,977 1/1970 Andersson ..... 221/73  
3,653,539 4/1972 Stageberg ..... 221/73





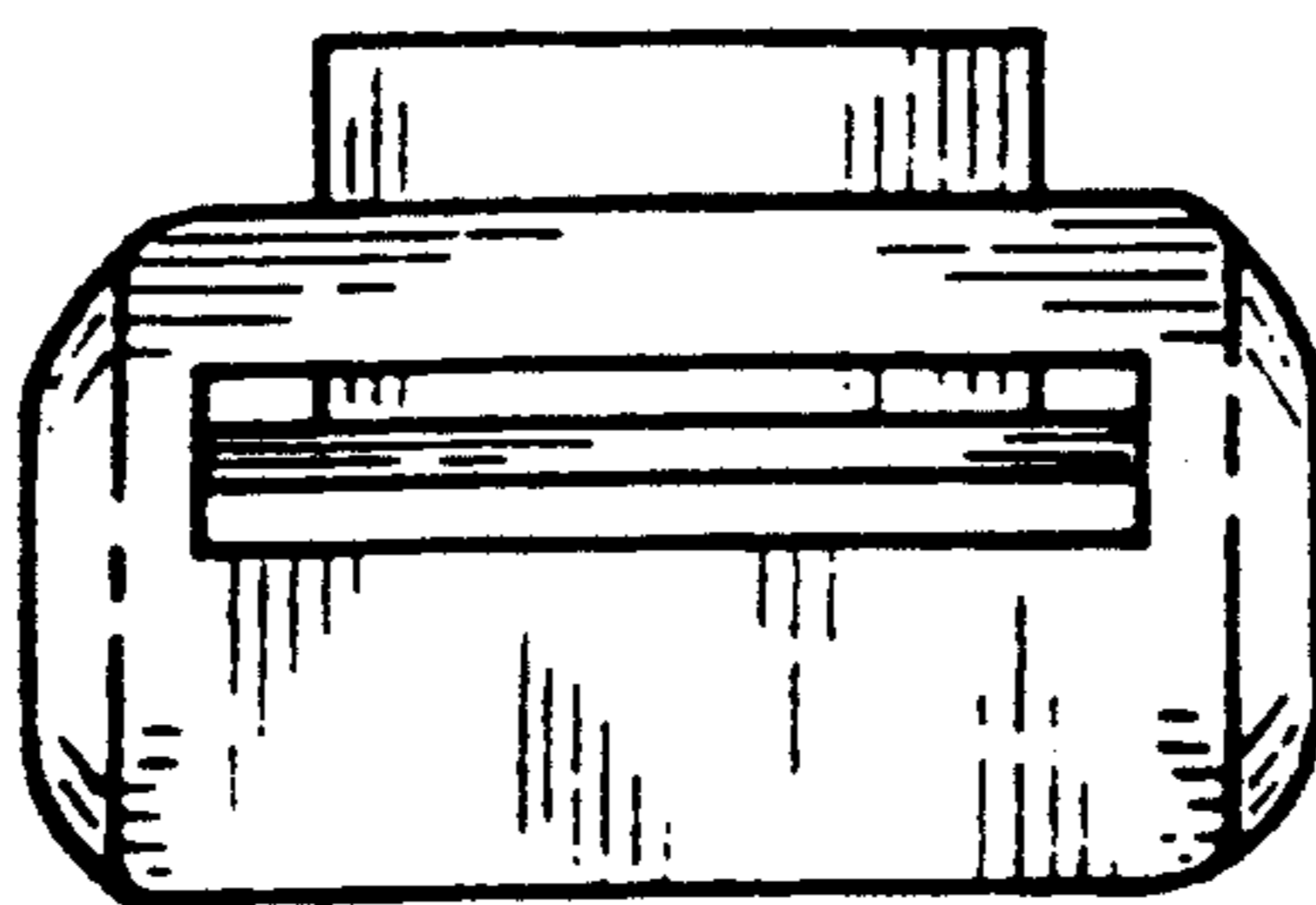


FIG. 4

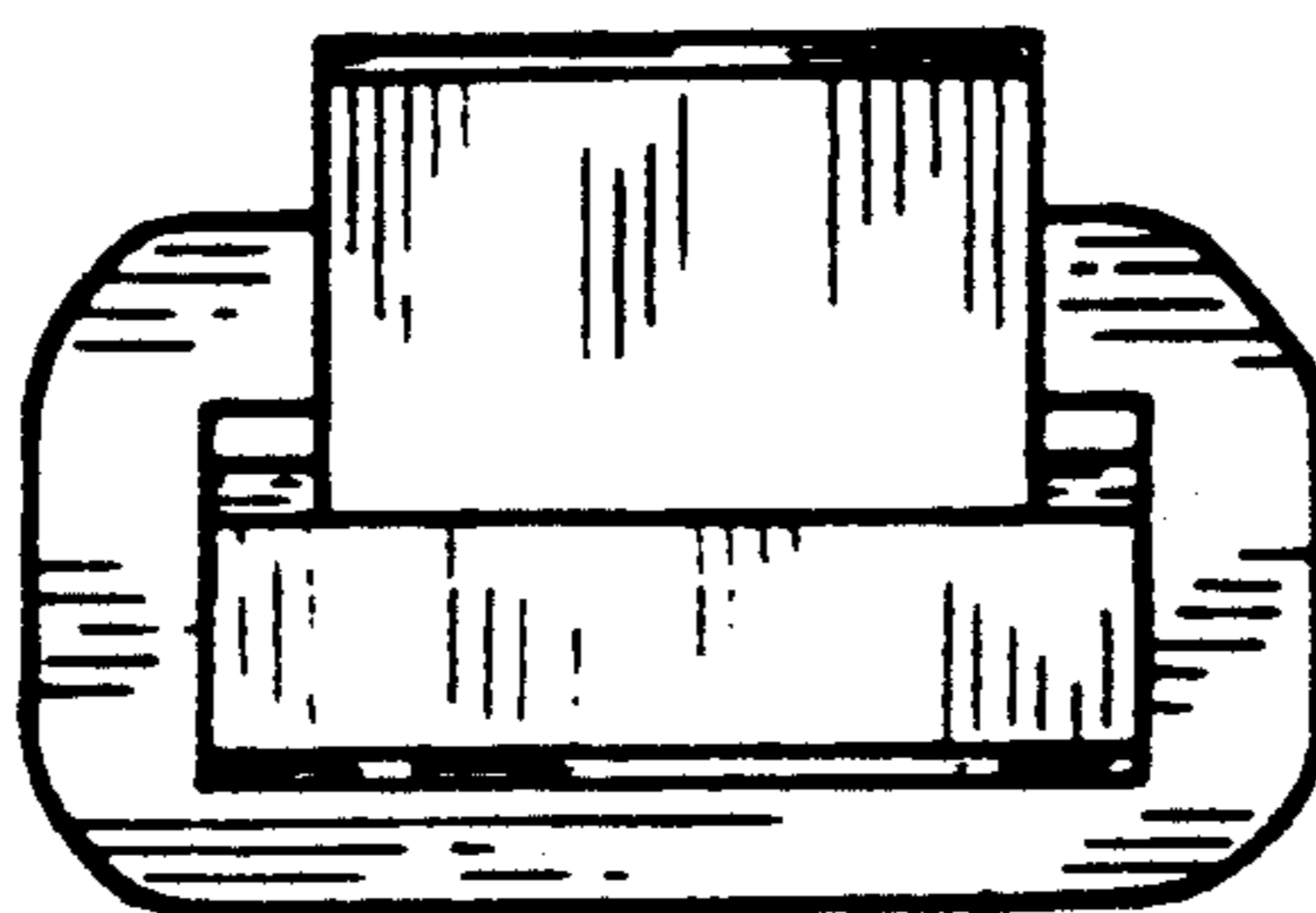


FIG. 5