



US00D331942S

United States Patent [19]

[11] Patent Number: **Des. 331,942**

Kirchner

[45] Date of Patent: **** Dec. 22, 1992**

[54] **ORGANIZER TRAY FOR ASSORTED DESK ARTICLES**

[56] **References Cited**

[75] Inventor: **Balthasar Kirchner, Eferding, Austria**

U.S. PATENT DOCUMENTS

- D. 67,588 6/1925 Falder D19/75 X
- D. 184,013 12/1958 Jarvi D19/92
- D. 189,489 12/1960 Jackson D19/75 X
- D. 245,783 9/1977 Fieni D19/75
- D. 247,647 3/1978 Huber D19/77 X
- D. 266,675 10/1982 Polhemus et al. D19/75 X
- D. 301,590 6/1989 Foran et al. D19/77
- D. 317,180 5/1991 Leszczak D19/75 X

[73] Assignee: **Ernst Stadelmann Gesellschaft m.b.H., Eferding, Austria**

[**] Term: **14 Years**

Primary Examiner—Nelson C. Holtje
Assistant Examiner—Martha Thompson
Attorney, Agent, or Firm—Herbert Dubno; Ronald Lianides

[21] Appl. No.: **569,454**

[22] Filed: **Aug. 17, 1990**

[30] **Foreign Application Priority Data**

- Feb. 22, 1990 [AT] Austria 27886
- Feb. 22, 1990 [AT] Austria 27887
- Feb. 22, 1990 [AT] Austria 27888
- Feb. 22, 1990 [AT] Austria 27889
- Feb. 22, 1990 [AT] Austria 27890
- Feb. 22, 1990 [AT] Austria 27891
- Feb. 22, 1990 [AT] Austria 27892

[57] **CLAIM**

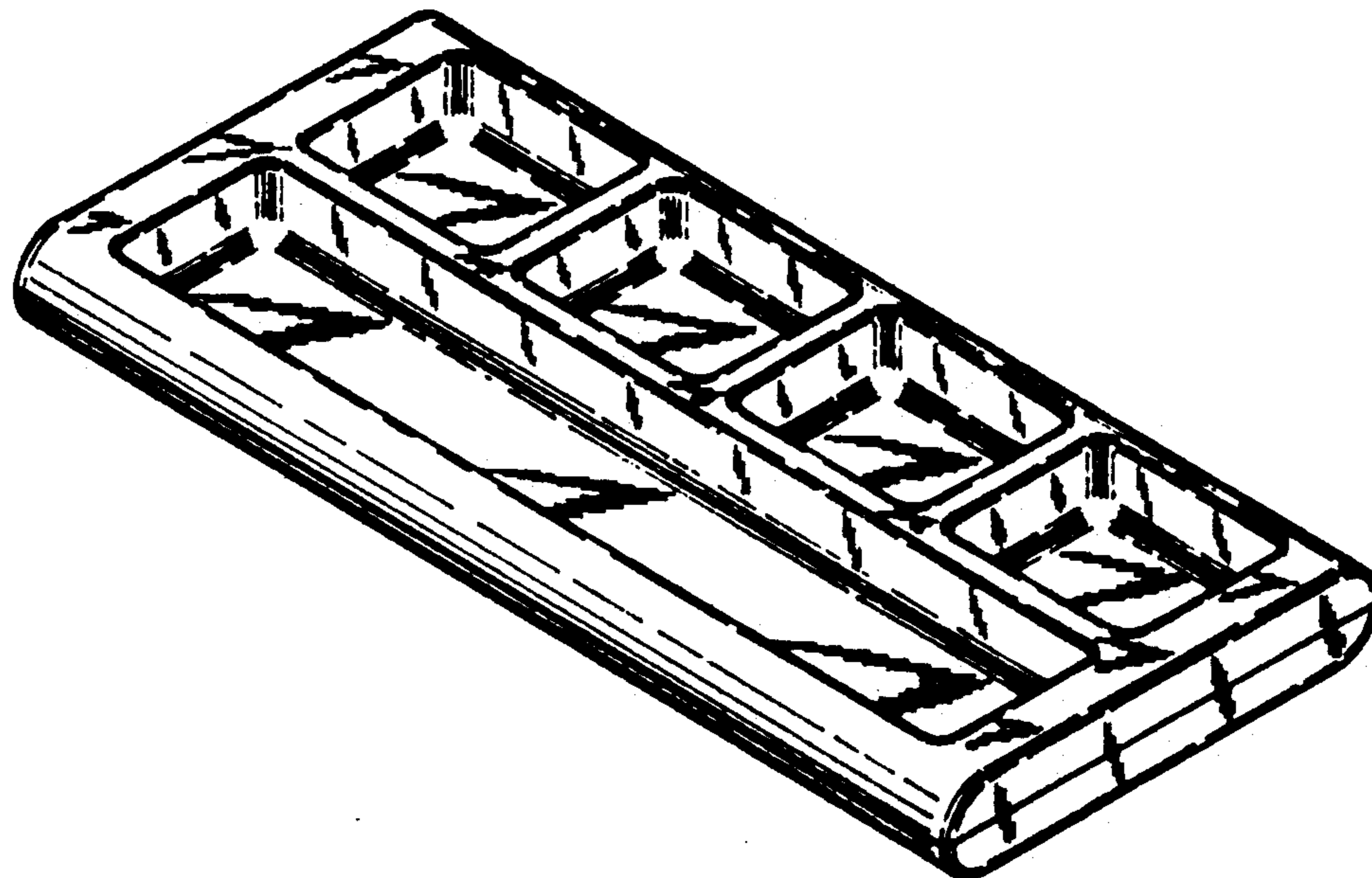
The ornamental design for an organizer tray for assorted desk articles, as shown and described.

[52] U.S. Cl. **D19/78; D19/75; D19/77; D19/92**

DESCRIPTION

[58] Field of Search **D3/74, 30.1; D19/65, D19/75, 77, 78, 81-85, 86, 92, 95, 99, 100; 206/214, 224, 371, 1.7-1.9; 211/69.1-69.9**

FIG. 1 is a top plan view of an organizer tray for assorted desk articles showing my new design;
FIG. 2 is a bottom plan view thereof;
FIG. 3 is a front elevational view thereof, the rear view being identical thereto;
FIG. 4 is a side elevational view, the side opposite being identical thereto; and,
FIG. 5 is a top, front perspective view thereof.



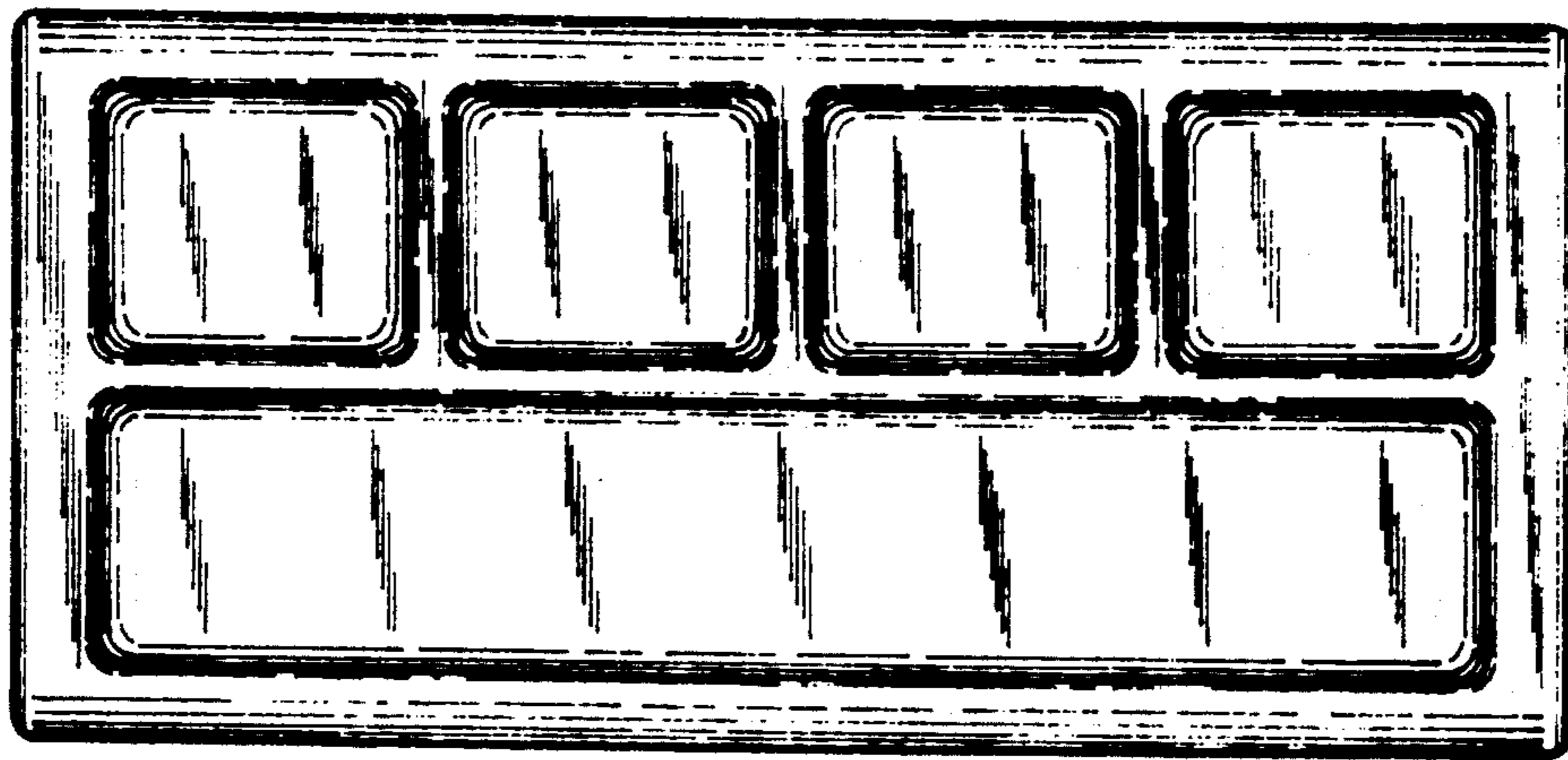


FIG. 1

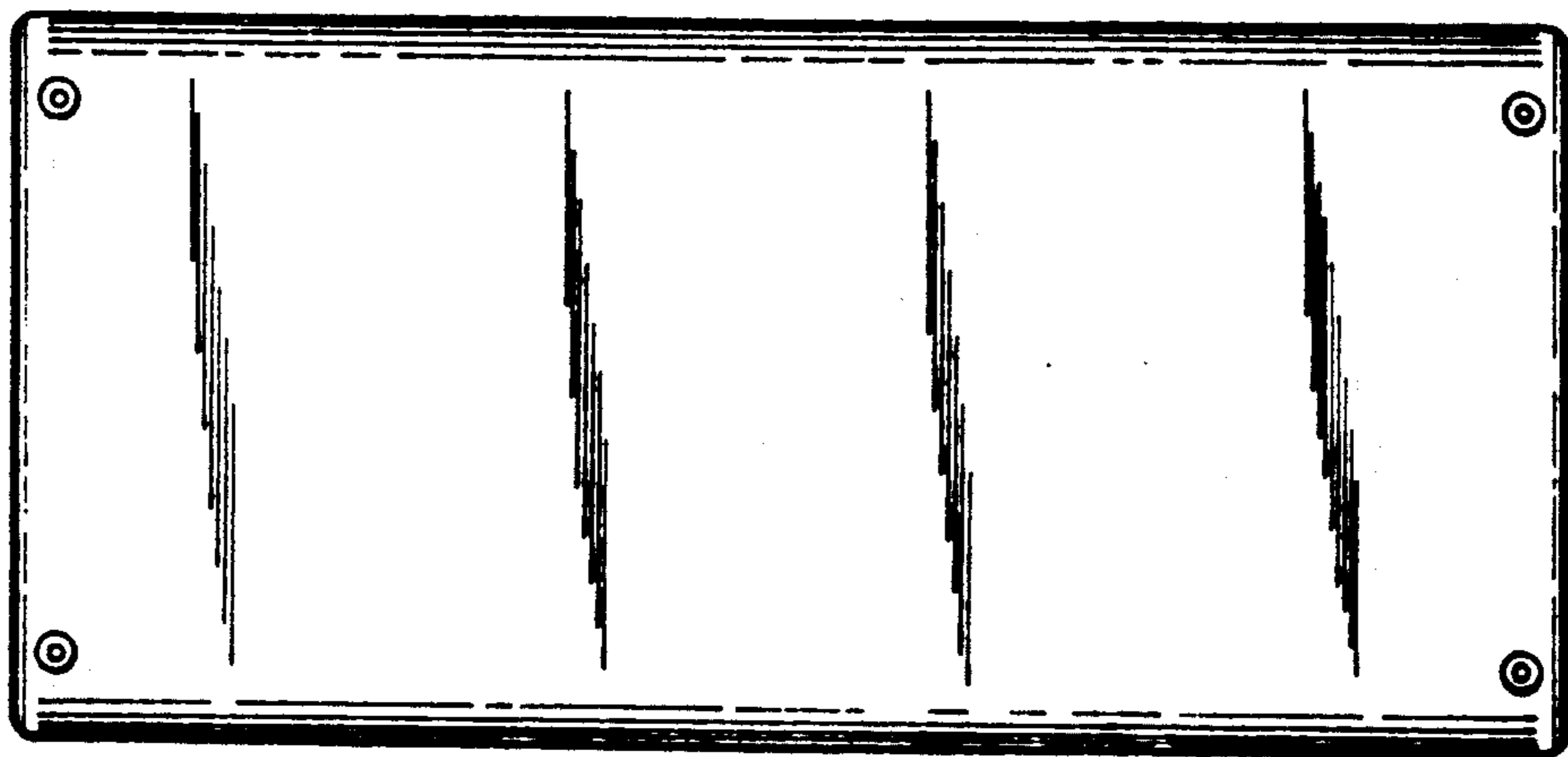


FIG. 2

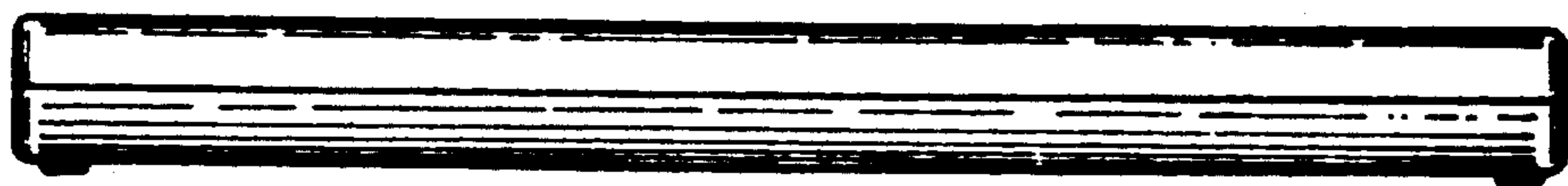


FIG. 3

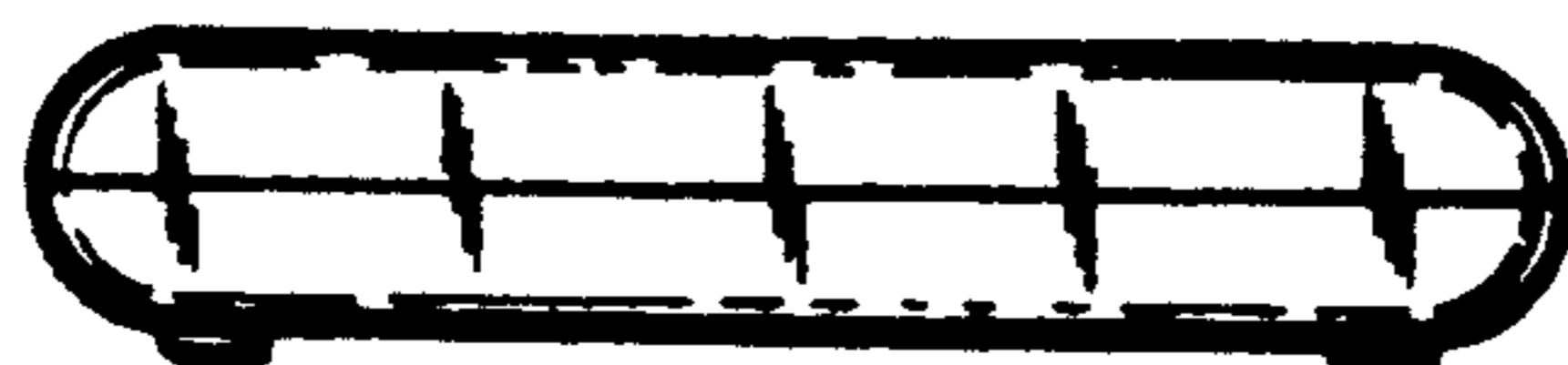


FIG. 4

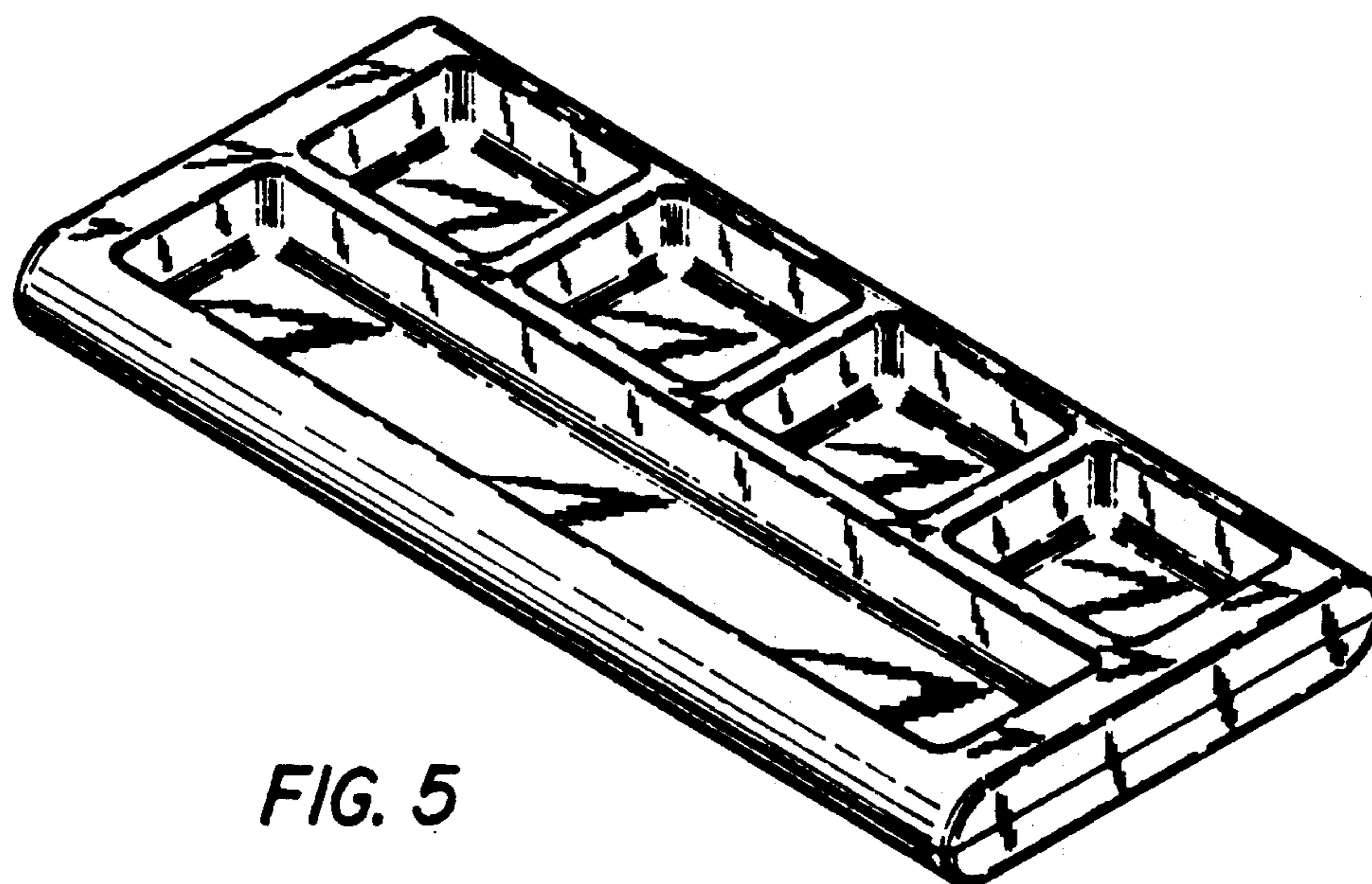


FIG. 5