



US00D331938S

United States Patent [19]

[11] Patent Number: **Des. 331,938**

Morozumi

[45] Date of Patent: **** Dec. 22, 1992**

[54] **INK RIBBON CARTRIDGE**

[56] **References Cited**

[75] Inventor: **Choji Morozumi, Nagano, Japan**

U.S. PATENT DOCUMENTS

- D. 275,499 9/1984 Akazawa D18/12
- D. 280,210 8/1985 Ledoux D18/12
- D. 318,682 7/1991 Gokita D18/12
- D. 319,837 9/1991 Urawa D18/12

[73] Assignee: **Seiko Epson Corporation, Tokyo, Japan**

Primary Examiner—Carmen H. Vales-Lado
Assistant Examiner—Ann Hunt
Attorney, Agent, or Firm—Blum Kaplan

[**] Term: **14 Years**

[57] **CLAIM**

[21] Appl. No.: **567,454**

The ornamental design for an ink ribbon cartridge, as shown and described.

[22] Filed: **Aug. 14, 1990**

DESCRIPTION

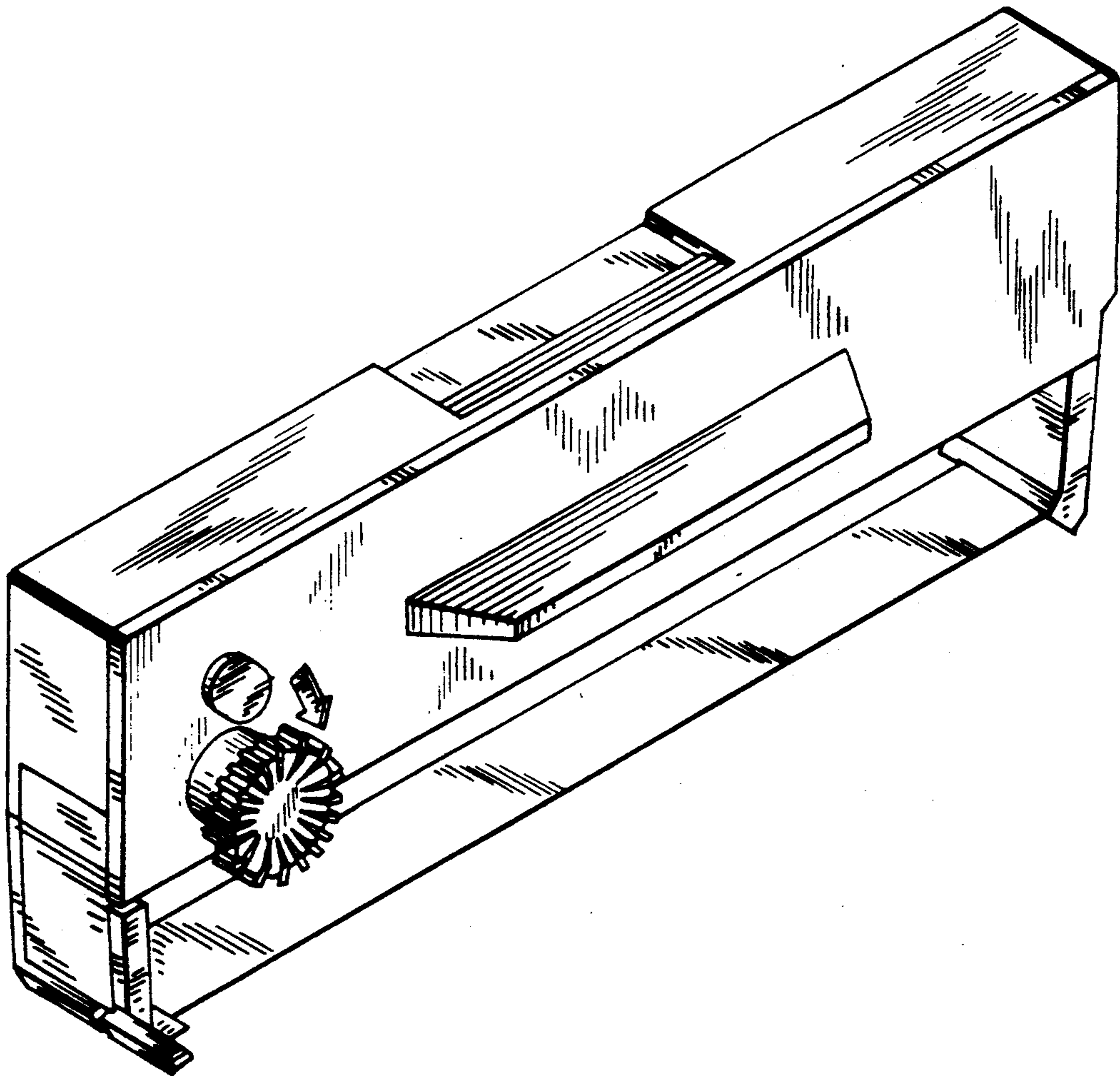
[30] **Foreign Application Priority Data**

Feb. 15, 1990 [JP] Japan 2-4667

[52] U.S. Cl. **D18/12**

[58] Field of Search D18/12, 18, 56, 99;
D14/114, 121; 400/194, 195, 196, 196.1, 207,
208

FIG. 1 is a perspective view of an ink ribbon cartridge showing my new design;
 FIG. 2 is a left side view thereof;
 FIG. 3 is a right side view thereof;
 FIG. 4 is a top plan view thereof;
 FIG. 5 is a front elevational view thereof;
 FIG. 6 is a rear elevational view thereof; and,
 FIG. 7 is a bottom plan thereof.



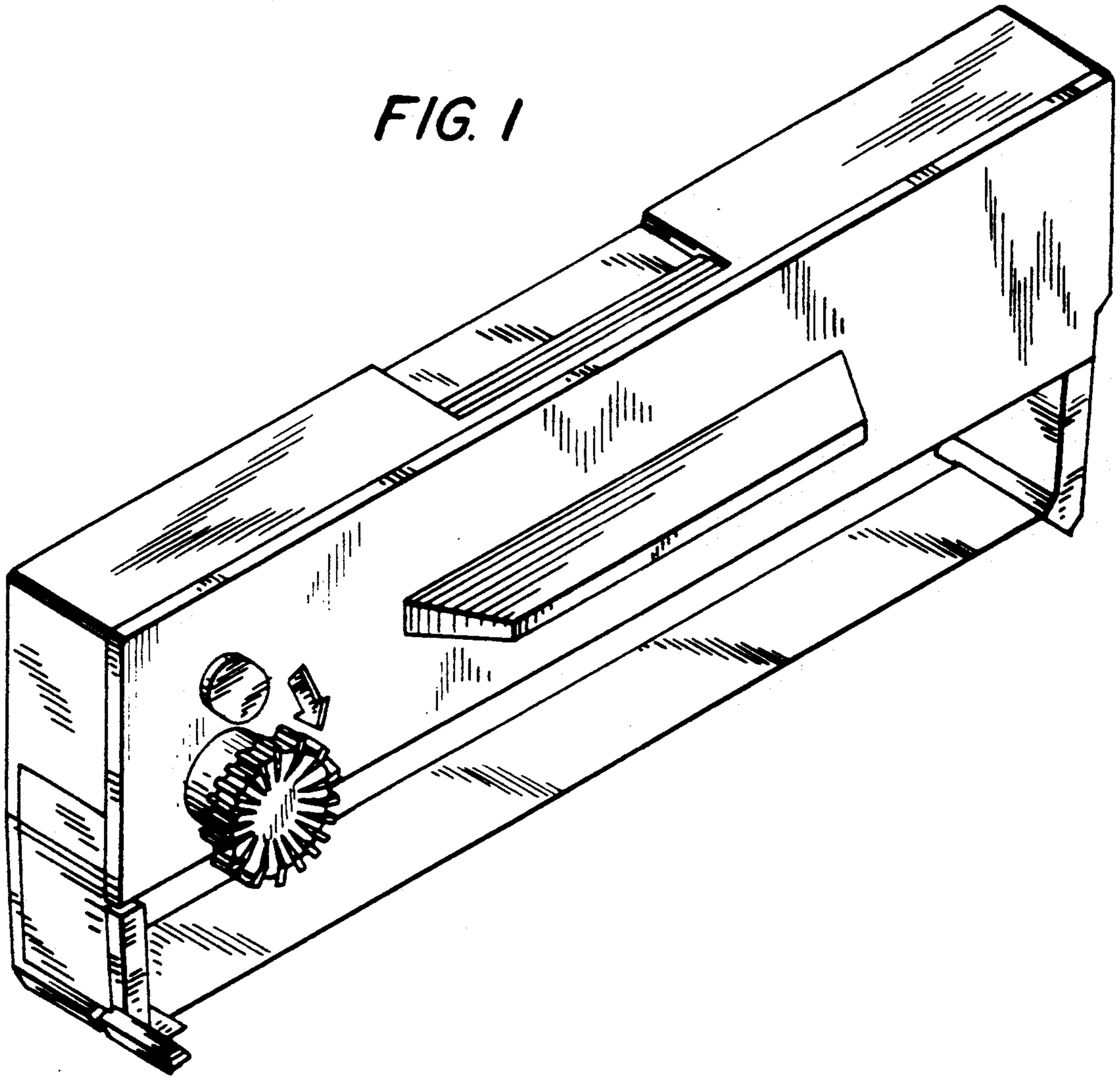


FIG. 2

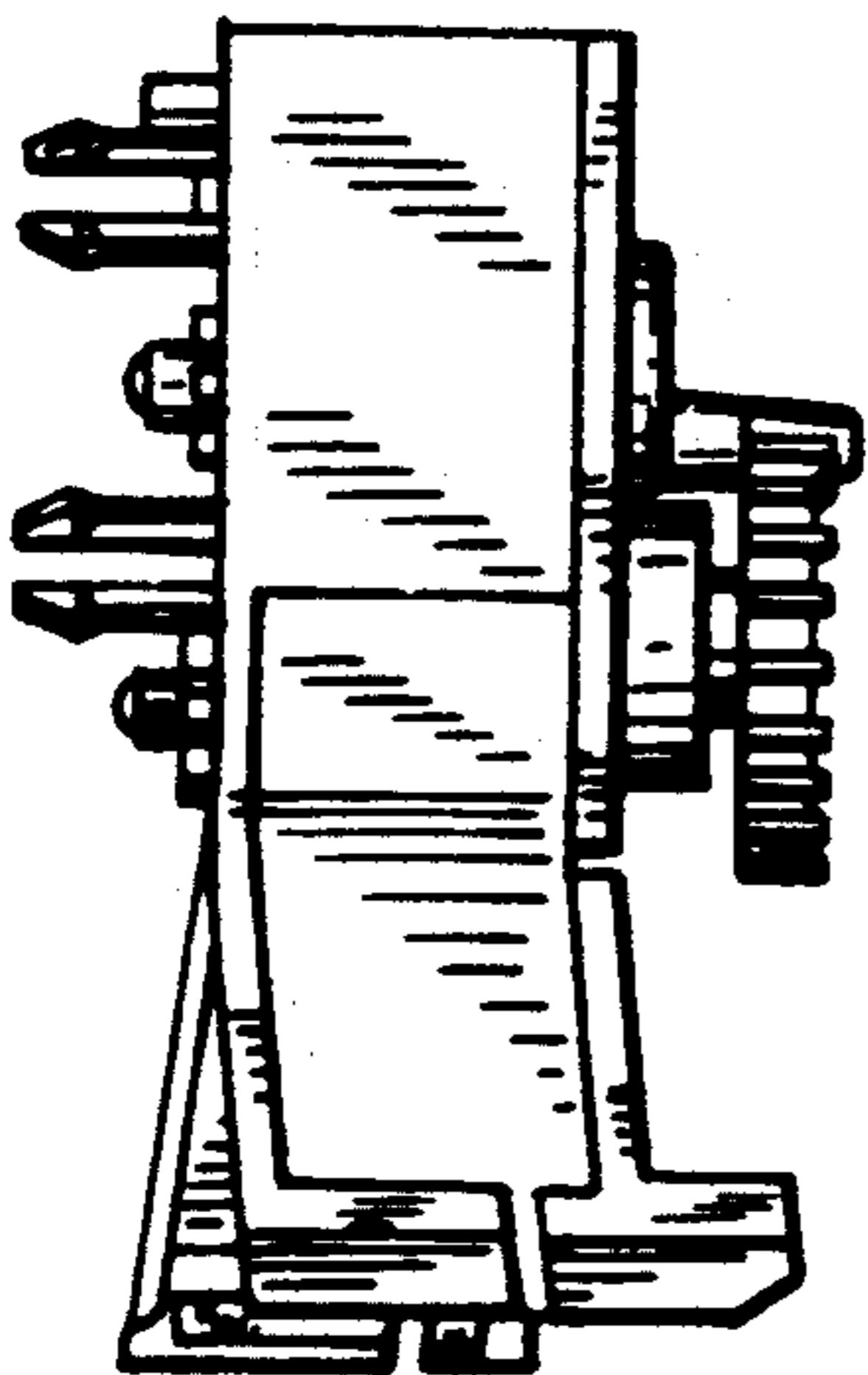
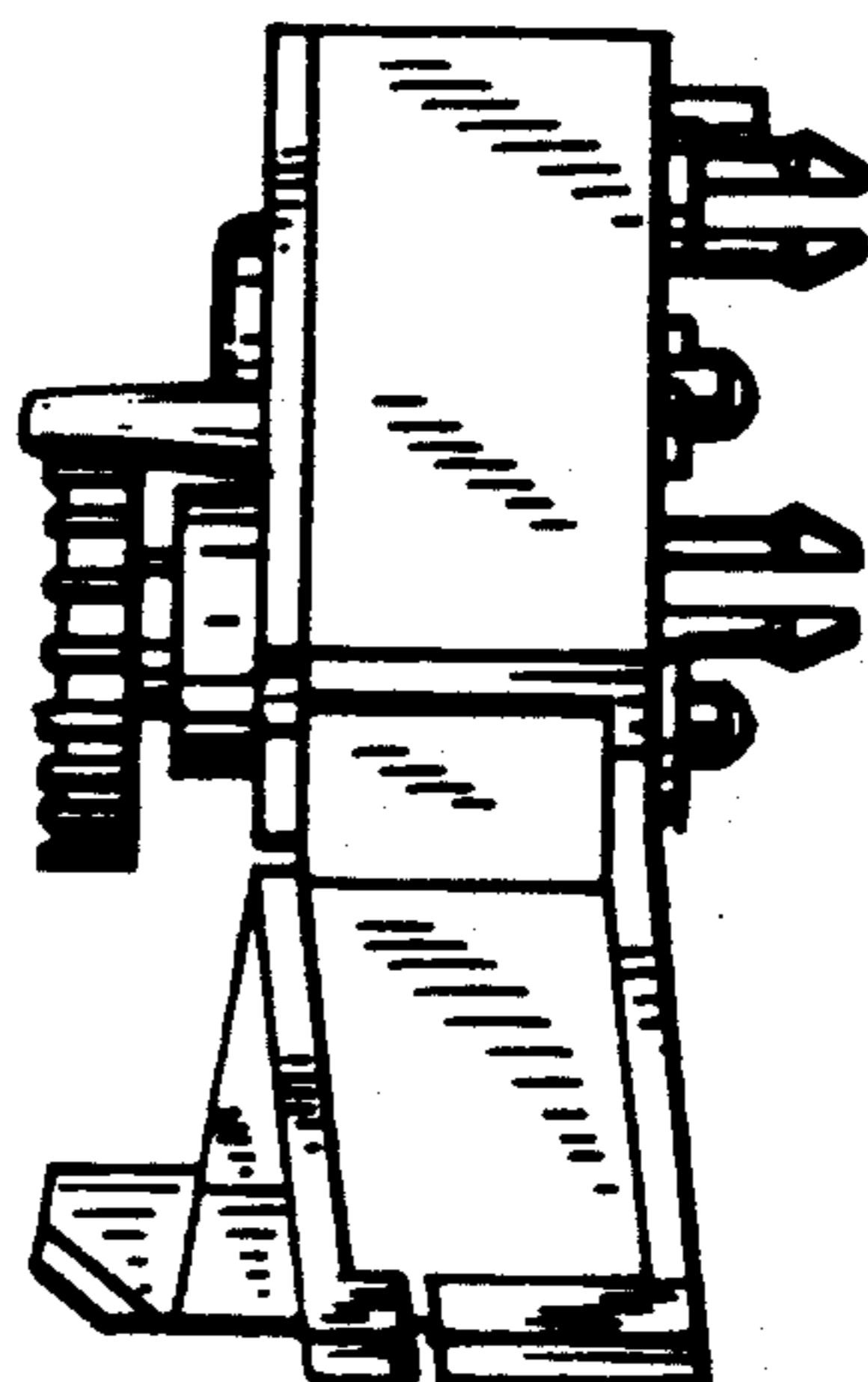


FIG. 3



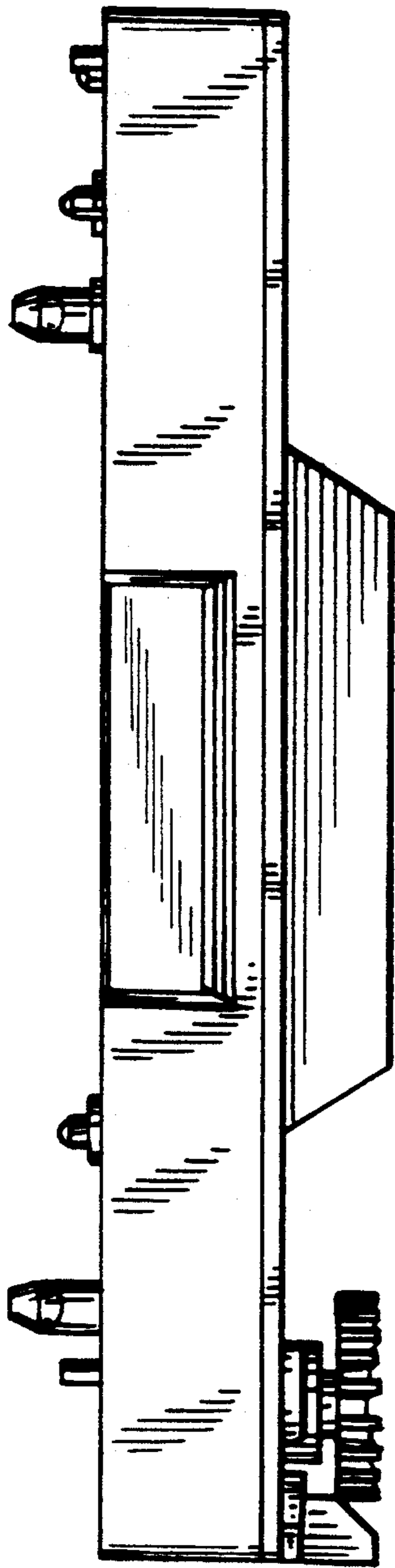


FIG. 4

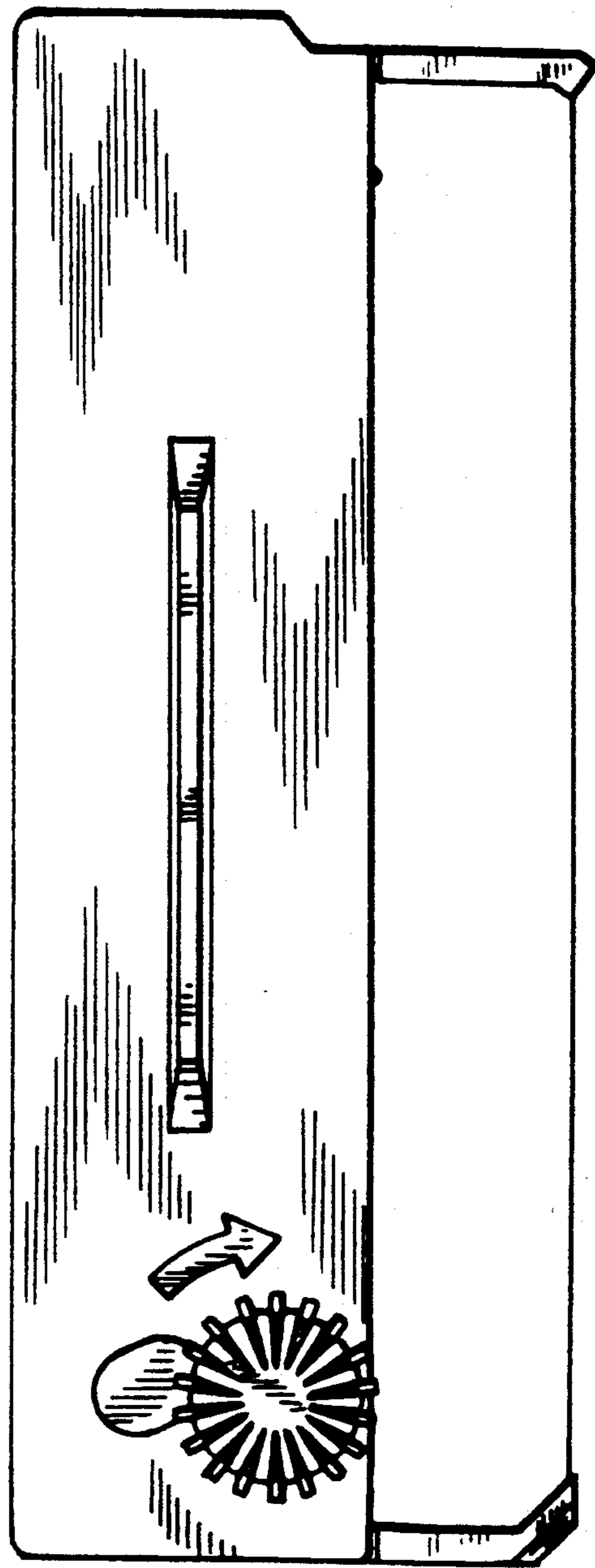


FIG. 5

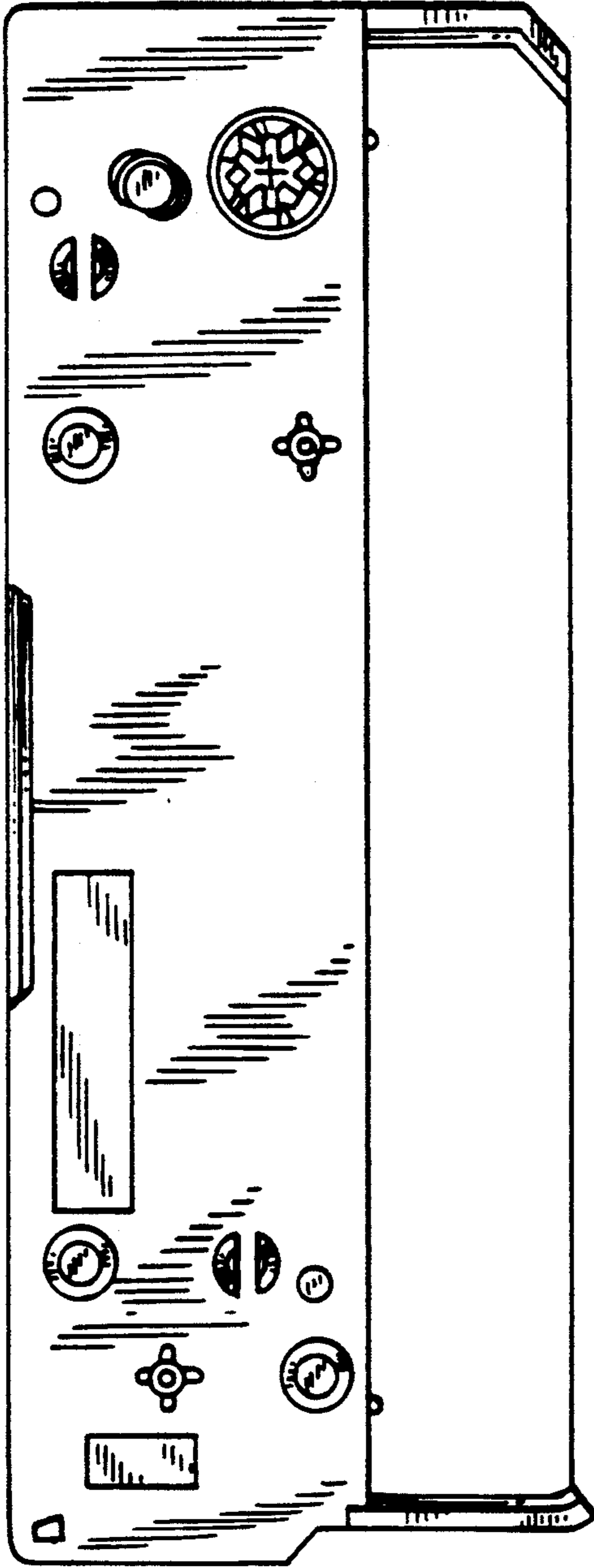


FIG. 6

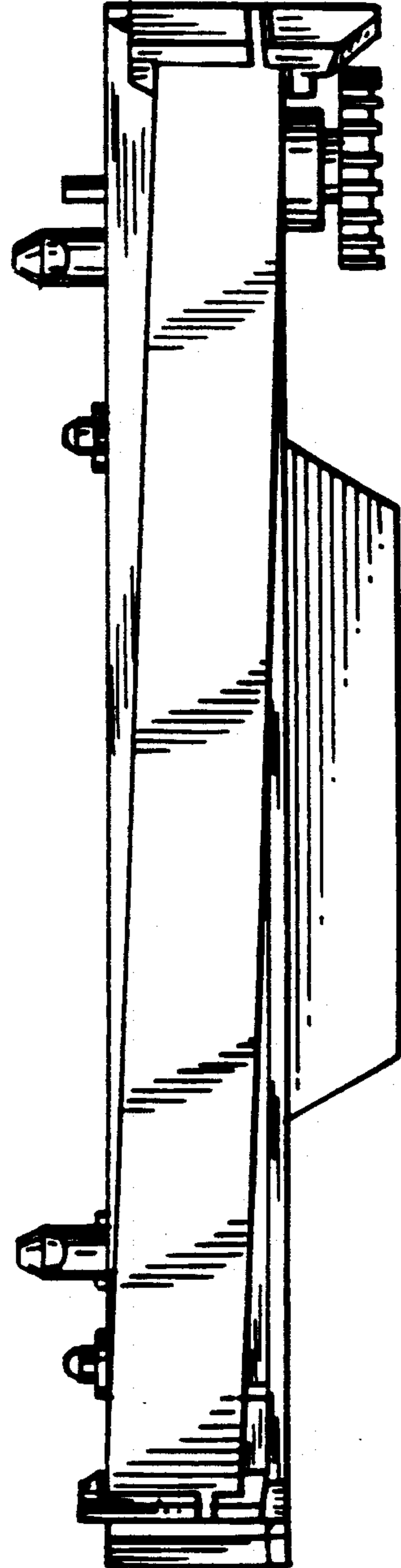


FIG. 7