



US00D331935S

United States Patent [19]

[11] Patent Number: **Des. 331,935**

Tanaka

[45] Date of Patent: **** Dec. 22, 1992**

[54] COMBINED VIDEO CAMERA AND VIDEO TAPE RECORDER

4,928,179 5/1990 Takahashi et al. 358/229

[75] Inventor: **Chifuyu Tanaka**, Tokyo, Japan

OTHER PUBLICATIONS

[73] Assignee: **Canon Kabushiki Kaisha**, Tokyo, Japan

Video Review, Jan. 1987 p. 129 (Minolta CR-8000 S AF/8mm).

[**] Term: **14 Years**

Popular Photography, 1988 p. 64 (JVC GR-C25 Camcorder).

[21] Appl. No.: **632,750**

Video Review, Apr. 1987 p. 42 (Pentax PV-C800A 8mm Video Camera).

[22] Filed: **Dec. 24, 1990**

Primary Examiner—Bernard Ansher
Assistant Examiner—Adir Aronovich
Attorney, Agent, or Firm—Fitzpatrick, Cella, Harper & Scinto

[30] Foreign Application Priority Data

Jun. 27, 1990 [JP] Japan 2-21887

[52] U.S. Cl. **D16/202**

[58] Field of Search D16/200, 202, 203-205, D16/208; 352/34, 242, 243; 354/82, 288; 358/229, 906

[57] CLAIM

The ornamental design for a combined video camera and video tape recorder, as shown and described.

[56] References Cited

DESCRIPTION

U.S. PATENT DOCUMENTS

- D. 289,645 5/1987 Kondo D14/78
- D. 294,570 3/1988 Kurokawa et al. D16/202
- D. 305,032 12/1989 Nishiyama et al. D16/202
- D. 305,240 12/1989 Kondoh D16/202
- D. 316,419 4/1991 Matsumura D16/202
- D. 316,420 4/1991 Tanaka D16/202
- D. 317,456 6/1991 Ooi et al. D16/202
- D. 322,448 12/1991 Kondo D16/202

FIG. 1 is a front perspective view of a combined video camera and video tape recorder showing my new design;
 FIG. 2 is a front elevational view thereof;
 FIG. 3 is a rear elevational view thereof;
 FIG. 4 is a top plan view thereof;
 FIG. 5 is a bottom plan view thereof;
 FIG. 6 is a right side elevational view thereof; and,
 FIG. 7 is a left side elevational view thereof.

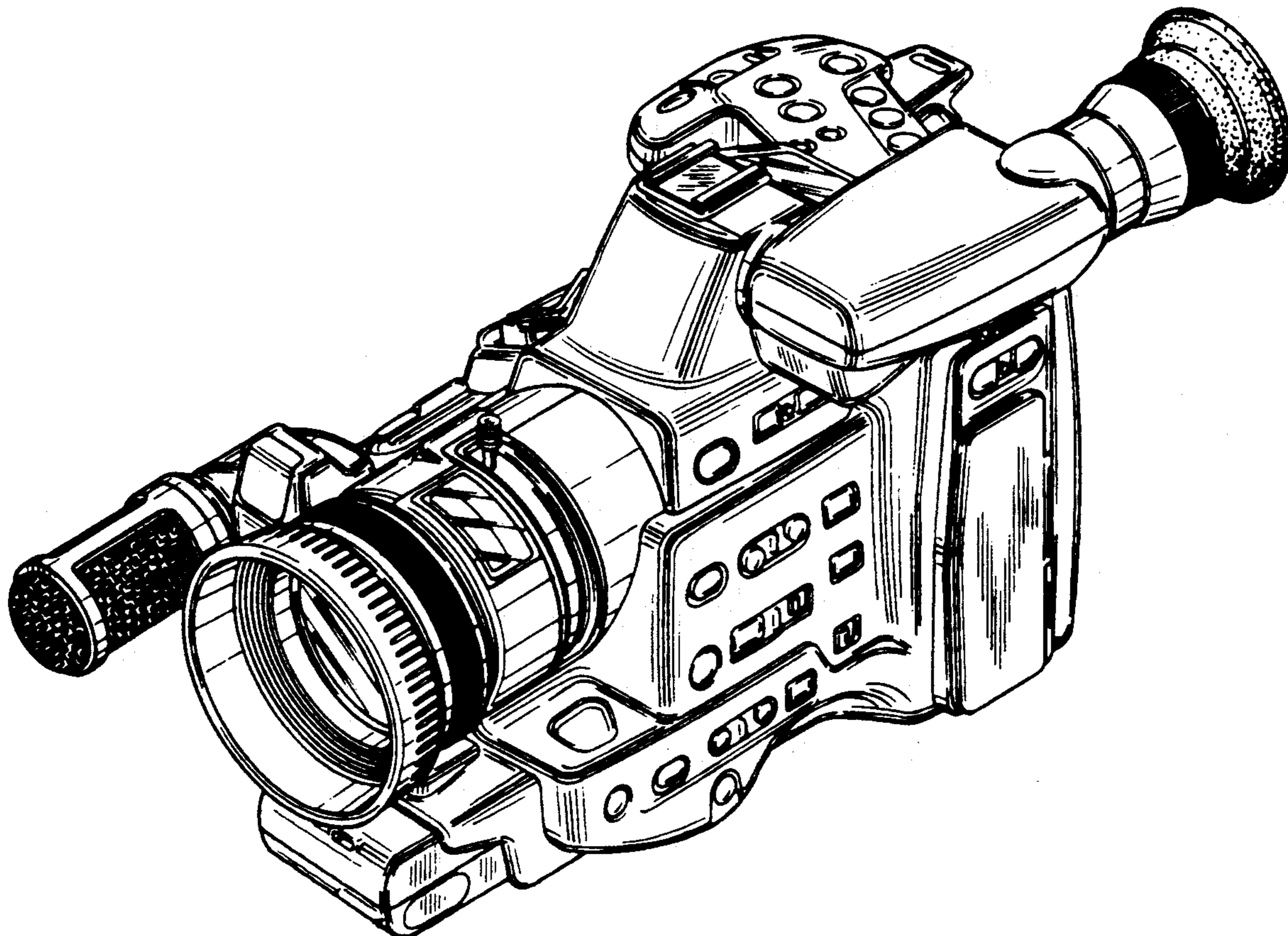


FIG. 1

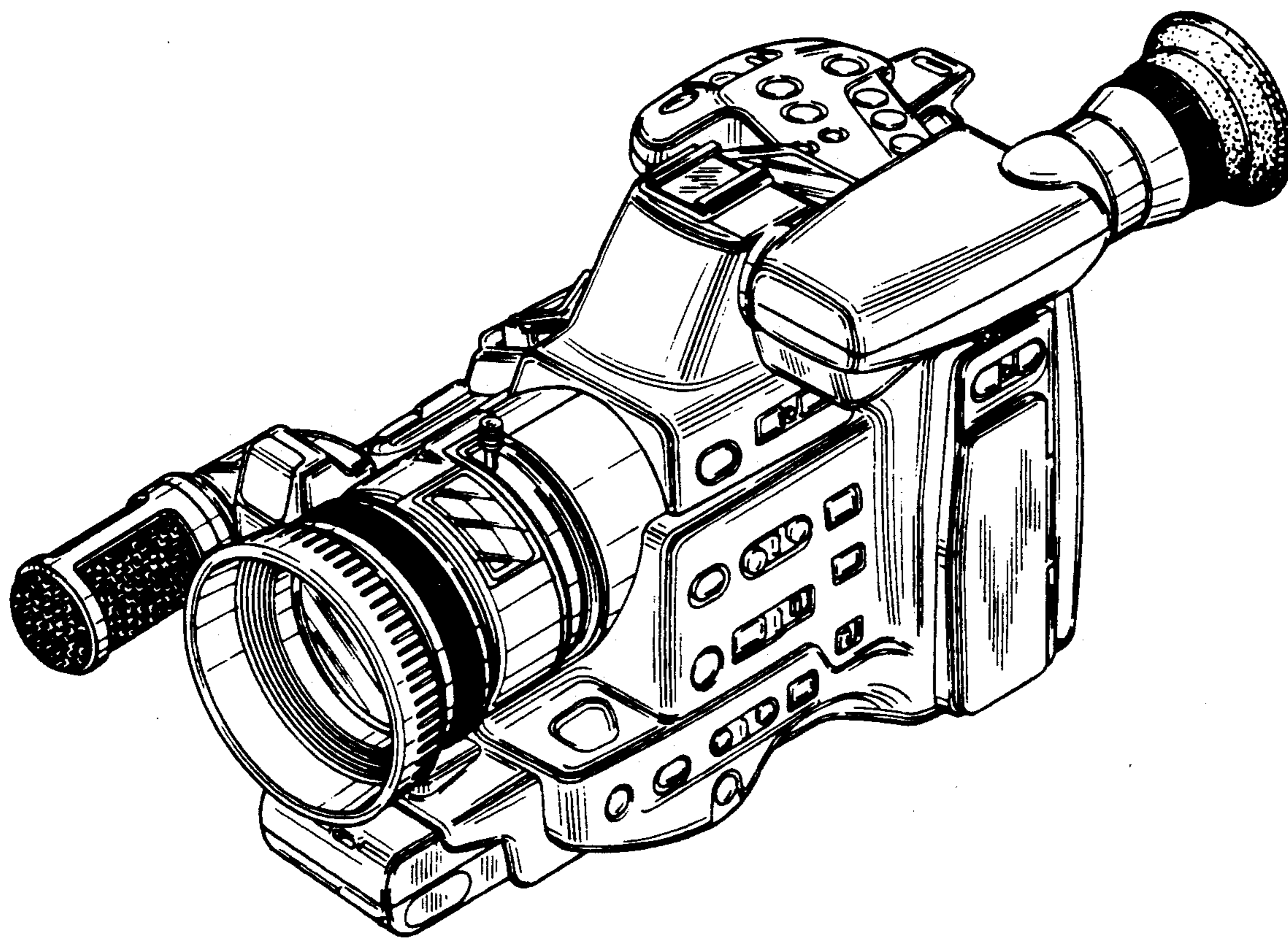


FIG. 2

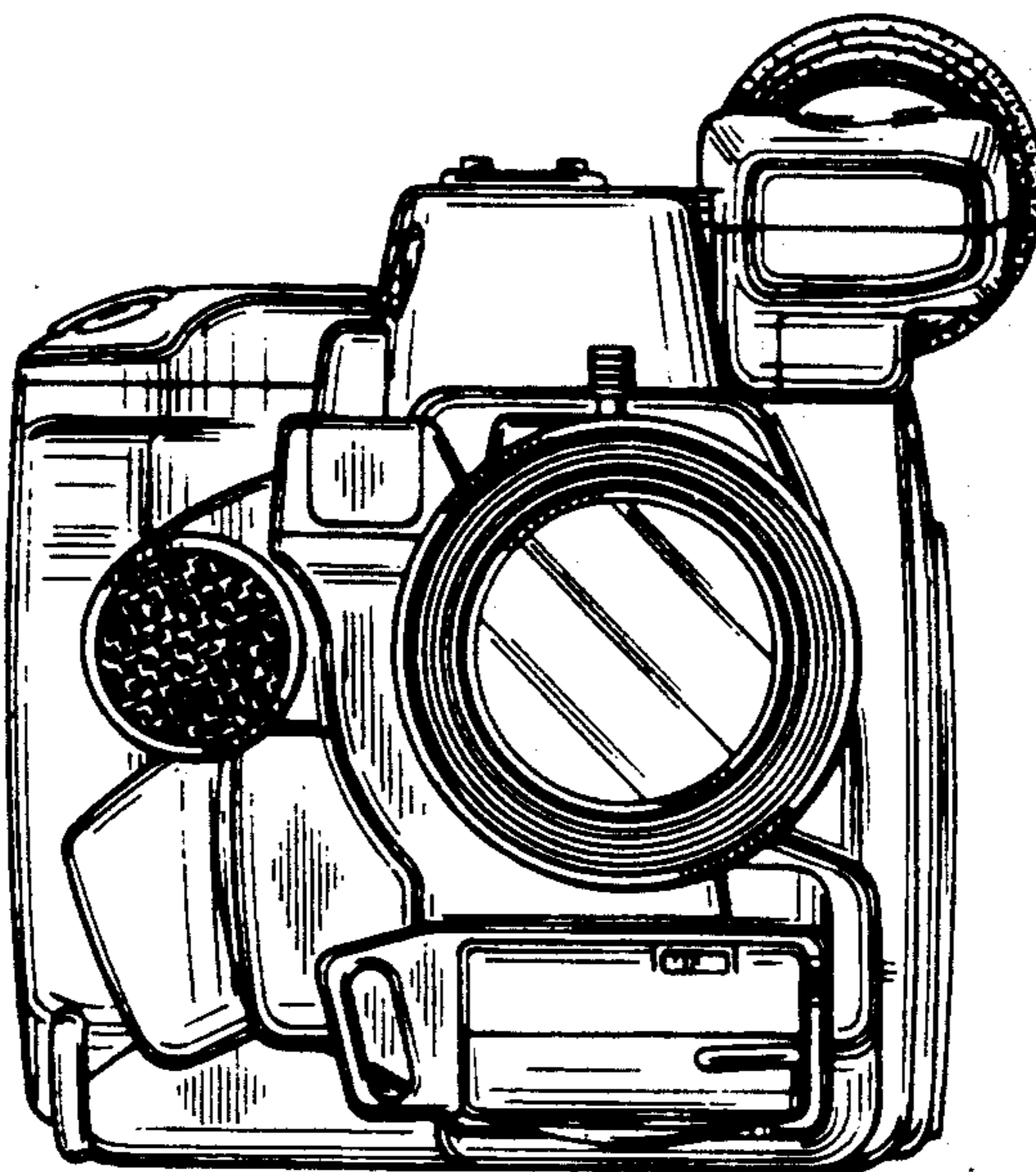


FIG. 3

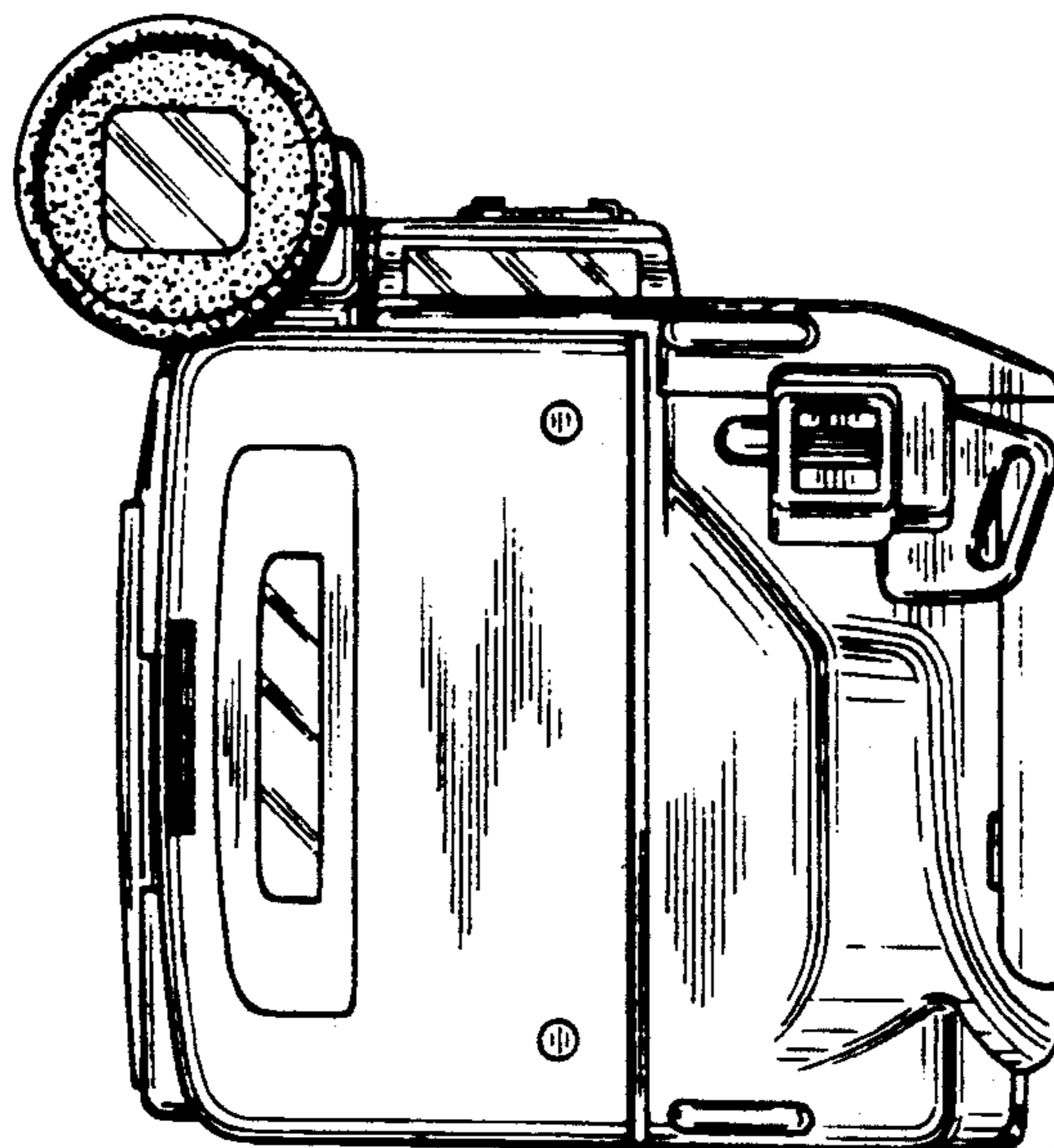


FIG. 4

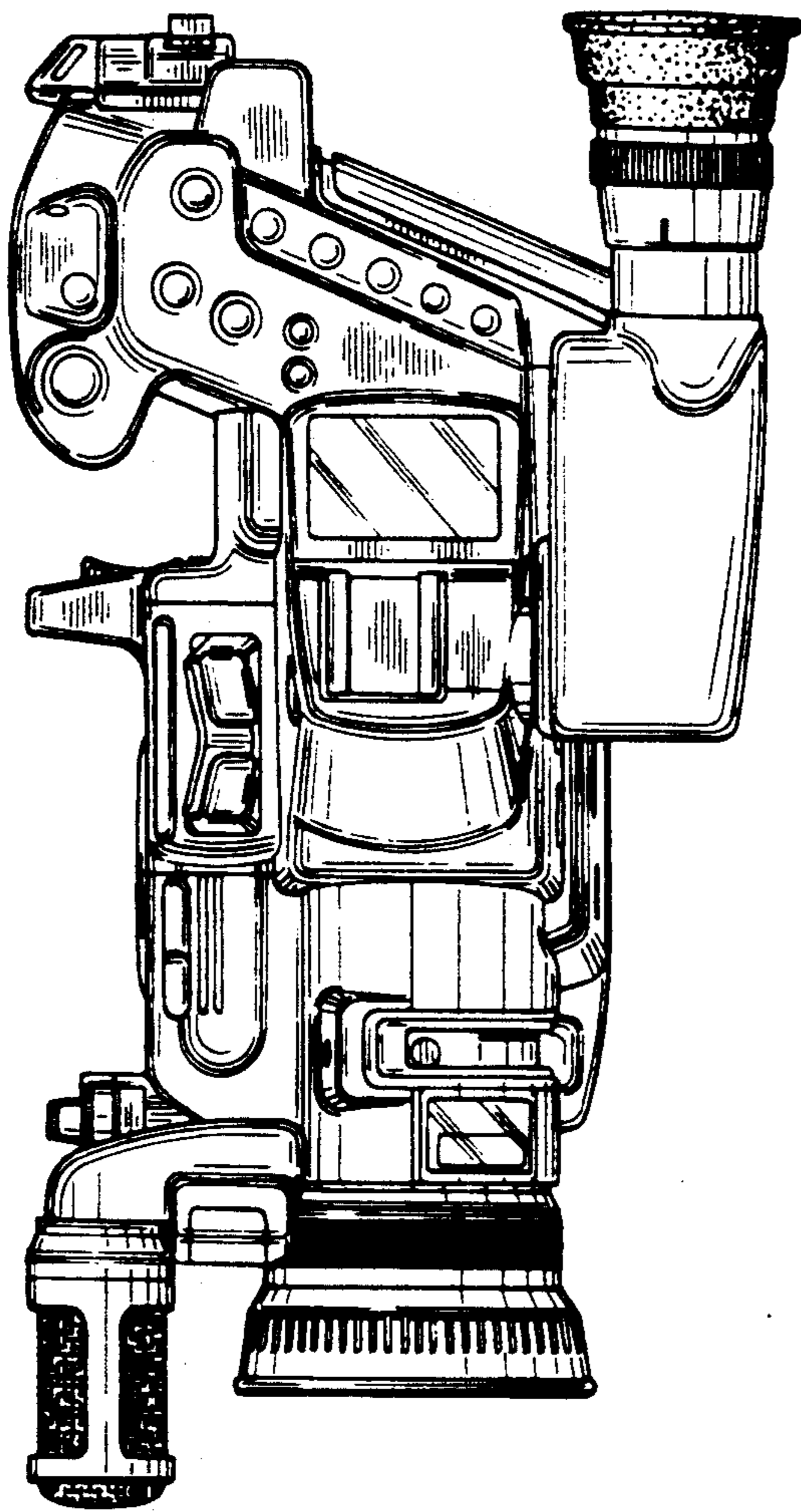


FIG. 5

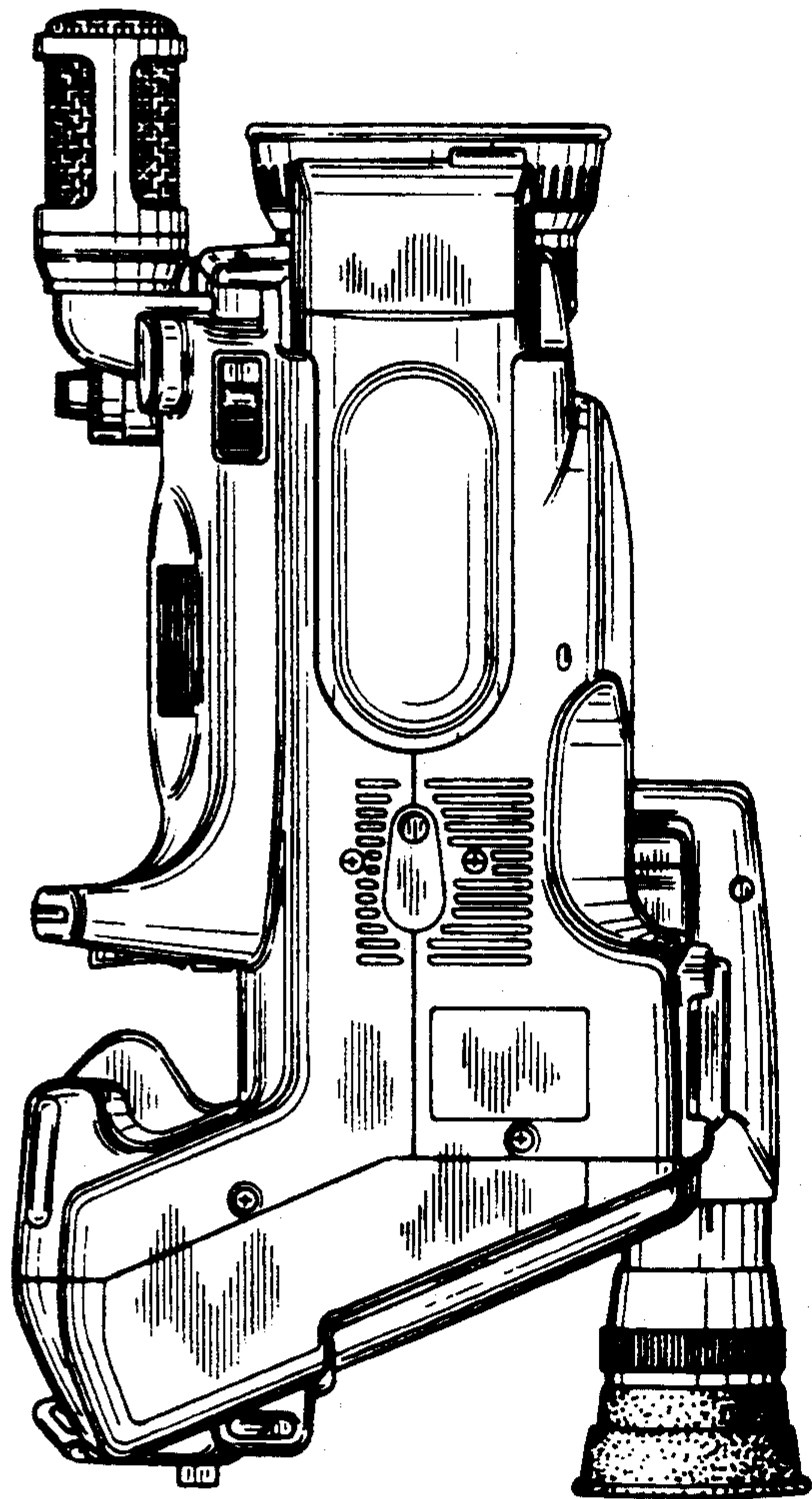


FIG. 6

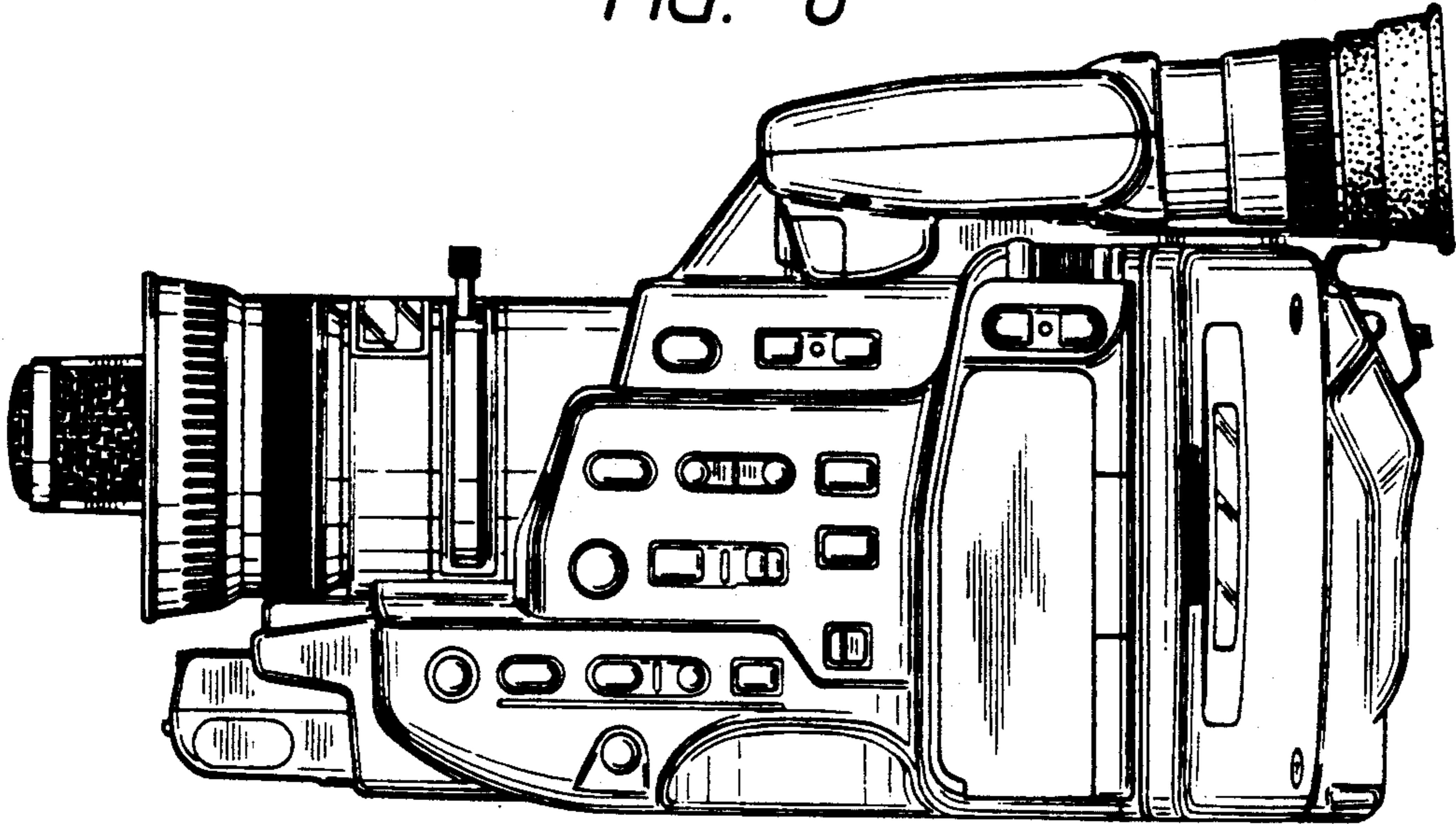


FIG. 7

