



US00D331928S

United States Patent [19]

[11] Patent Number: **Des. 331,928**

McDowell

[45] Date of Patent: **** Dec. 22, 1992**

[54] ACOUSTIC REFLECTOR

FOREIGN PATENT DOCUMENTS

[76] Inventor: **William C. McDowell**, 86 AGS
BO9249, APO, N.Y. 09012

4629 of 1891 United Kingdom 181/129

[**] Term: **14 Years**

OTHER PUBLICATIONS

Handbook of Designs & Devices, Hornung ©1956, p. 2, item #14—Ring Design.

[21] Appl. No.: **637,498**

Primary Examiner—Melvin B. Feifer
Attorney, Agent, or Firm—Leon Gildea

[22] Filed: **Jan. 4, 1991**

[57] CLAIM

[52] U.S. Cl. **D14/205; D14/223**

The ornamental design for an acoustic reflector, as shown and described.

[58] Field of Search **D14/205-207,**
D14/223, 220, 232; 381/25, 158, 183, 187, 68;
379/430, 444; 181/129

DESCRIPTION

[56] References Cited

U.S. PATENT DOCUMENTS

2,537,201 1/1951 Amfitheatrof D14/205
4,615,050 10/1986 Lönstedt 181/129
4,771,859 9/1988 Breland 181/129

FIG. 1 is a front elevational view of the acoustic reflector showing my new design;
FIG. 2 is a rear elevational view thereof;
FIG. 3 is a left side elevational view thereof;
FIG. 4 is a right side elevational view thereof;
FIG. 5 is a top plan view thereof; and,
FIG. 6 is a bottom plan view thereof.

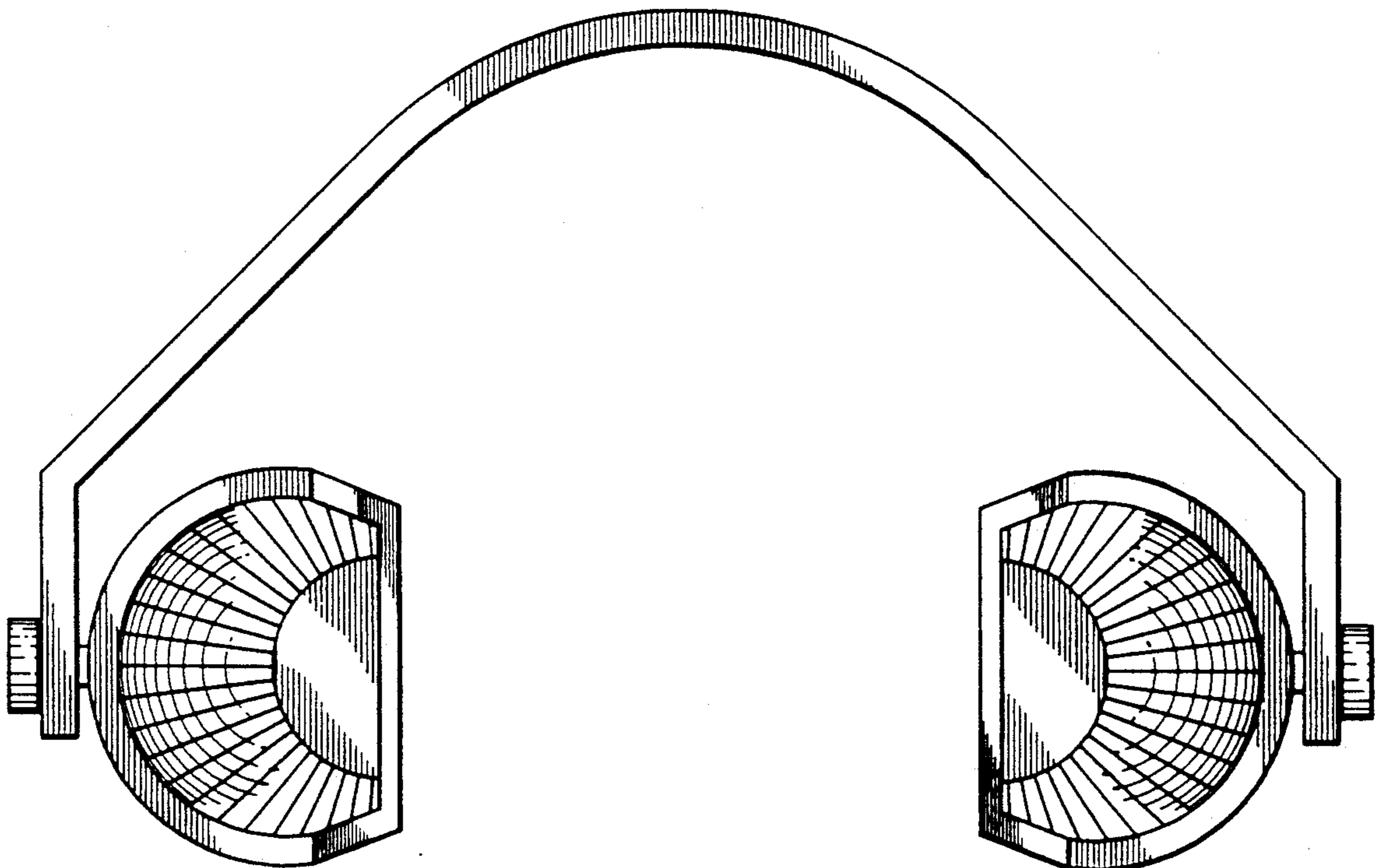


FIG. 1

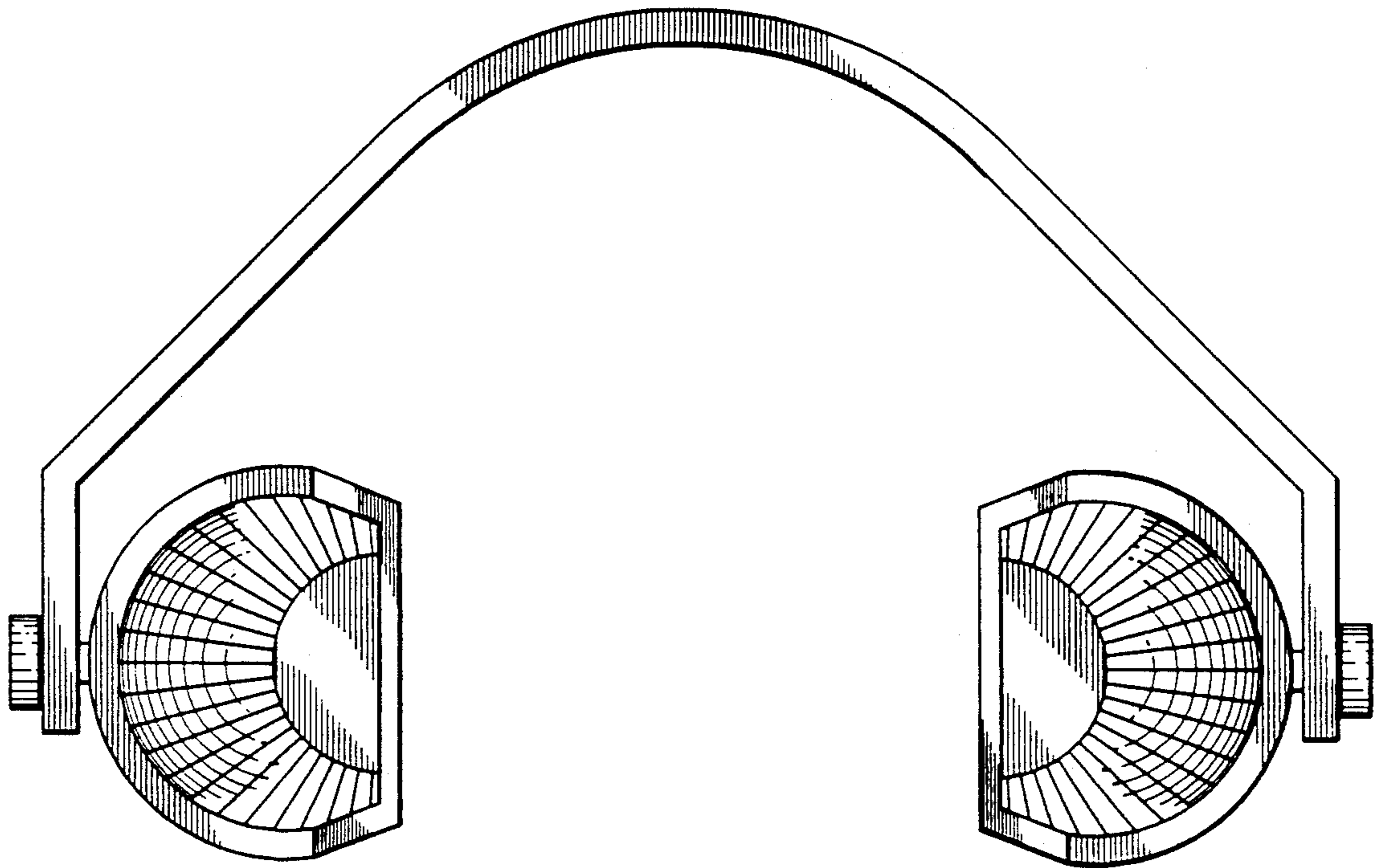


FIG. 2

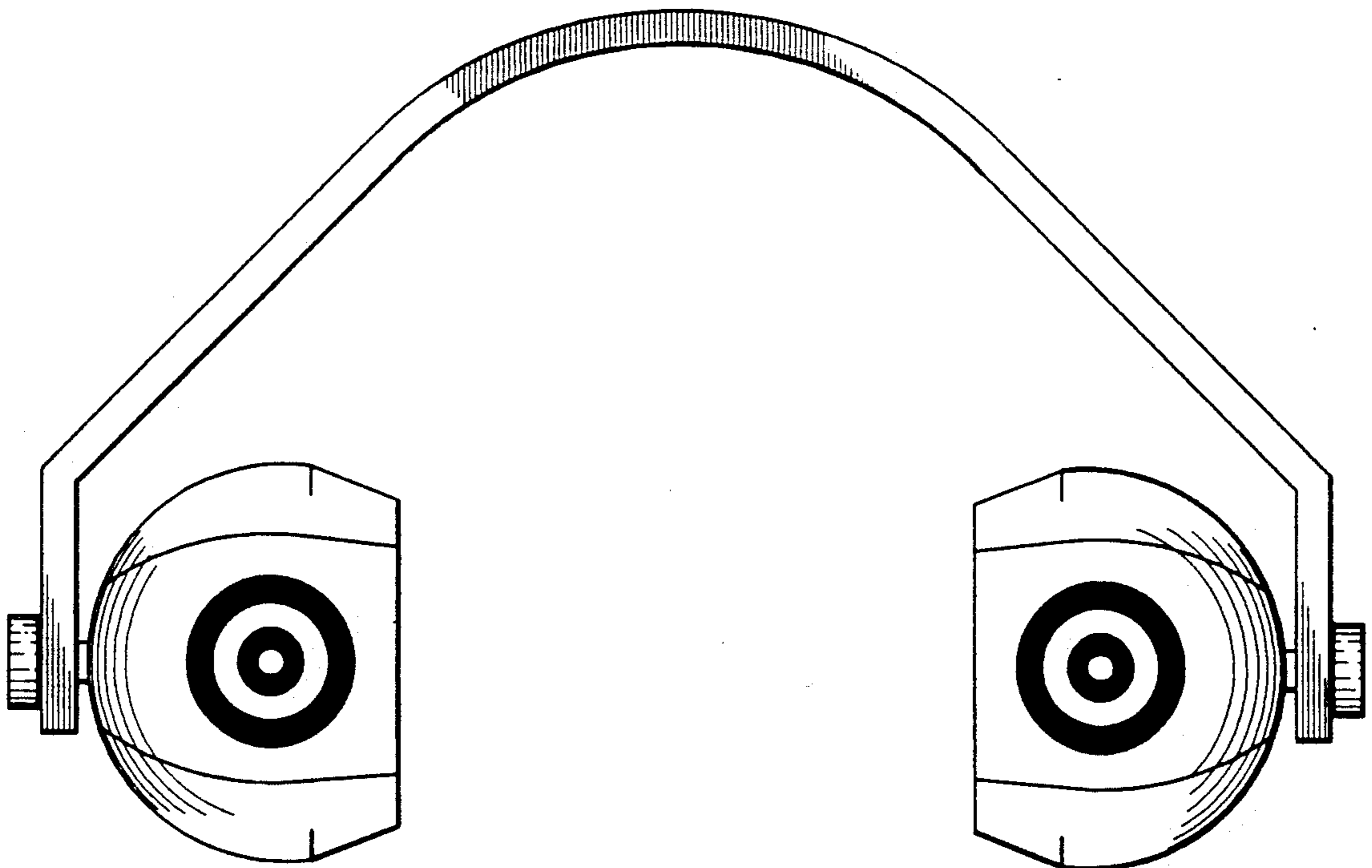


FIG. 3

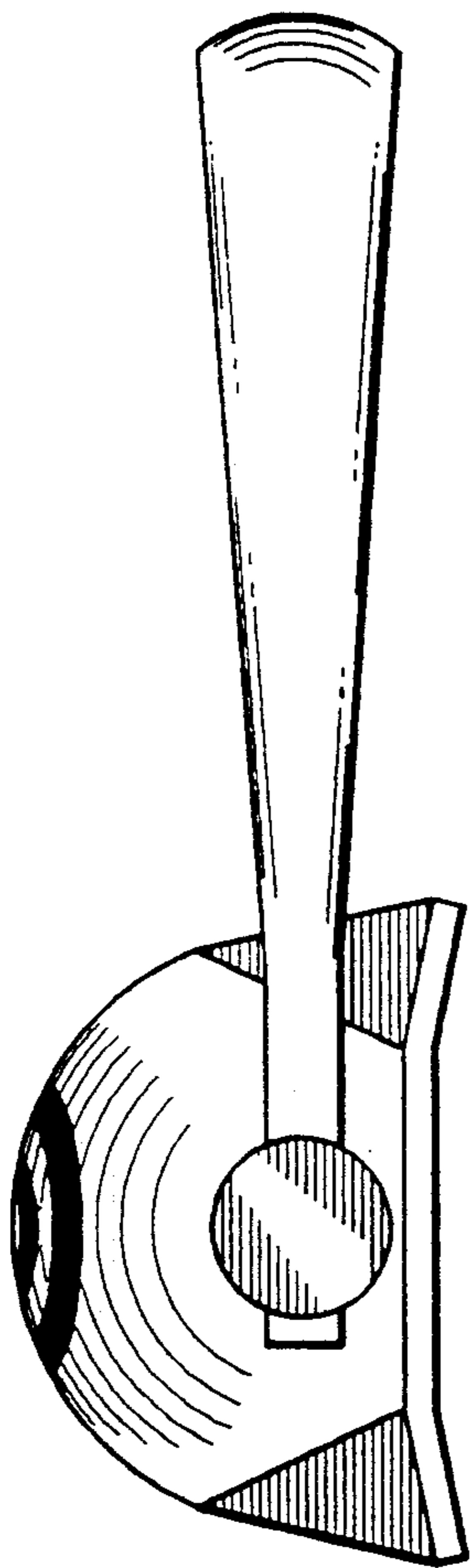


FIG. 4

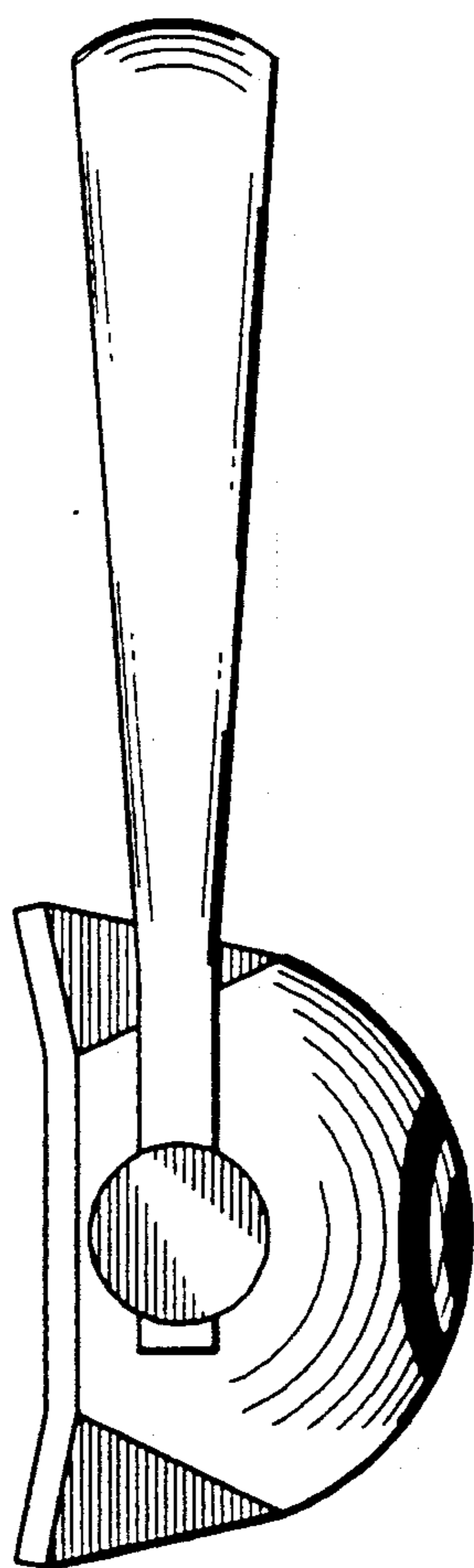


FIG. 5

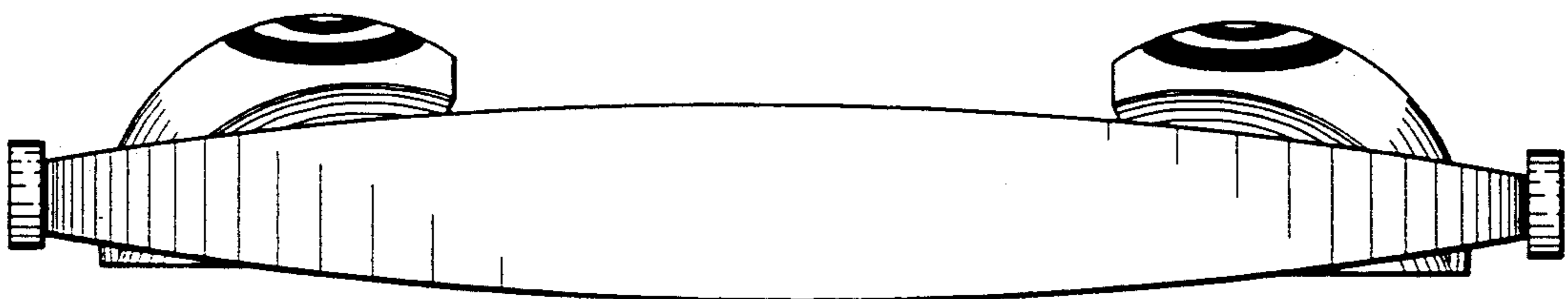


FIG. 6

