



US00D331921S

United States Patent [19]

Gutke et al.

[11] Patent Number: **Des. 331,921**

[45] Date of Patent: **** Dec. 22, 1992**

[54] **FOREARM SUPPORT FOR USE WITH COMPUTER KEYBOARDS OR SIMILAR ARTICLE**

4,913,393 4/1990 Wood 248/118 X
5,022,622 6/1991 Schaevitz 248/118 X

[76] Inventors: **Lennart Gutke**, Engelbrektsgtan 35, 411 37 Göteborg, Sweden; **Runo Scott**, Torngatan 6, 334 00 Anderstorp, Sweden

FOREIGN PATENT DOCUMENTS

2203265 8/1973 Fed. Rep. of Germany 400/715

[**] Term: **14 Years**

OTHER PUBLICATIONS

[21] Appl. No.: **584,269**

Brochure—Entitled Ergo Supply, Ergo-Pat in Swedish, 1 page.

[22] Filed: **Sep. 18, 1990**

Brochure—Entitled Ergoarm, A Movable Armsupport in English, 1 page.

[30] Foreign Application Priority Data

Mar. 21, 1990 [SE] Sweden 90-0645

Brochure—Entitled Underarmsstod, Ergo Rest in Swedish, 2 sided page.

[52] U.S. Cl. **D14/114**

[58] Field of Search D14/100, 114; D6/429; D8/380, 381, 373; 248/917-924, 118, 118.1, 176, 226.4, 278; 211/69.1; 361/222; 400/715

Primary Examiner—Wallace R. Burke

Assistant Examiner—Freda S. Nunn

Attorney, Agent, or Firm—Ernest A. Beutler

[57] CLAIM

The ornamental design for a forearm support for use with computer keyboards or similar article, as shown and described.

[56] References Cited

U.S. PATENT DOCUMENTS

- D. 275,431 9/1984 Usab 248/921 X
- D. 323,323 1/1992 Klaebel D14/114
- 1,750,819 3/1930 Schaller D8/380 X
- 2,950,890 8/1960 Hough, Jr. 248/118
- 4,562,987 1/1986 Leeds et al. 248/918 X
- 4,687,167 8/1987 Skalka et al. 248/919 X

DESCRIPTION

FIG. 1 is a front perspective view of a forearm support for use with computer keyboards or similar article showing our new design;

FIG. 2 is a bottom perspective view thereof; and,

FIG. 3 is a side elevational view thereof with the support arm in a fully extended position.

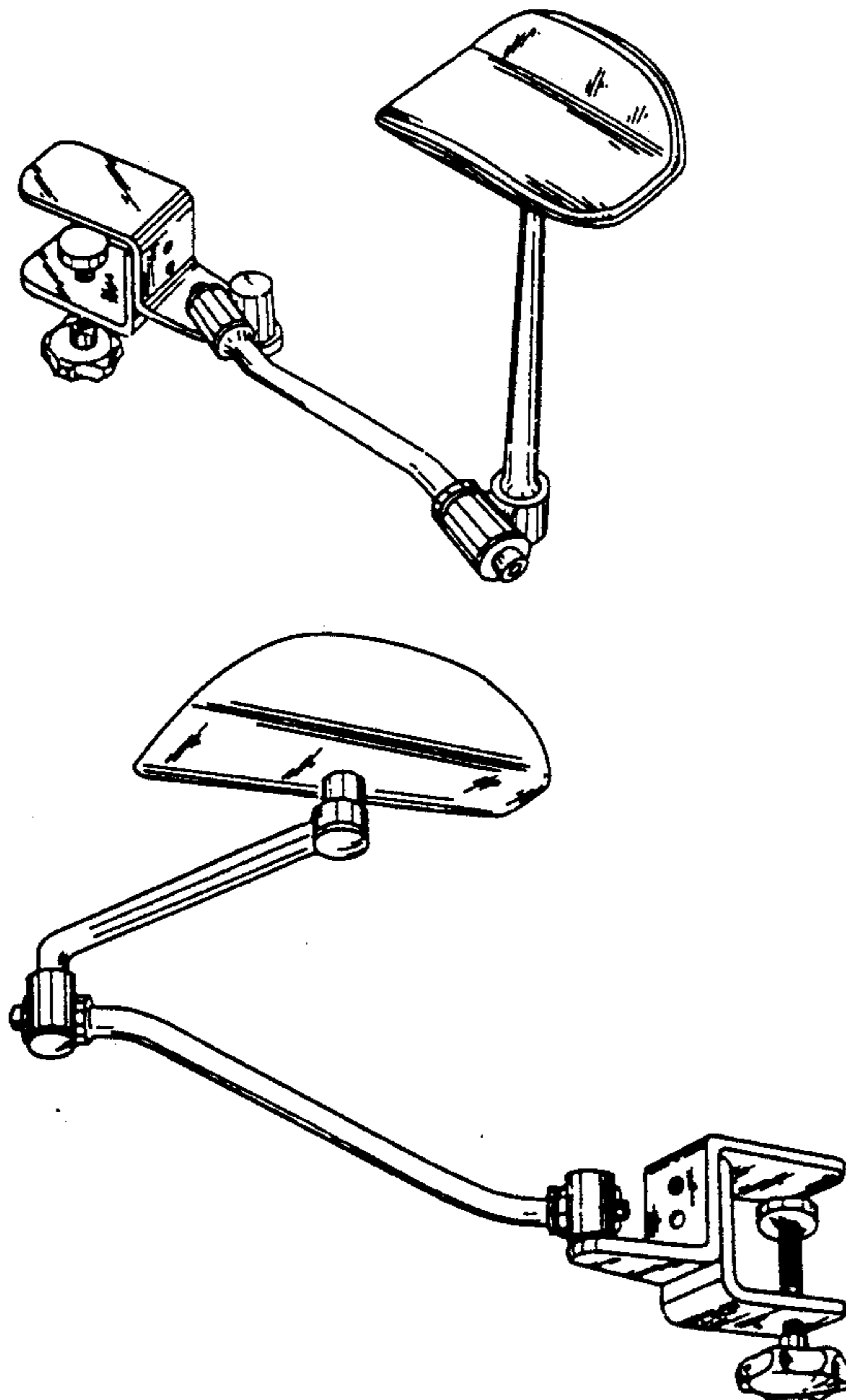


Figure 1

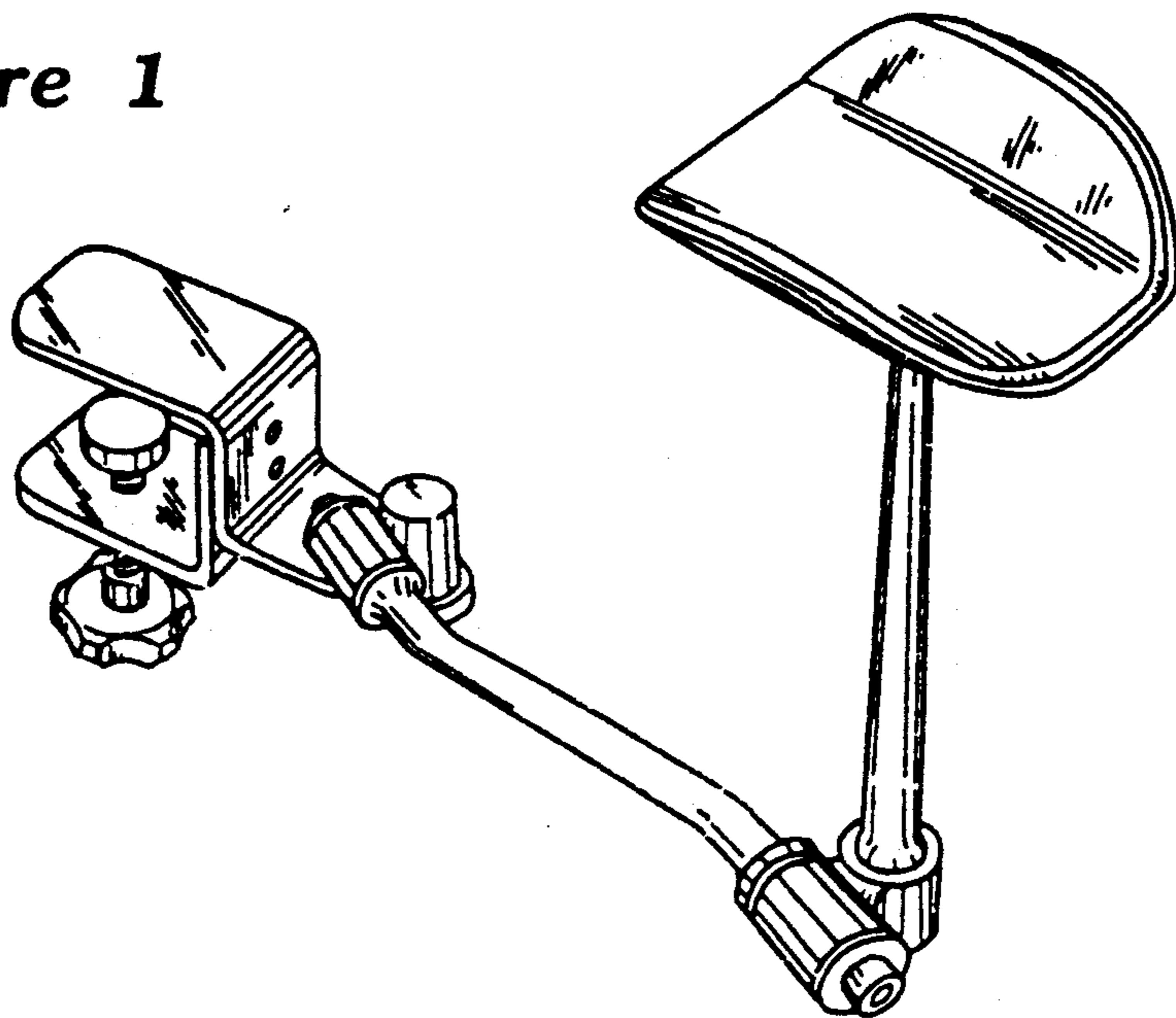
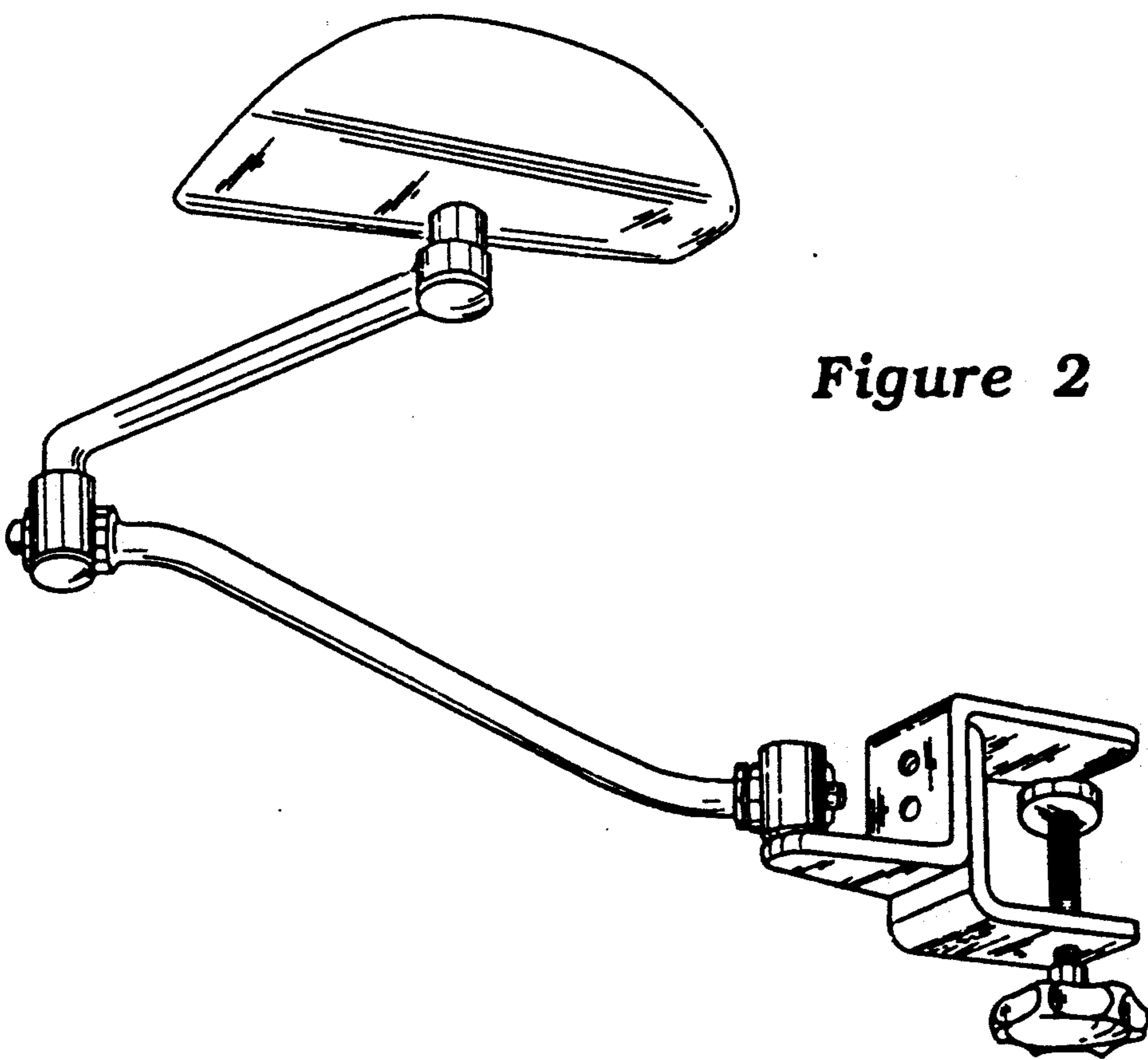


Figure 2



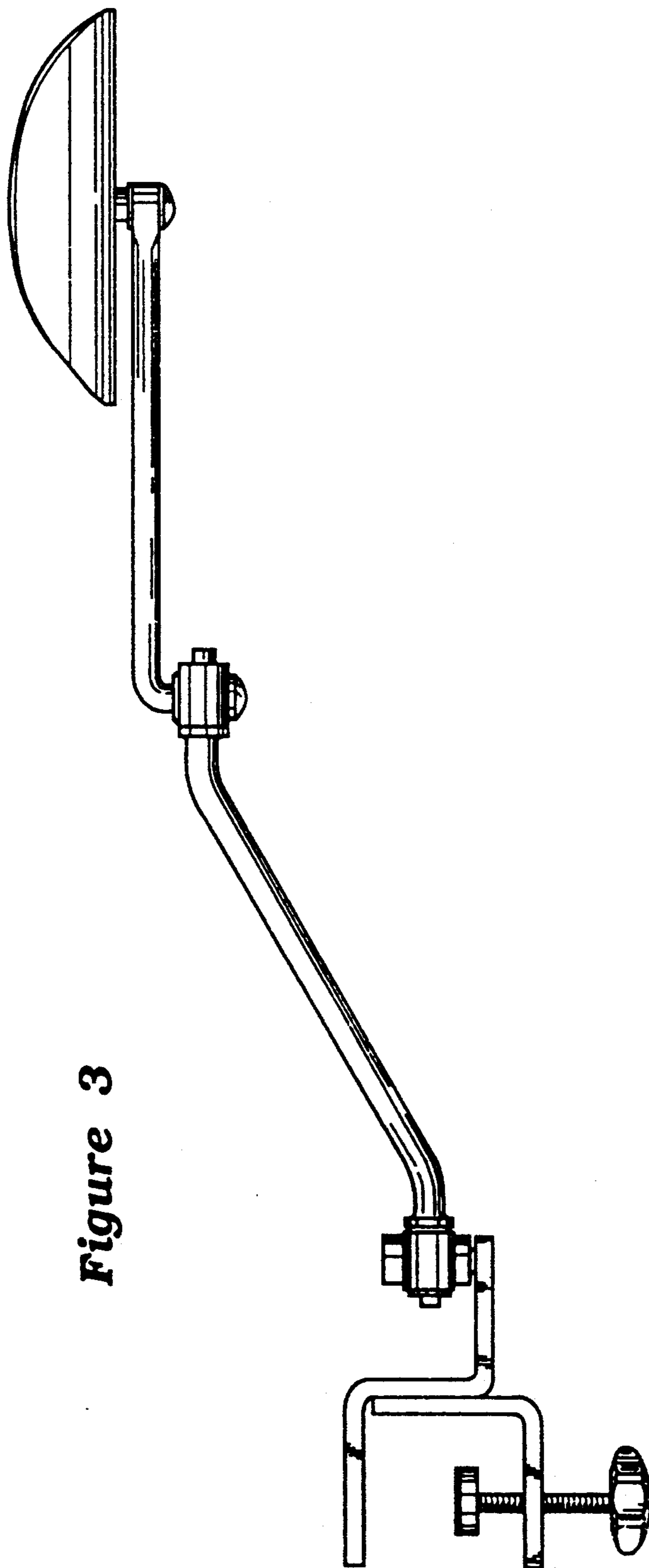


Figure 3