



US00D331920S

United States Patent [19]

Iino

[11] Patent Number: **Des. 331,920**

[45] Date of Patent: **** Dec. 22, 1992**

[54] **MAGNETIC MEMORY EXPANSION UNIT FOR INCREASING THE FUNCTIONS OF AN ELECTRONIC COMPUTER**

D. 318,466 7/1991 Grundstrom et al. D14/114
4,530,066 7/1985 Ohwaki et al. 361/390 X

[75] Inventor: **Masaaki Iino**, Yokohama, Japan

[73] Assignee: **Kabushiki Kaisha Toshiba**, Kanagawa, Japan

[**] Term: **14 Years**

[21] Appl. No.: **559,569**

[22] Filed: **Jul. 27, 1990**

[30] **Foreign Application Priority Data**

Feb. 9, 1990 [JP] Japan 2-3654

[52] U.S. Cl. **D14/107**

[58] Field of Search D14/100, 107, 114;
D13/184, 199, 123, 124, 133, 141, 110, 147;
361/380-385, 390-395; 364/708; 439/95, 284,
357, 372

[56] **References Cited**

U.S. PATENT DOCUMENTS

D. 306,013 2/1990 Kato et al. D14/100
D. 310,998 10/1990 Lee et al. D14/100
D. 313,404 1/1991 Myers D14/107
D. 314,183 1/1991 Wong D13/147 X

FOREIGN PATENT DOCUMENTS

643544 1/1985 Japan .
708302 6/1987 Japan .
708621 7/1987 Japan .

Primary Examiner—Wallace R. Burke
Assistant Examiner—Freda S. Nunn
Attorney, Agent, or Firm—Banner, Birch, McKie & Beckett

[57] **CLAIM**

The ornamental design for a magnetic memory expansion unit for increasing the functions of an electronic computer, as shown.

DESCRIPTION

FIG. 1 is a top front and left side perspective view of a magnetic memory expansion unit for increasing the functions of an electronic computer showing my new design;
FIG. 2 is a front elevational view thereof;
FIG. 3 is a top plan view thereof;
FIG. 4 is a right side elevational view thereof;
FIG. 5 is a left side elevational view thereof;
FIG. 6 is a rear elevational view thereof; and,
FIG. 7 is a bottom plan view thereof.

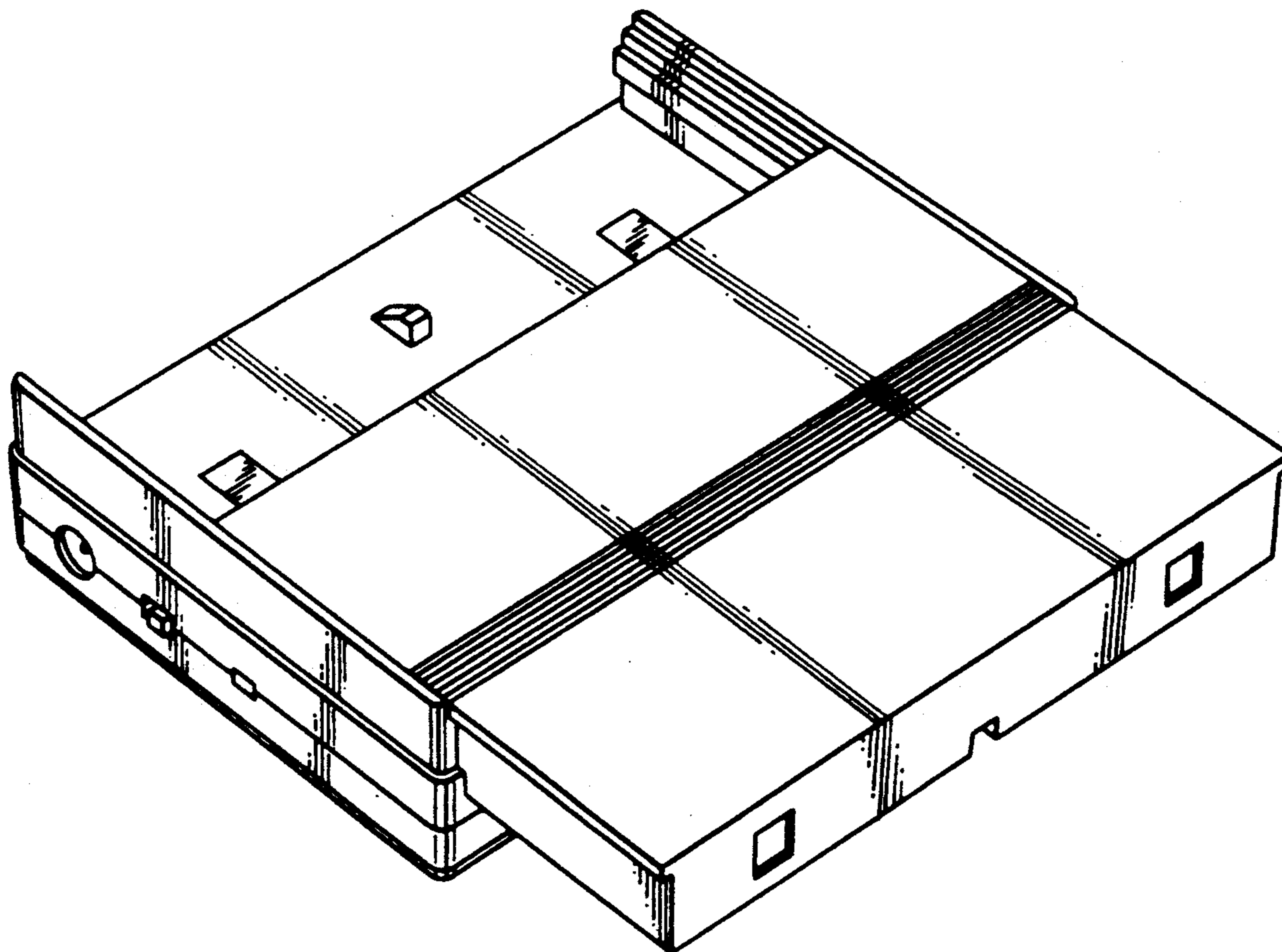


FIG. 1

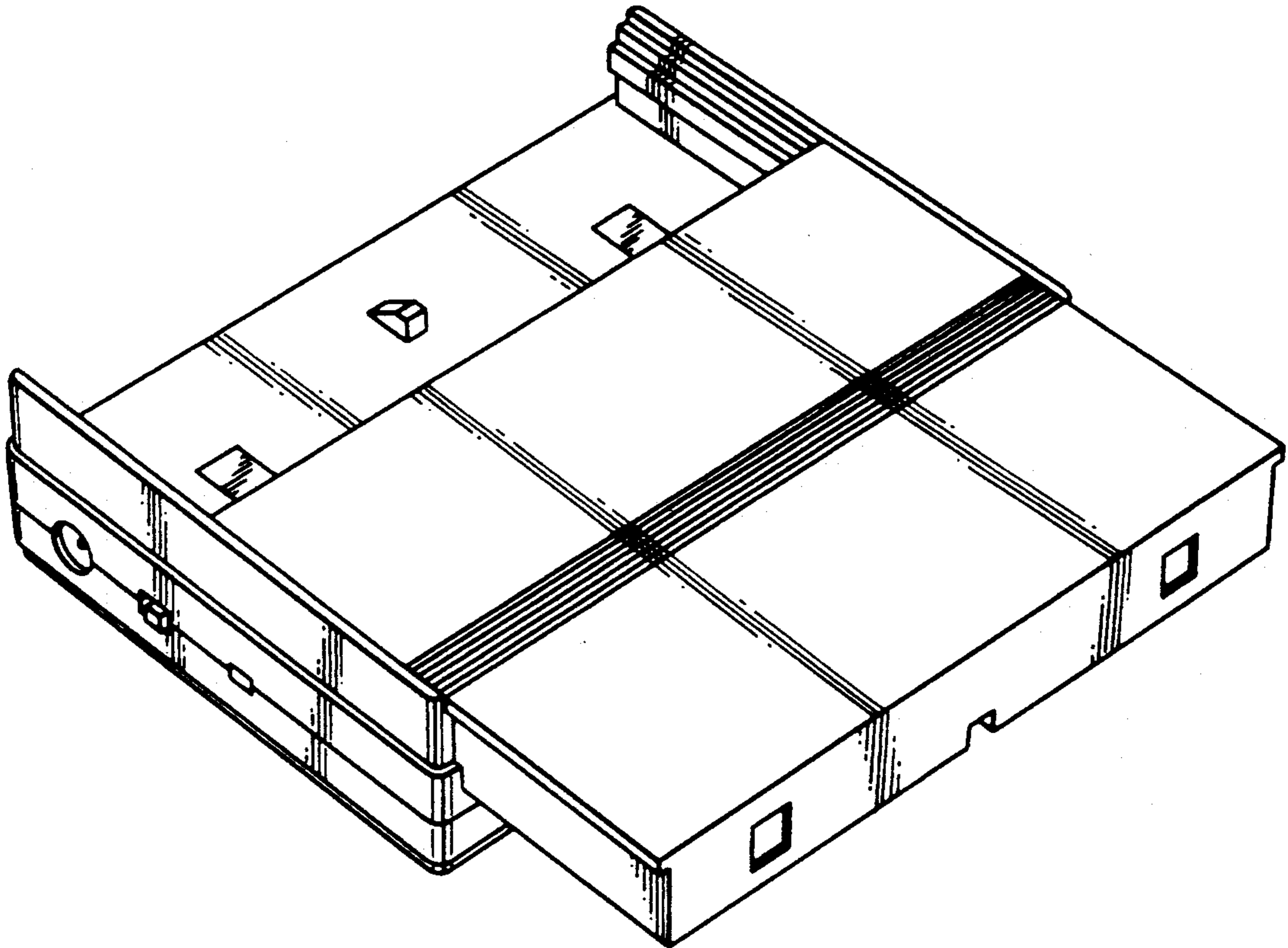


FIG. 2

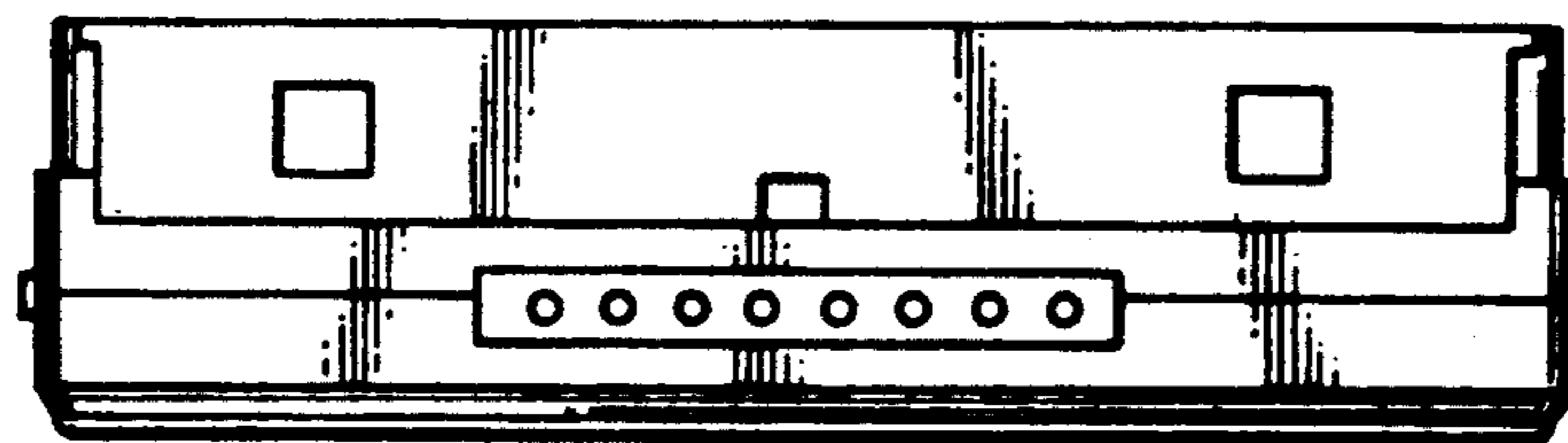


FIG.3

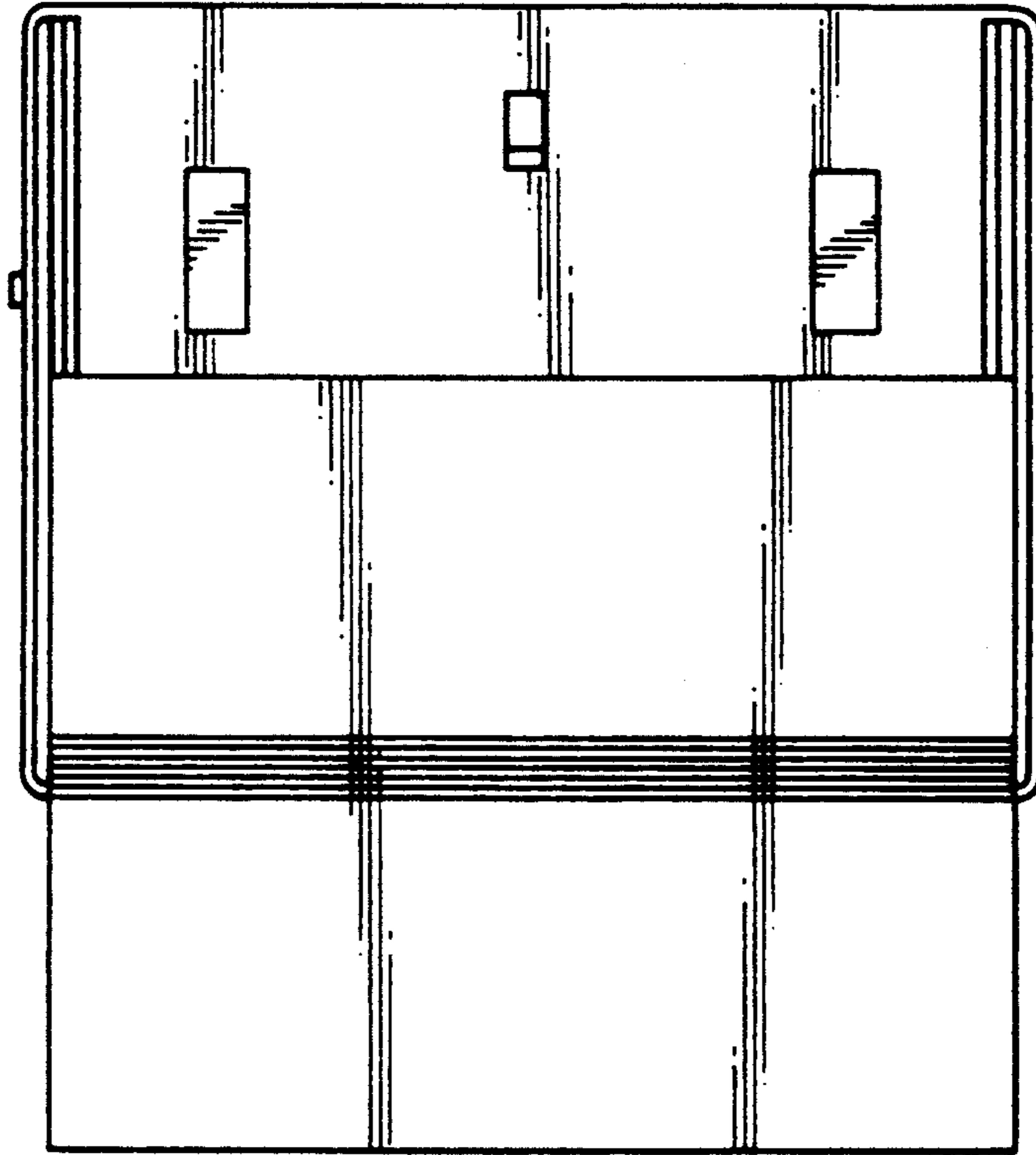


FIG.4

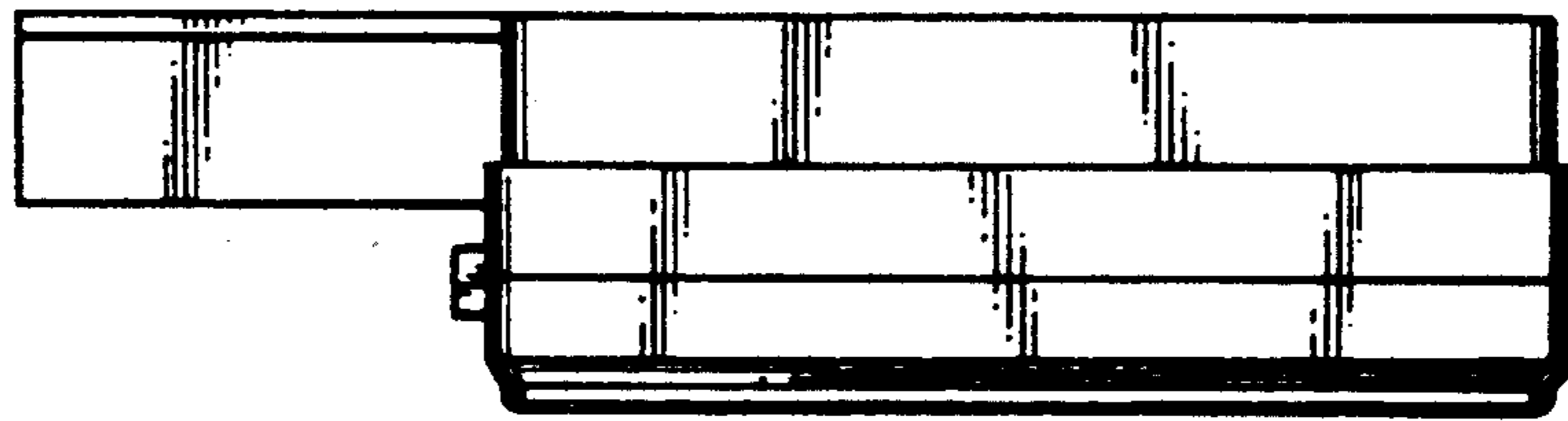


FIG.5

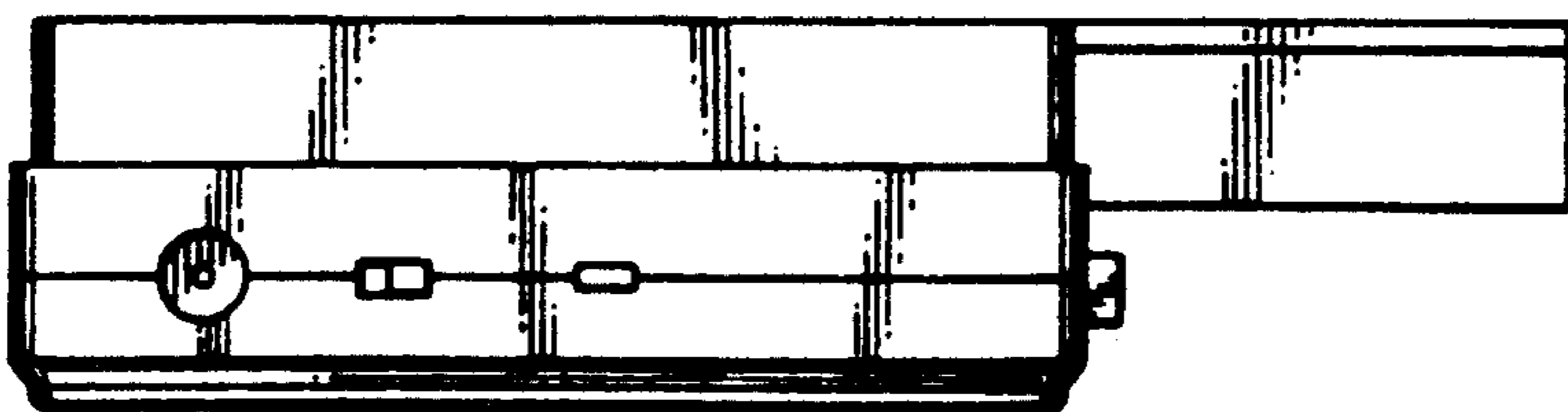


FIG.6

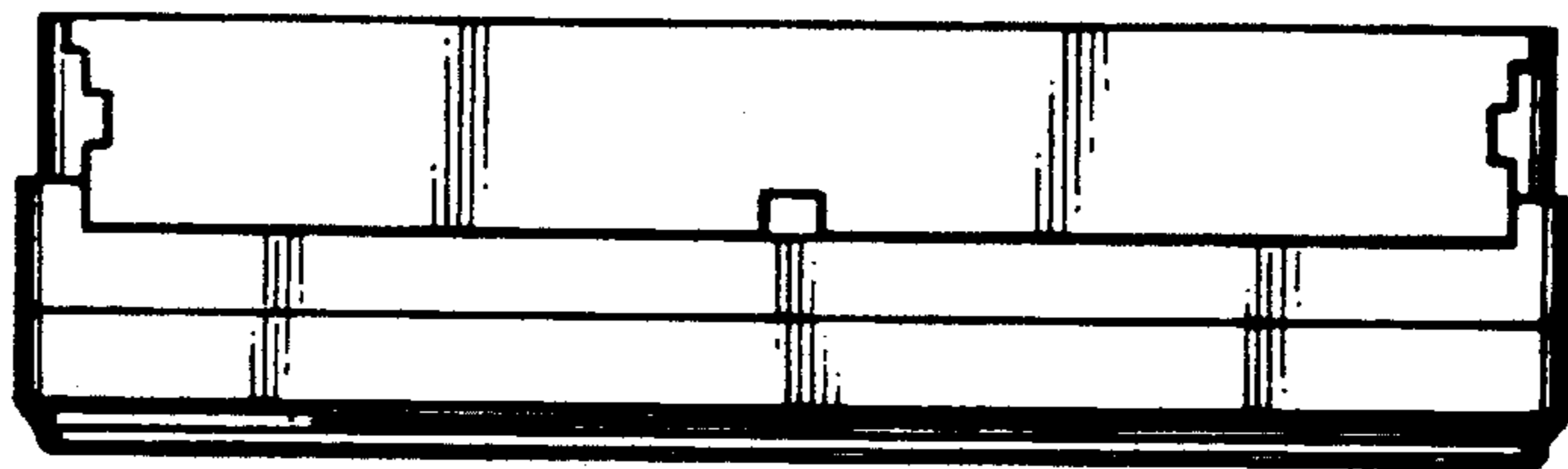


FIG.7

