



US00D331916S

# United States Patent [19]

DuBrucq

[11] Patent Number: **Des. 331,916**

[45] Date of Patent: **\*\* Dec. 22, 1992**

- [54] WIRE MANAGEMENT CHANNEL
- [75] Inventor: **Virginia R. DuBrucq**, Denver, Colo.
- [73] Assignee: **Herman Miller, Inc.**, Zeeland, Mich.
- [\*\*] Term: **14 Years**
- [21] Appl. No.: **596,352**
- [22] Filed: **Oct. 12, 1990**
- [52] U.S. Cl. .... **D13/155; D8/356; D25/125**
- [58] Field of Search ..... **D8/354, 356; 52/239, 52/287; 174/101; D25/125; D13/155**

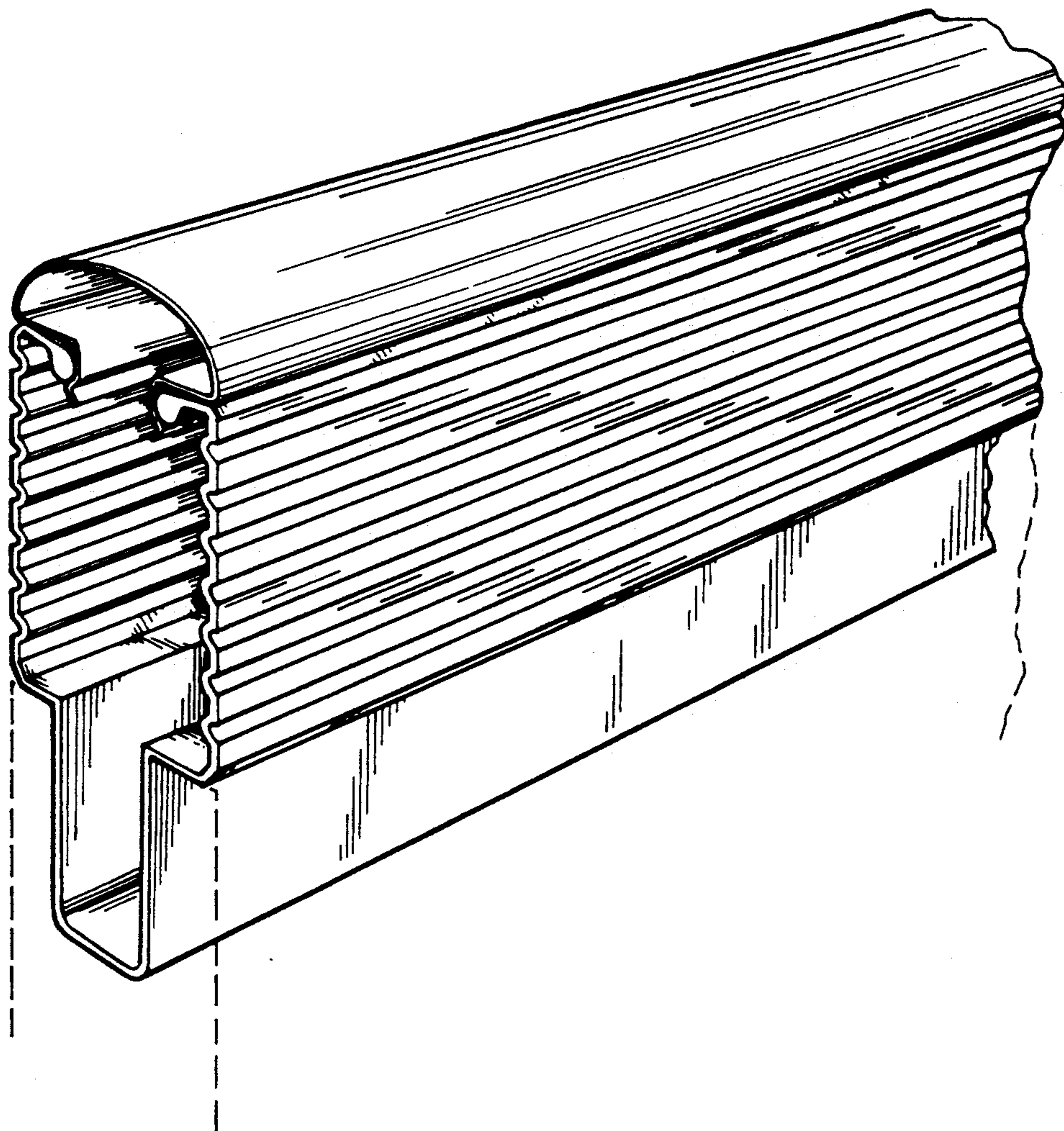
- 4,423,284 12/1983 Kaplan ..... 174/101
- 4,602,124 7/1986 Santucci .
- 4,891,922 1/1990 Hozer et al. .

*Primary Examiner*—Wallace R. Burke  
*Assistant Examiner*—H. Baynham  
*Attorney, Agent, or Firm*—Varnum, Riddering, Schmidt & Howlett

- [56] **References Cited**
- U.S. PATENT DOCUMENTS**
- D. 251,779 5/1979 Wolff et al. .... D13/155
- D. 283,446 4/1986 Borkinshaw ..... D25/125
- D. 295,521 5/1988 Mackett ..... D8/395
- 3,118,017 1/1964 Wimbish .
- 3,325,585 6/1967 Brenneman ..... 52/287 X
- 3,403,220 9/1968 Riedel et al. .... 174/101

[57] **CLAIM**  
 The ornamental design for a wire management channel, as shown and described.

**DESCRIPTION**  
 FIG. 1 is a perspective view of a wire management channel showing my new design;  
 FIG. 2 is a right side elevational view thereof, the left side being a mirror image thereof;  
 FIG. 3 is a front elevational view thereof;  
 FIG. 4 is a plan view thereof; and,  
 FIG. 5 is a bottom plan view thereof.  
 The channel is shown broken away in FIGS. 1, 3-5 to indicate indeterminate length.



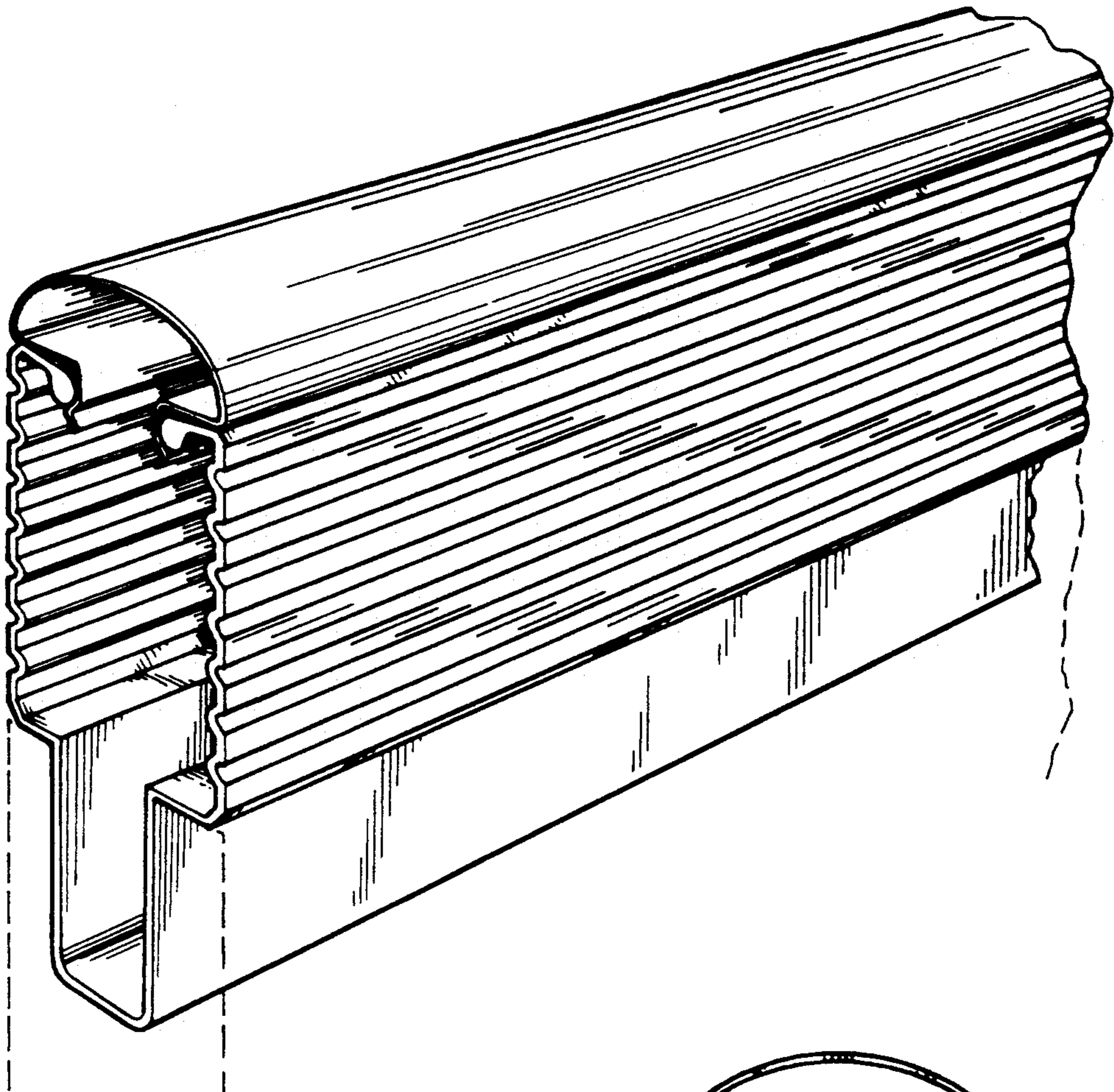


FIG. 1

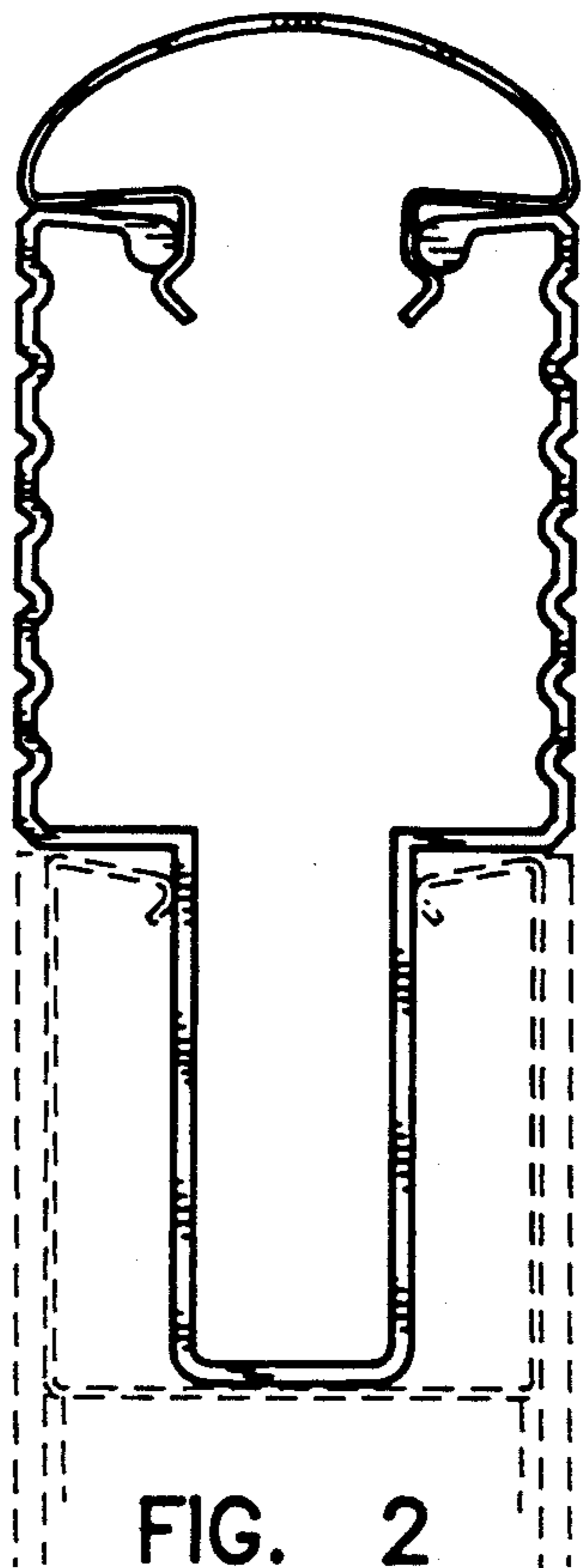


FIG. 2

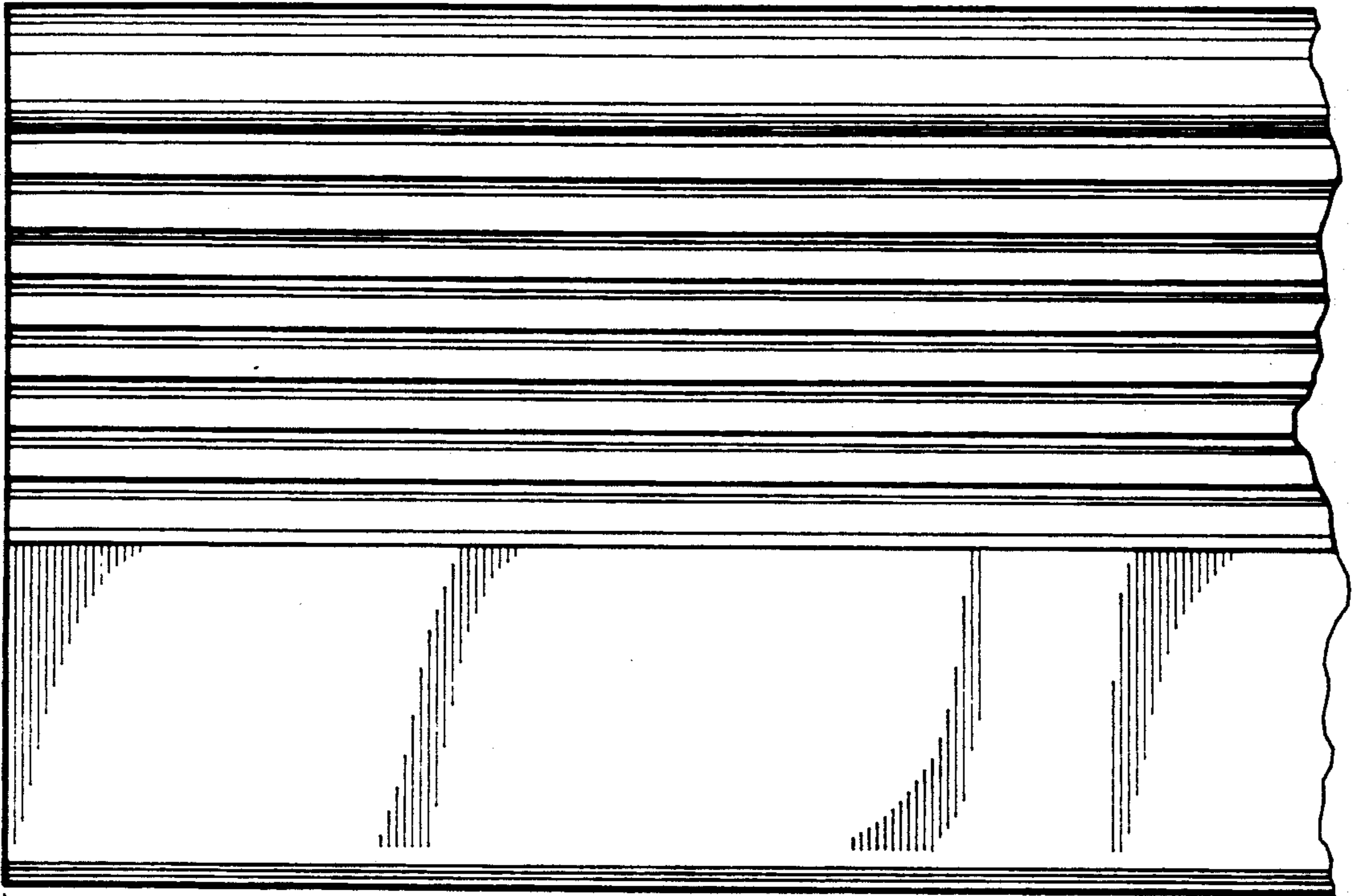


FIG. 3

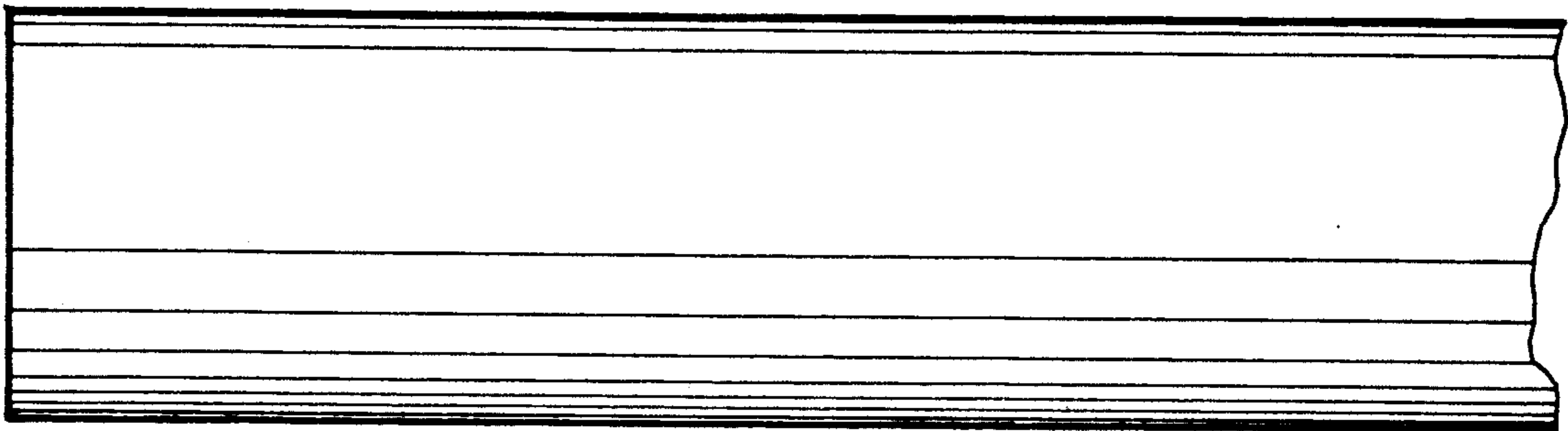


FIG. 4

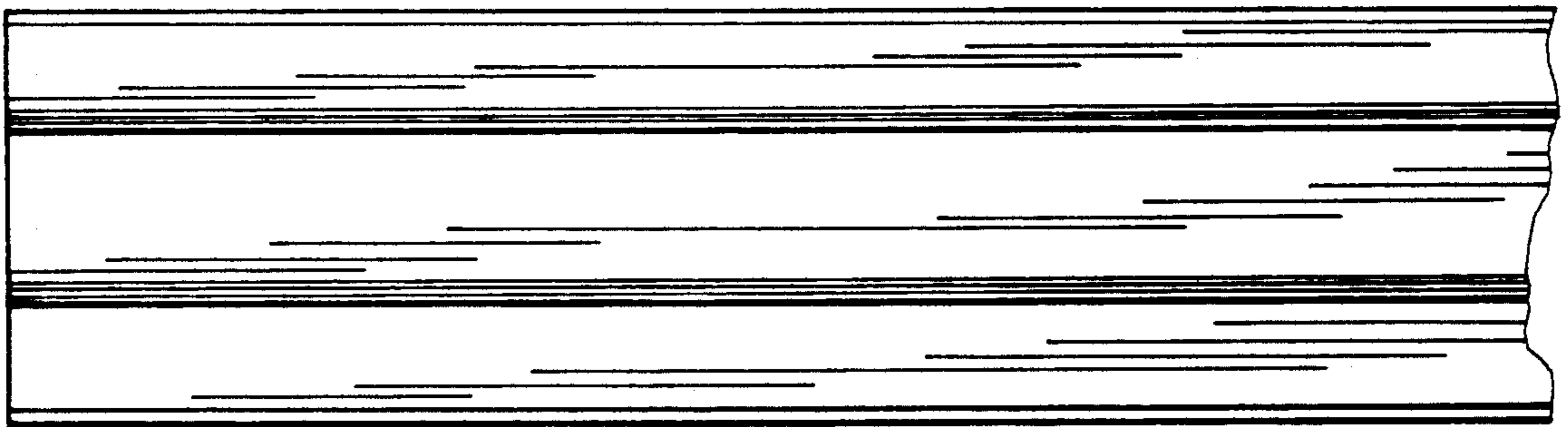


FIG. 5