



US00D331915S

United States Patent [19]

[11] Patent Number: **Des. 331,915**

Martin

[45] Date of Patent: **** Dec. 22, 1992**

[54] CONTAINER FOR AN EXTENSION CORD WITH GROUND FAULT INTERRUPTER

[76] Inventor: **Myrna Martin**, 10554 Kaufman Rd. NE., Silverton, Oreg. 97381

[**] Term: **14 Years**

[21] Appl. No.: **483,008**

[22] Filed: **Feb. 22, 1990**

[52] U.S. Cl. **D13/154**

[58] Field of Search D13/160; 361/42, 45, 361/115, 394, 399; 439/106; 242/96

[56] References Cited

U.S. PATENT DOCUMENTS

D. 166,472	4/1952	Kaplan	D2/321
4,061,290	12/1977	Harrill	191/12.4
4,429,839	2/1984	Jessamine	242/96
4,475,652	10/1984	Heard	242/96 X
4,567,544	1/1986	Ronemus	361/399
4,649,454	3/1987	Winterton	439/106
4,725,697	2/1988	Kovacik	242/96
4,846,343	7/1989	Rupert	242/96 X
4,913,369	4/1990	Lia et al.	242/96

OTHER PUBLICATIONS

GFI Cord Set on p. 113 of *New Equipment Digest* Sep. 1986.

Data Distribution Equipment on p. 12 of *Western Telematic, Inc. 1986 catalog*.

Primary Examiner—Wallace R. Burke

Assistant Examiner—Joel Sincavage

Attorney, Agent, or Firm—Terry M. Gernstein

[57] CLAIM

The ornamental design for a container for an extension cord with ground fault interrupter, as shown and described.

DESCRIPTION

FIG. 1 is a top and front perspective view of a container for an extension cord with ground fault interrupter showing my new design in the open condition; FIG. 2 is a side elevational view thereof; FIG. 3 is a front elevational view thereof; FIG. 4 is a rear elevational view thereof; FIG. 5 is a top plan view thereof; and, FIG. 6 is a bottom view thereof.

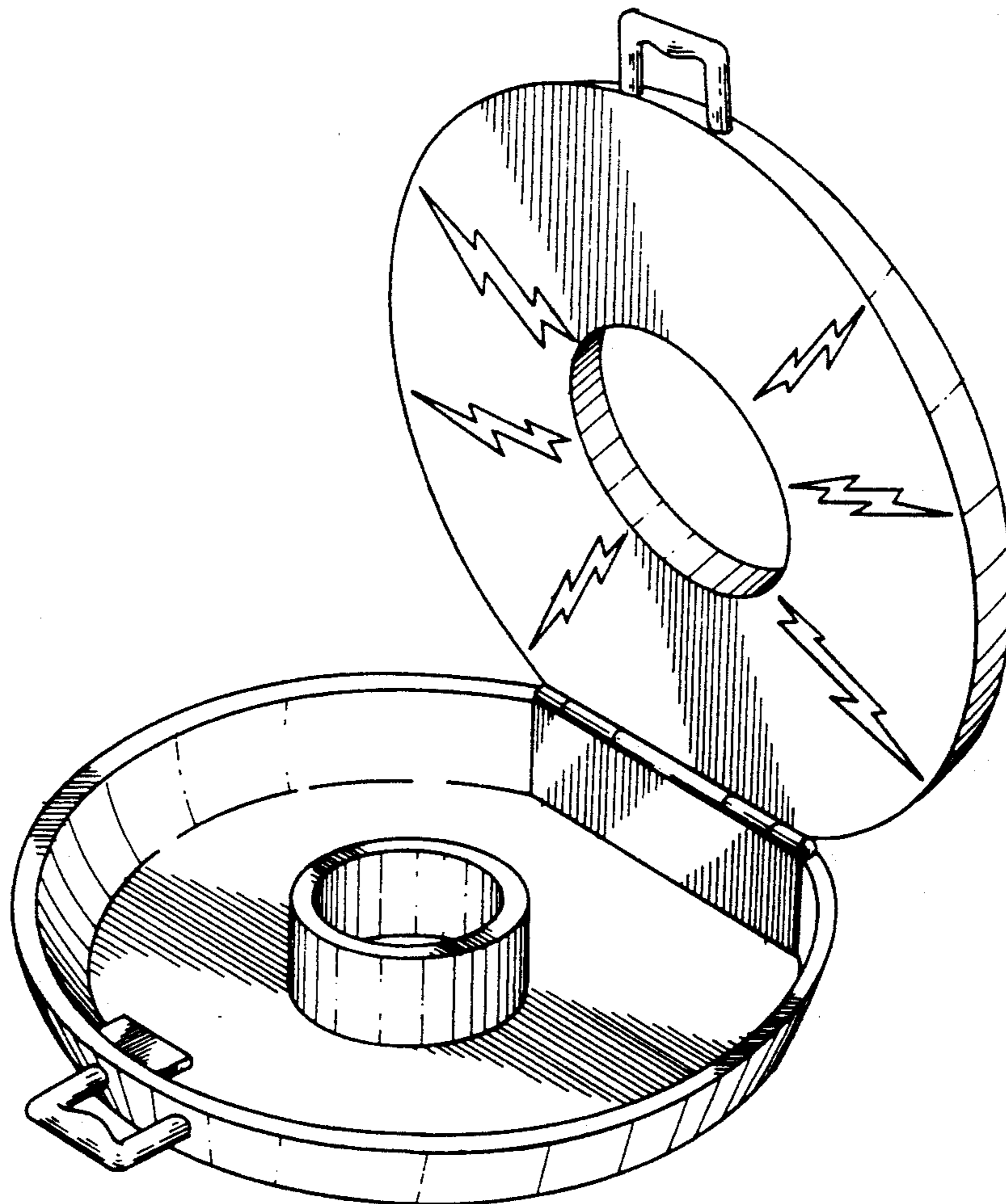
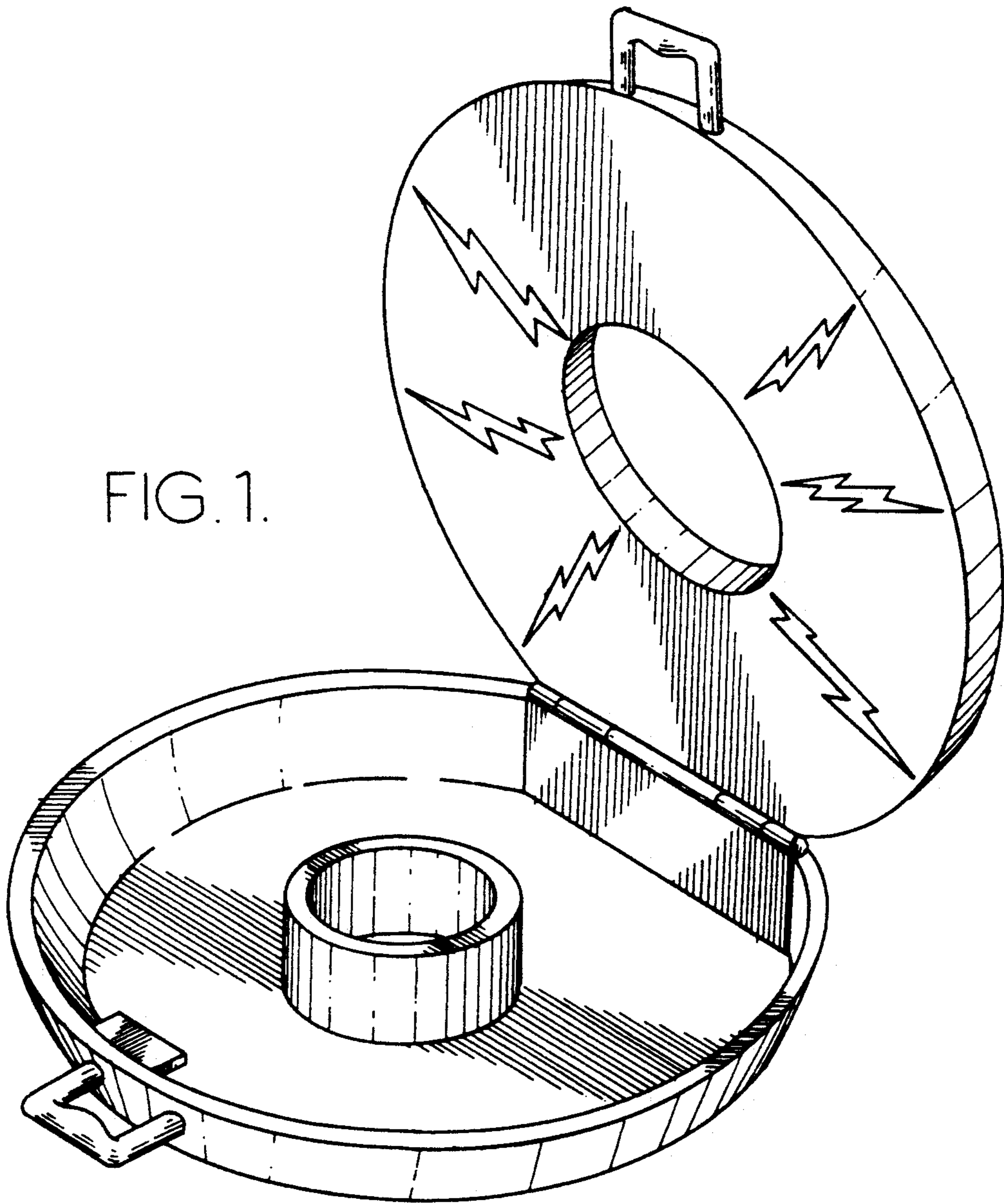


FIG. 1.



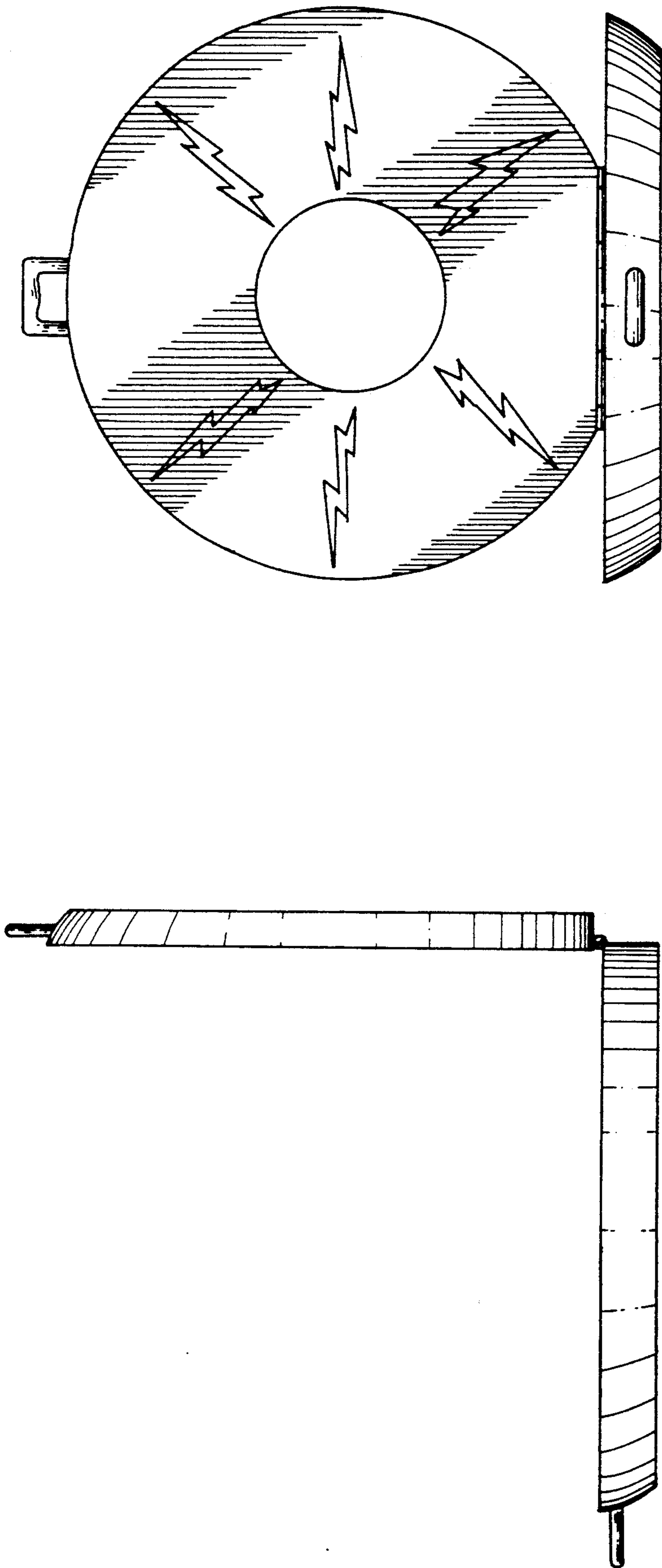


FIG. 2.

FIG. 3.

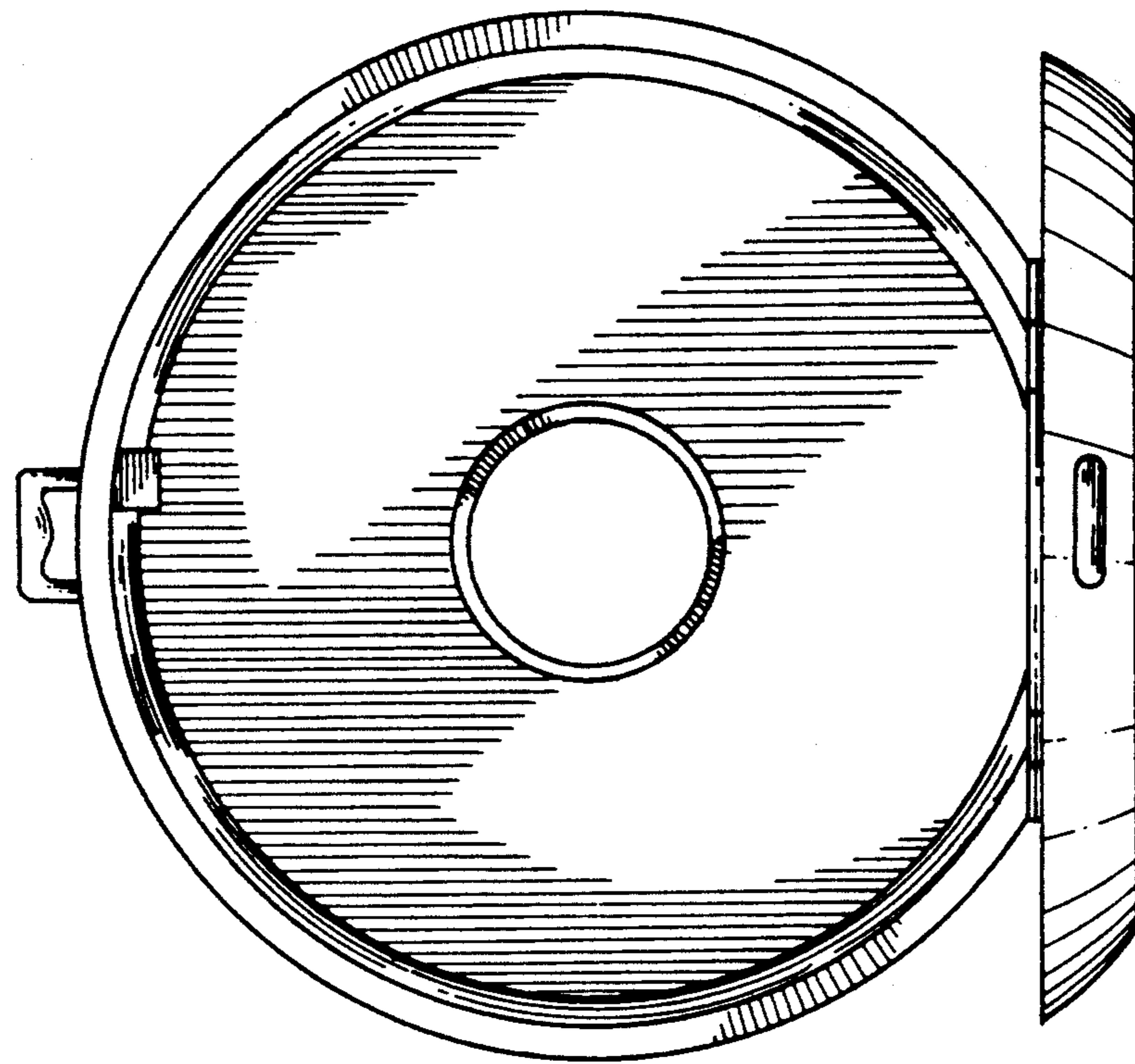


FIG. 5.

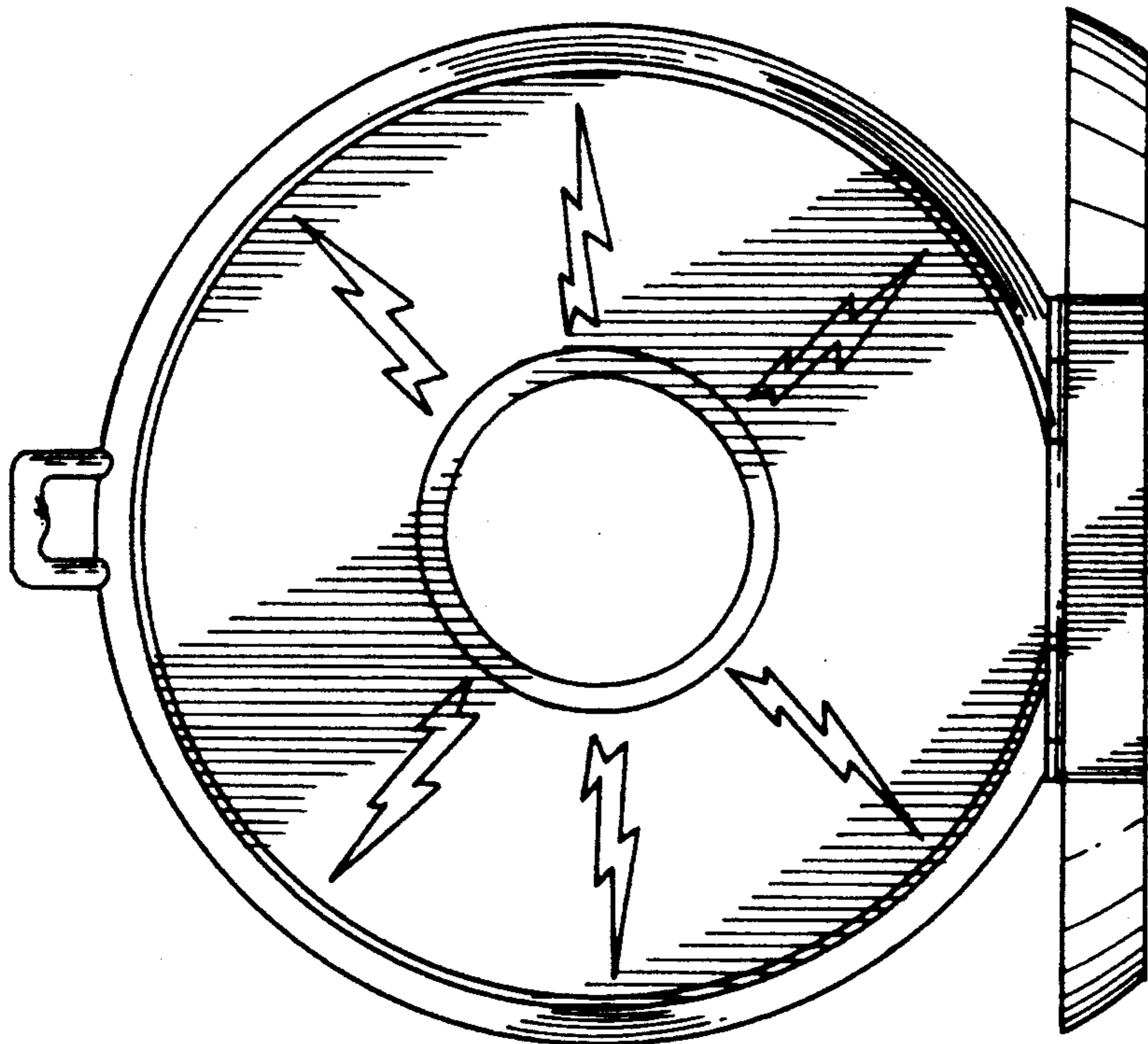


FIG. 4.

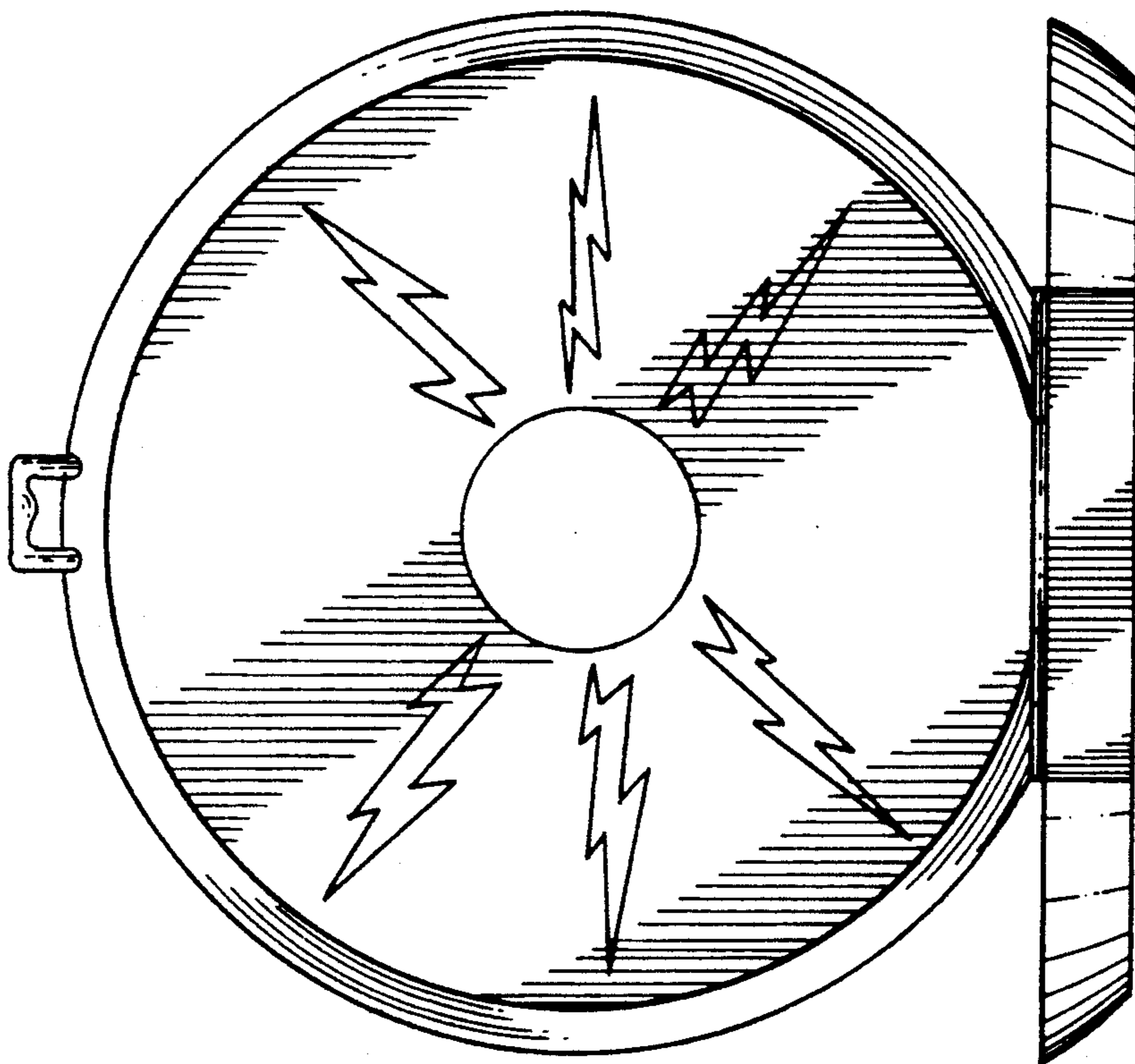


FIG. 6.