



US00D331914S

# United States Patent [19]

Sato et al.

[11] Patent Number: **Des. 331,914**

[45] Date of Patent: **\*\* Dec. 22, 1992**

## [54] ELECTRICAL CONNECTOR

[75] Inventors: **Kensaku Sato; Akira Shirai**, both of Tokyo, Japan

[73] Assignee: **Hirose Electric Co., Ltd.**, Tokyo, Japan

[\*\*] Term: **14 Years**

[21] Appl. No.: **668,469**

[22] Filed: **Mar. 13, 1991**

### [30] Foreign Application Priority Data

Sep. 13, 1990 [JP] Japan ..... D2-30651

[52] U.S. Cl. .... **D13/147**

[58] Field of Search ..... D13/133, 146, 147; 439/282, 292, 378, 483, 527, 533, 569, 572, 573, 594, 620, 701

### [56] References Cited

#### U.S. PATENT DOCUMENTS

3,112,974 12/1963 Curtis et al. .... D13/147 X  
4,659,163 4/1987 Althouse et al. .... 439/620 X  
4,753,613 6/1988 Morgan ..... 439/701

### FOREIGN PATENT DOCUMENTS

1031376 6/1966 United Kingdom ..... 439/378

### OTHER PUBLICATIONS

Connector on p. 16 of Elco Corp. Connector Guide OK-768, 1968.

*Primary Examiner*—Wallace R. Burke

*Assistant Examiner*—Joel Sincavage

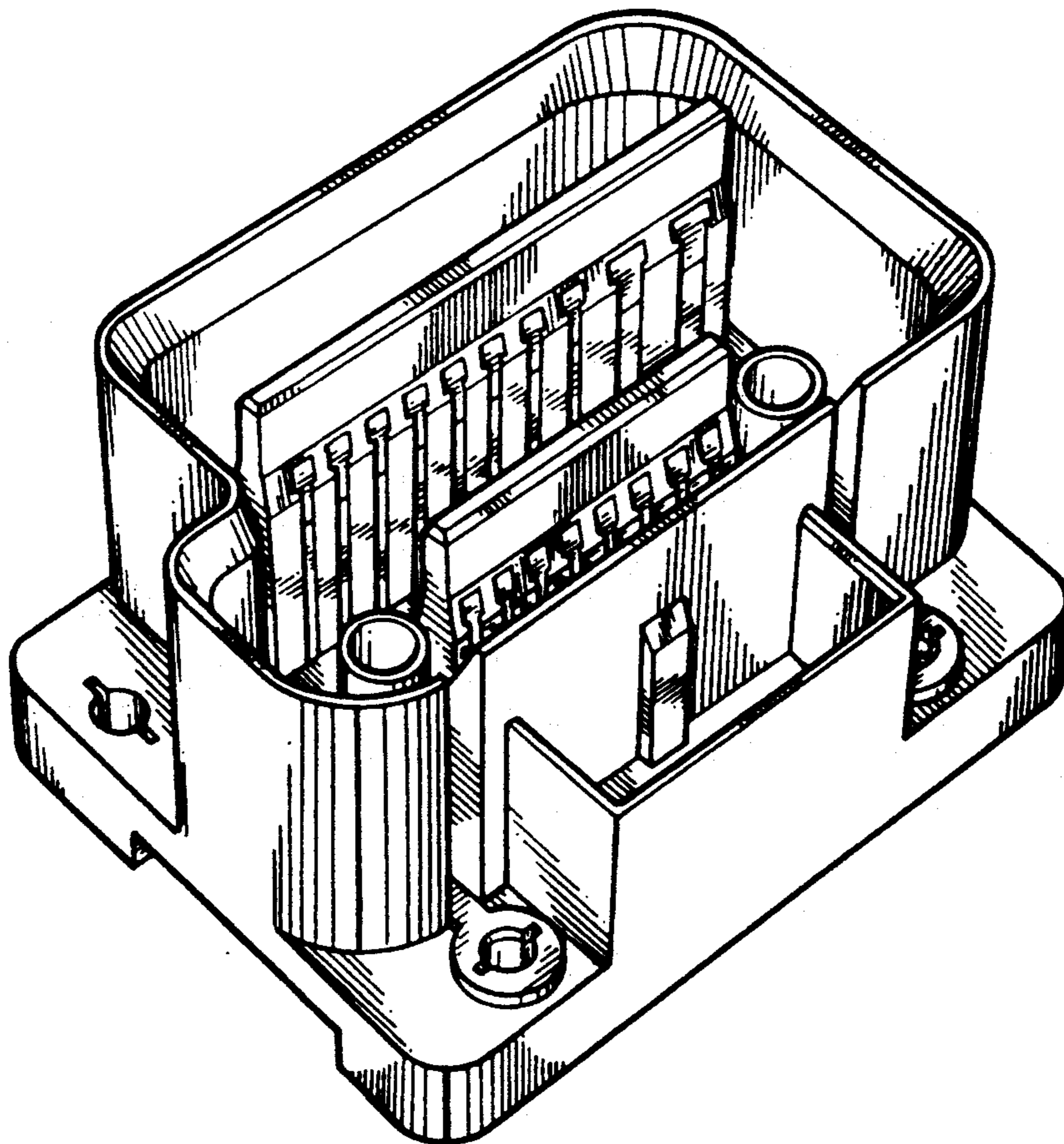
*Attorney, Agent, or Firm*—Kanesaka & Takeuchi

### [57] CLAIM

The ornamental design for an electrical connector, as shown and described.

### DESCRIPTION

FIG. 1 is a perspective view of an electrical connector showing an embodiment of our new design; FIG. 2 is a right side elevational view thereof; FIG. 3 is a left side elevational view thereof; FIG. 4 is a front elevational view thereof; FIG. 5 is a rear elevational view thereof; FIG. 6 is a top plan view thereof; and, FIG. 7 is a bottom plan view thereof.



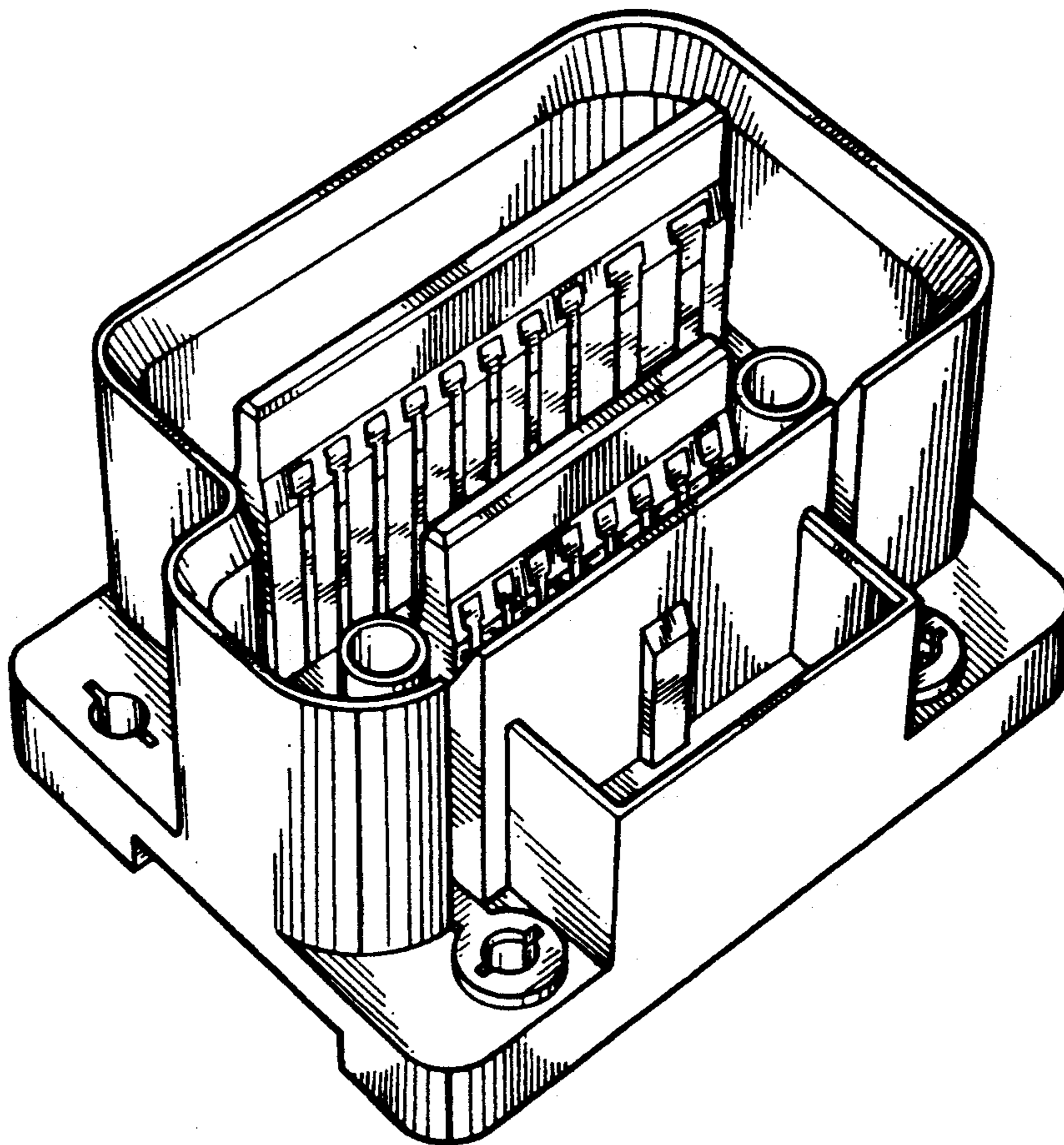


FIG. 1

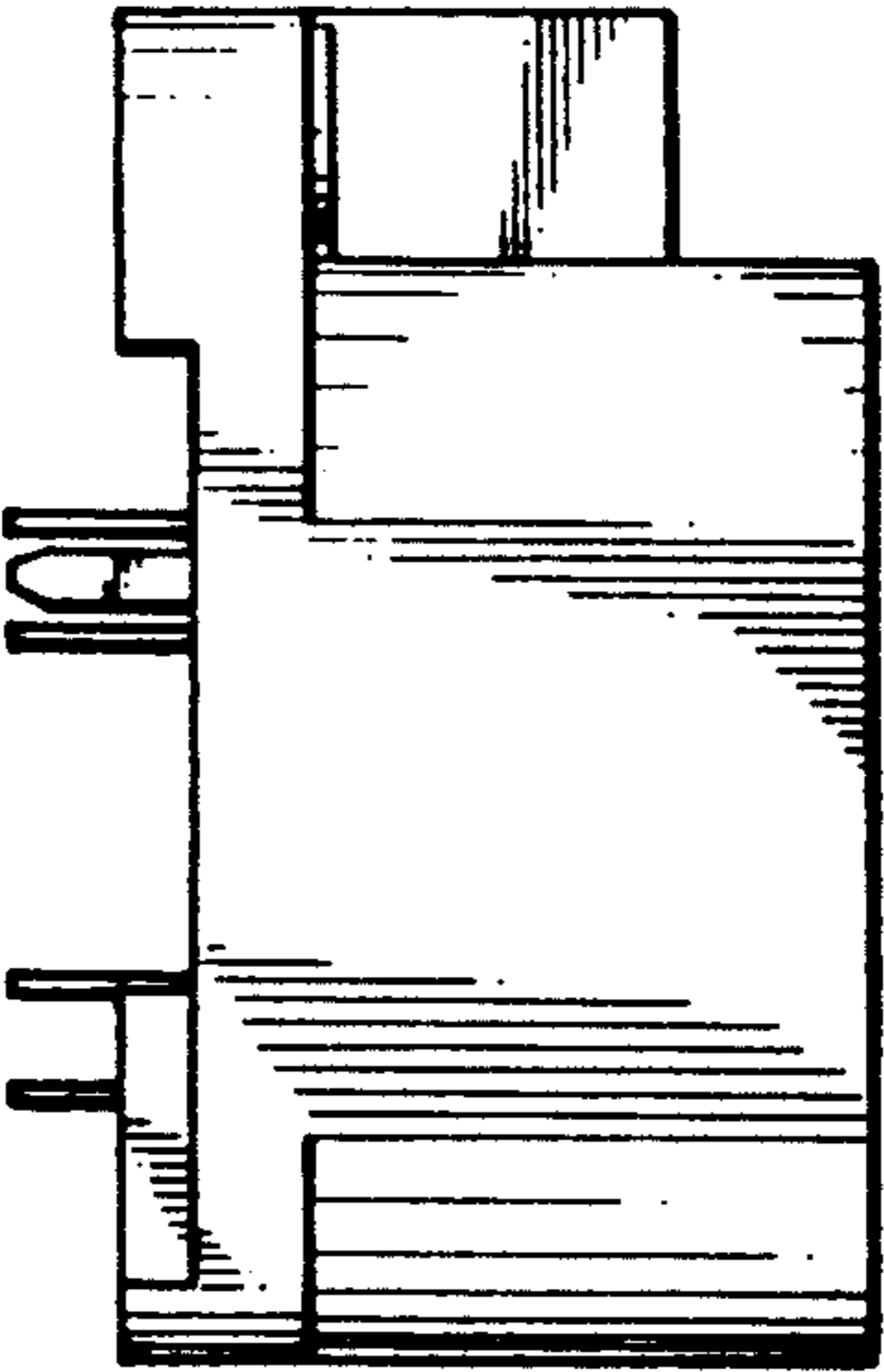


FIG. 2

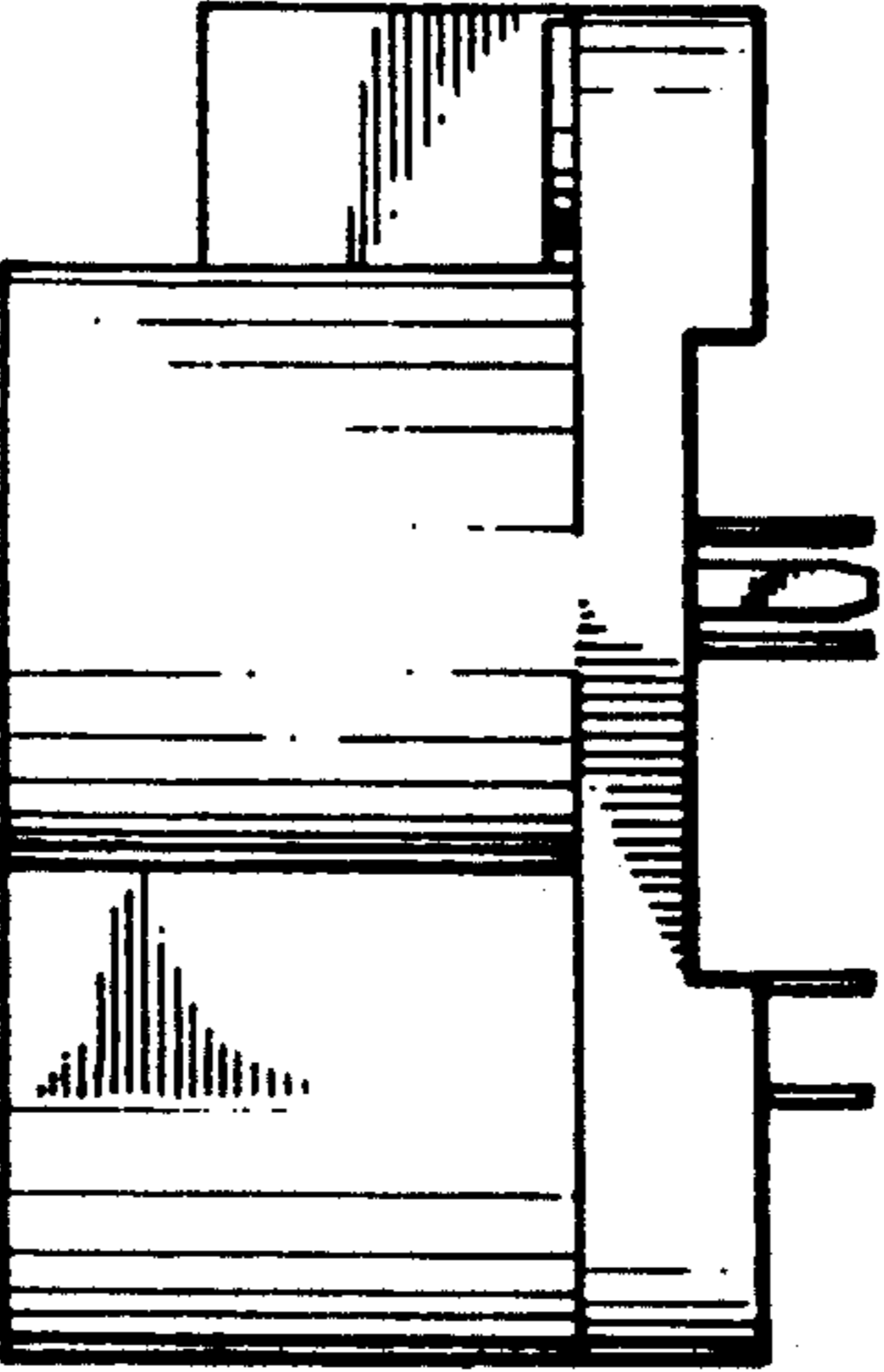


FIG. 3

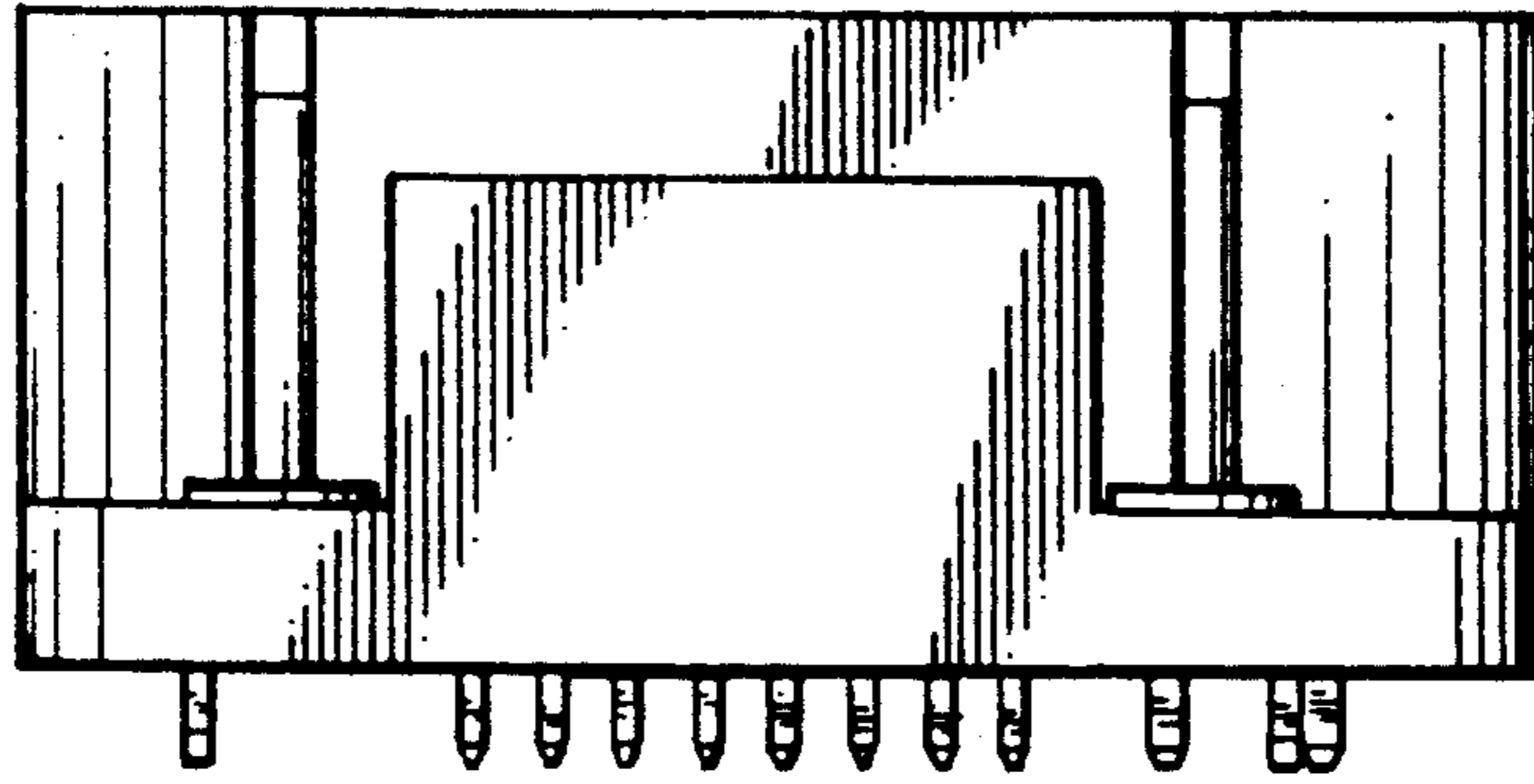


FIG. 4

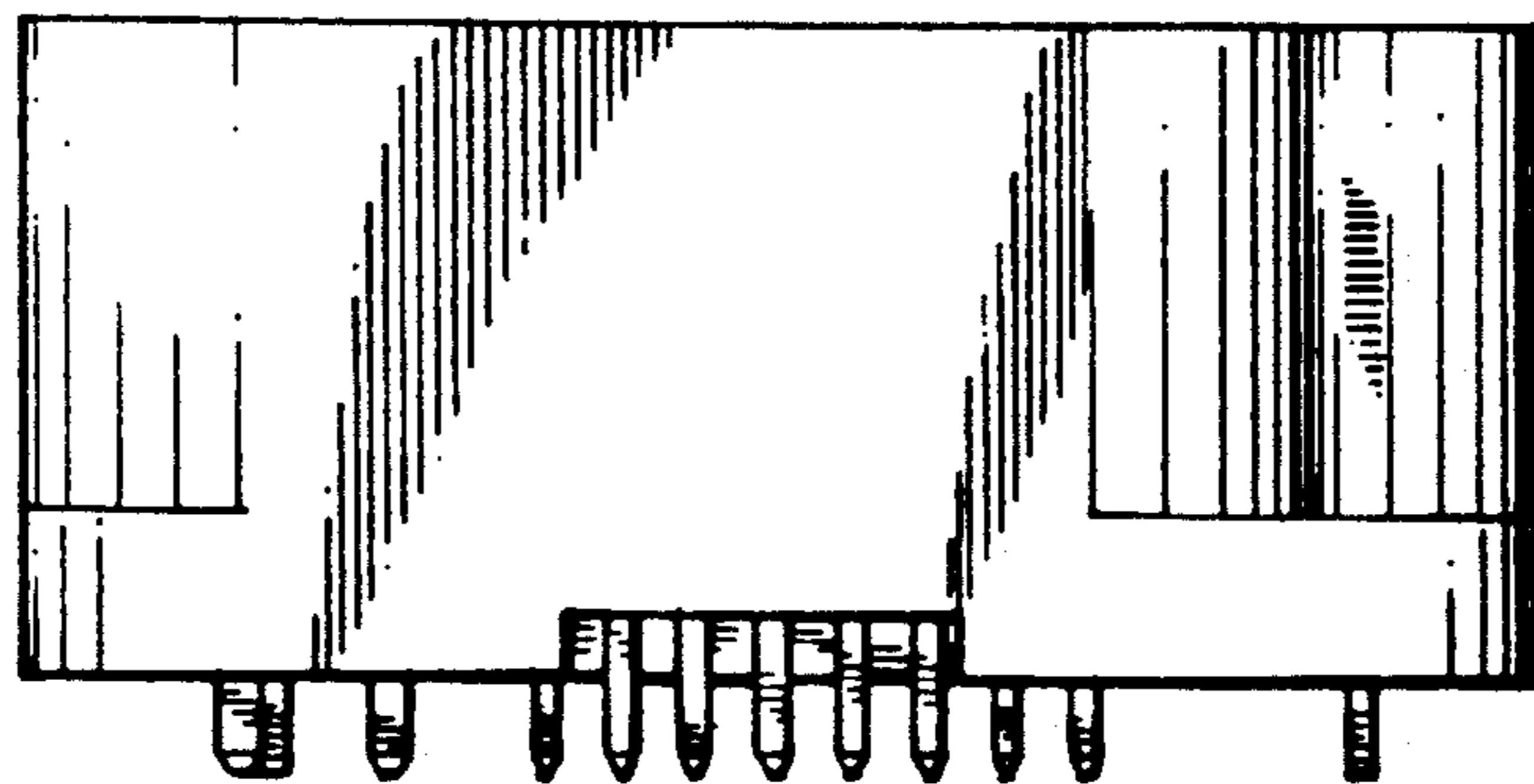


FIG. 5

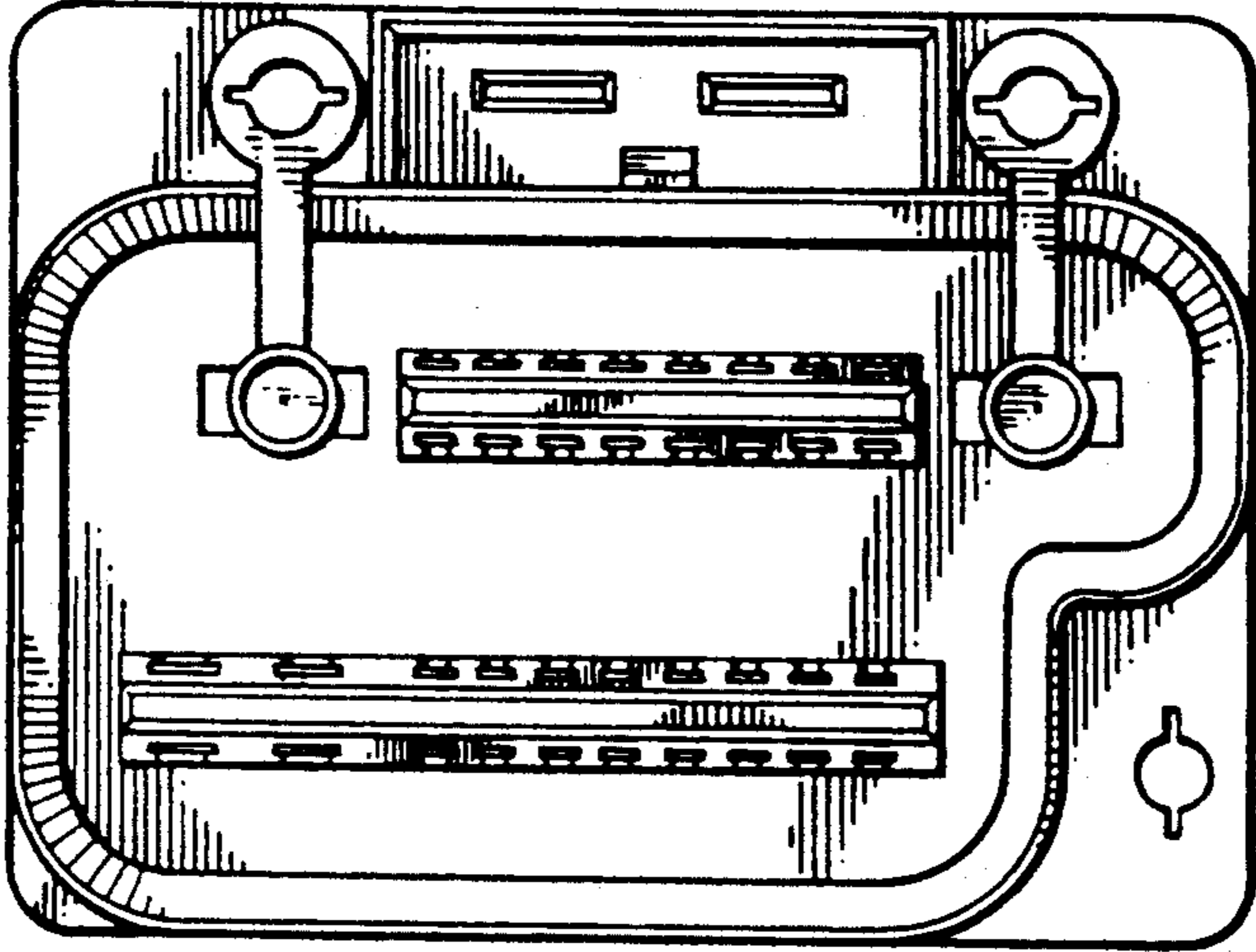


FIG. 6

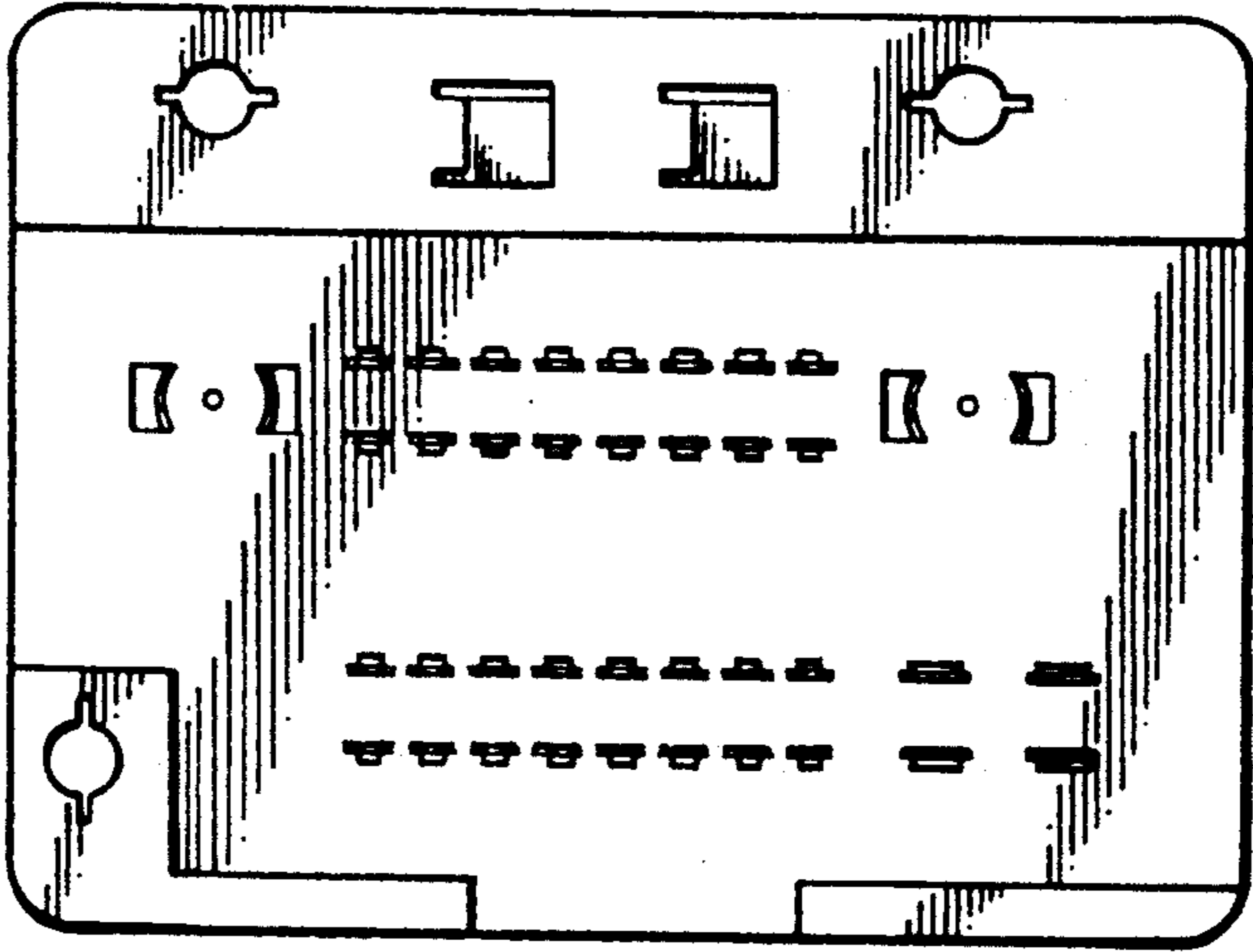


FIG. 7