



US00D331910S

# United States Patent [19]

Sato et al.

[11] Patent Number: **Des. 331,910**

[45] Date of Patent: **\*\* Dec. 22, 1992**

[54] **ELECTRICAL CONNECTOR HOUSING**

[75] Inventors: **Kensaku Sato; Naohisa Nakata**, both of Tokyo, Japan

[73] Assignee: **Hirose Electric Co., Ltd.**, Tokyo, Japan

[\*\*] Term: **14 Years**

[21] Appl. No.: **668,466**

[22] Filed: **Mar. 13, 1991**

[30] **Foreign Application Priority Data**

Sep. 14, 1990 [JP] Japan ..... 2-30770

[52] U.S. Cl. .... **D13/133**

[58] Field of Search ..... D13/133, 146, 147; 439/282, 292, 345, 346, 352, 353, 354, 357, 358, 374, 483, 594, 680

[56] **References Cited**

### U.S. PATENT DOCUMENTS

- D. 276,803 12/1984 Moriai et al. .... D13/147
- D. 277,750 2/1985 Ito et al. .... D13/147

- 4,634,204 1/1987 Detter et al. .... 439/352 X
- 4,884,978 12/1989 Inaba et al. .... 439/354 X
- 5,069,639 12/1991 Kodama et al. .... 439/594 X

### FOREIGN PATENT DOCUMENTS

- 0050574 4/1982 European Pat. Off. .... 439/345
- 2519556 11/1975 Fed. Rep. of Germany ..... 439/680

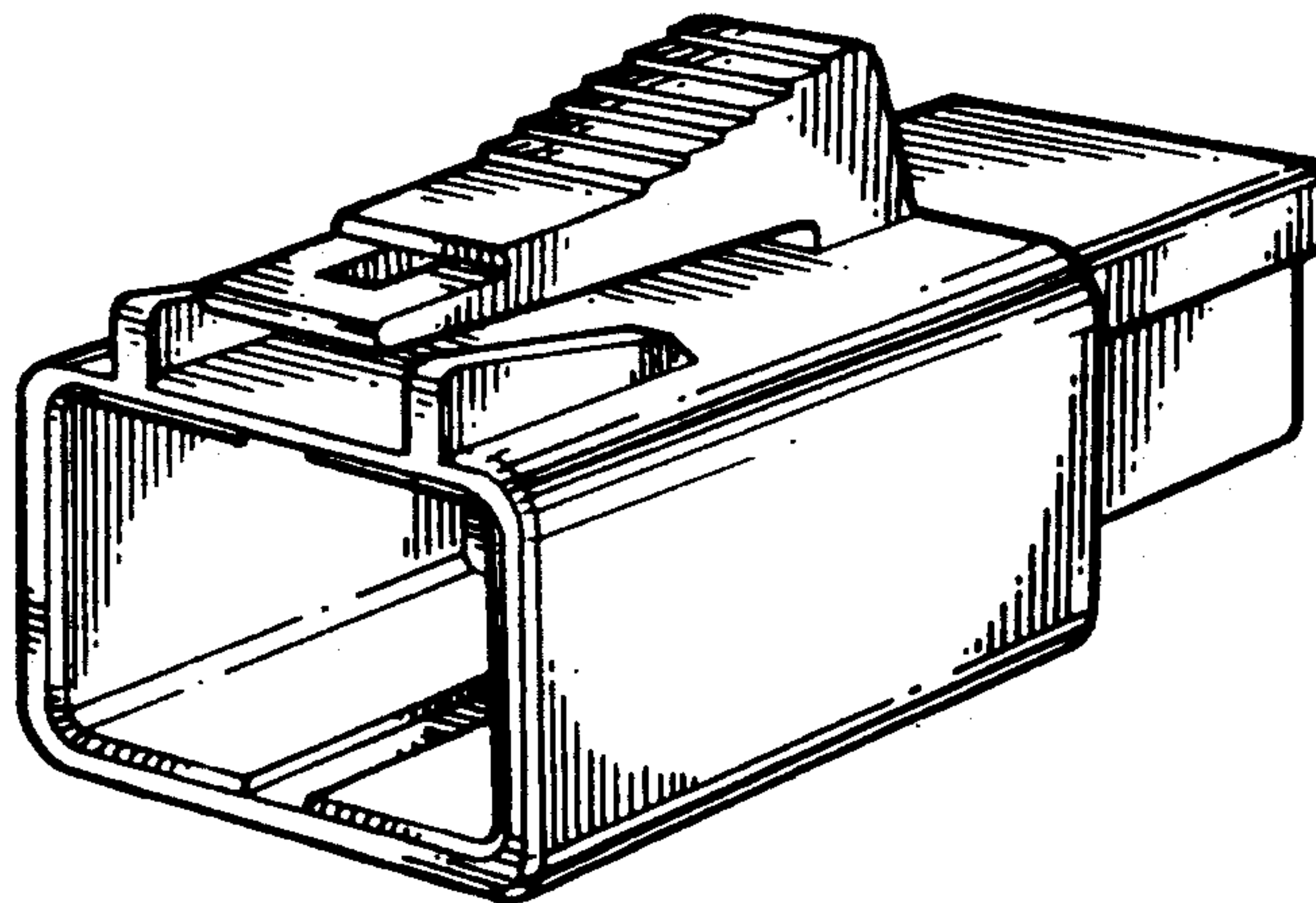
*Primary Examiner*—Wallace R. Burke  
*Assistant Examiner*—Joel Sincavage  
*Attorney, Agent, or Firm*—Kanesaka & Takeuchi

### [57] CLAIM

The ornamental design for an electrical connector housing, as shown and described.

### DESCRIPTION

FIG. 1 is a perspective view of an electrical connector housing showing an embodiment of our new design; FIG. 2 is a front elevational view thereof; FIG. 3 is a rear elevational view thereof; FIG. 4 is a top plan view thereof; FIG. 5 is a side elevational view thereof, the opposite side being a mirror image; and, FIG. 6 is a bottom plan view thereof.



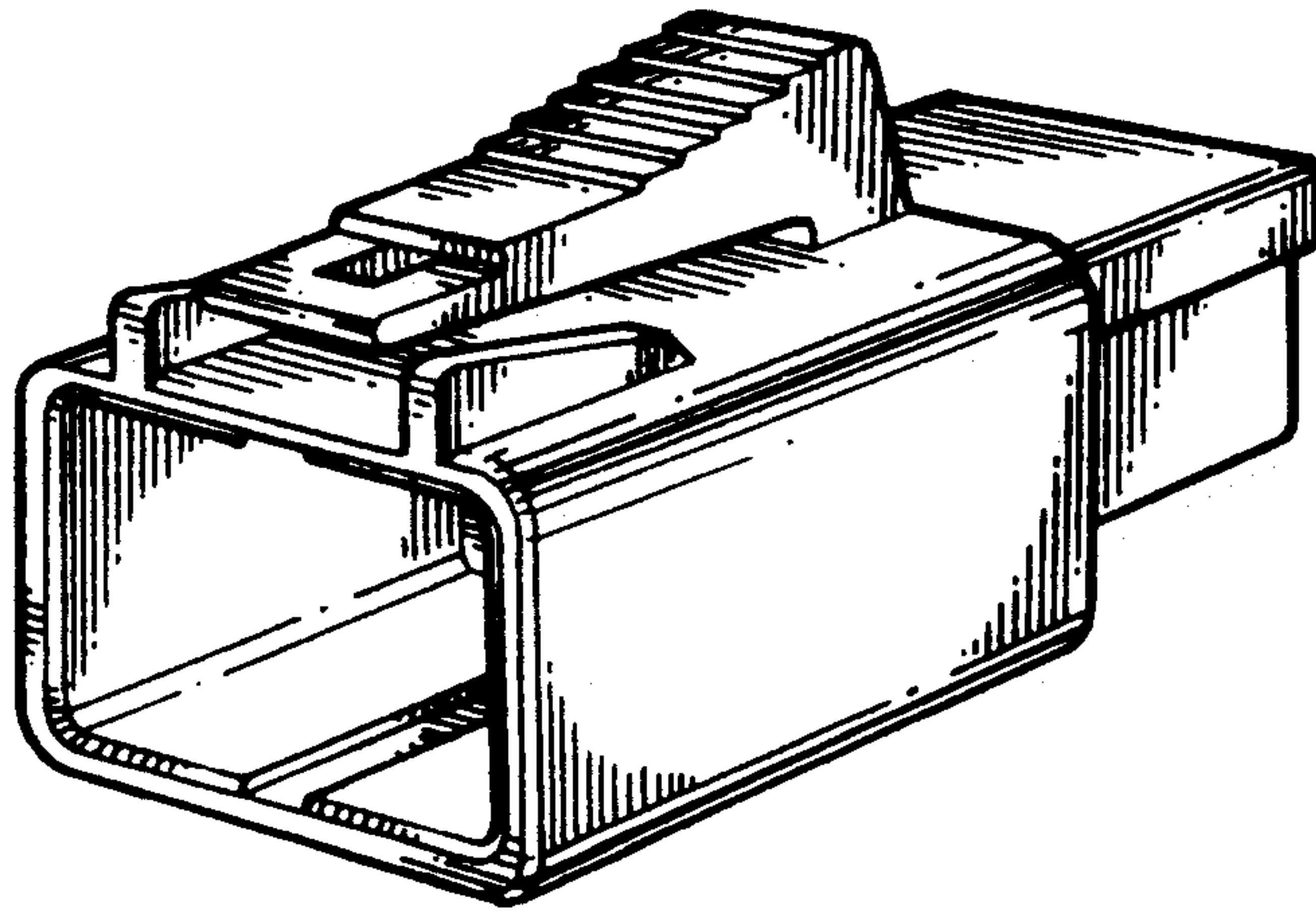


FIG. 1

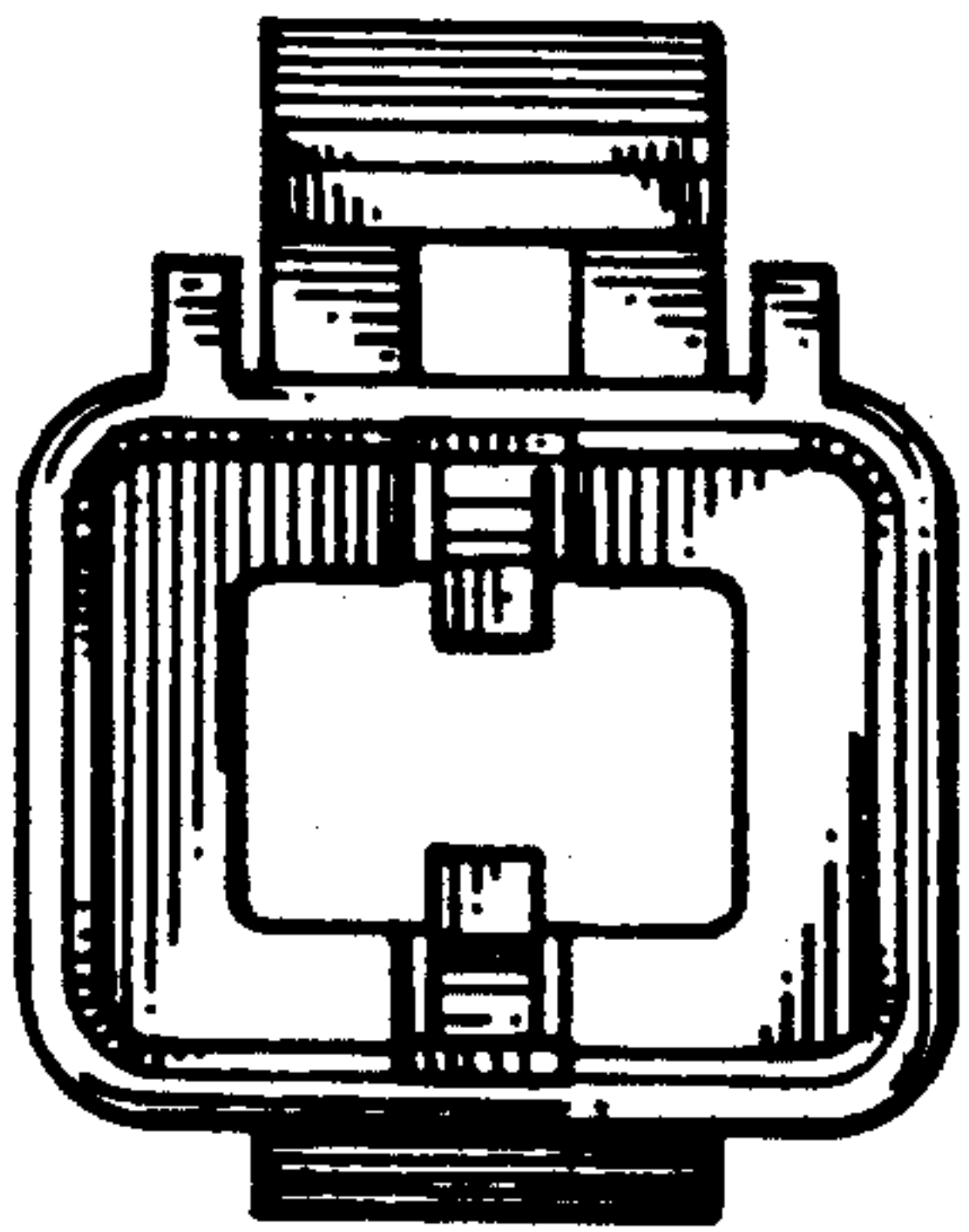


FIG. 2

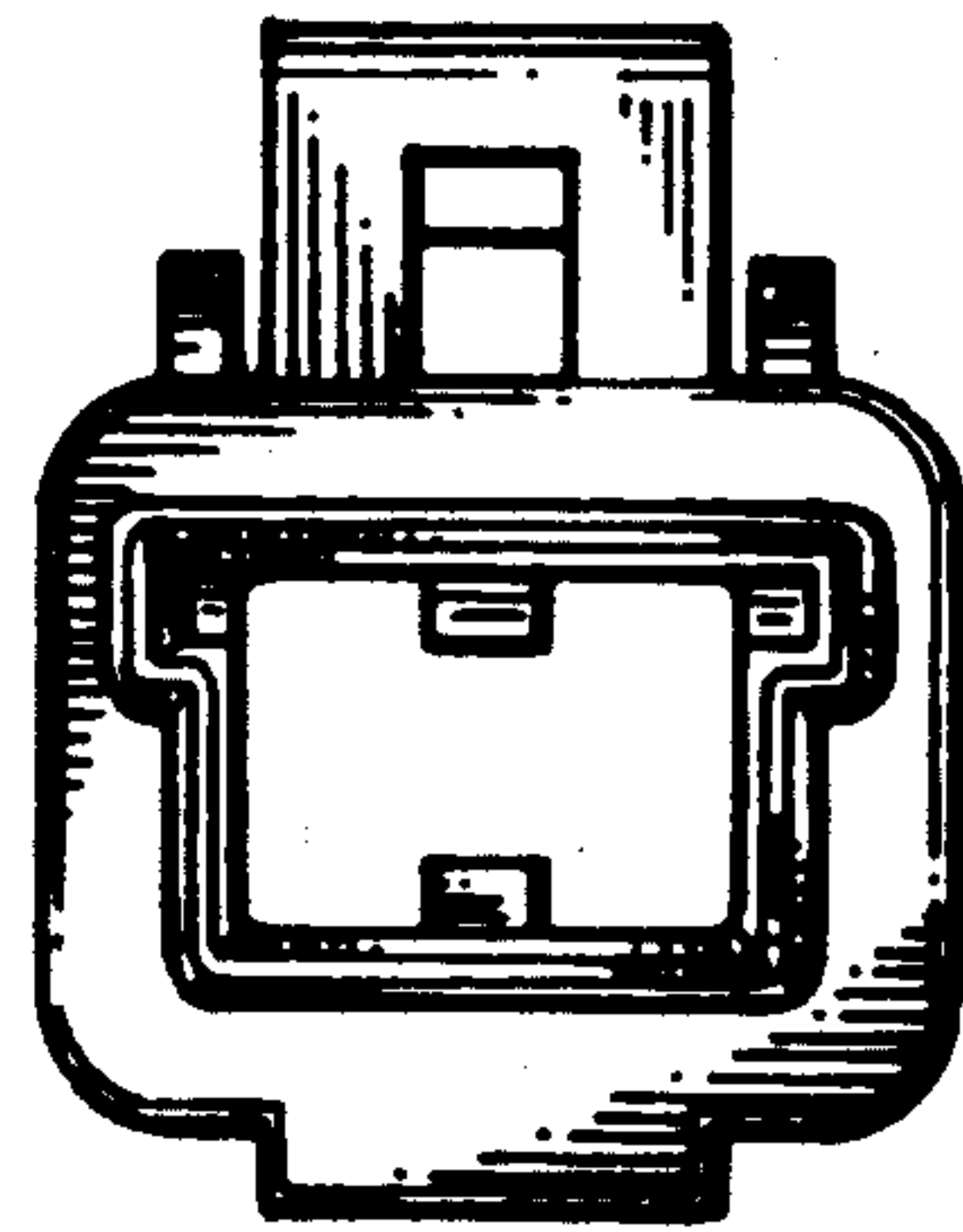


FIG. 3

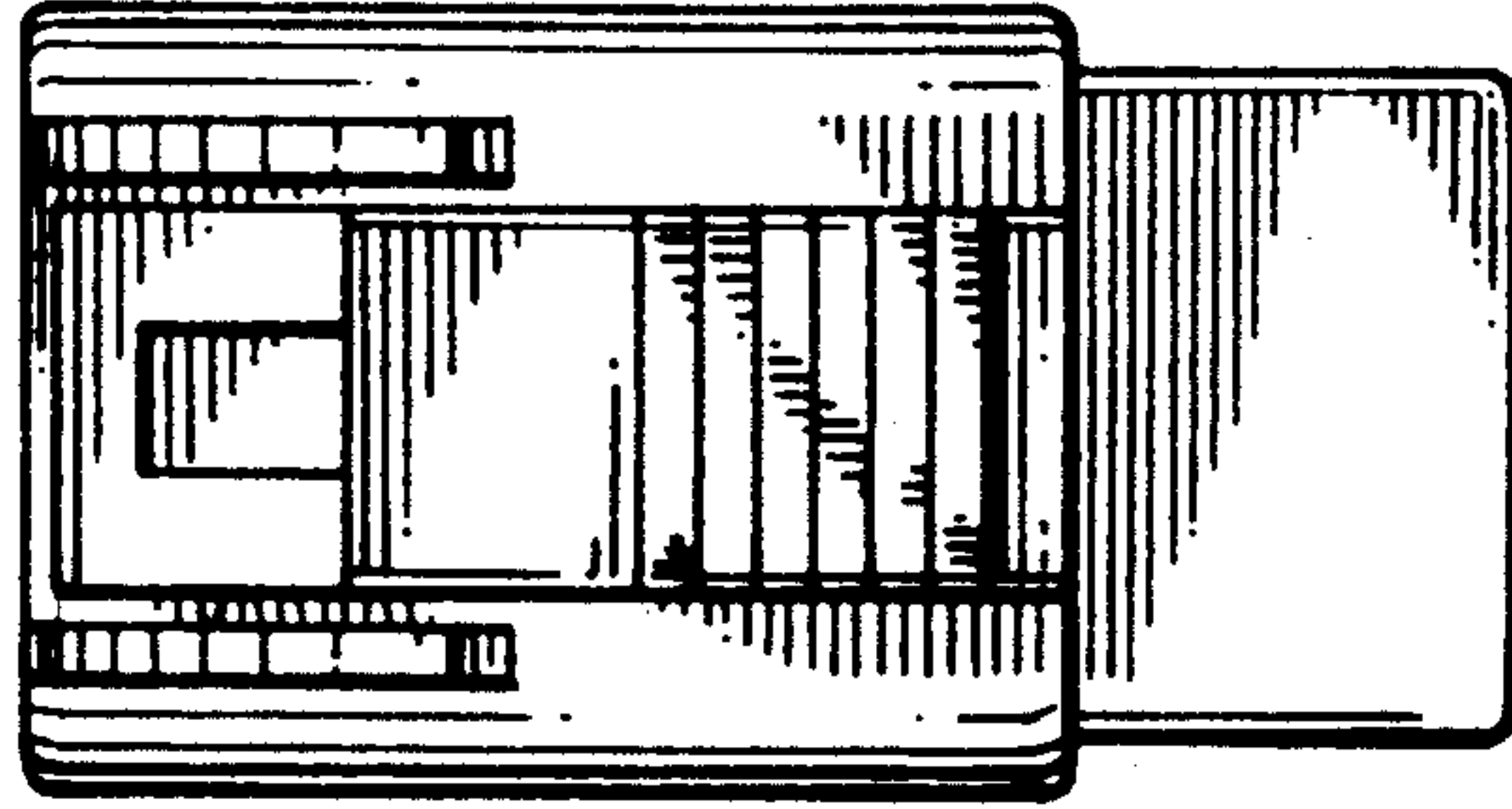


FIG. 4

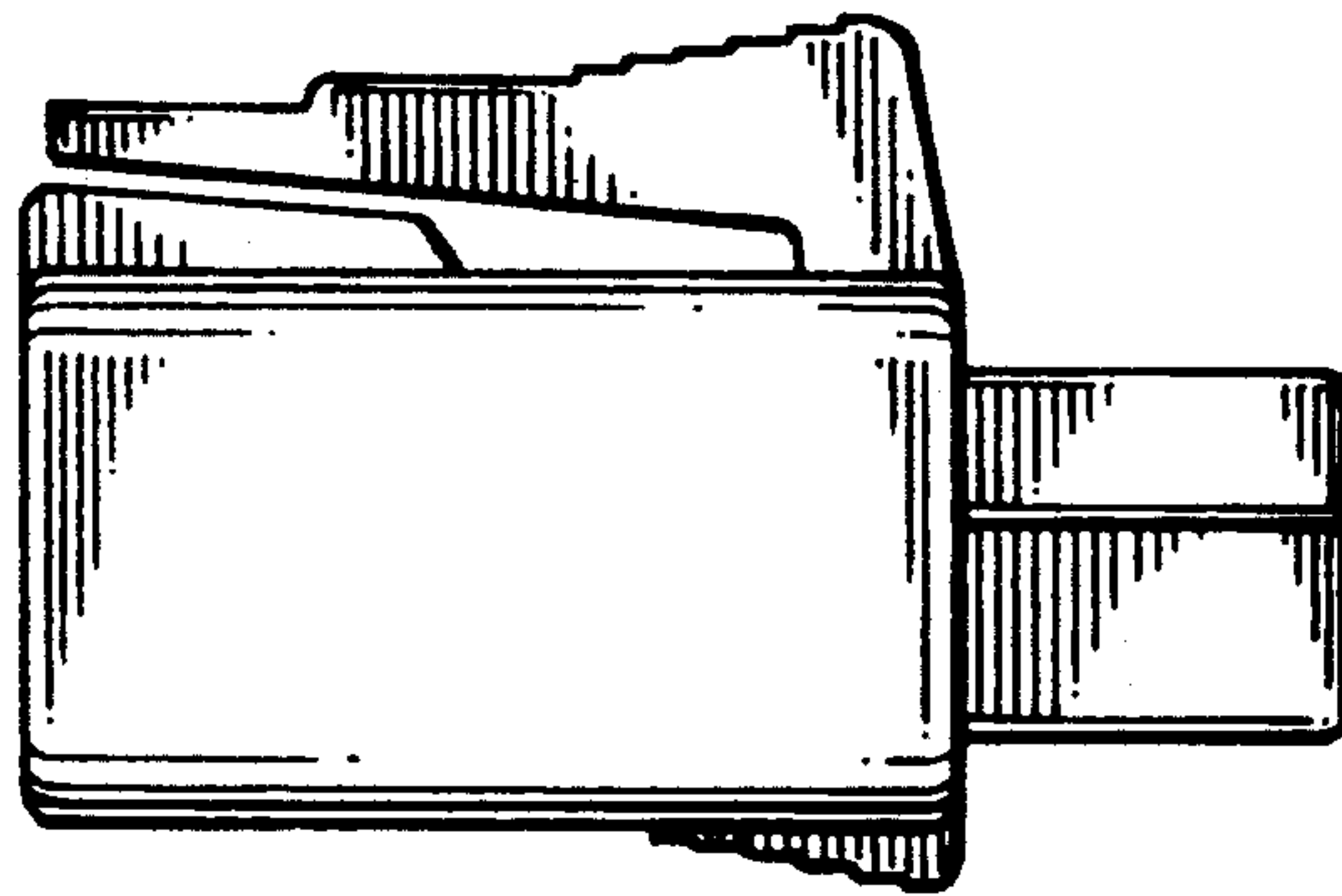


FIG. 5

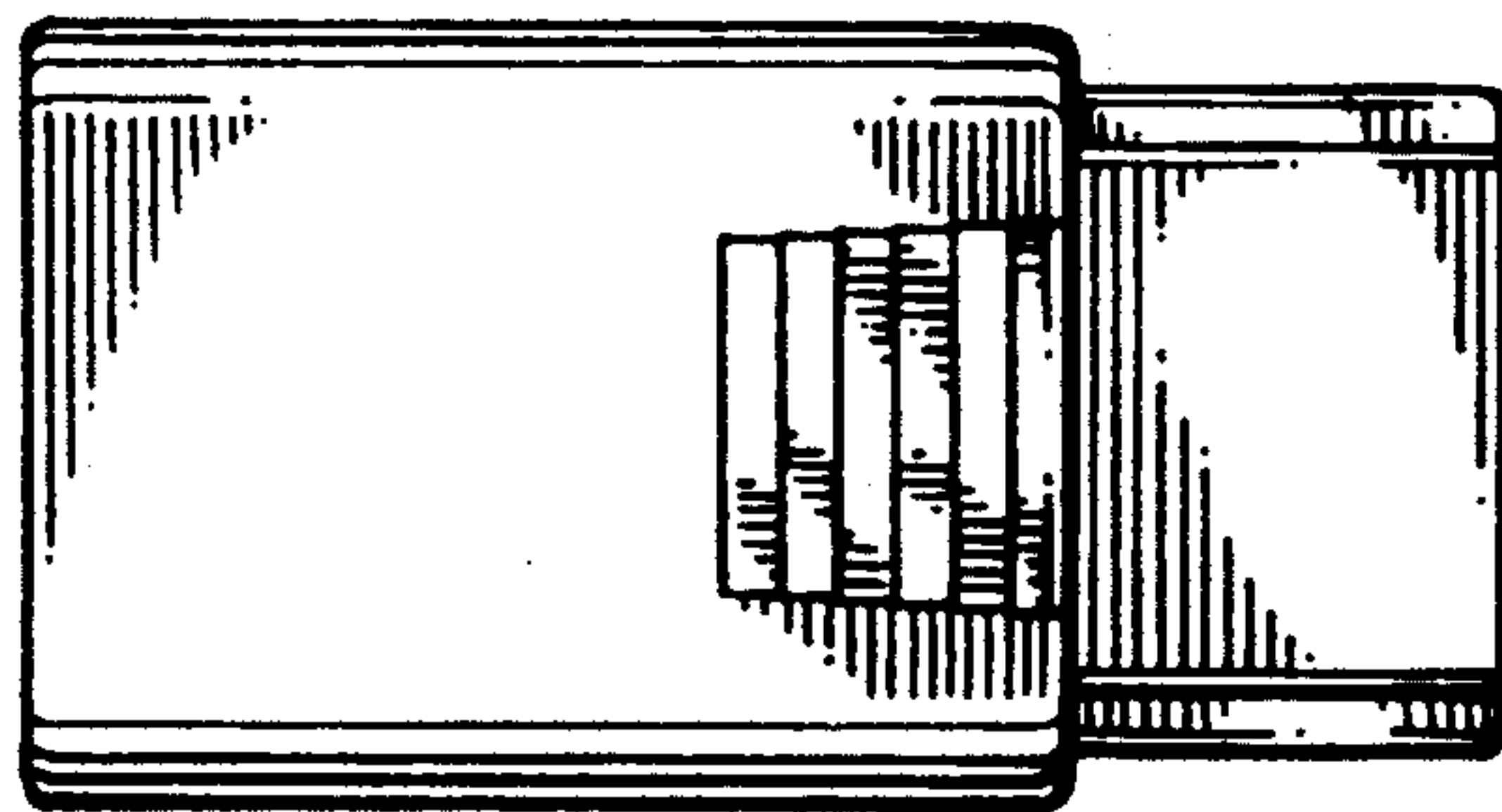


FIG. 6