



US00D331896S

United States Patent [19]

[11] Patent Number: **Des. 331,896**

Pickering

[45] Date of Patent: **** Dec. 22, 1992**

- [54] **INSERTABLE TRUCK BED LINER SEAT**
- [75] Inventor: **Stephen Pickering, Mishawaka, Ind.**
- [73] Assignee: **Valley Sales, Inc., Mishawaka, Ind.**
- [**] Term: **14 Years**
- [21] Appl. No.: **532,496**
- [22] Filed: **Jun. 4, 1990**
- [52] U.S. Cl. **D12/98; D6/356**
- [58] Field of Search **D6/356; D12/98; 296/10, 296/39.1, 39.2, 63, 64**

- 4,623,187 11/1986 Ibrahim .
- 4,679,840 7/1987 Fry et al. .
- 4,750,778 6/1988 Hoban .

Primary Examiner—Carmen H. Vales-Lado
Assistant Examiner—Monica A. Hannon
Attorney, Agent, or Firm—Barnes & Thornburg

[57] CLAIM

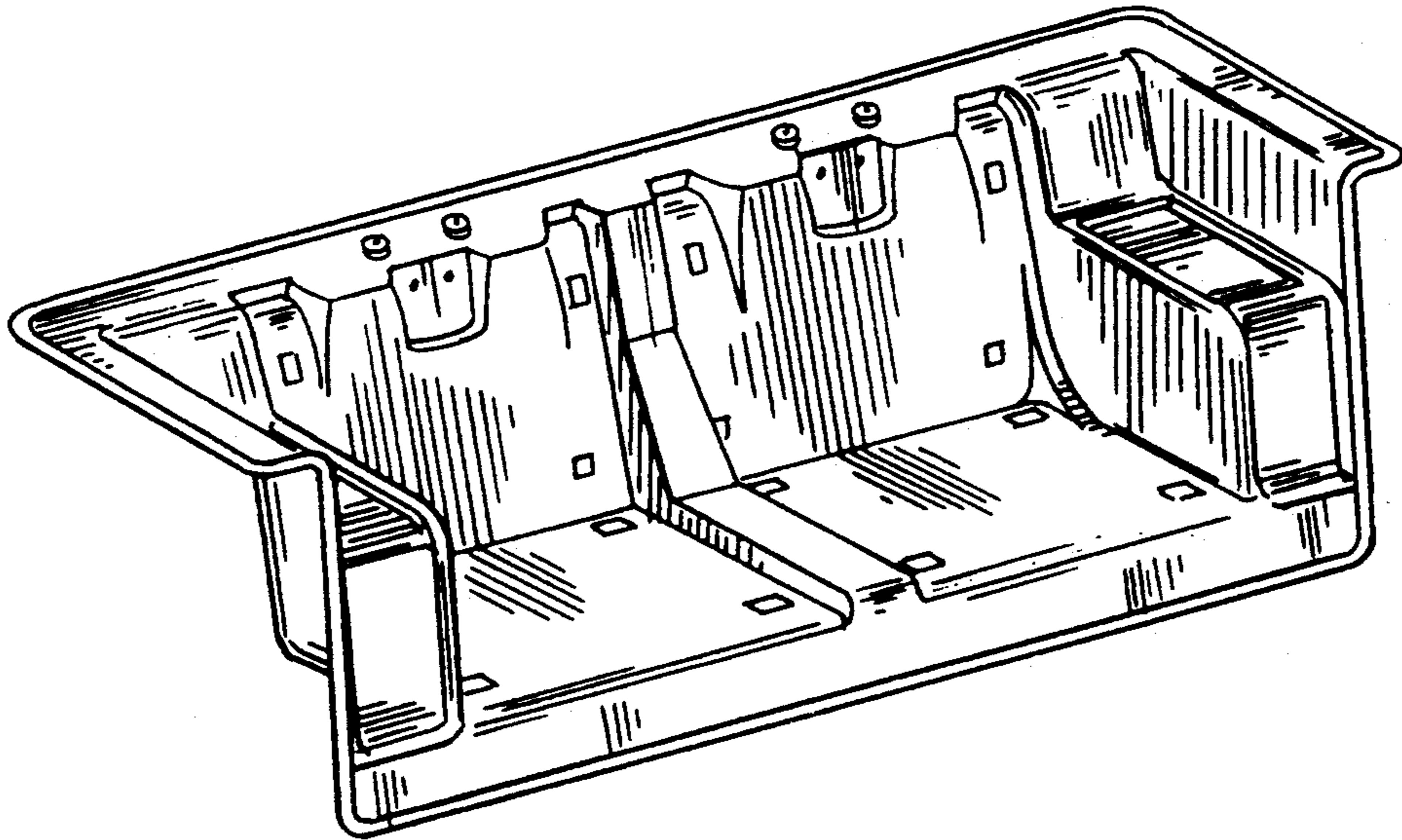
The ornamental design for an insertable truck bed liner seat, as shown and described.

DESCRIPTION

FIG. 1 is a front perspective view of an insertable truck bed liner seat showing my new design;
 FIG. 2 is a front elevational view thereof;
 FIG. 3 is a right side elevational view thereof;
 FIG. 4 is a left side elevational view thereof;
 FIG. 5 is a rear elevational view thereof;
 FIG. 6 is a top plan view thereof;
 FIG. 7 is a bottom plan view thereof; and,
 FIG. 8 is a front perspective view with the broken lines shown for environmental purposes only.
 FIGS. 2 through 7 have been drawn on a reduced scale with respect to FIG. 1.

[56] **References Cited**
U.S. PATENT DOCUMENTS

D. 224,219	7/1972	Ritter	296/39.2	X
D. 229,489	12/1973	Hopkins, Jr.	296/10	
D. 239,929	5/1976	Hawkins	D12/98	
D. 310,343	9/1990	Angerer	D12/98	
2,911,253	11/1959	Dewey	296/39.1	
3,172,695	3/1965	Bordinat, Jr.	296/63	
3,840,263	10/1974	Bowden	.		
3,944,283	3/1976	Molzon	296/63	X
4,118,061	10/1978	Atkinson et al.	296/63	
4,410,045	10/1983	Whitman	.		



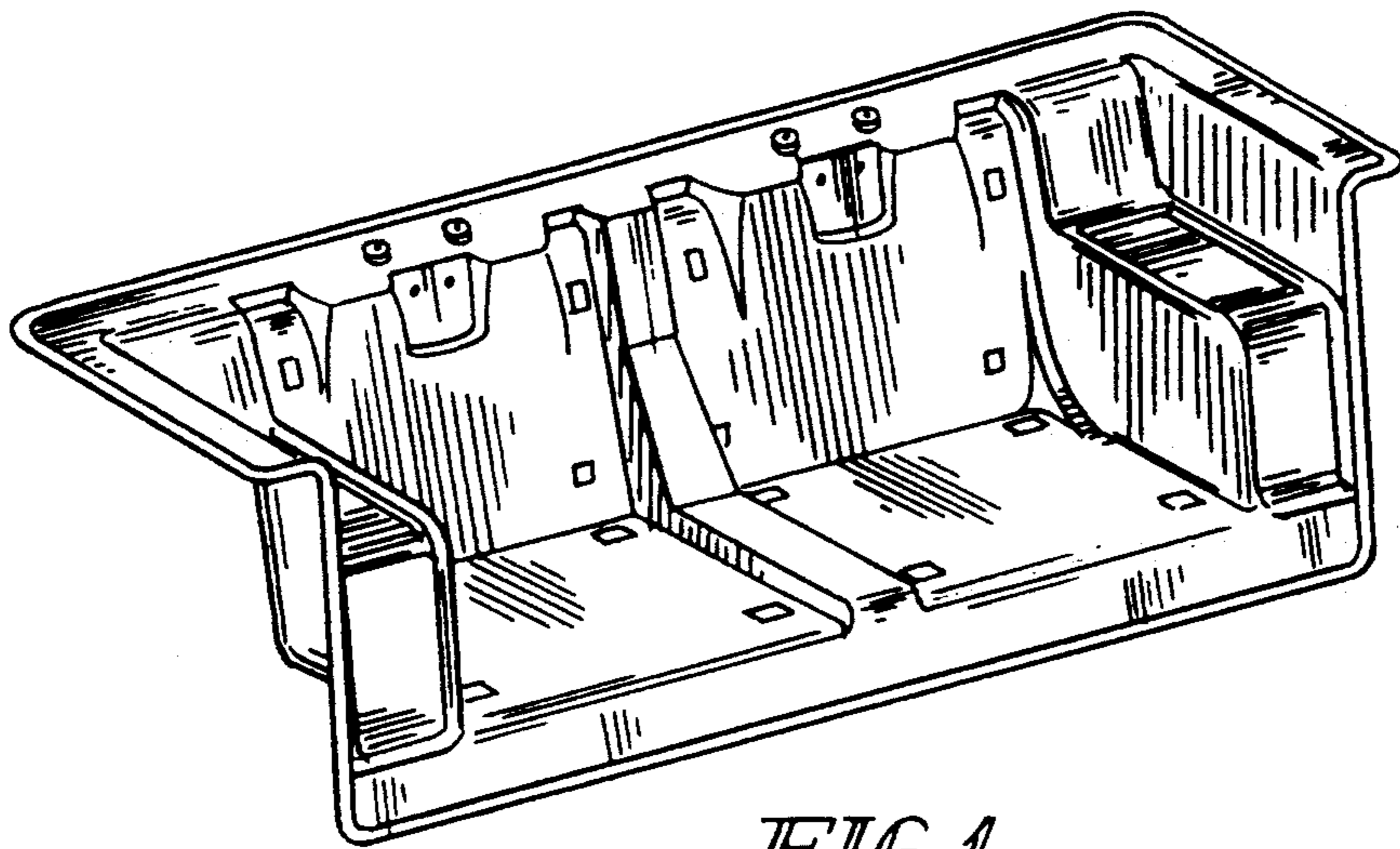


FIG. 1

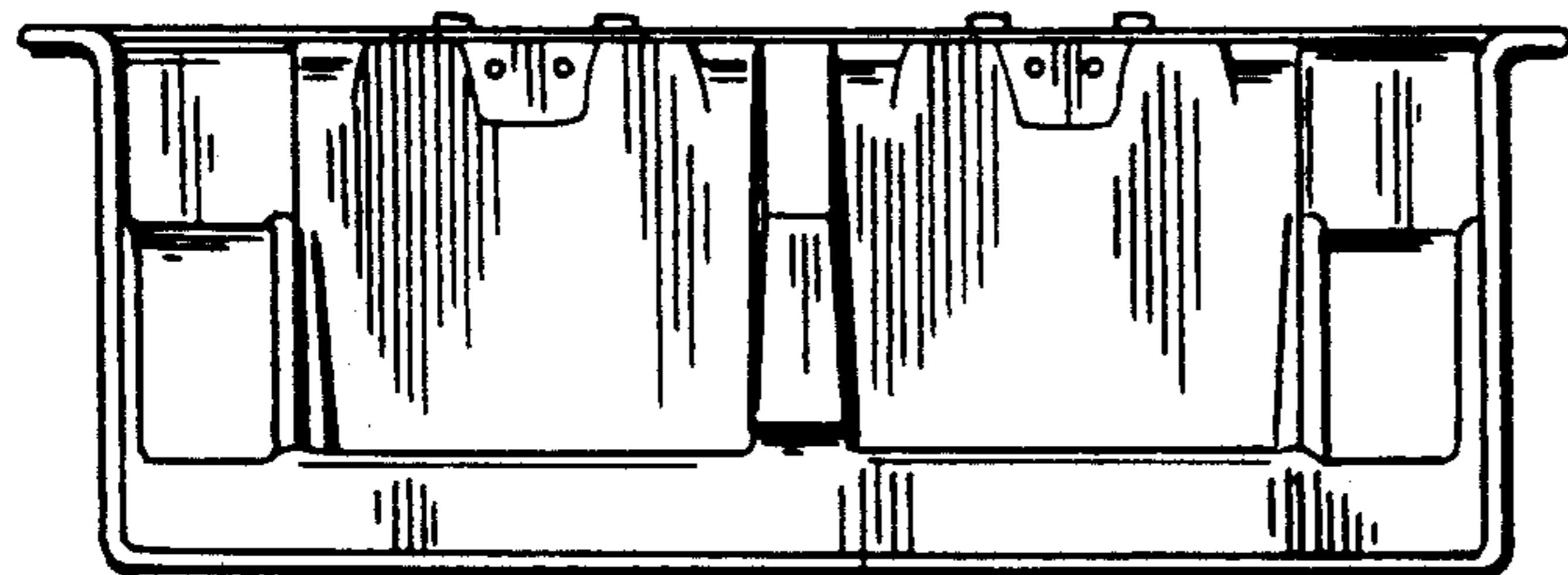


FIG. 2

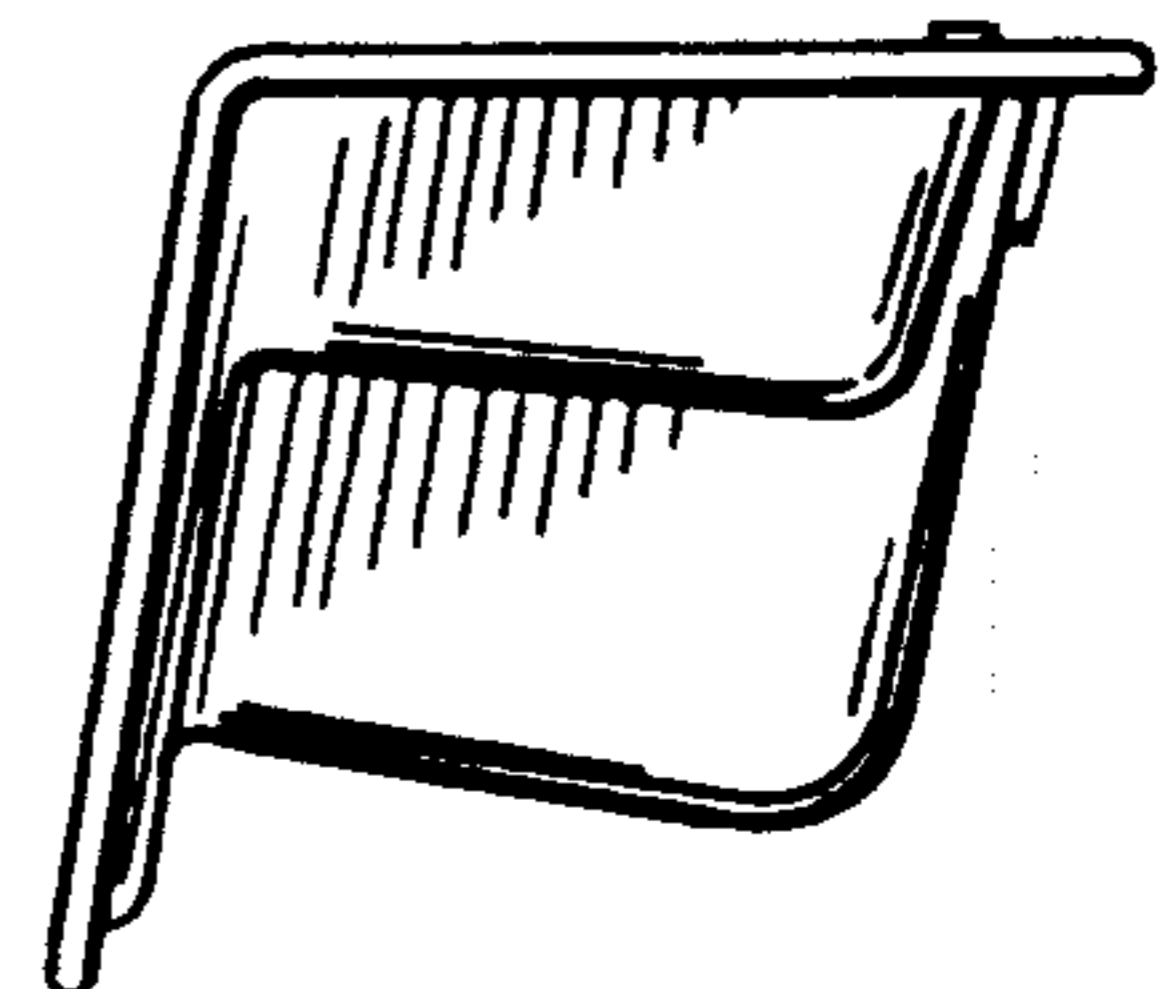


FIG. 3

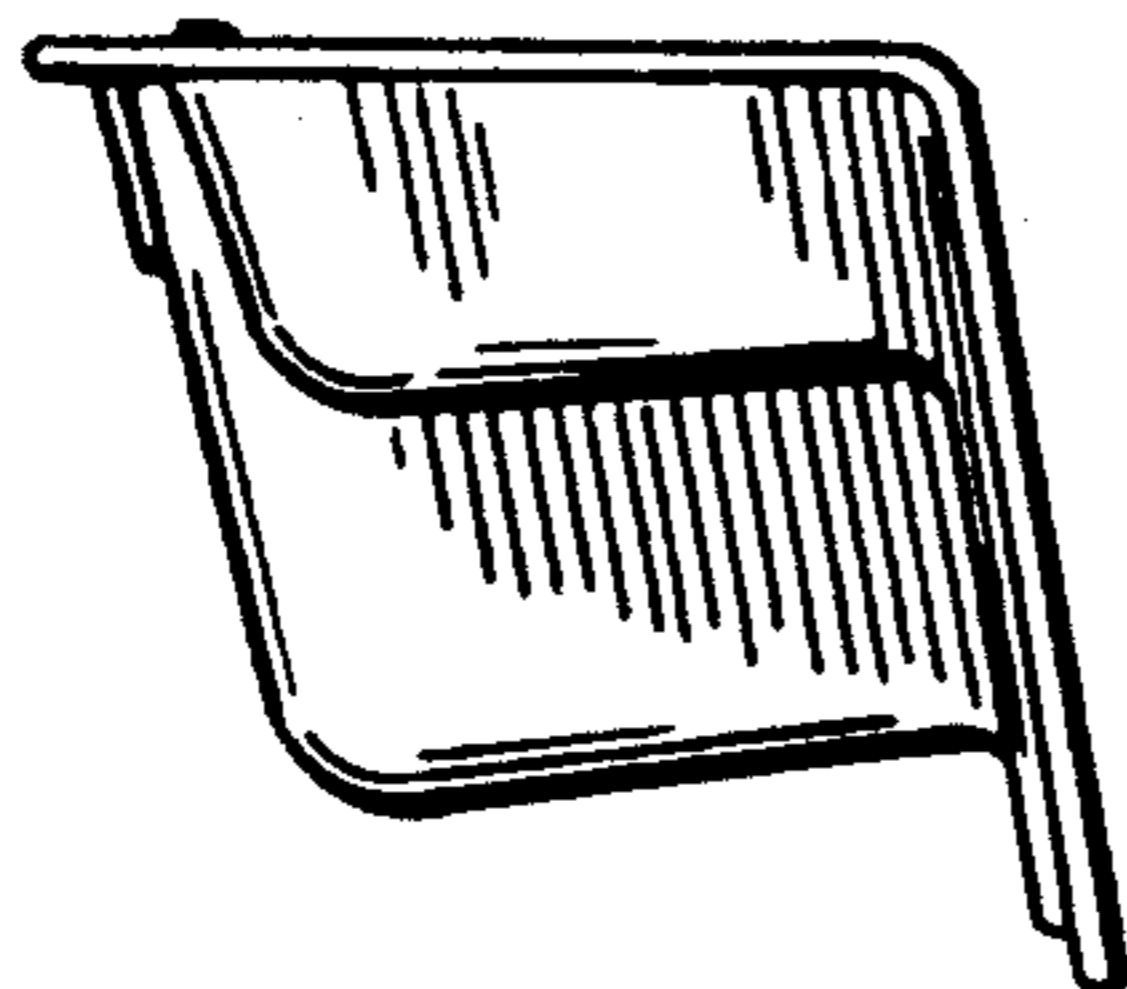


FIG. 4

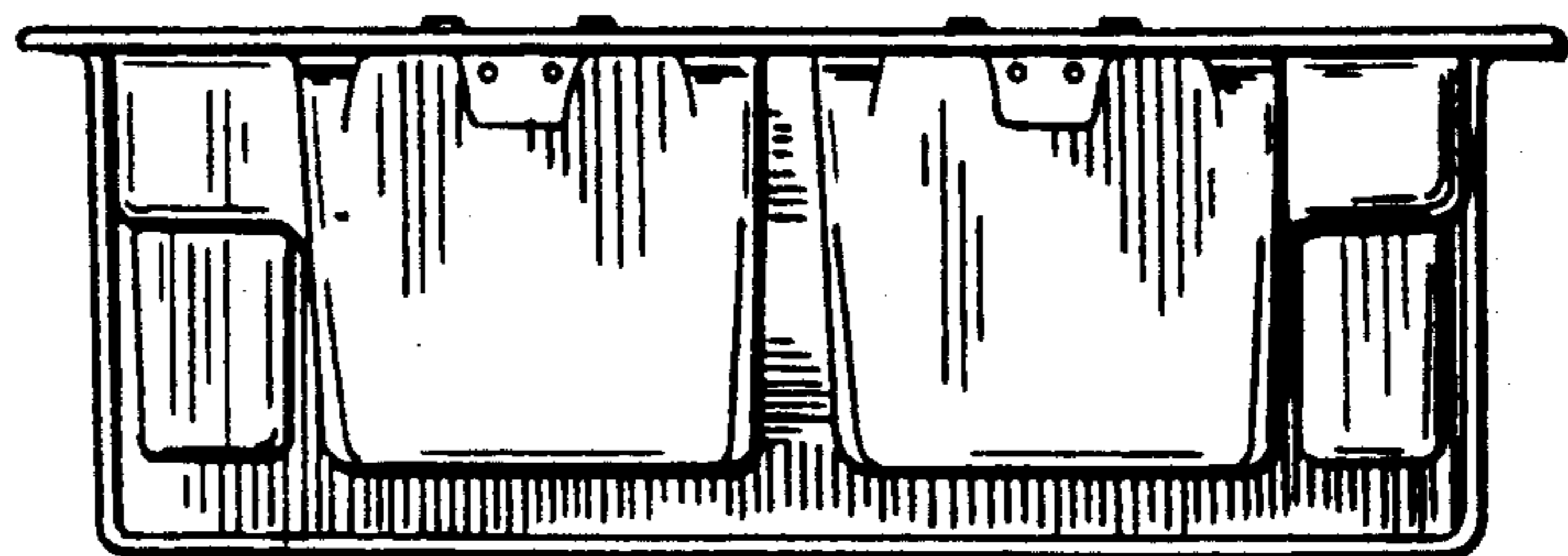


FIG. 5

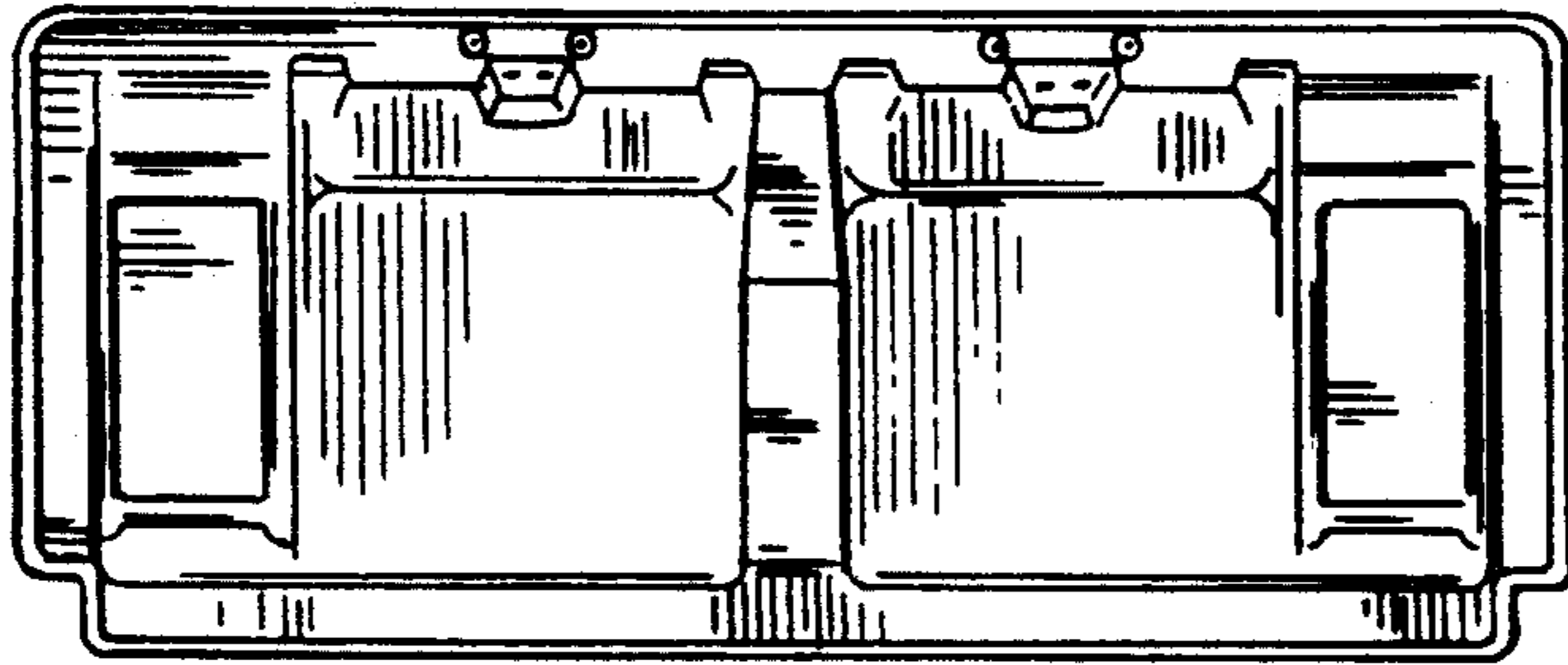


FIG 6

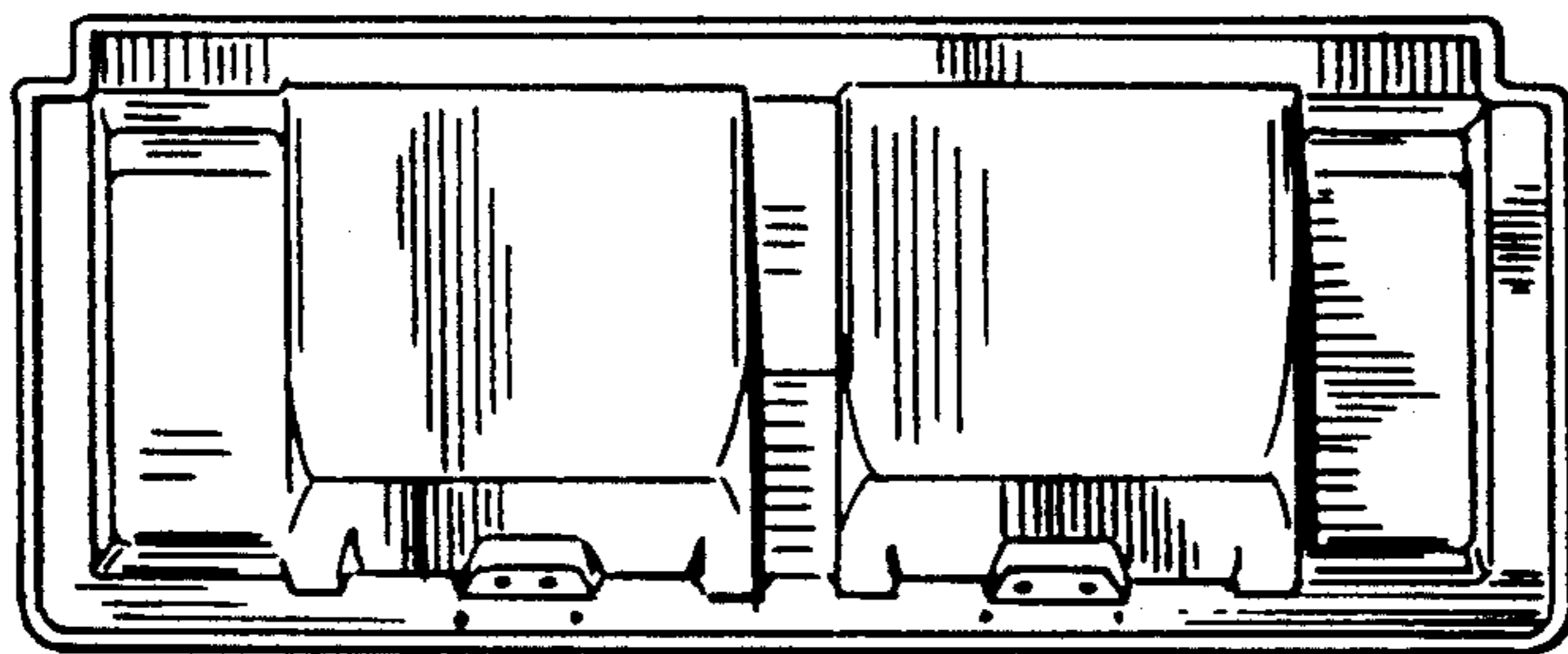


FIG 7

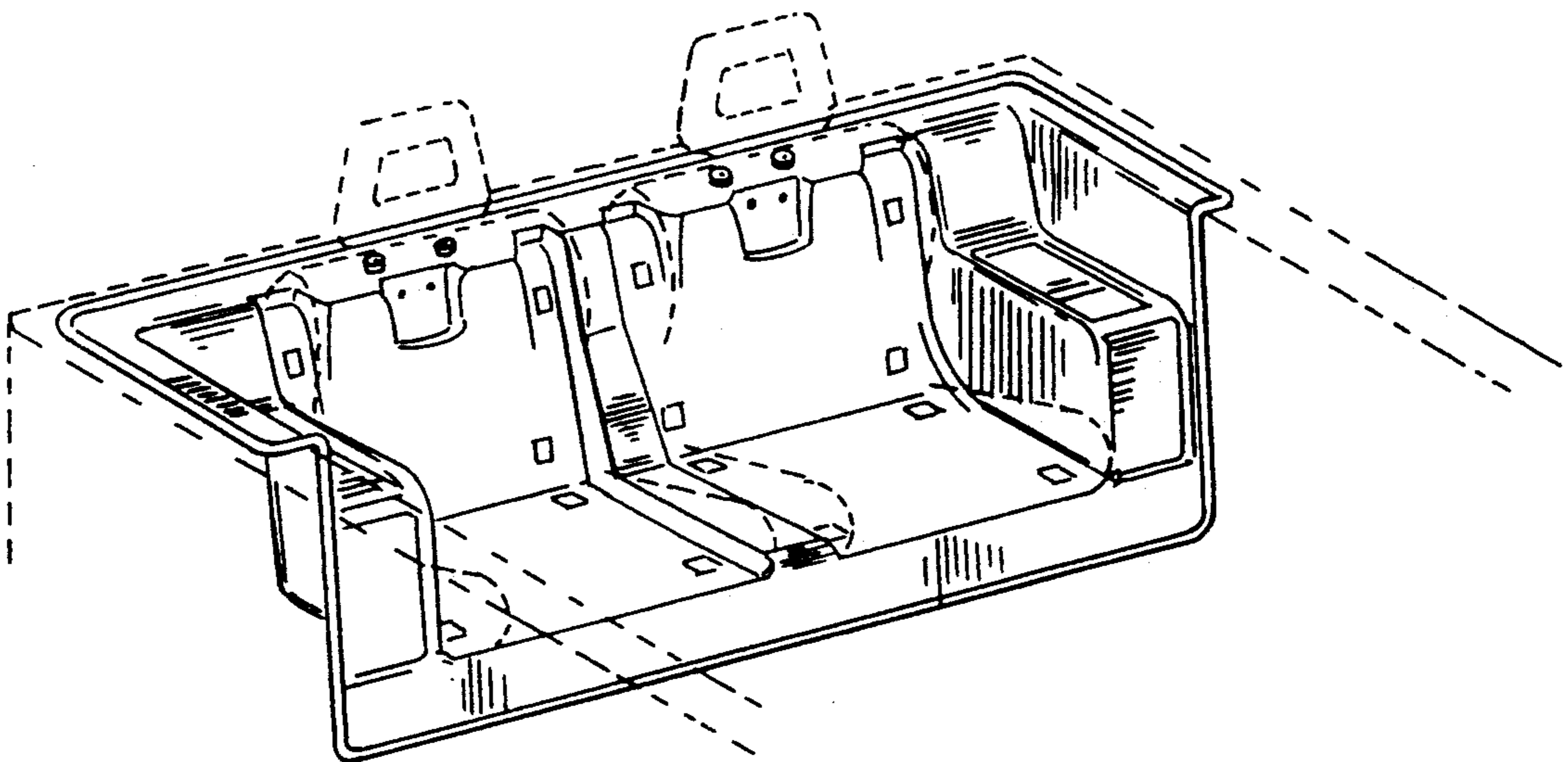


FIG 8