



US00D331890S

# United States Patent [19]

[11] Patent Number: **Des. 331,890**

**Robinson**

[45] Date of Patent: **\*\* Dec. 22, 1992**

[54] **SIGNALLING LIGHT TO WARN TRAILING DRIVERS OF HIGH BEAM USAGE**

2,869,033 1/1959 Cherefko .  
3,208,174 9/1965 Wrenshall ..... 362/812  
3,678,457 7/1972 Lev .

[76] Inventor: **Delores O. Robinson, 301 SW. 3rd St. #A, Belle Glade, Fla. 33430**

*Primary Examiner*—Wallace R. Burke  
*Assistant Examiner*—Marcus Jackson  
*Attorney, Agent, or Firm*—Terry M. Gernstein

[\*\*] Term: **14 Years**

[21] Appl. No.: **677,674**

[57] **CLAIM**

[22] Filed: **Apr. 1, 1991**

The ornamental design for a signalling light to warn trailing drivers of high beam usage, as shown and described.

[52] U.S. Cl. .... **D10/114; D26/31**

[58] Field of Search ..... **D10/104, 106, 114, 115; 340/457, 457.2, 457.4, 459, 461, 468; D26/28, 31; 362/811, 812, 78**

**DESCRIPTION**

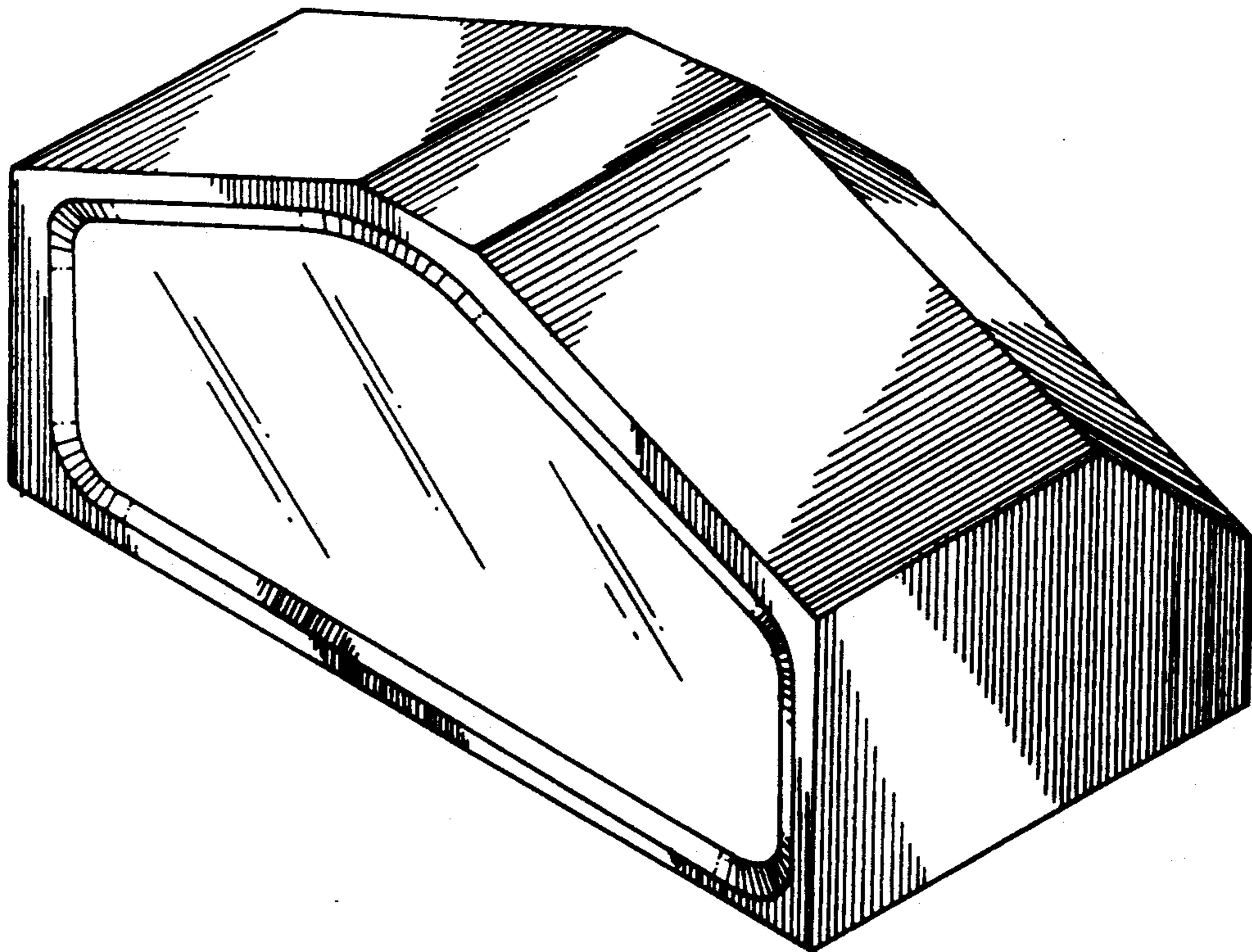
[56] **References Cited**

FIG. 1 is a perspective view of a signalling light to warn trailing drivers of high beam usage showing my new design;

**U.S. PATENT DOCUMENTS**

D. 254,298	2/1980	Sexton et al. ....	D10/114
D. 312,979	12/1990	Oesterheld et al. ....	D10/114
D. 313,661	1/1991	Kang .....	D10/114
2,177,641	10/1939	Evans .....	362/812
2,456,685	12/1948	Delmotte .....	362/812
2,514,049	7/1950	Graham .....	362/812
2,854,650	9/1958	Baker .	

FIG. 2 is a front elevational view thereof;  
FIG. 3 is a rear elevational view thereof;  
FIG. 4 is a right side elevational view thereof, with the opposite side being a mirror image, and with the cord broken away to indicate indeterminate length;  
FIG. 5 is a top plan view thereof; and,  
FIG. 6 is a bottom plan view thereof.



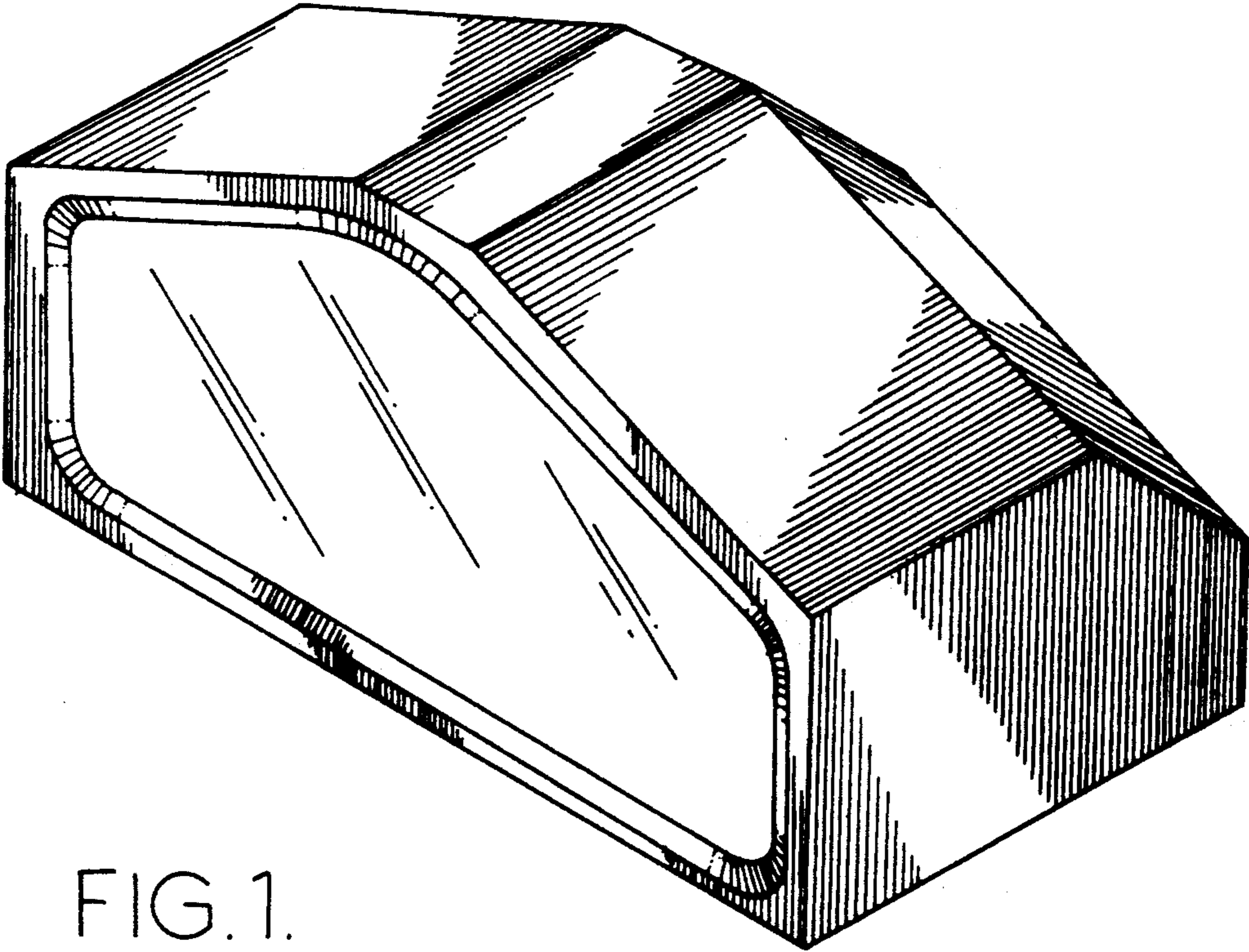


FIG.1.

FIG. 2

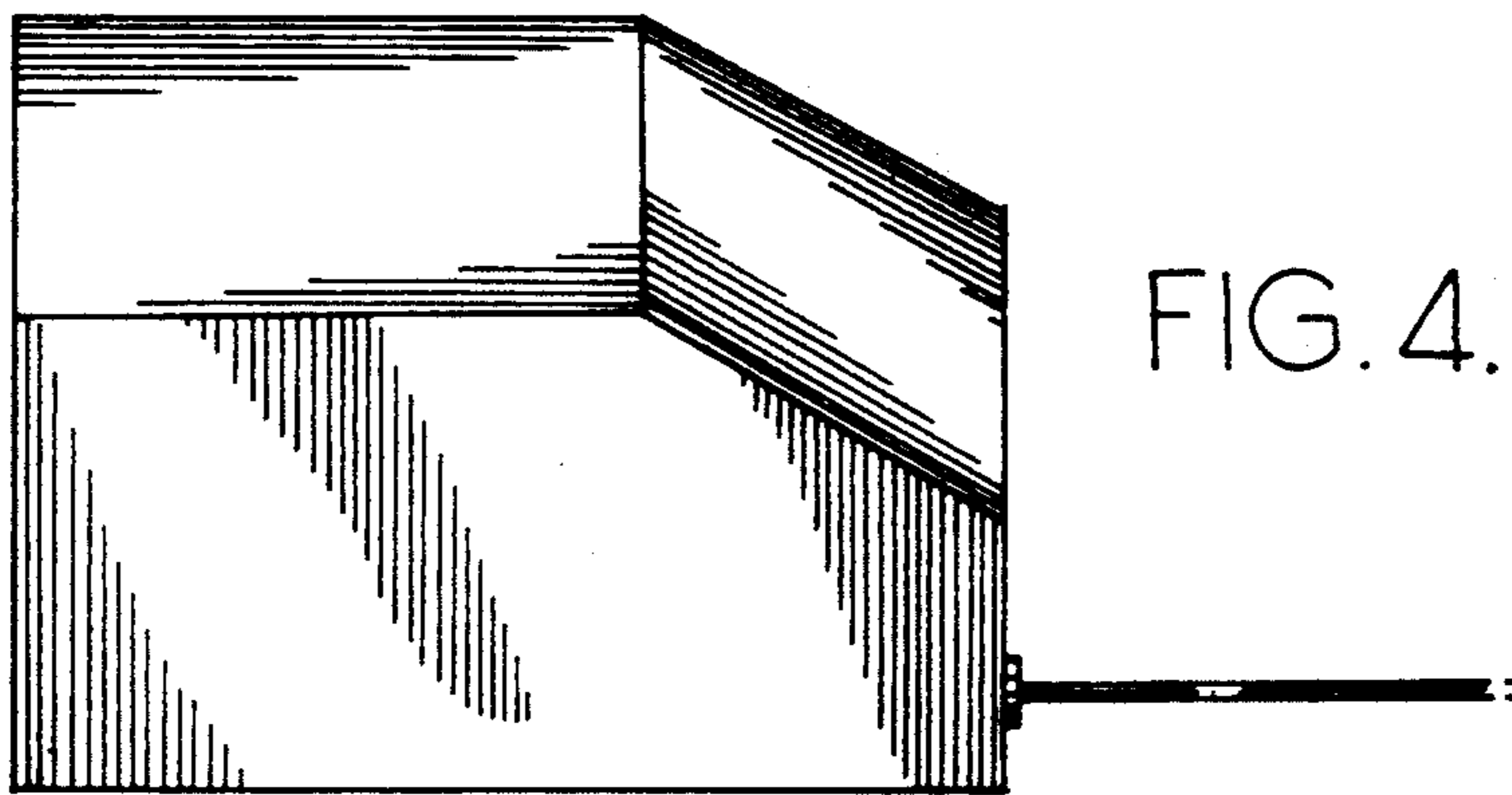
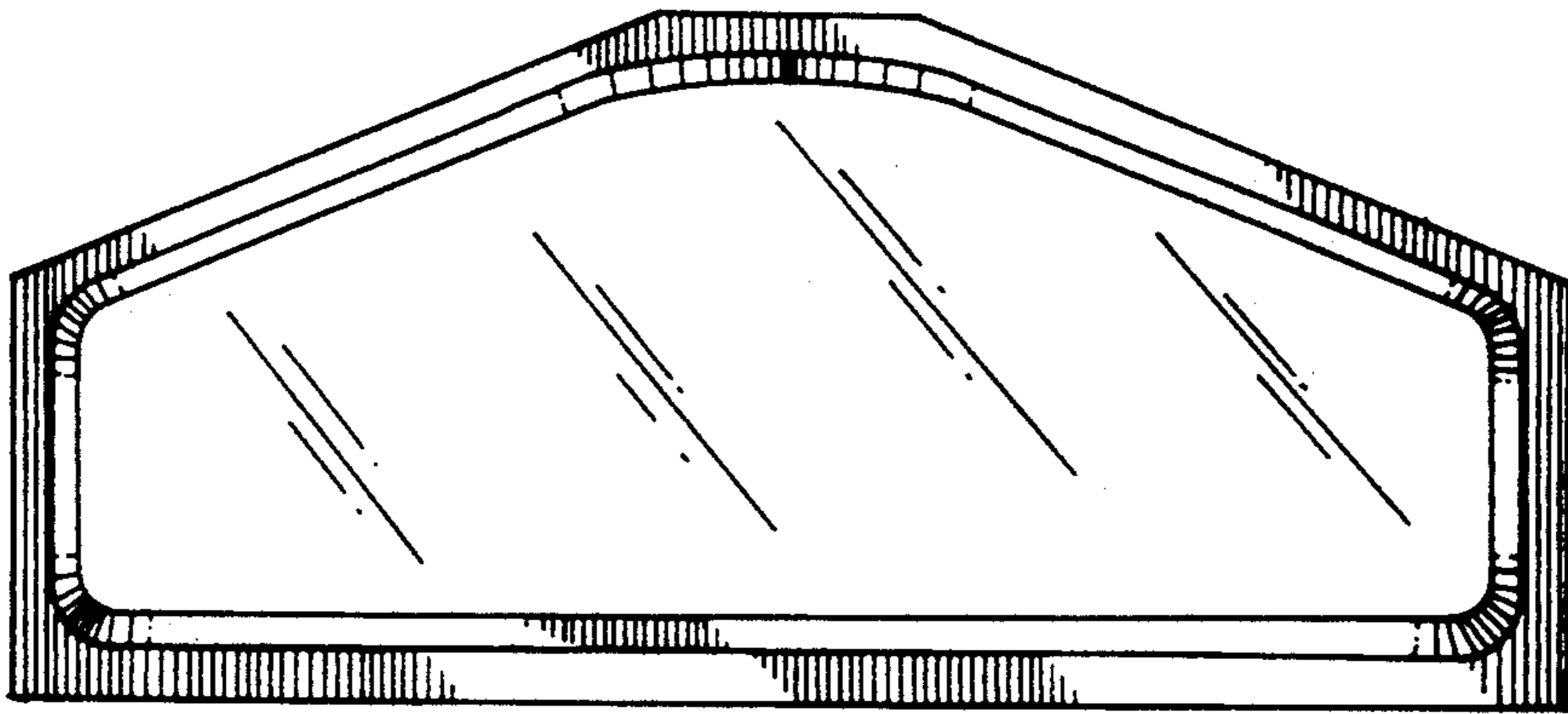


FIG. 4.

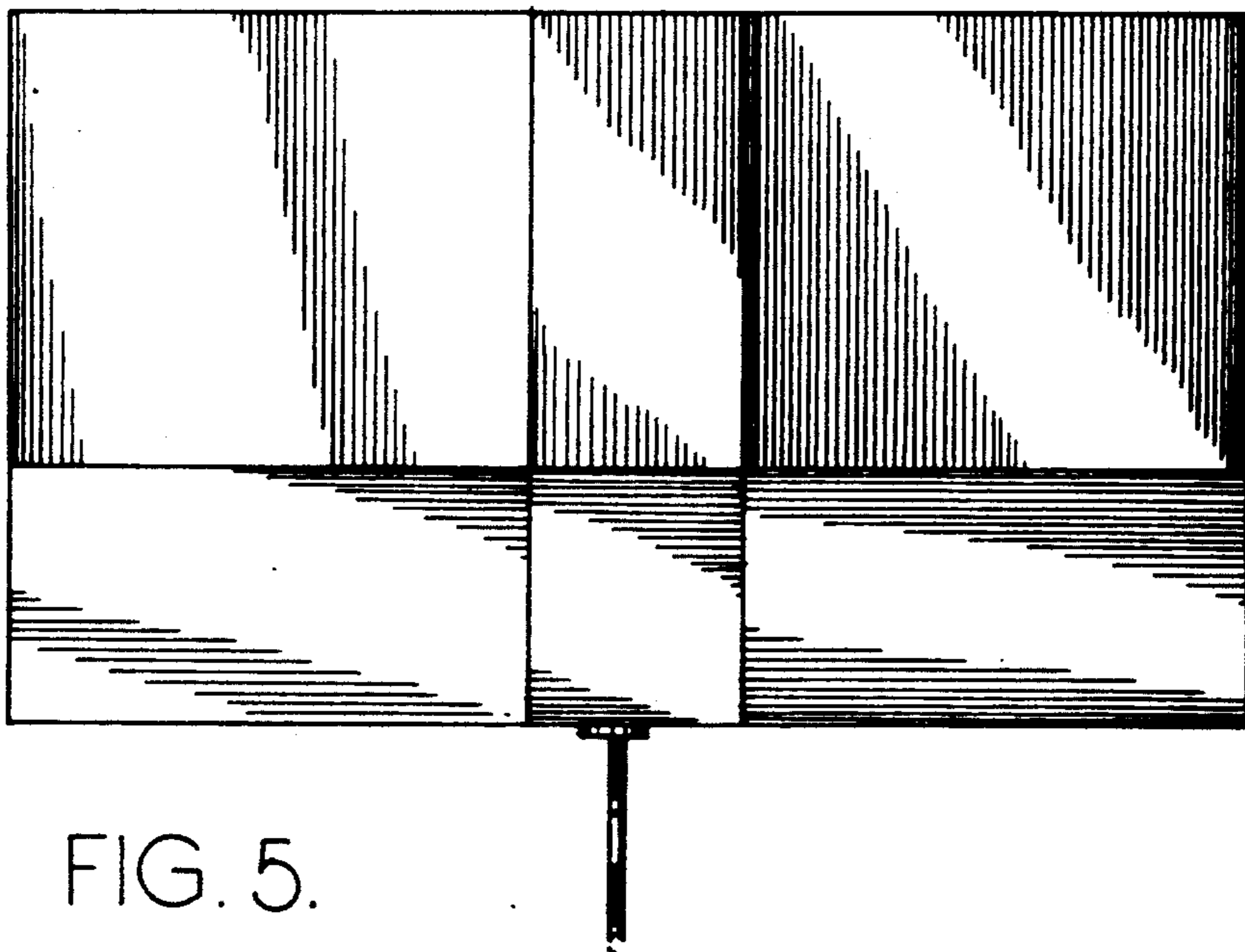


FIG. 5.

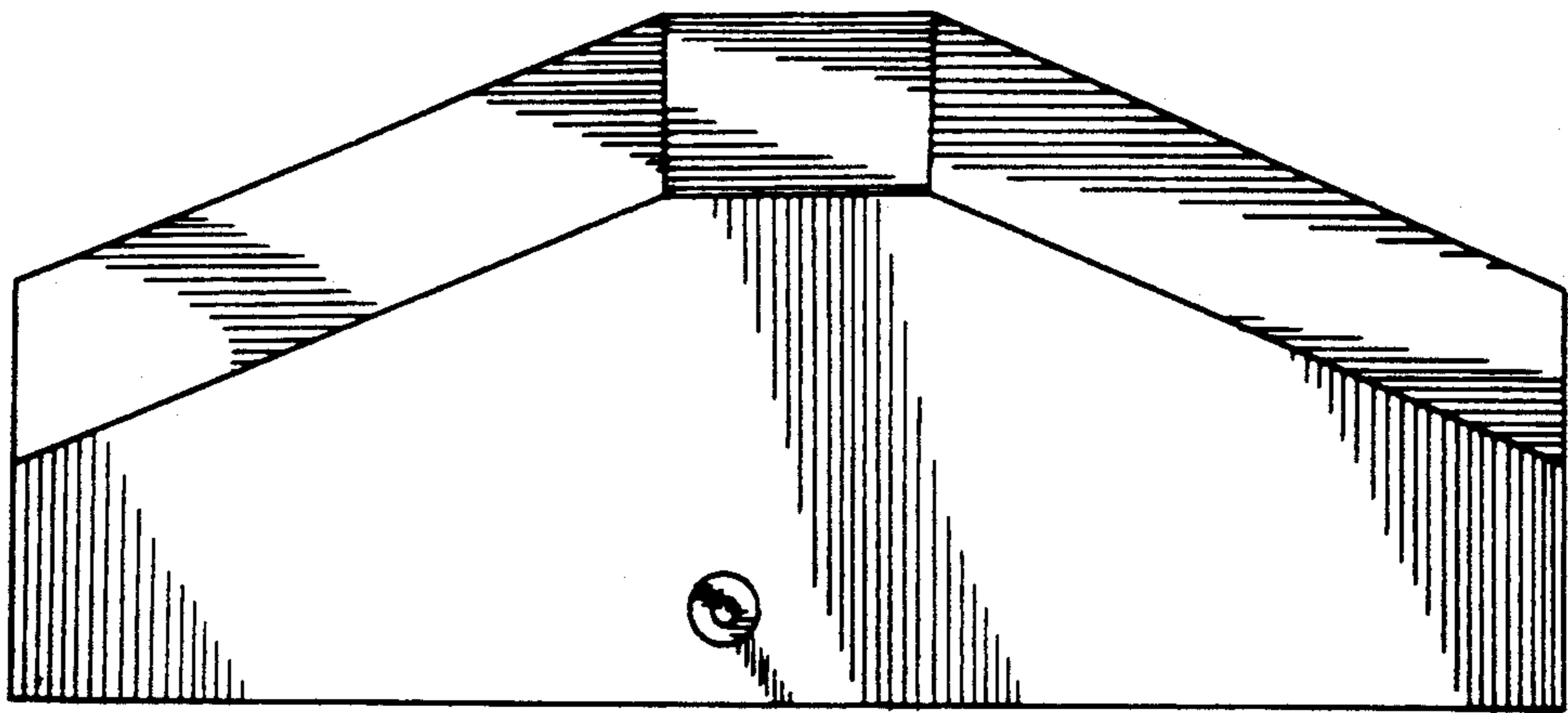


FIG. 3.

FIG. 6.

