



US00D331878S

United States Patent [19]
Forsyth

[11] **Patent Number: Des. 331,878**
[45] **Date of Patent: ** Dec. 22, 1992**

- [54] **DISPENSING CAP**
- [75] Inventor: **Michael J. Forsyth, Stow, Ohio**
- [73] Assignee: **Weatherchem Corporation, Twinsburg, Ohio**
- [**] Term: **14 Years**
- [21] Appl. No.: **676,230**
- [22] Filed: **Mar. 27, 1991**
- [52] U.S. Cl. **D9/449; D9/453**
- [58] Field of Search **D9/435, 449, 453; 220/254, 339; 222/480, 531, 535, 544**

- [56] **References Cited**
- U.S. PATENT DOCUMENTS**
- D. 274,132 6/1984 Nightingale, III D9/453
- D. 278,602 4/1985 Rosenstein D9/449
- D. 305,206 12/1989 Hickman et al. D9/449
- 4,693,399 9/1987 Hickman et al. 222/480
- 4,936,494 6/1990 Weidman 222/480

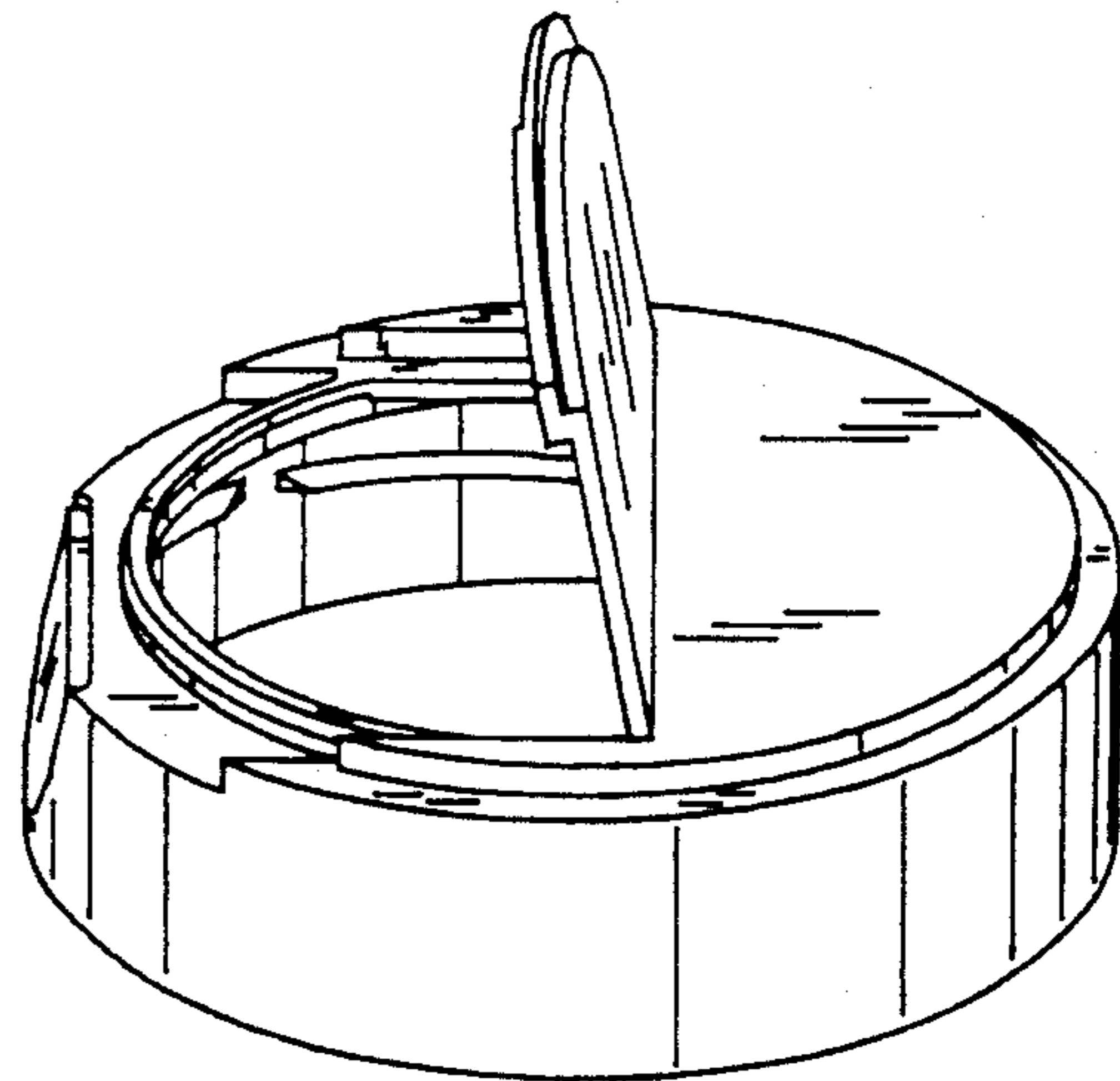
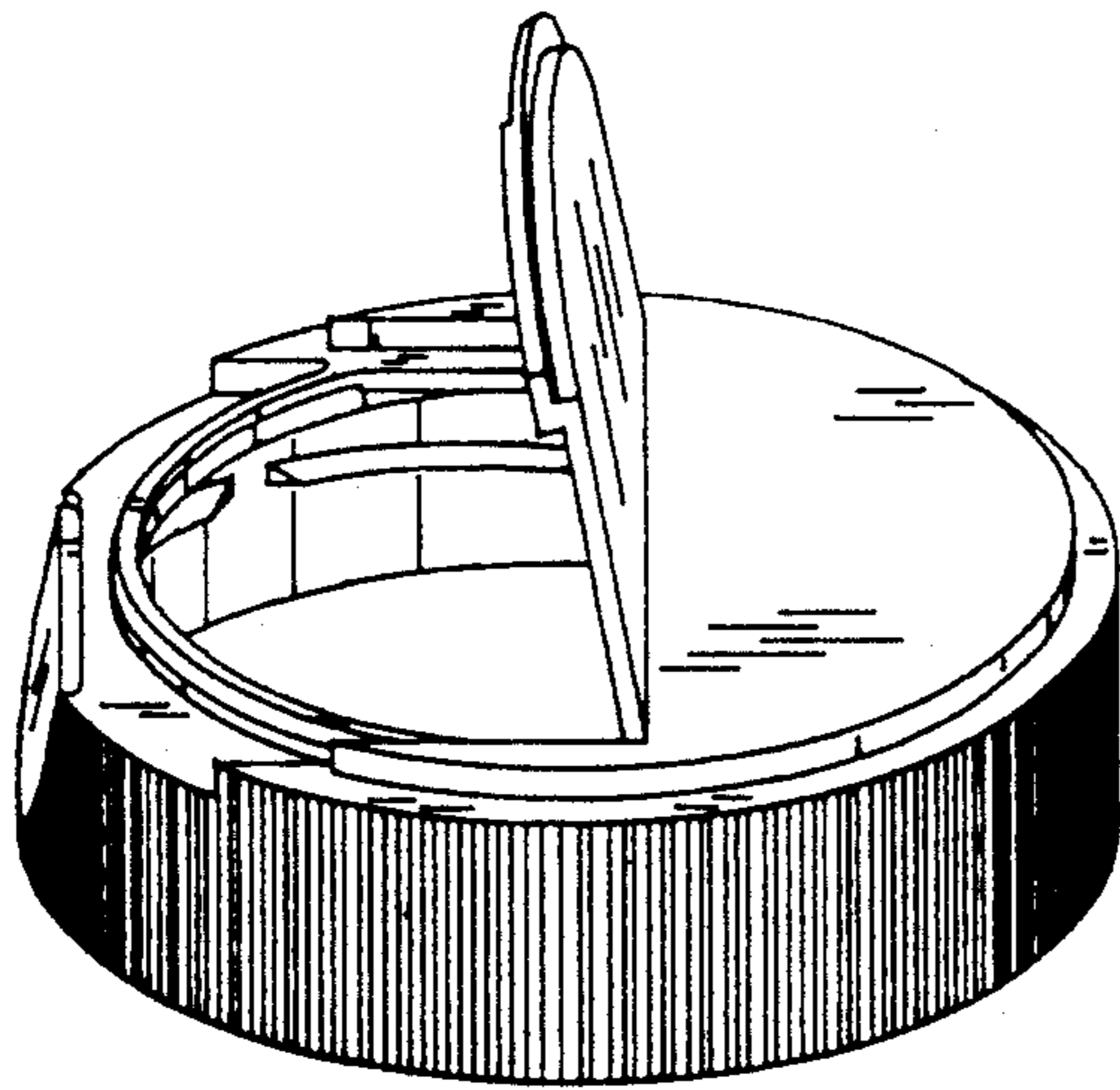
Primary Examiner—Bernard Ansher
Assistant Examiner—Dominic Simone
Attorney, Agent, or Firm—Pearne, Gordon, McCoy & Granger

[57] **CLAIM**

The ornamental design for a dispensing cap, as shown and described.

DESCRIPTION

FIG. 1 is a perspective view of a dispensing cap, showing my new design;
FIG. 2 is a top plan view thereof;
FIG. 3 is a right side elevational view thereof;
FIG. 4 is a left side elevational view thereof;
FIG. 5 is a front elevational view thereof;
FIG. 6 is a bottom plan view thereof;
FIG. 7 is a bottom perspective view thereof;
FIG. 8 is a front elevational view thereof in a closed position, the container shown in broken lines for illustrative purposes only; and,
FIG. 9 is a perspective view of a second embodiment of FIG. 1, the difference residing in the smooth side walls.



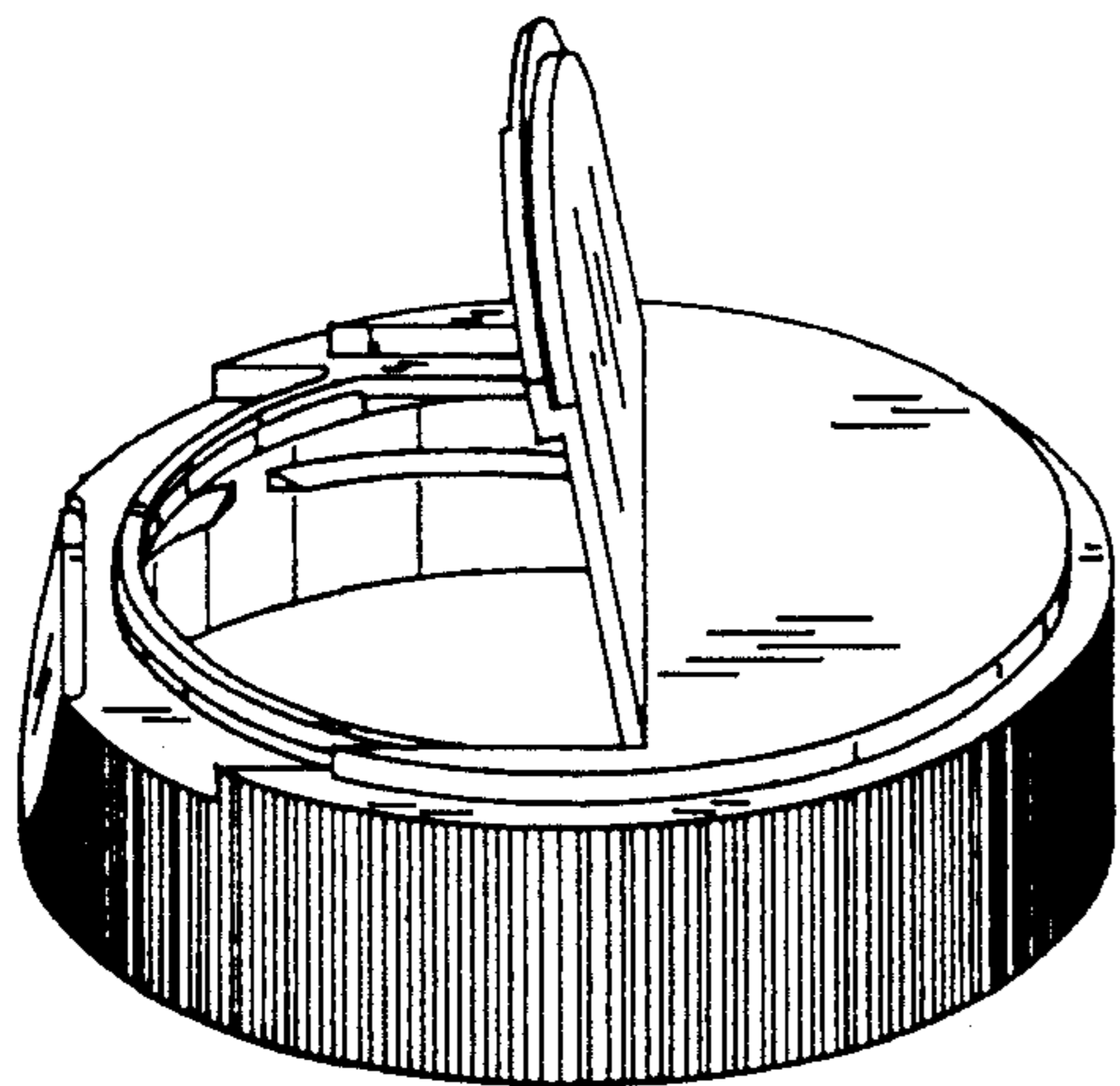


Fig. 1

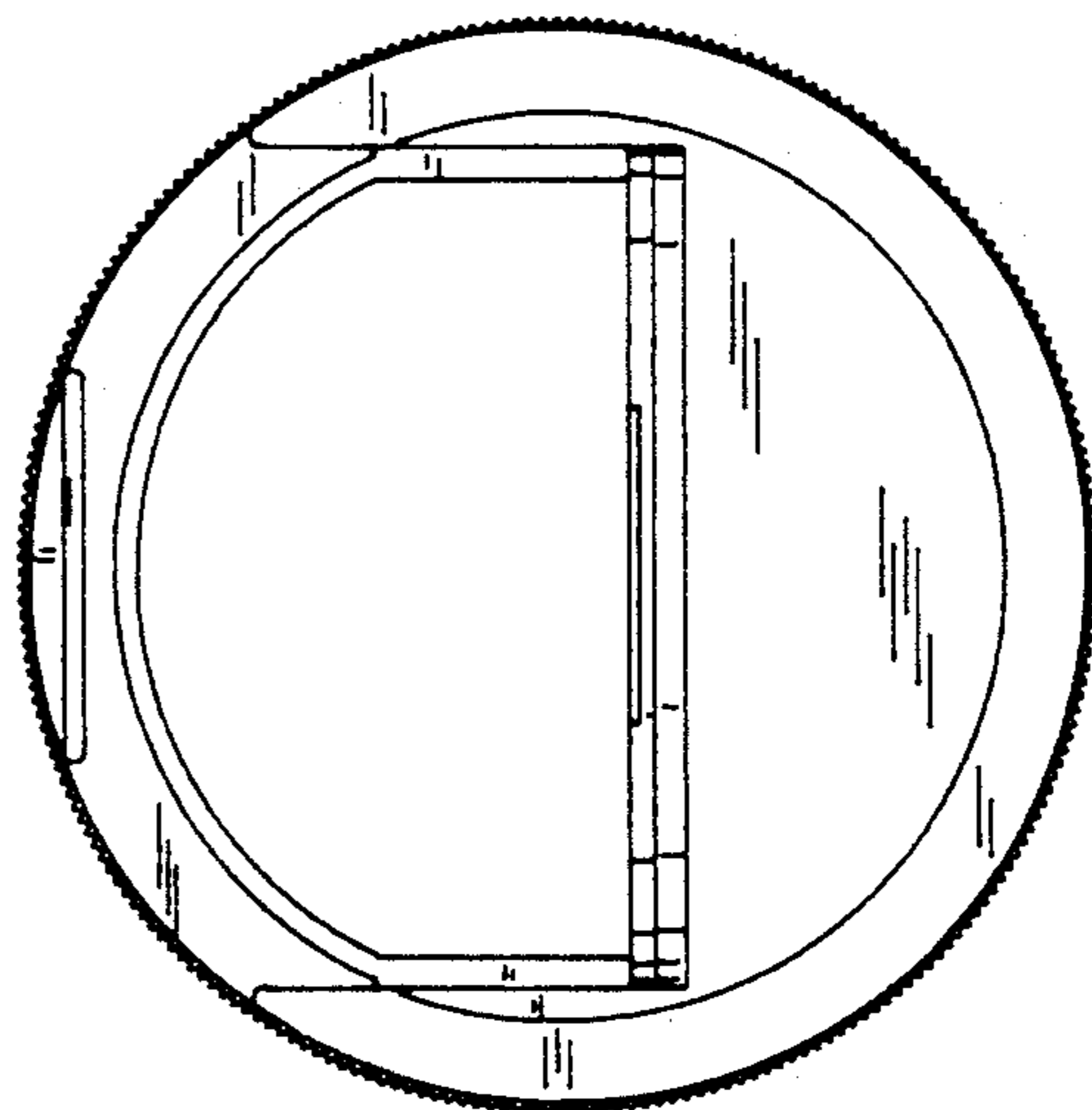


Fig. 2

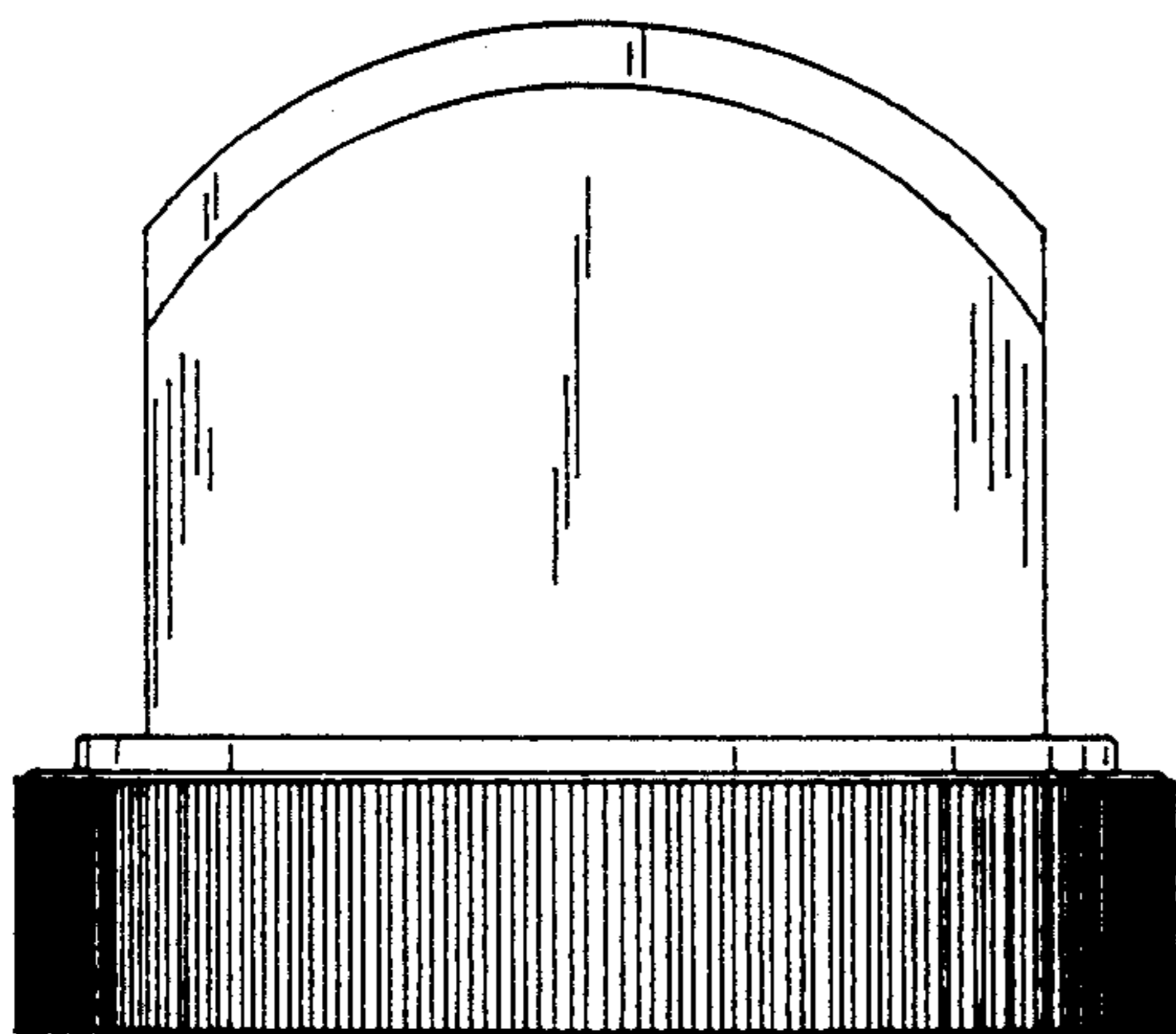


Fig. 3

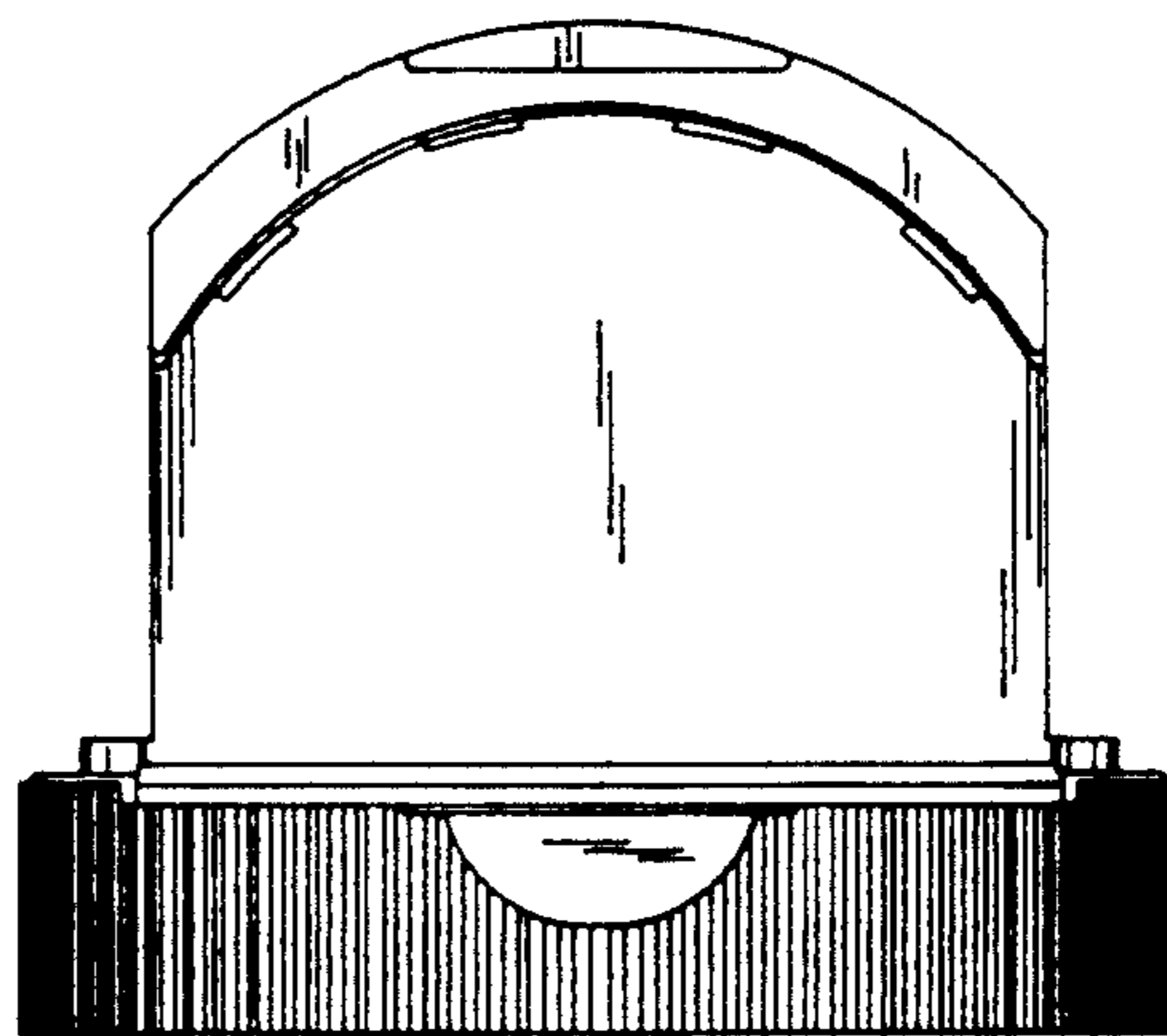


Fig. 4

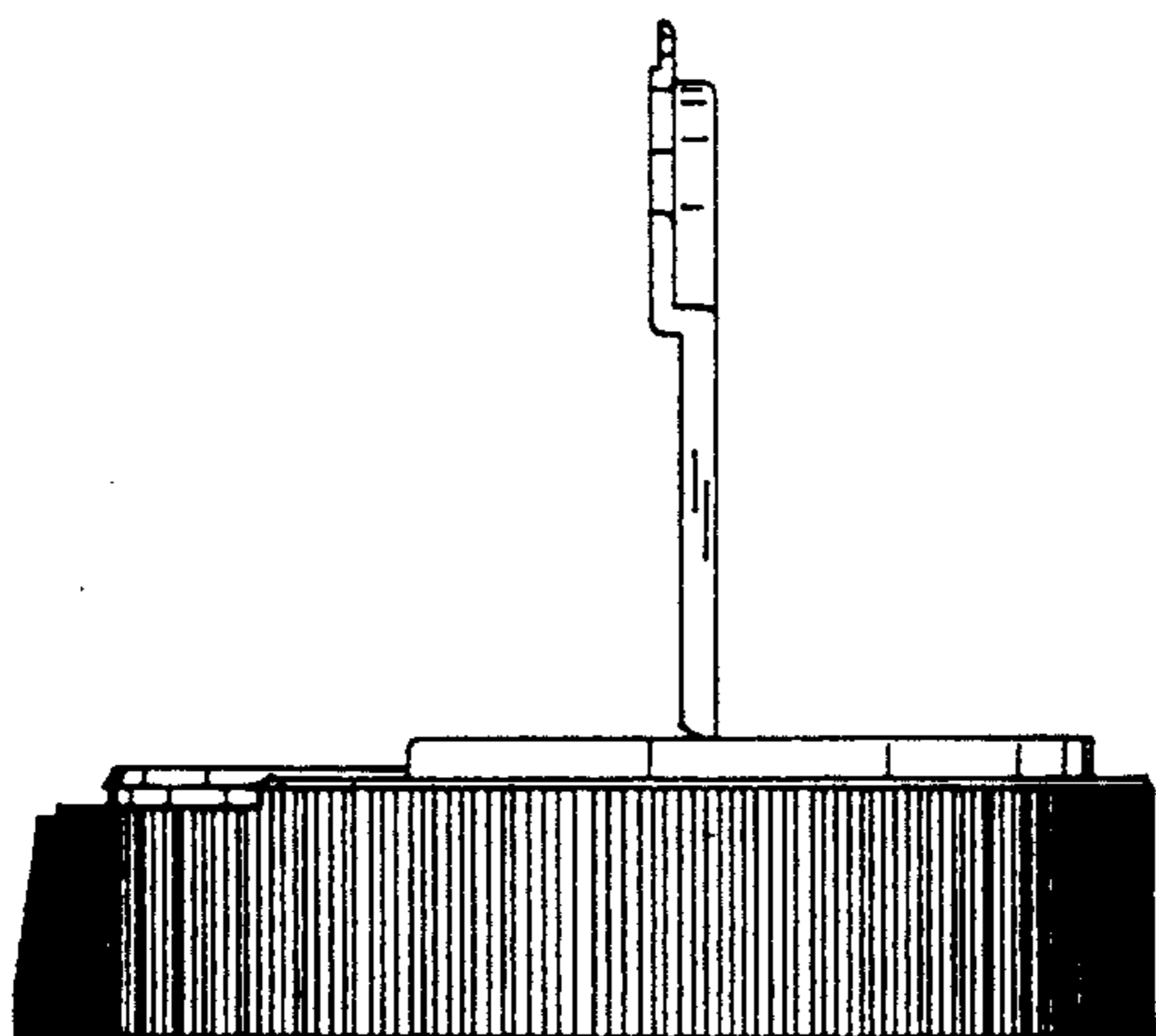


Fig. 5

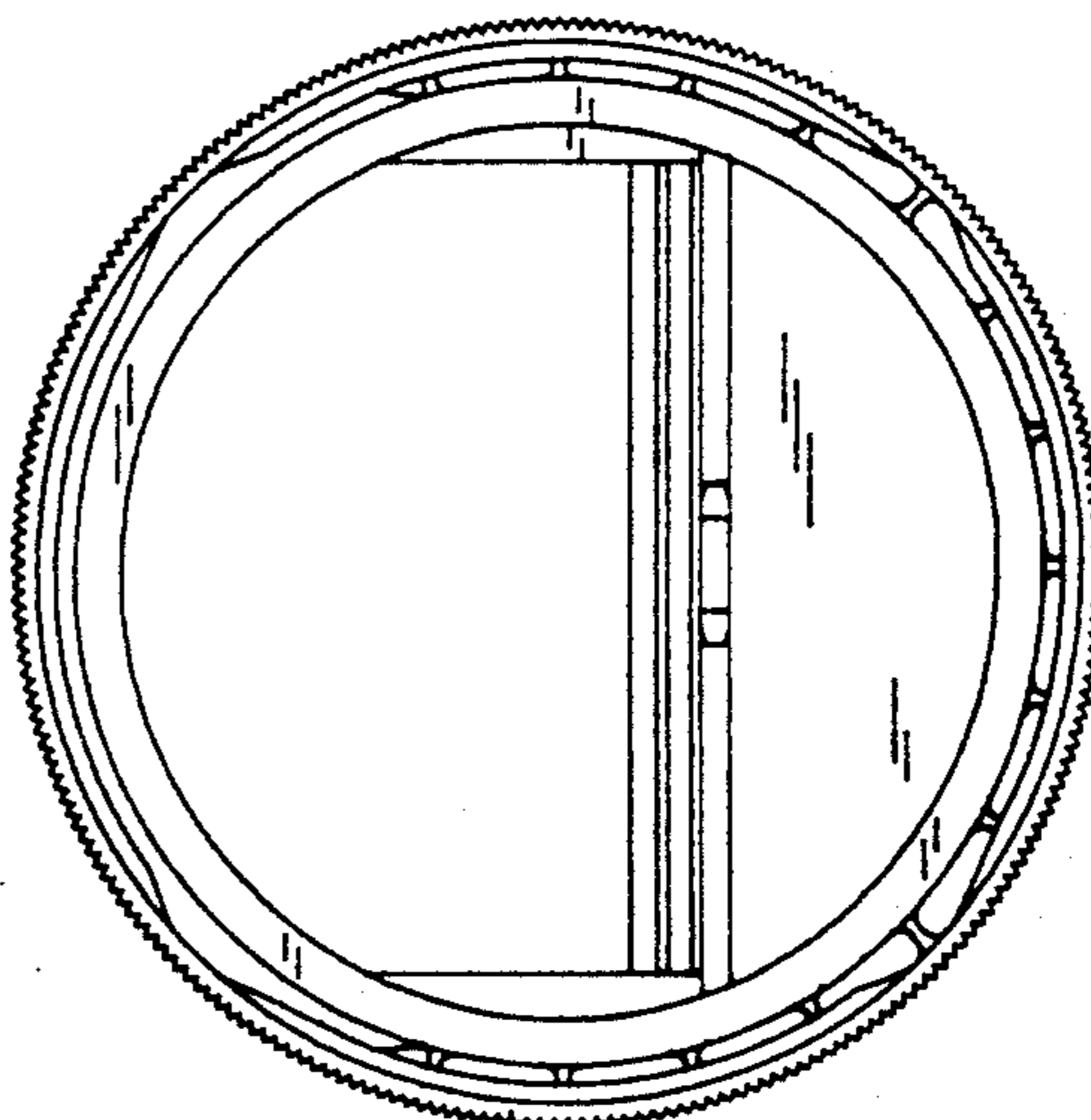


Fig. 6

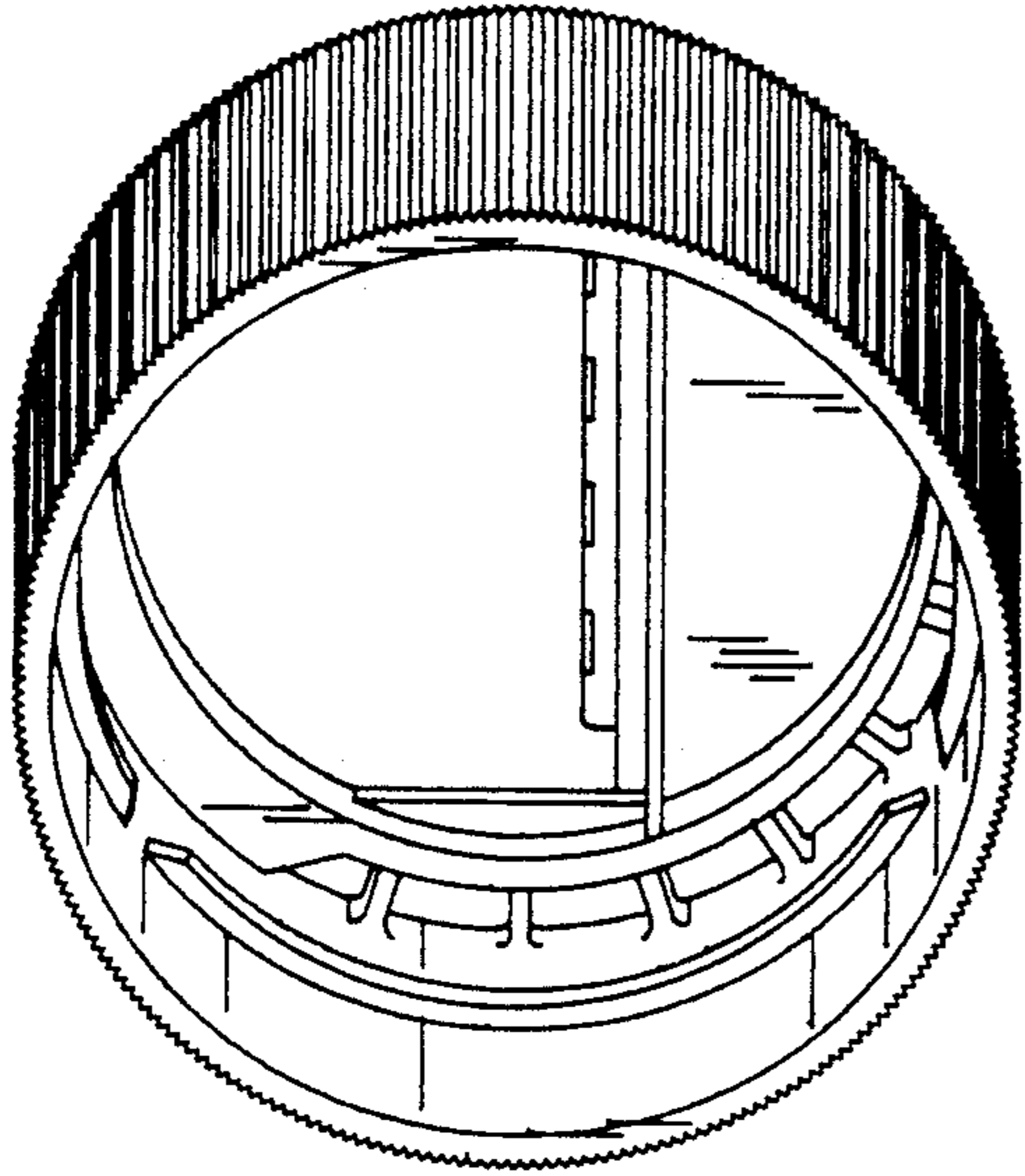


Fig. 7

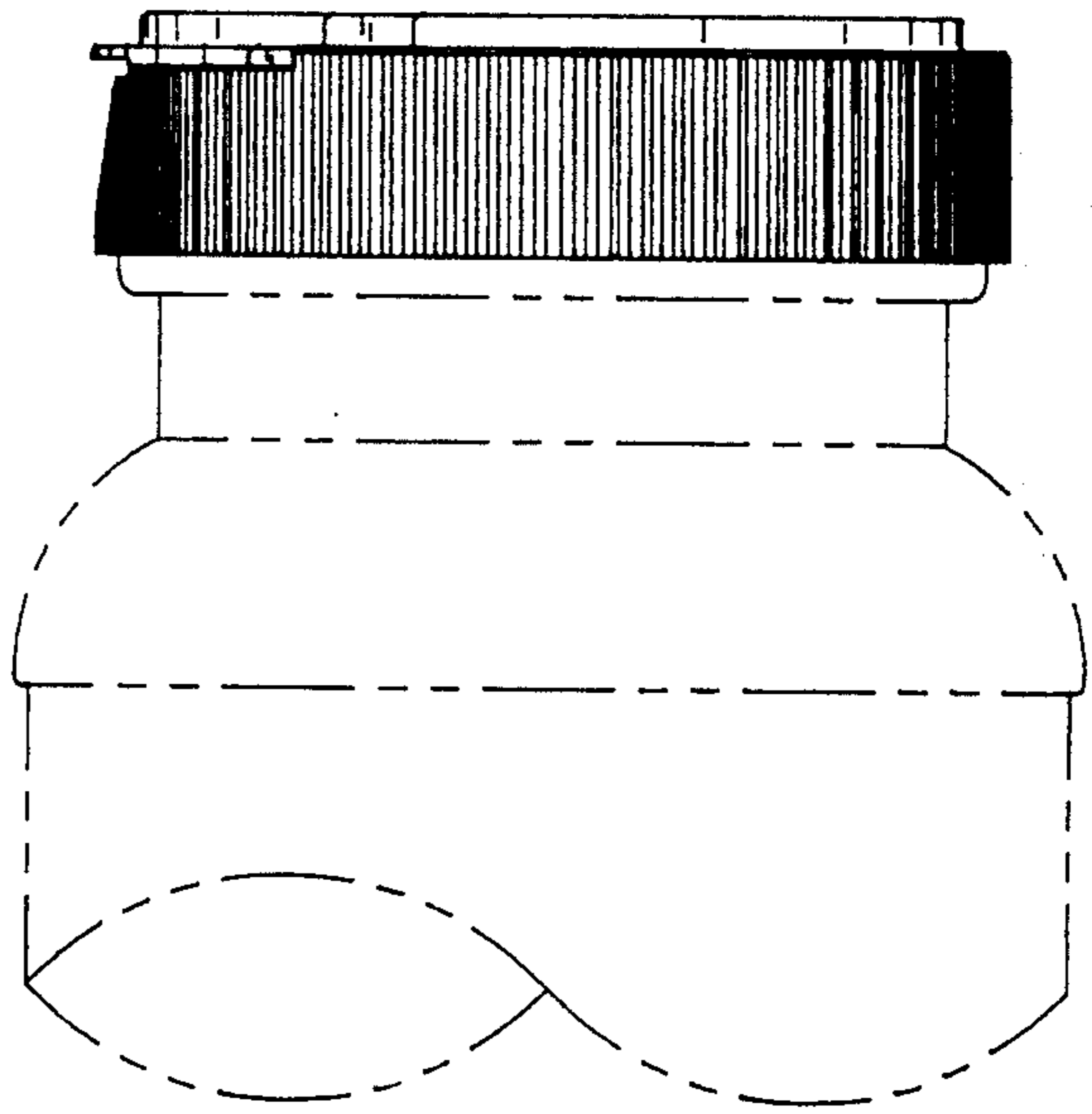


Fig. 8

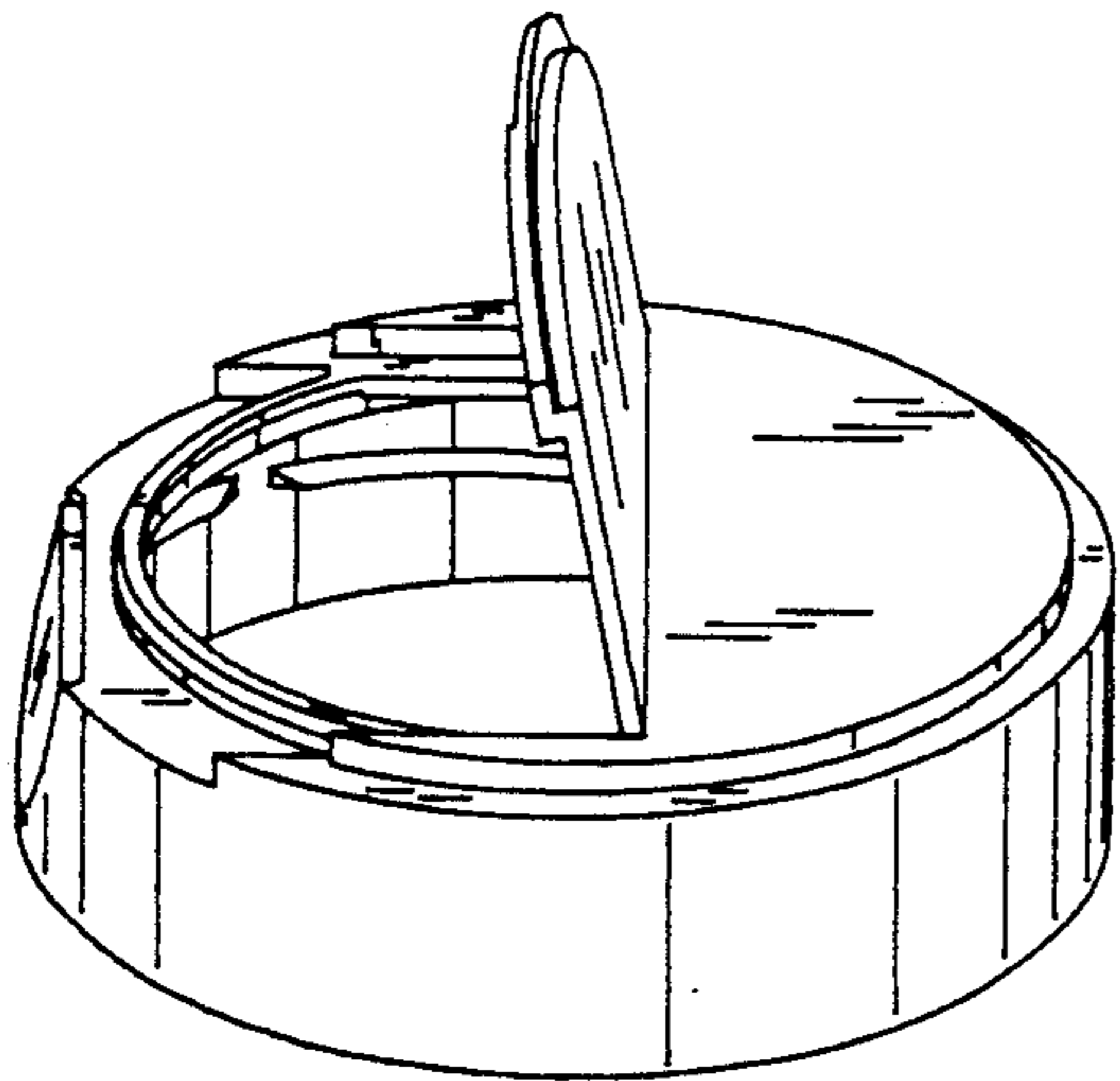


Fig. 9