



US00D331877S

United States Patent [19]

[11] Patent Number: **Des. 331,877**

Robichaud et al.

[45] Date of Patent: **** Dec. 22, 1992**

[54] **CLOSURE**

4,807,787 2/1989 Langmeier 222/537 X

[75] Inventors: **Arthur W. Robichaud**, Worthington;
William B. Peterson, Mt. Vernon,
both of Ohio; **C. Daniel Miller**,
Rockford, Ill.

Primary Examiner—Bernard Ansher
Assistant Examiner—Dominic Simone
Attorney, Agent, or Firm—Porter, Wright, Morris &
Arthur

[73] Assignee: **Combibloc, Inc.**, Columbus, Ohio

[57] **CLAIM**

[**] Term: **14 Years**

The ornamental design for a closure, as shown and described.

[21] Appl. No.: **686,576**

DESCRIPTION

[22] Filed: **Apr. 17, 1991**

[52] U.S. Cl. **D9/449; D9/435**

[58] Field of Search **D9/435, 449; 222/548,**
222/544, 555-557, 517

FIG. 1 is a perspective view of a closure showing our new design;

FIG. 2 is a top plan view thereof;

FIG. 3 is a bottom plan view thereof;

FIG. 4 is a left side elevational view thereof, the right side being mirror image;

FIG. 5 is a front elevational view thereof;

FIG. 6 is a rear elevational view thereof;

FIG. 7 is a top plan view thereof, in an open position;

FIG. 8 is a bottom plan view of FIG. 7;

FIG. 9 is a left side elevational view of FIG. 7;

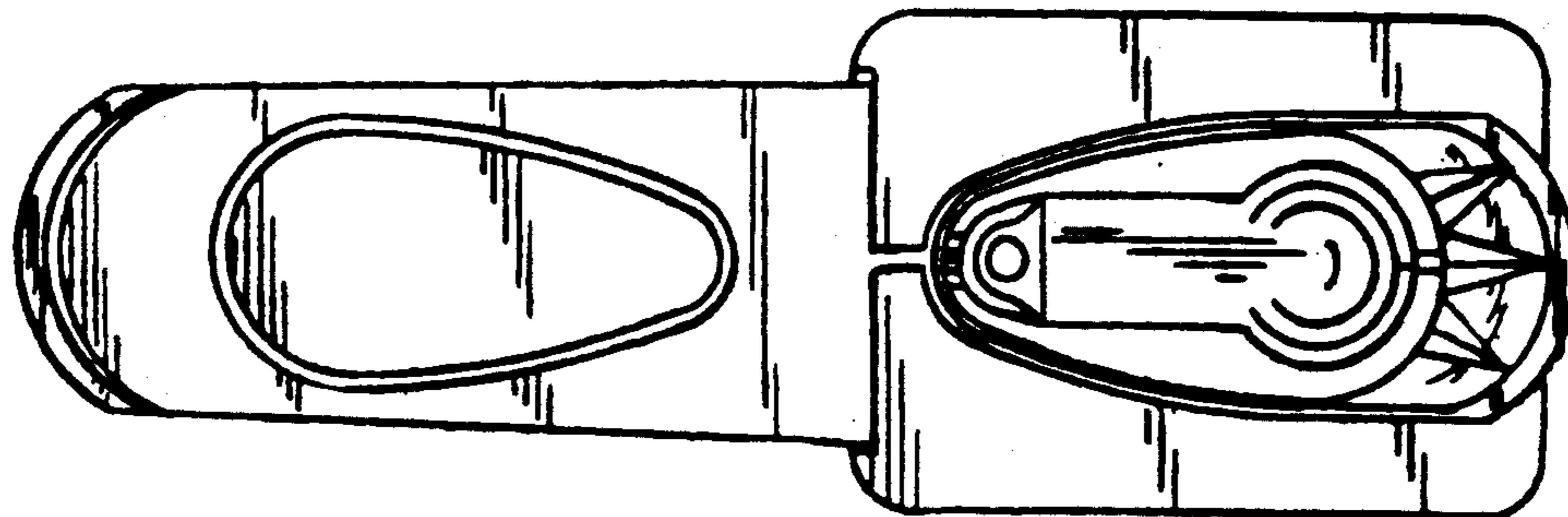
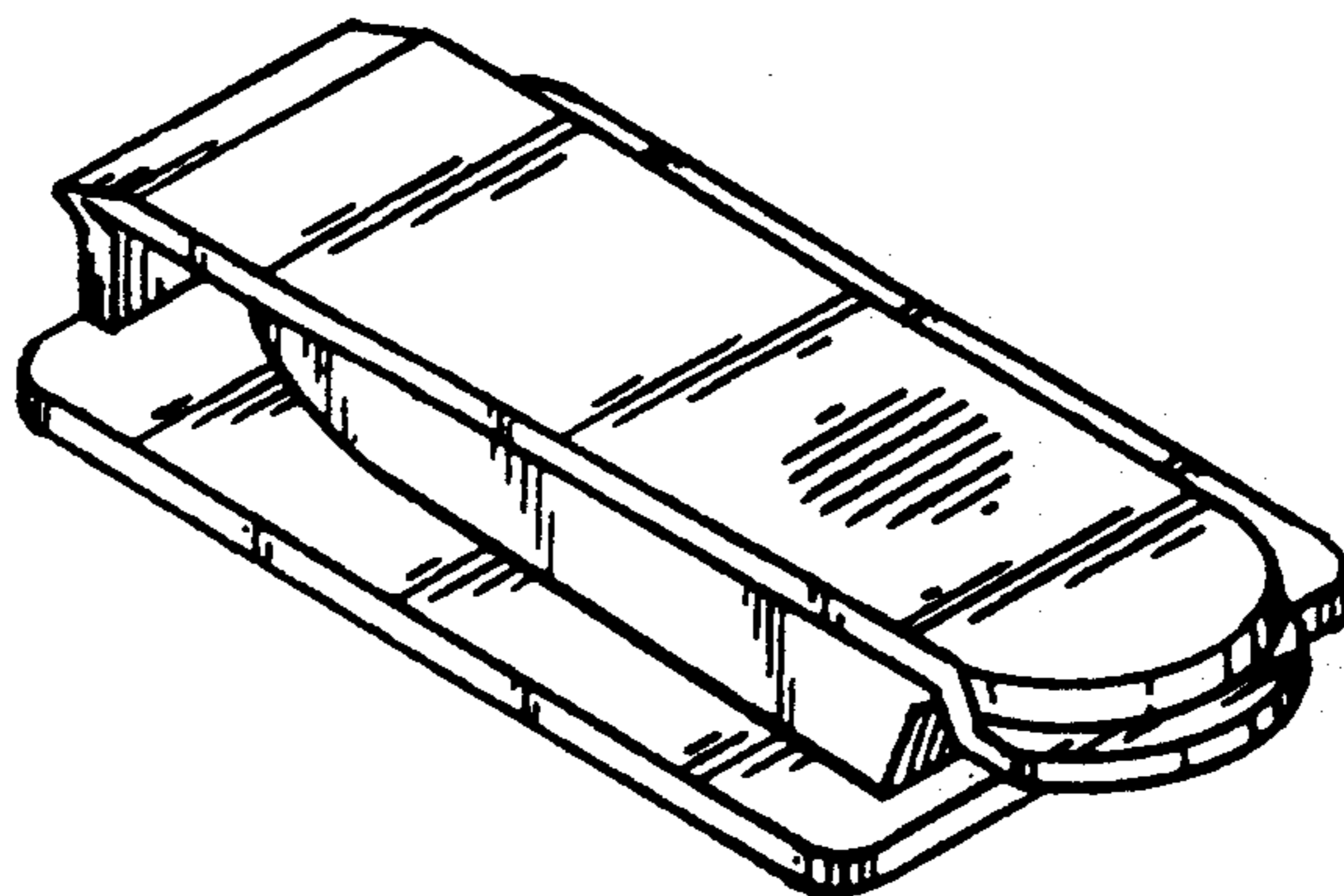
FIG. 10 is a front elevational view of FIG. 7; and,

FIG. 11 is a rear elevational view of FIG. 7.

[56] **References Cited**

U.S. PATENT DOCUMENTS

D. 306,830	3/1990	DeCoster	D9/449 X
D. 314,708	2/1991	DeCoster	D9/449
2,155,910	4/1939	Severy	222/537
2,322,527	6/1943	Leatherman	222/537
2,886,218	5/1959	Marcus	222/517
3,251,509	5/1966	Foster	222/556



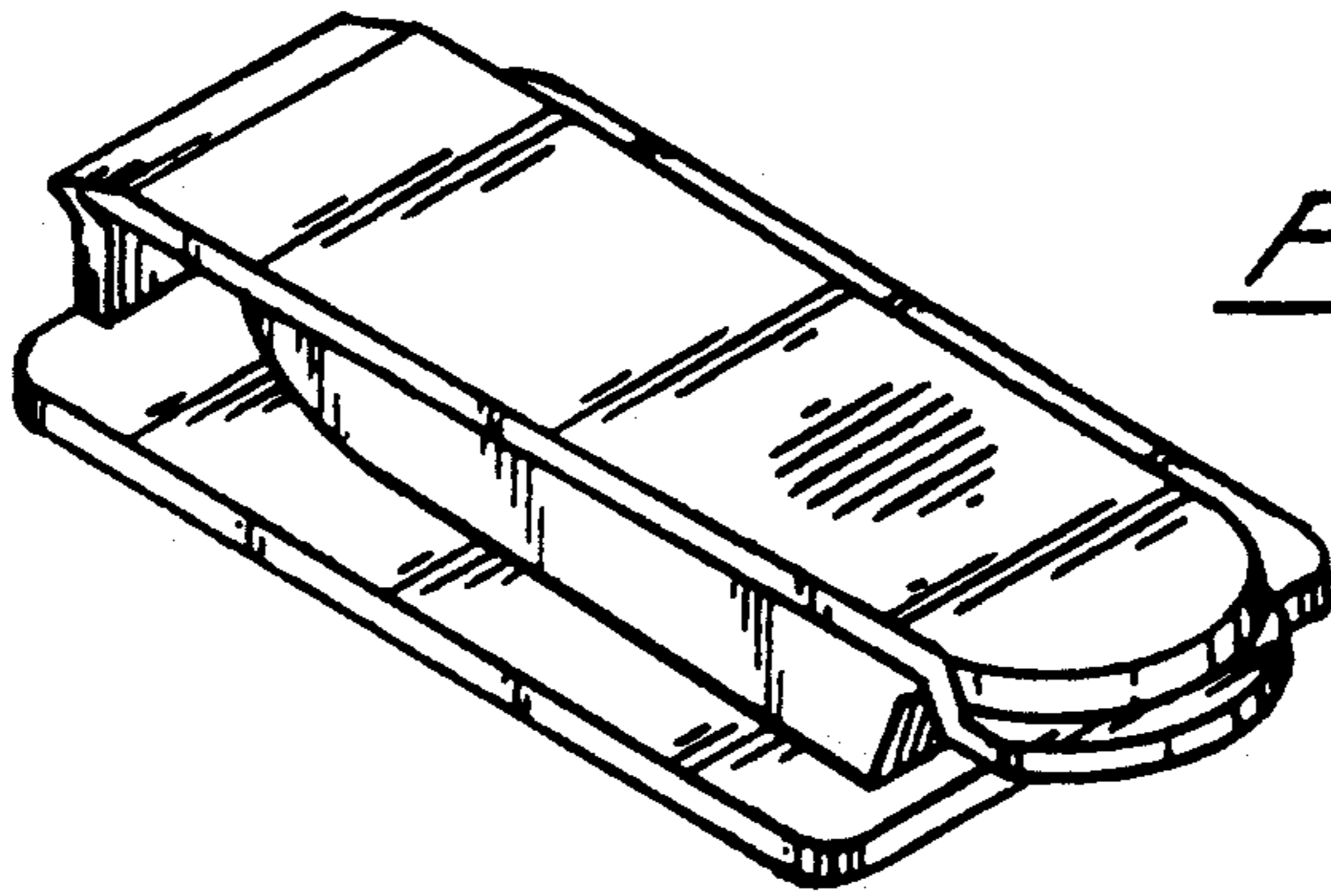


FIG. 1

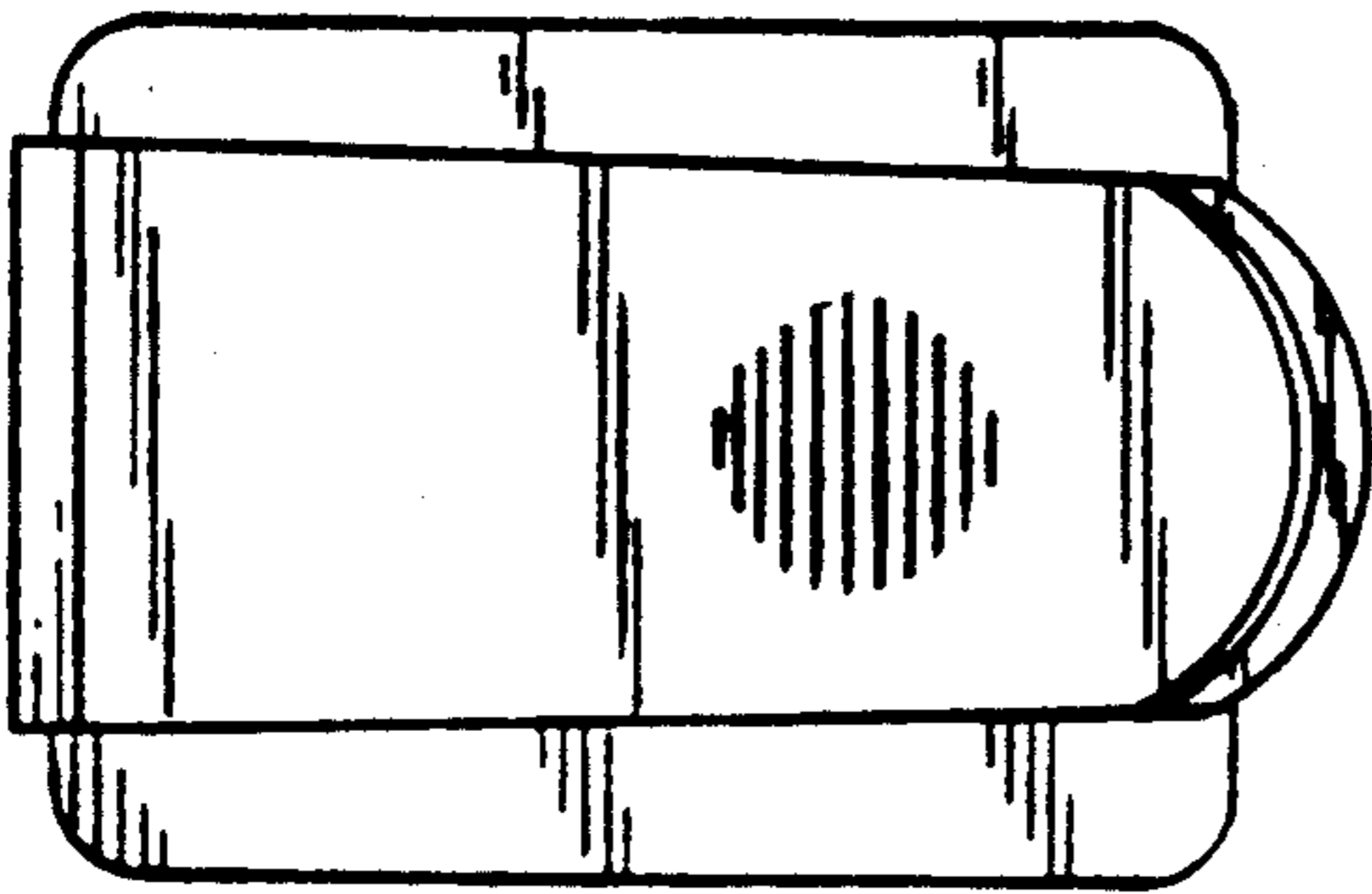


FIG. 2

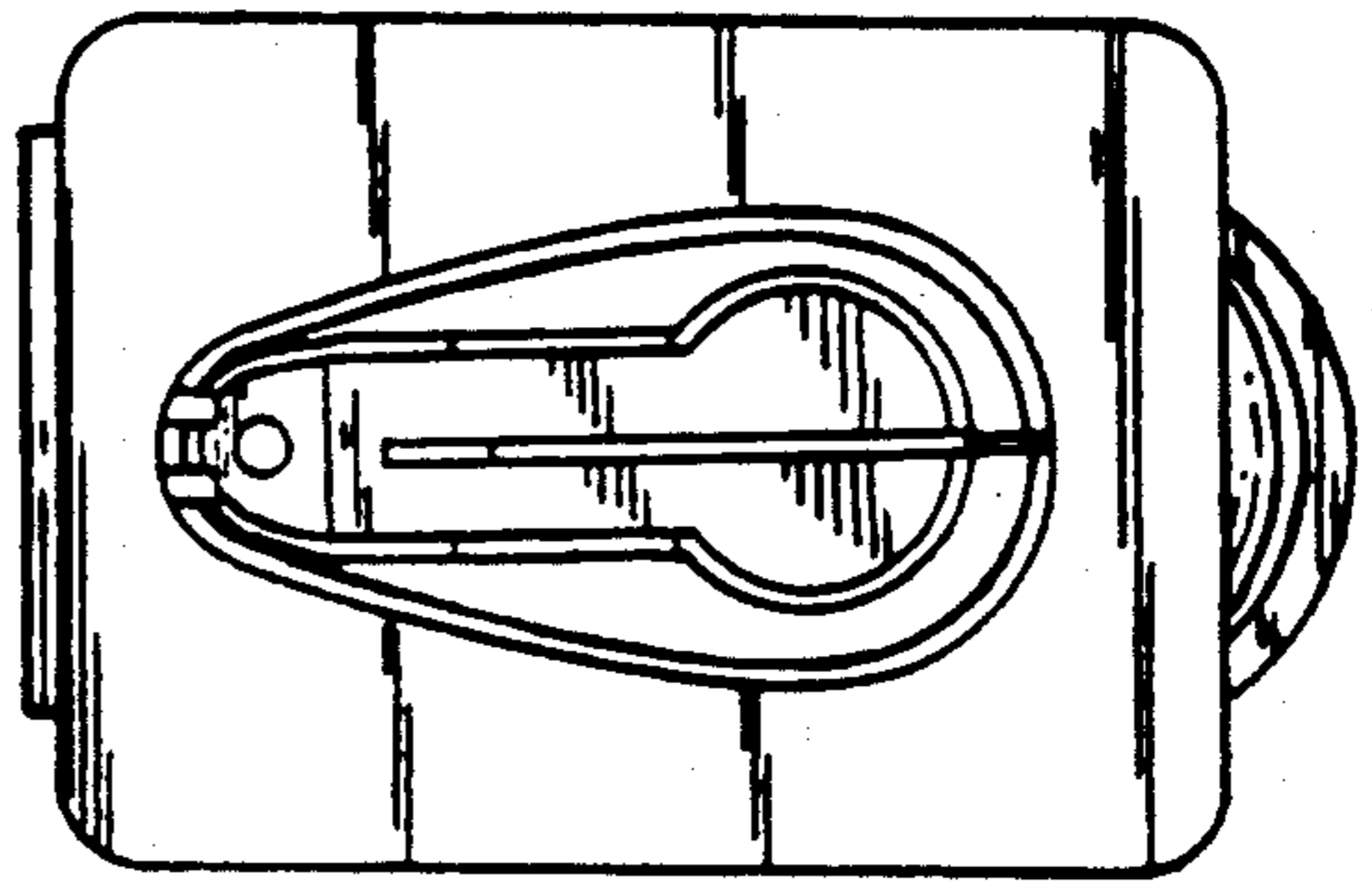


FIG. 3

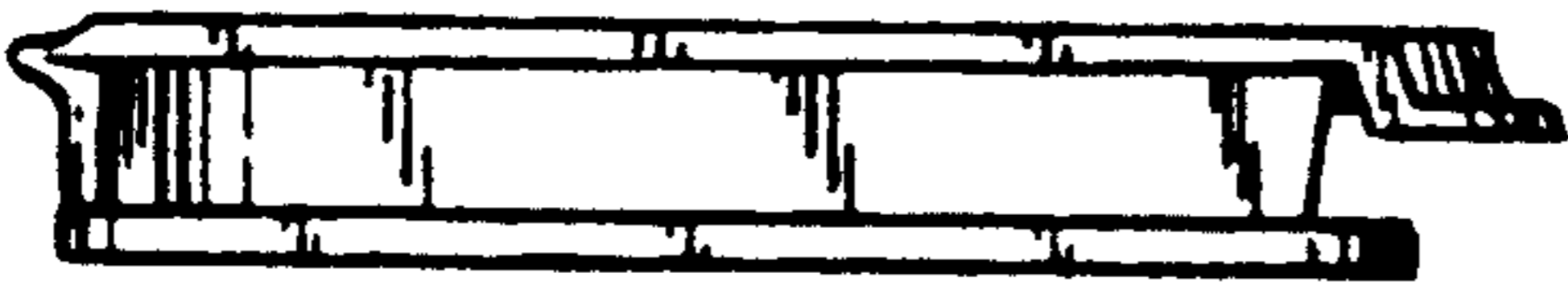


FIG. 4

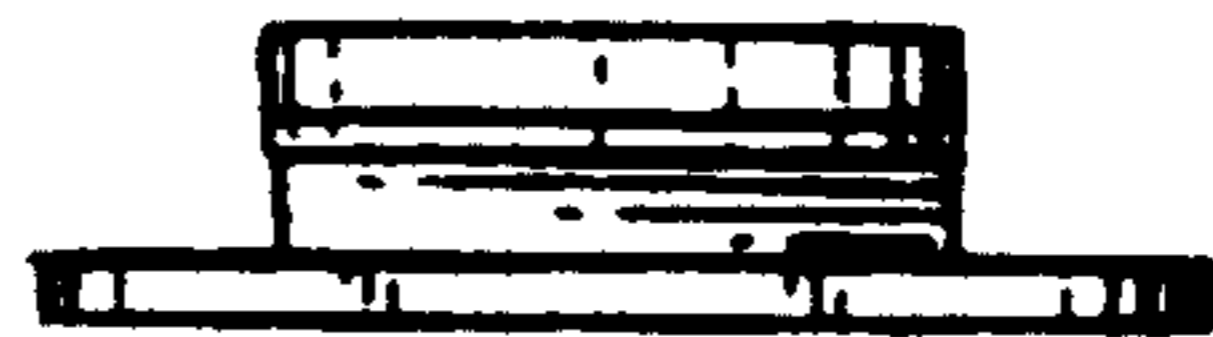


FIG. 5

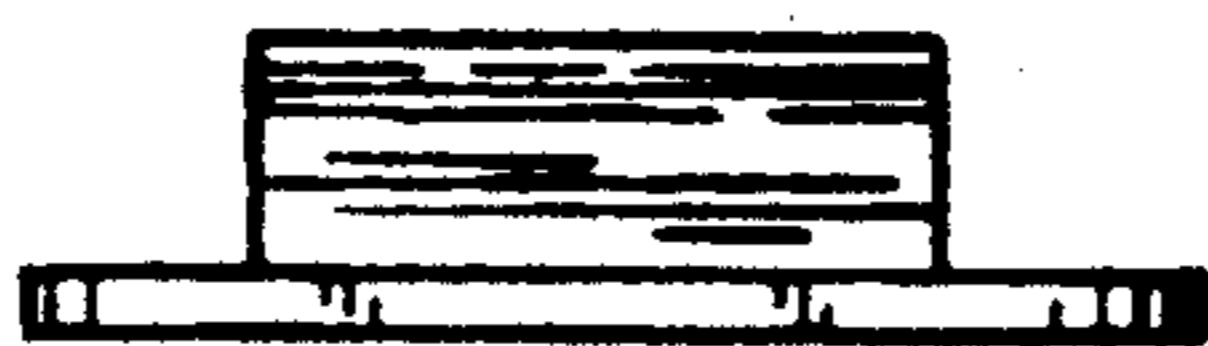


FIG. 6

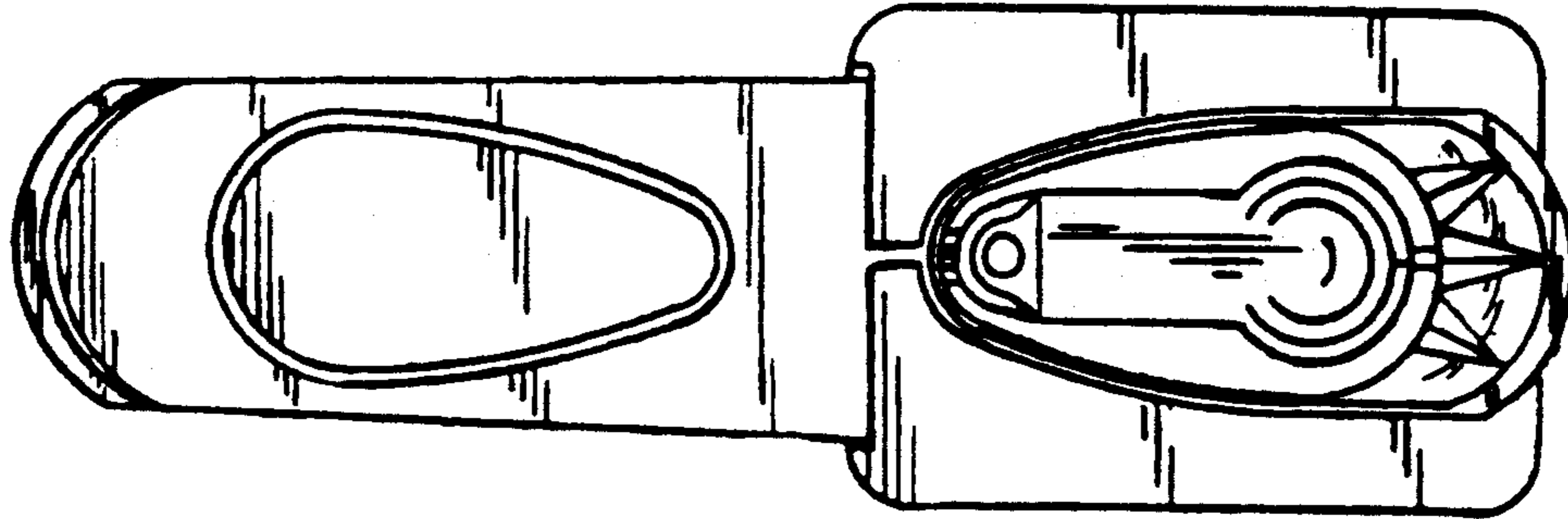


FIG. 7

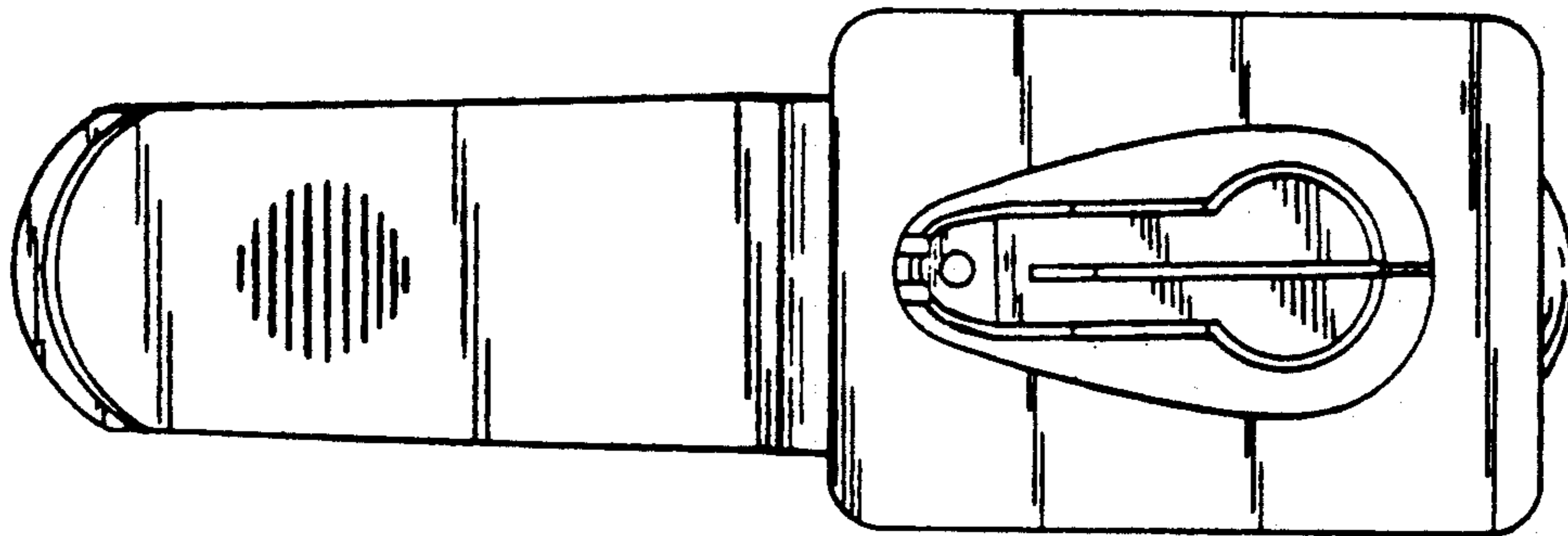


FIG. 8

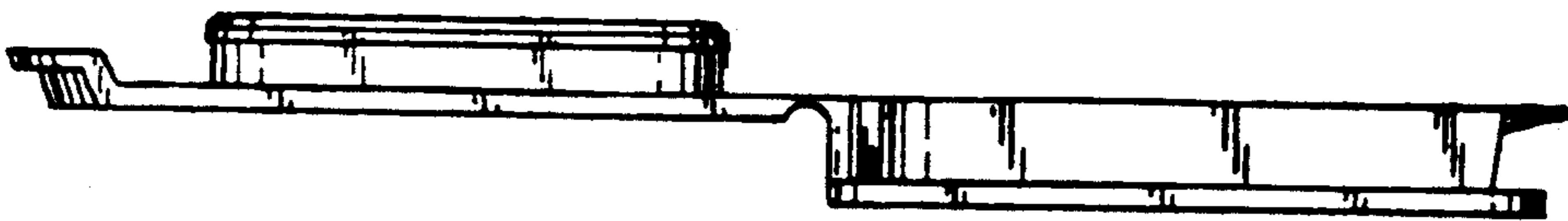


FIG. 9

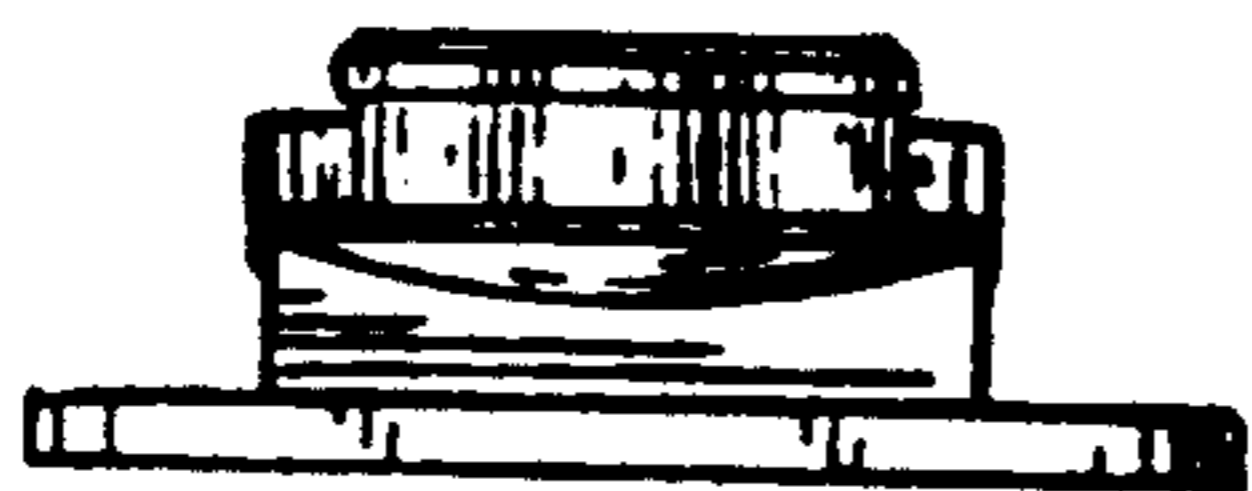


FIG. 10

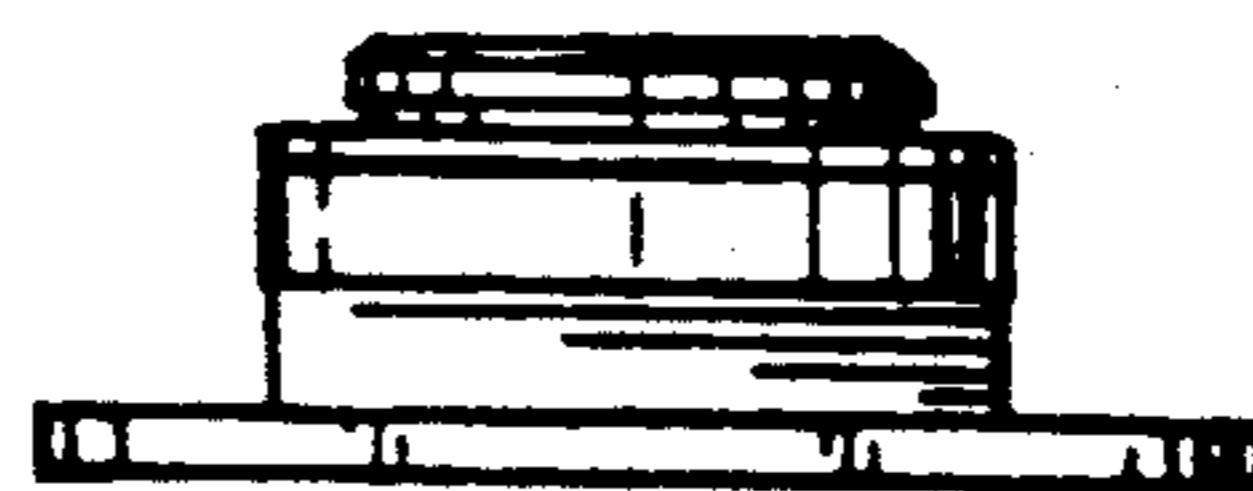


FIG. 11