



US00D331873S

United States Patent [19]

[11] Patent Number: **Des. 331,873**

Finkelstein et al.

[45] Date of Patent: **** Dec. 22, 1992**

[54] TWO PIECE SHELF BRACKET

[75] Inventors: **Burl Finkelstein, Shenandoah; Thomas A. Thorsen, Moreland, both of Ga.**

[73] Assignee: **Kason Industries, Inc., Shenandoah, Ga.**

[**] Term: **14 Years**

[21] Appl. No.: **560,303**

[22] Filed: **Jul. 30, 1990**

[52] U.S. Cl. **D8/381**

[58] Field of Search **D8/380, 356, 354, 363, D8/347; 248/243; D6/553**

[56] References Cited

U.S. PATENT DOCUMENTS

D. 45,918	6/1914	Strong	D8/363
D. 245,134	7/1977	Friedberg	D8/363 X
D. 251,343	3/1971	Hausen	D8/356
D. 276,195	11/1984	Smith	D8/380
D. 288,281	2/1987	Spicer	D6/553 X
D. 315,494	3/1991	Lathom	D8/380 X
3,114,531	12/1963	Weber	D8/381 X
3,848,844	11/1974	Bannett	248/245 X
4,171,789	10/1979	Vander Hoek	248/243
4,327,888	5/1982	Scheneman	D8/321 X
4,934,642	6/1990	Baron et al.	248/243 X

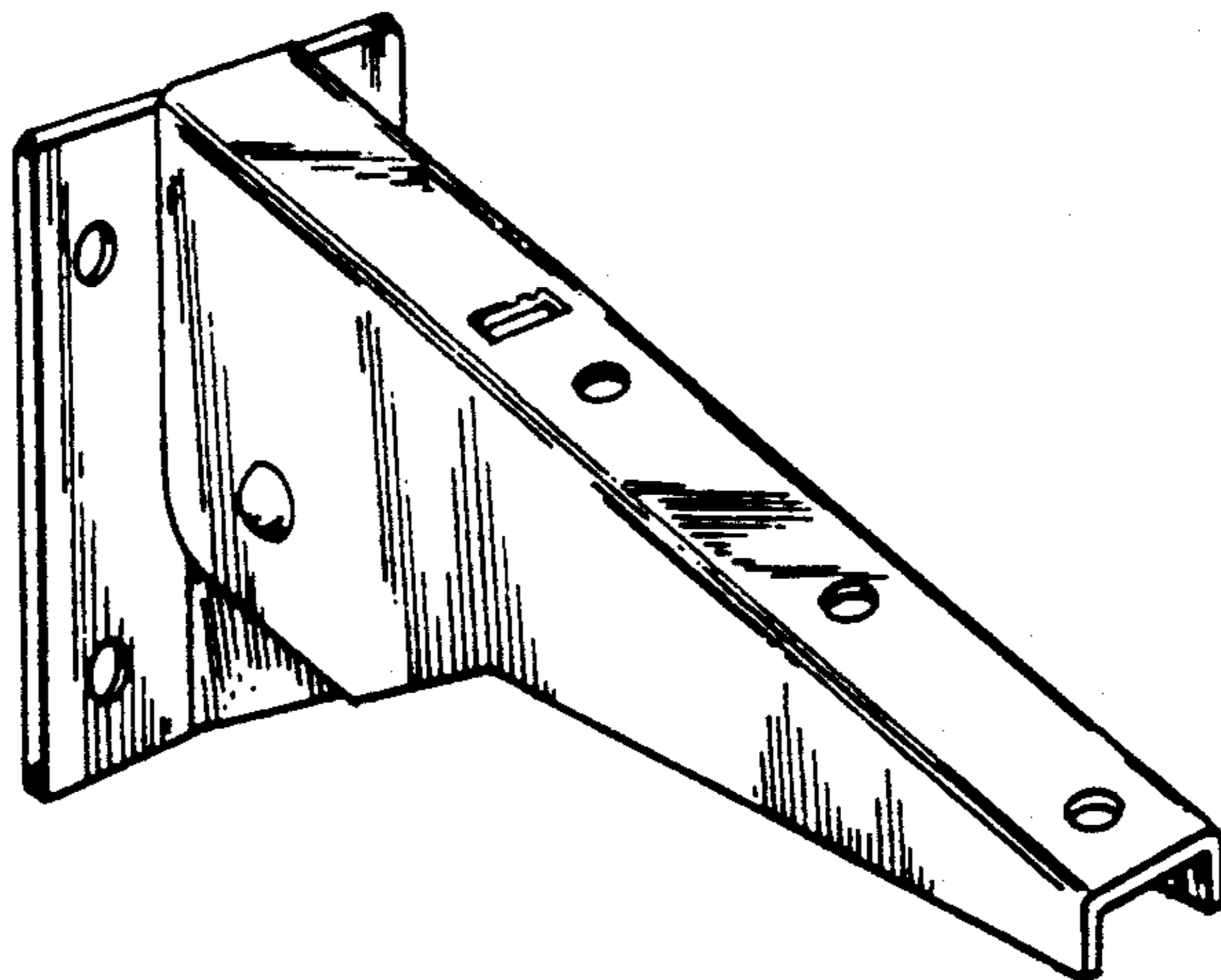
Primary Examiner—Horace B. Fay, Jr.
Attorney, Agent, or Firm—Kennedy & Kennedy

[57] CLAIM

The ornamental design for a two piece shelf bracket, as shown and described.

DESCRIPTION

FIG. 1 is a perspective view of a two piece shelf bracket shown in an assembled, extended configuration; FIG. 2 is a front elevational view thereof; FIG. 3 is a rear elevational view thereof; FIG. 4 is a right side elevational view thereof; FIG. 5 is a left side elevational view thereof; FIG. 6 is a top view thereof; FIG. 7 is a bottom view thereof; FIG. 8 is a perspective view of the two piece shelf bracket shown in an unassembled, extended configuration; FIG. 9 is a front elevational view thereof; FIG. 10 is a rear elevational view thereof; FIG. 11 is a right side elevational view thereof; FIG. 12 is a left side elevational view thereof; FIG. 13 is a top view thereof; FIG. 14 is a bottom view thereof; FIG. 15 is a perspective view of the two piece shelf bracket shown in an assembled, folded configuration; FIG. 16 is a front elevational view thereof; FIG. 17 is a rear elevational view thereof; FIG. 18 is a left side elevational view thereof; FIG. 19 is a right side elevational view thereof; FIG. 20 is a top view thereof; and, FIG. 21 is a bottom view thereof.



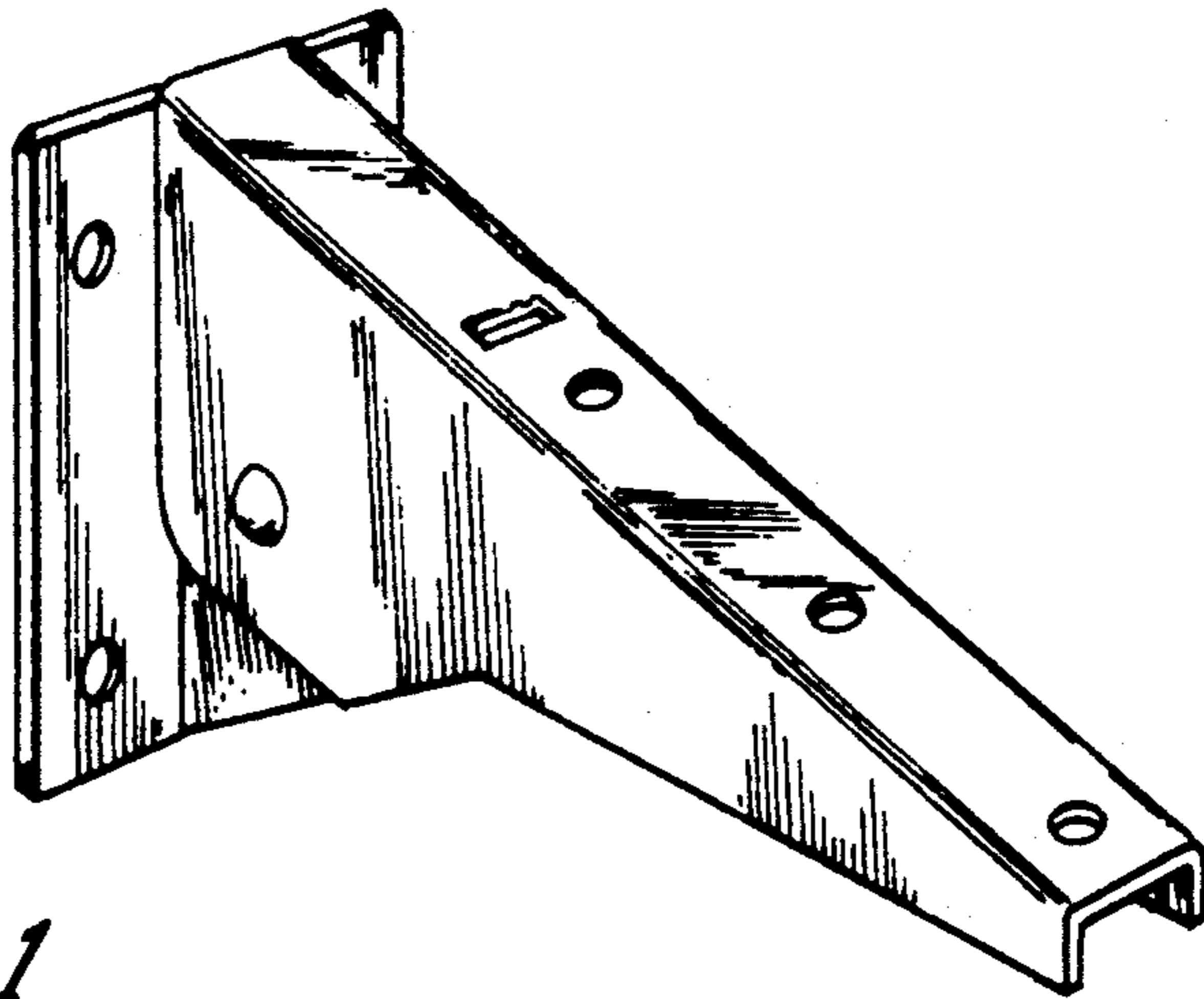


Fig 1

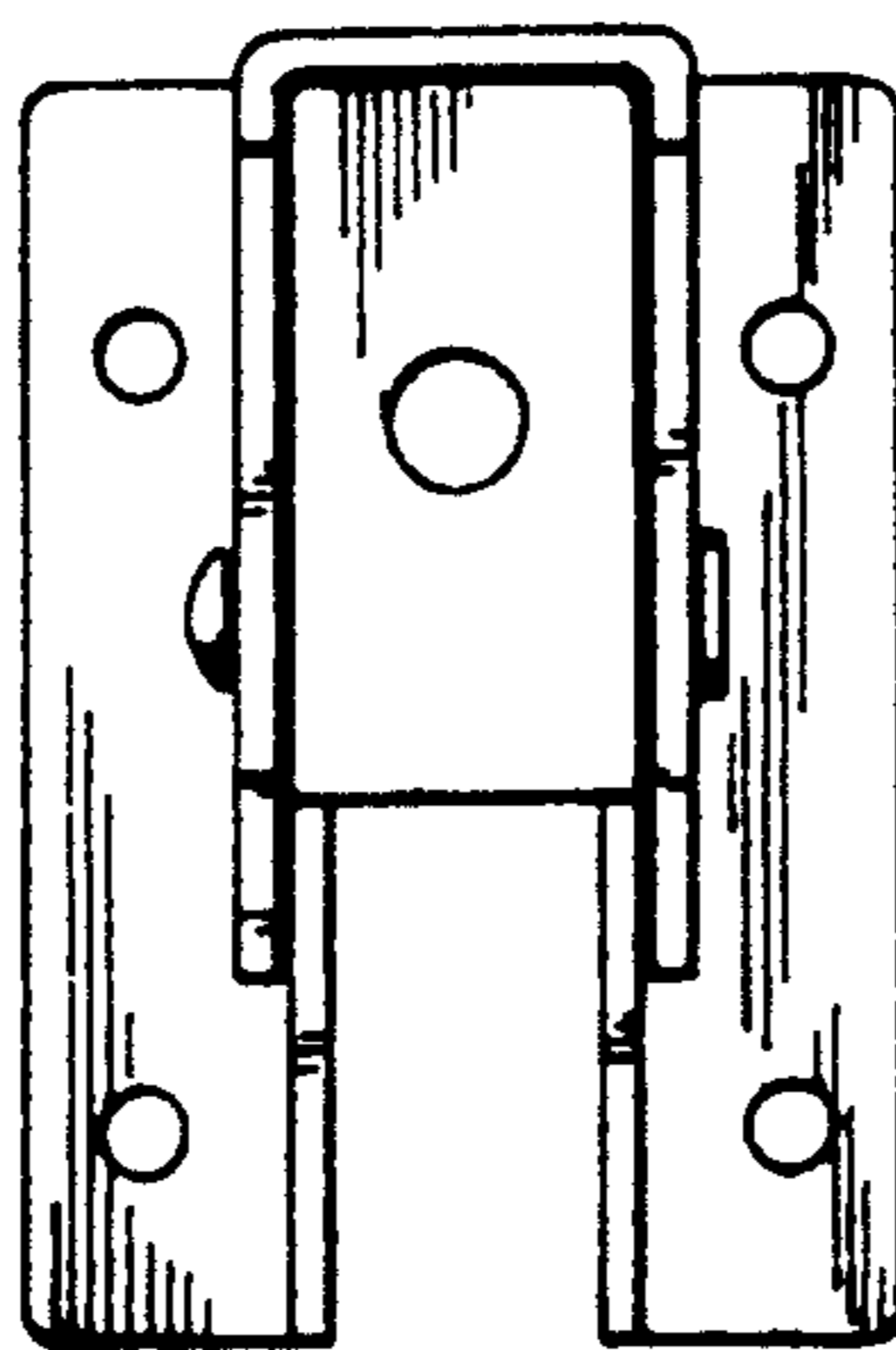


Fig 2

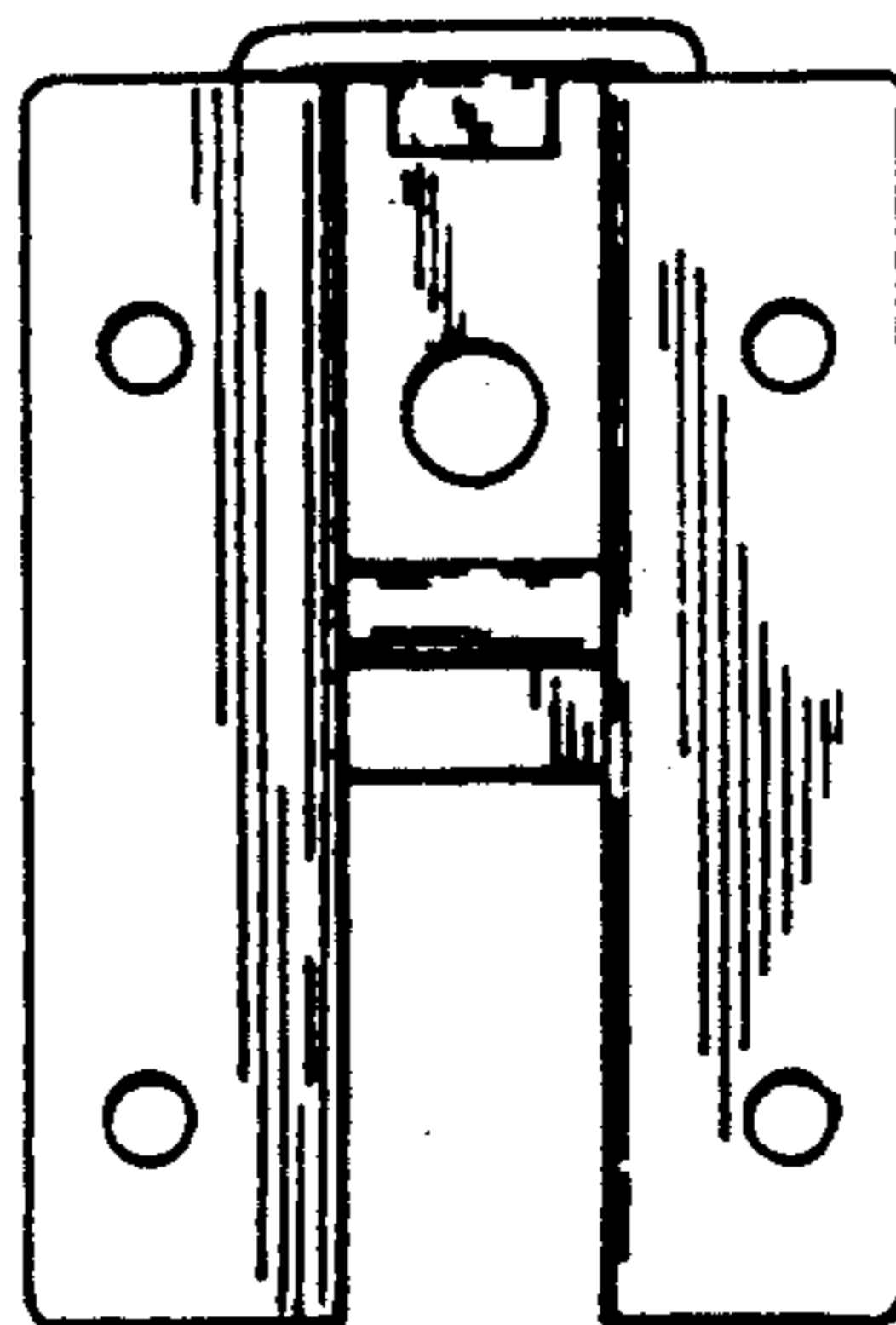


Fig 3

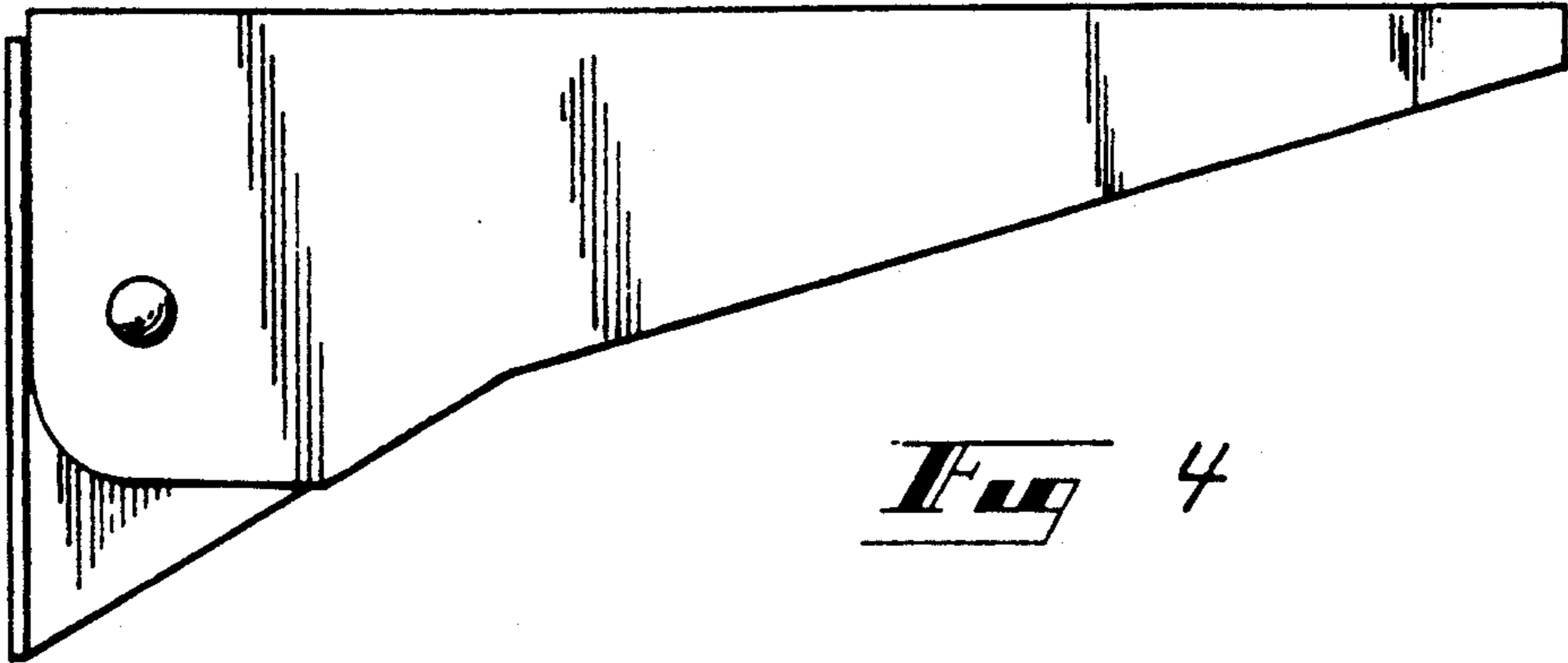


Fig 4

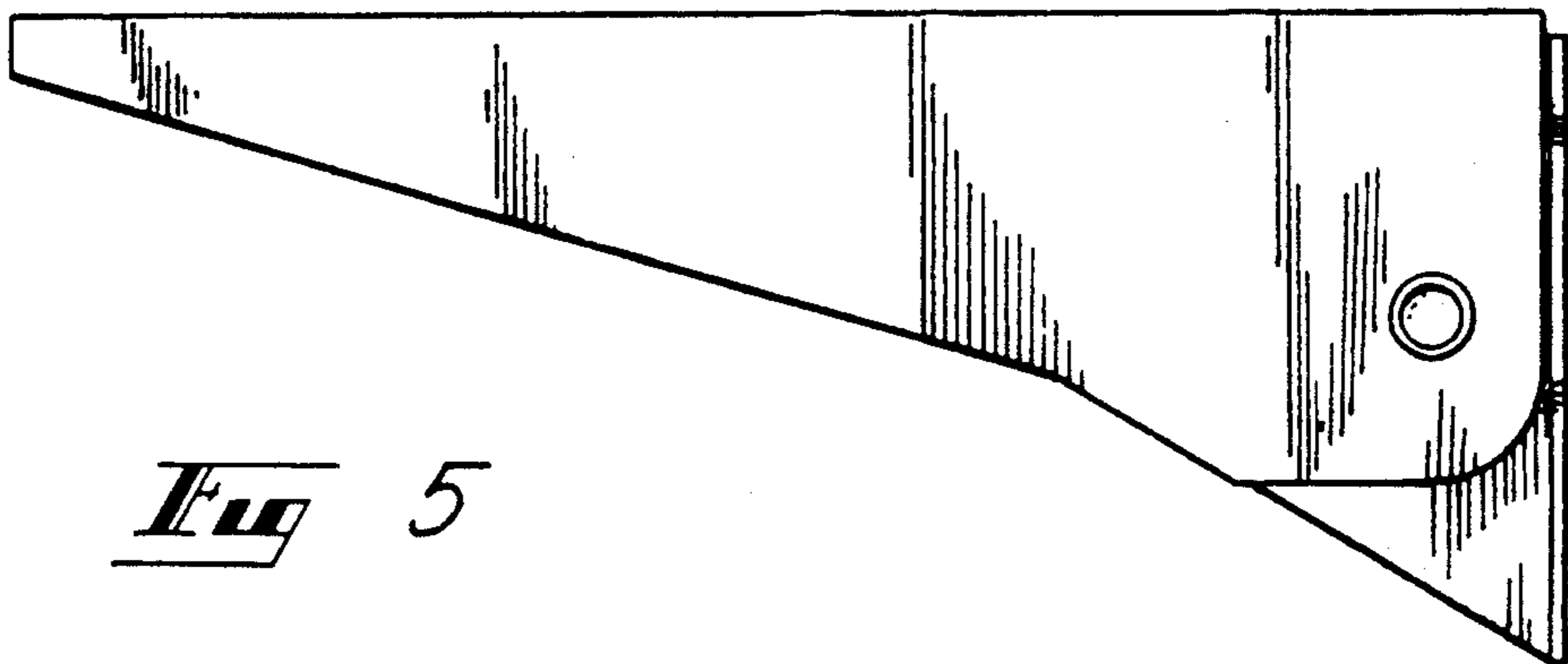


Fig 5

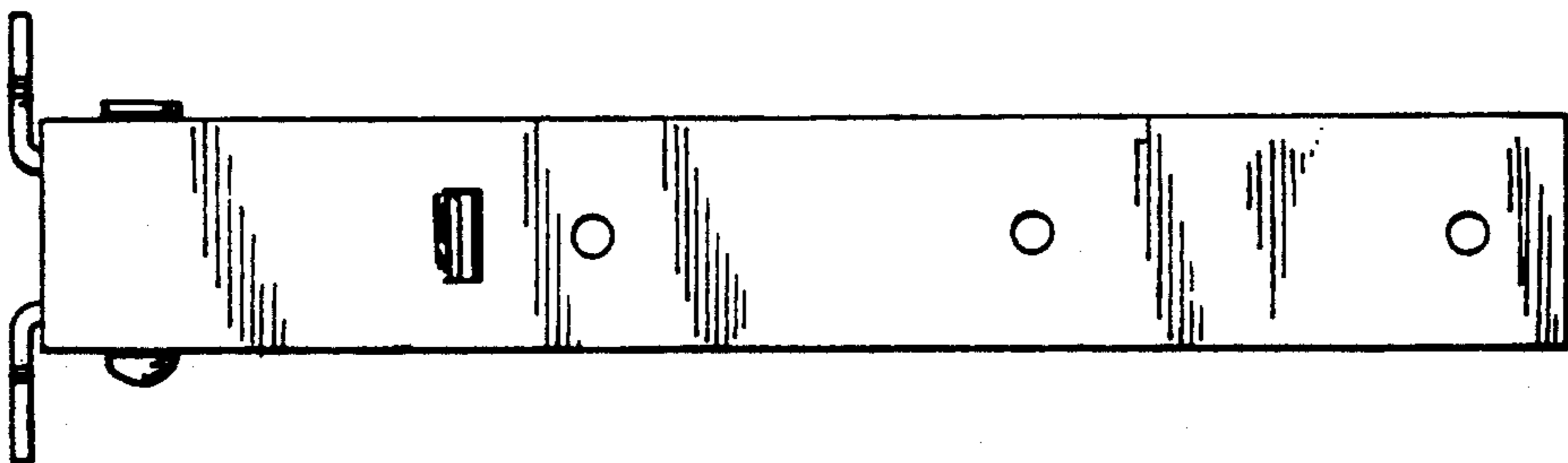


Fig 6

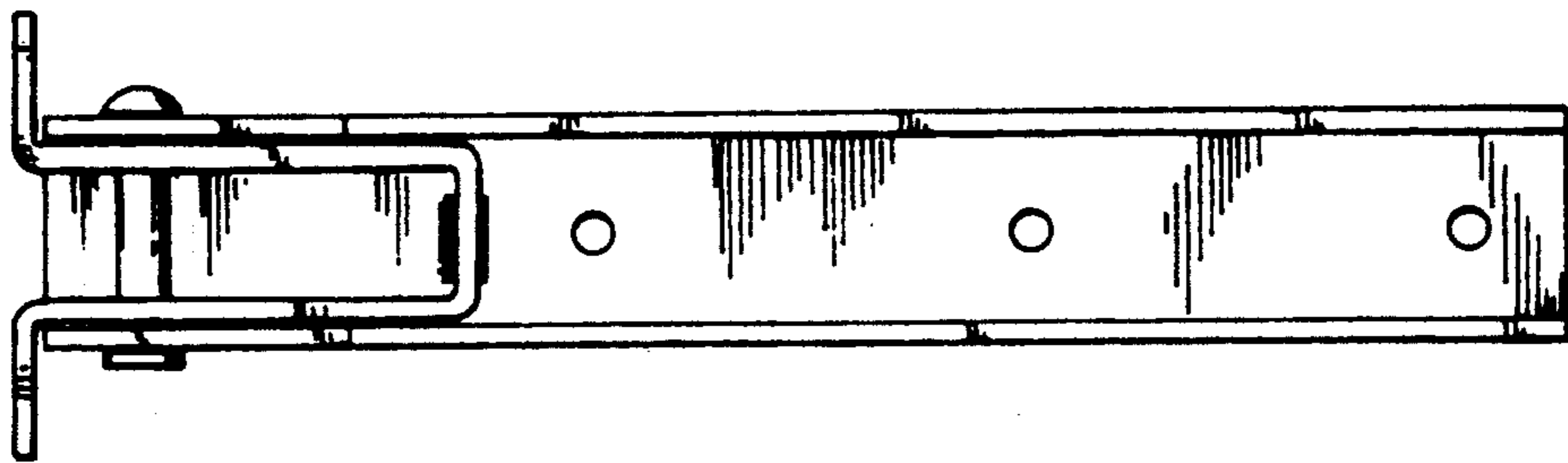
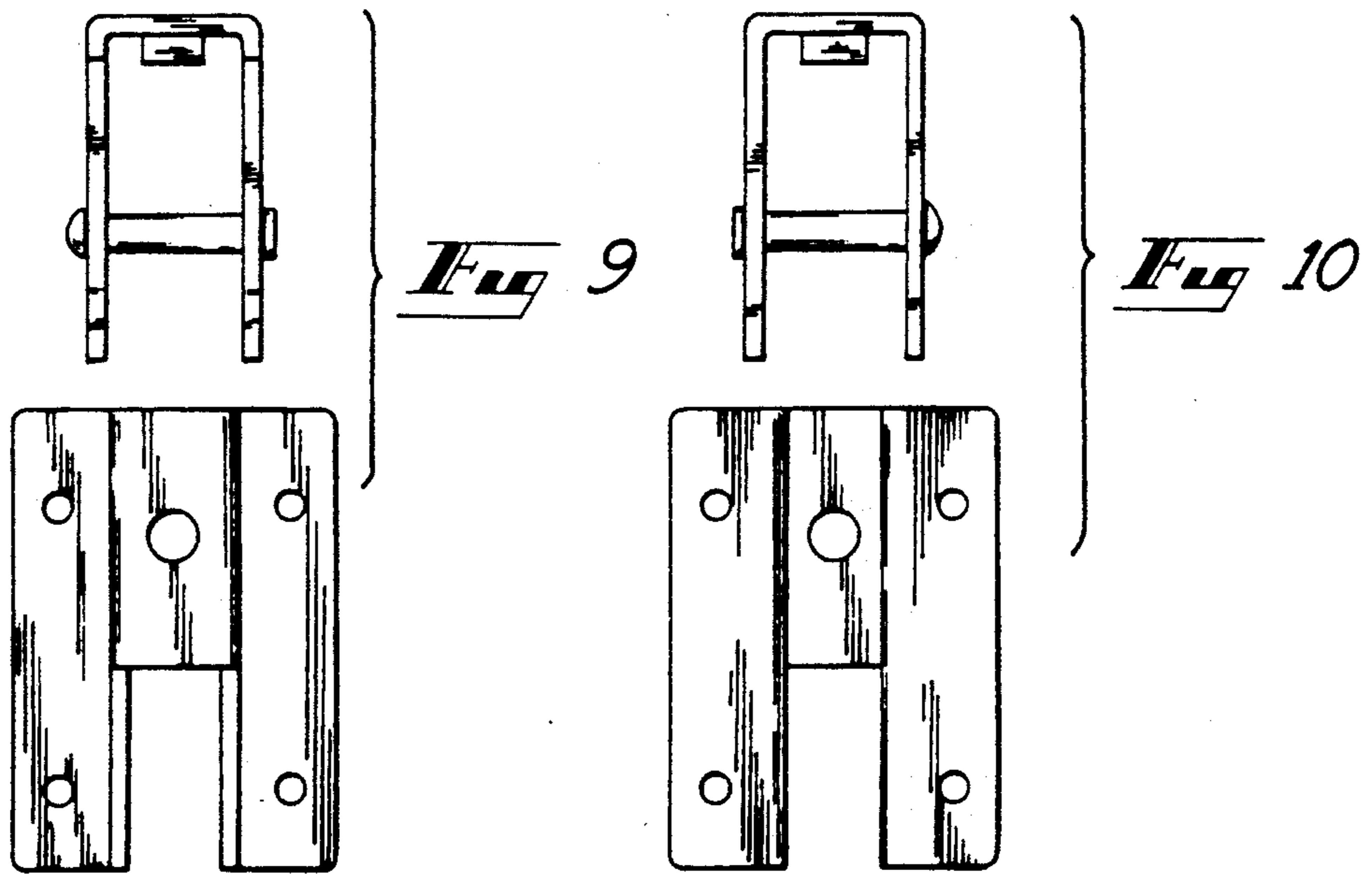
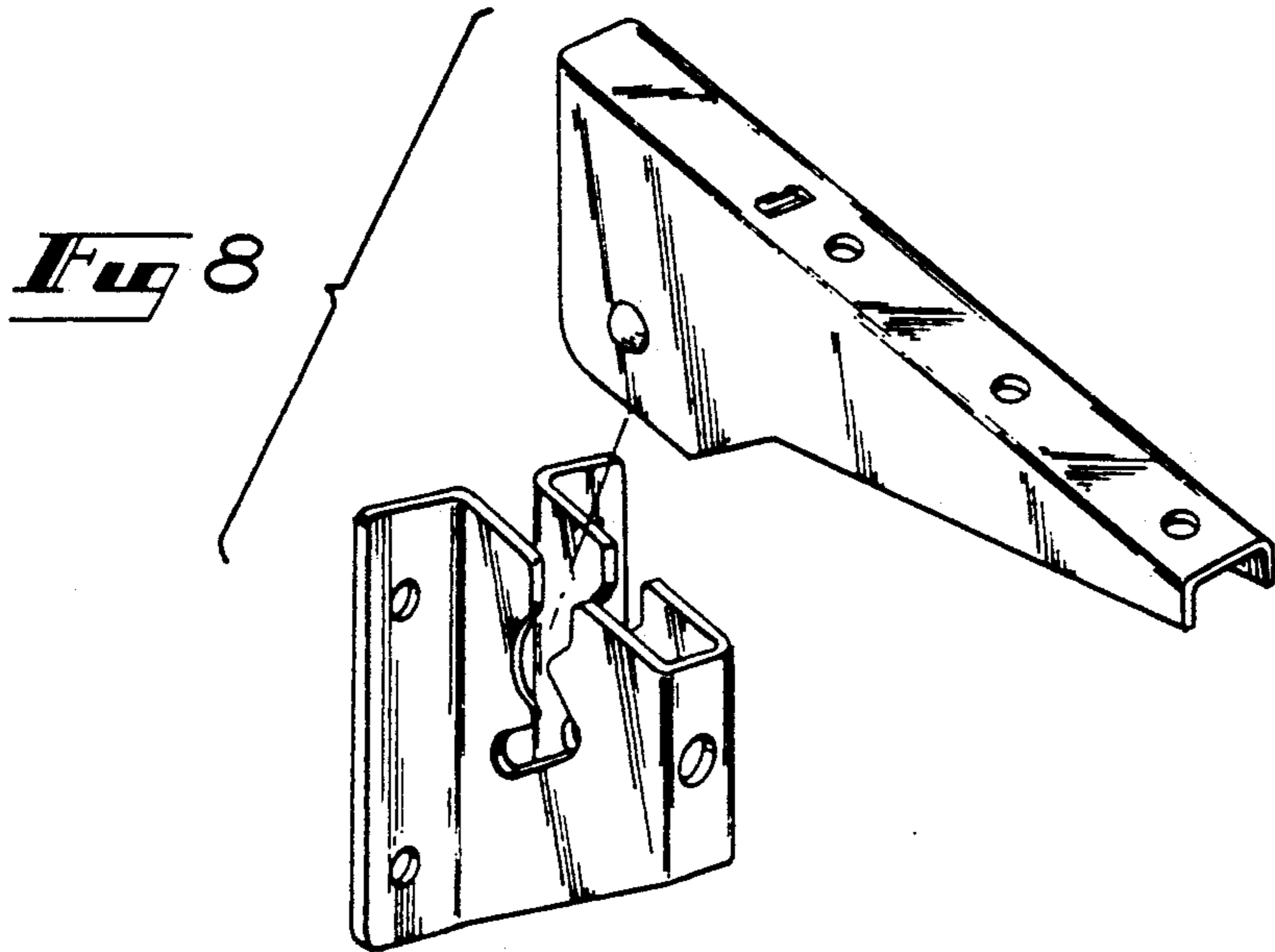
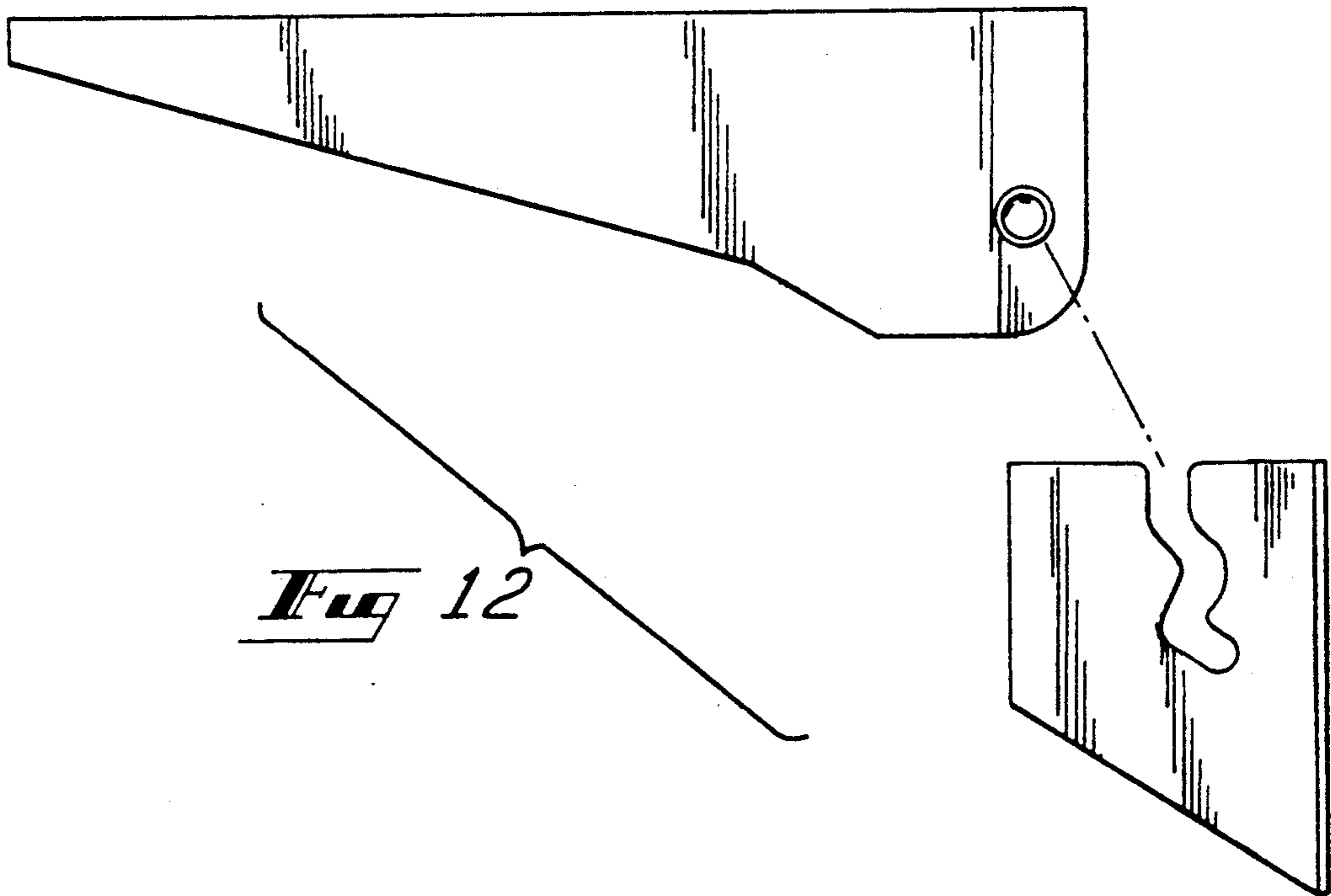
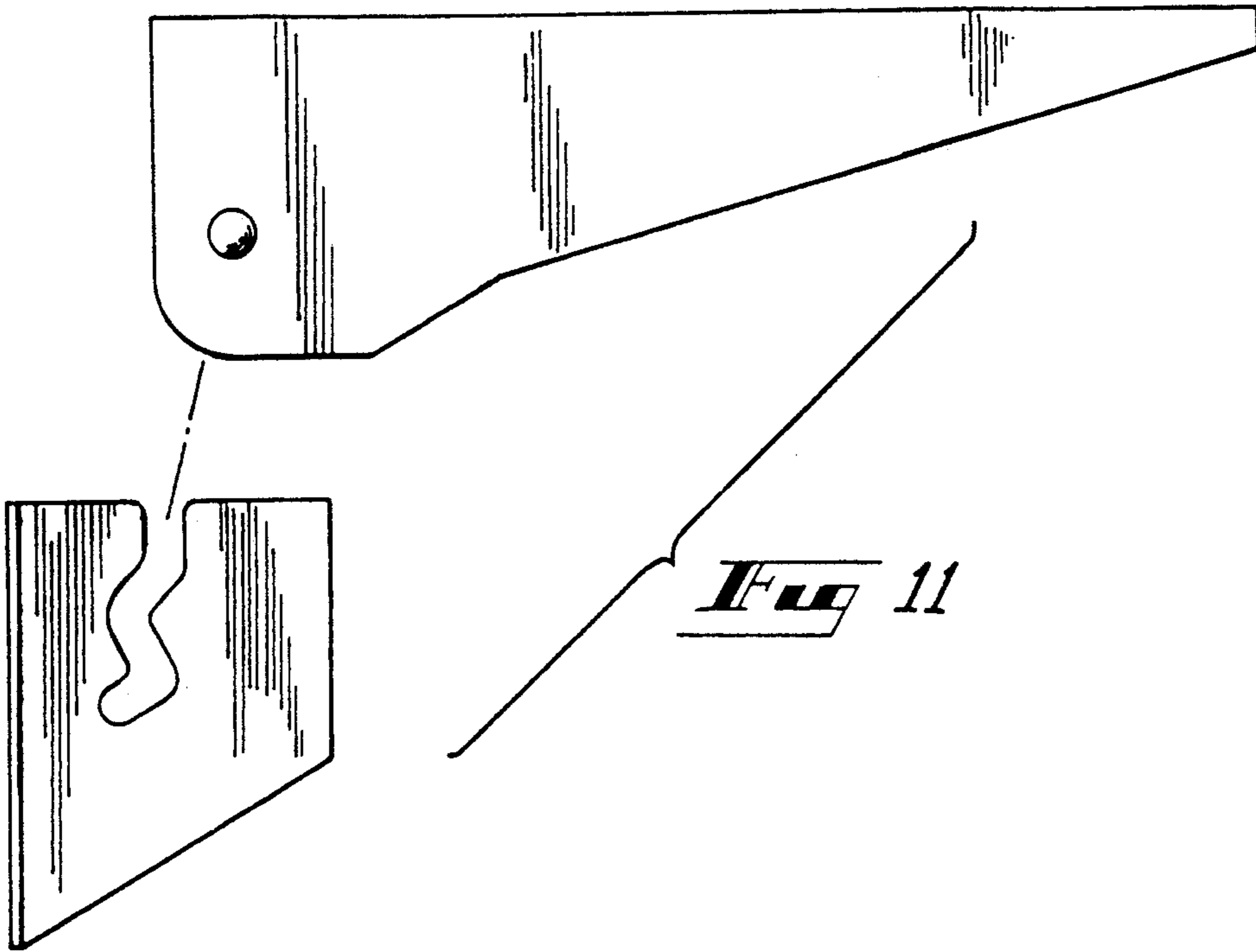
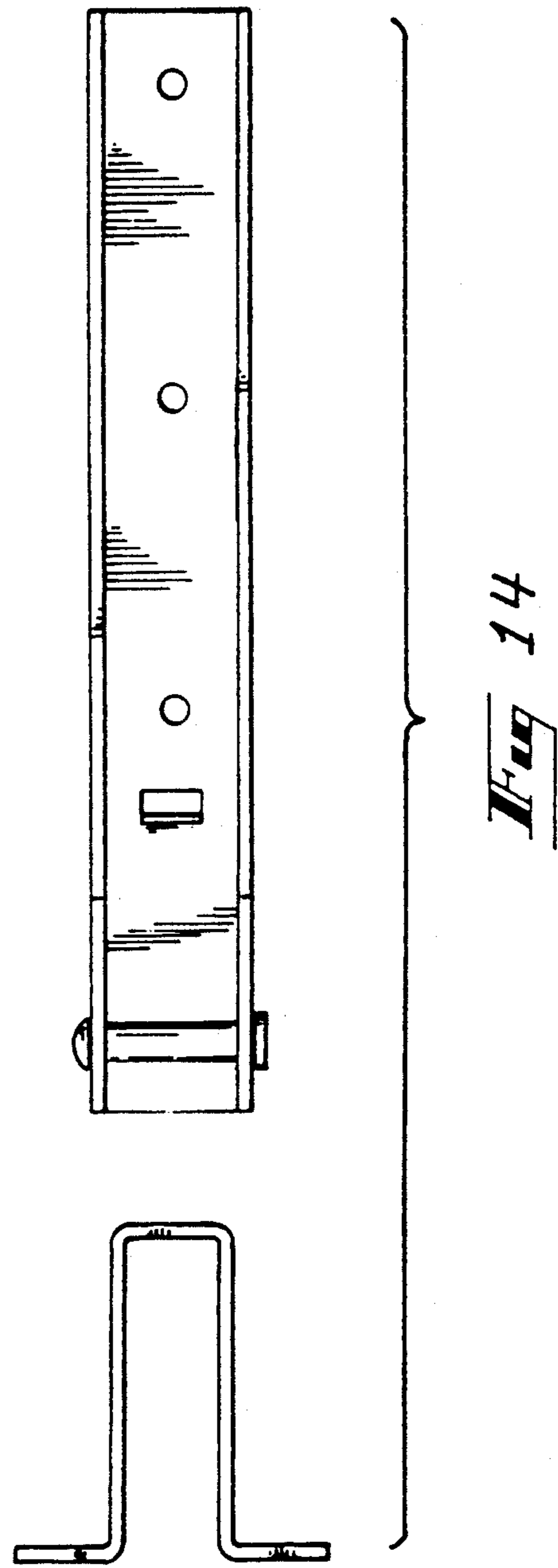
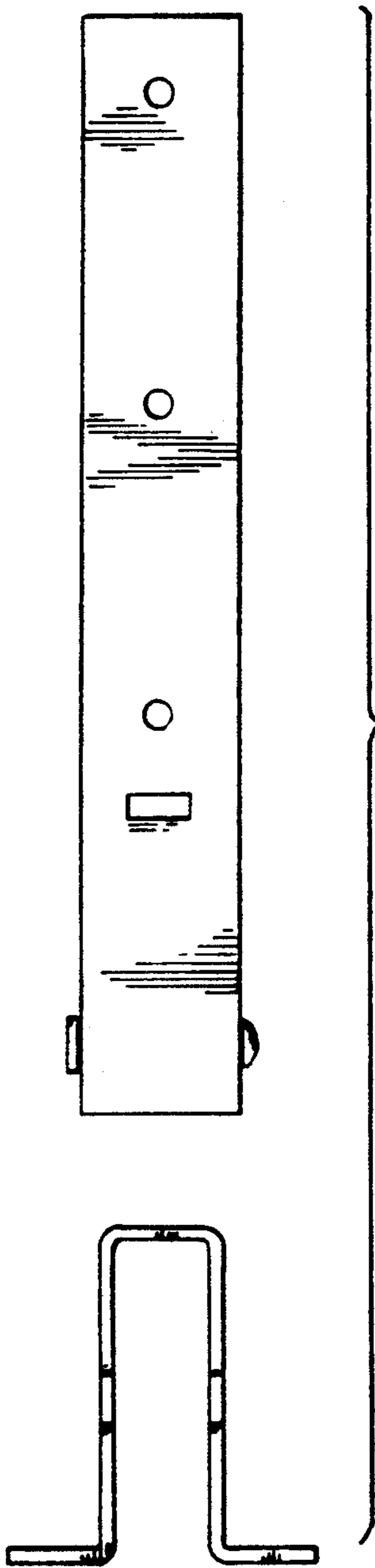


Fig 7







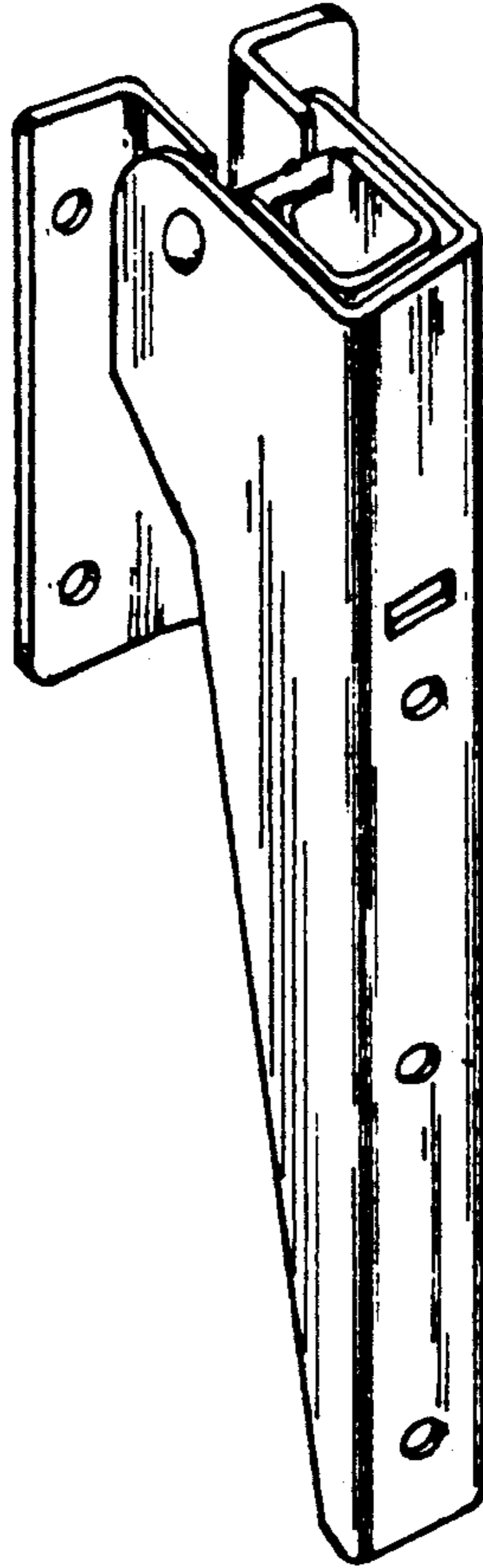


Fig 15

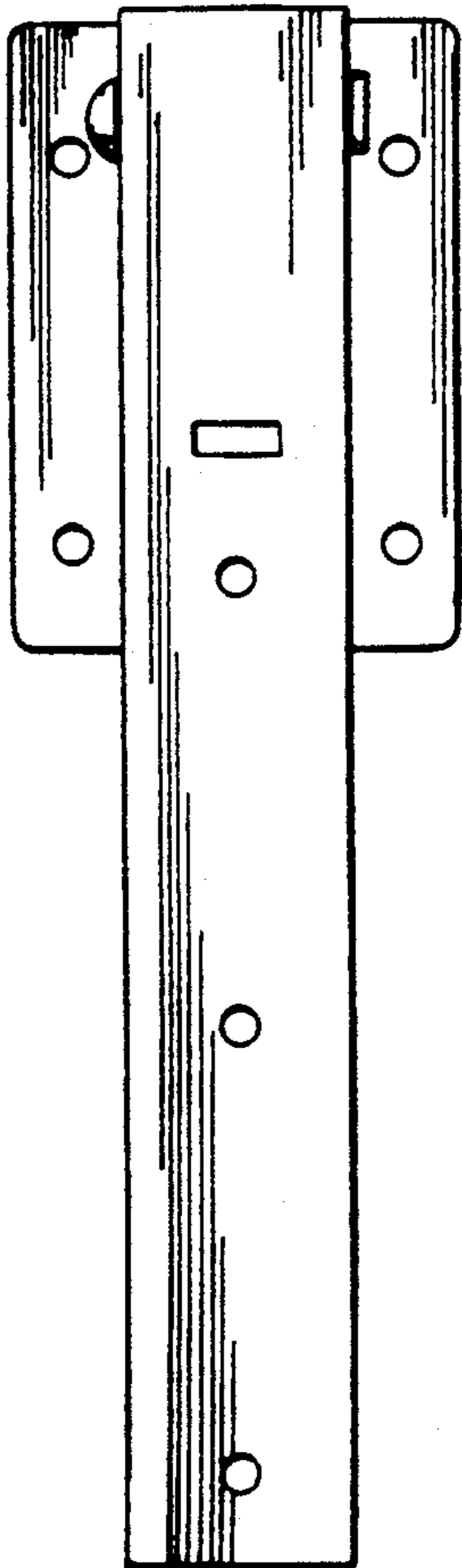


Fig 16

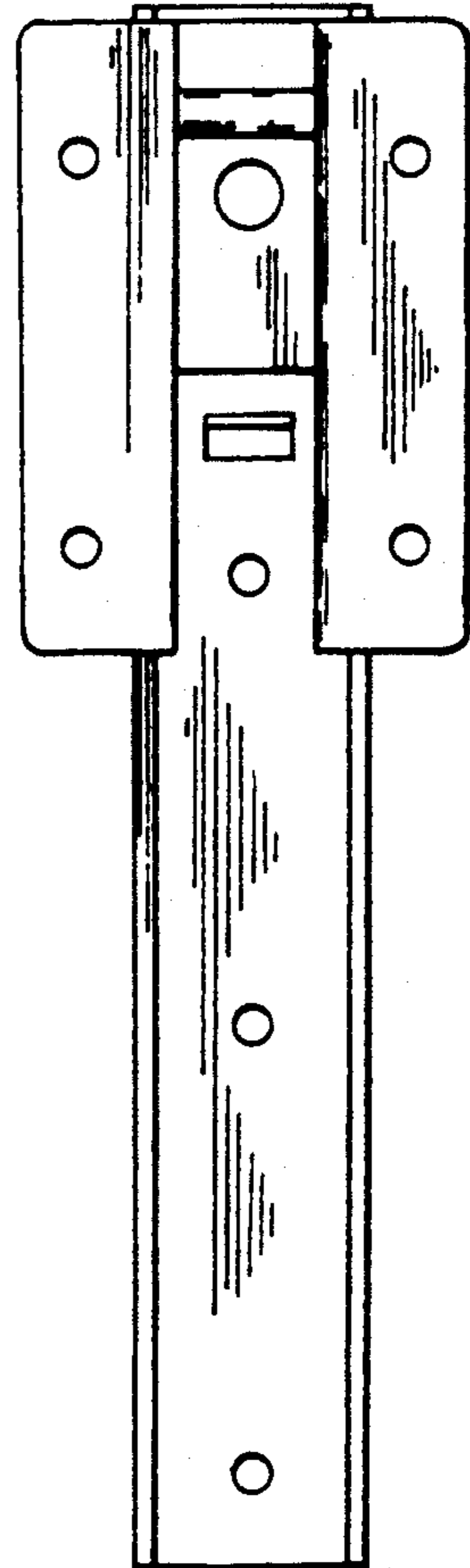


Fig 17

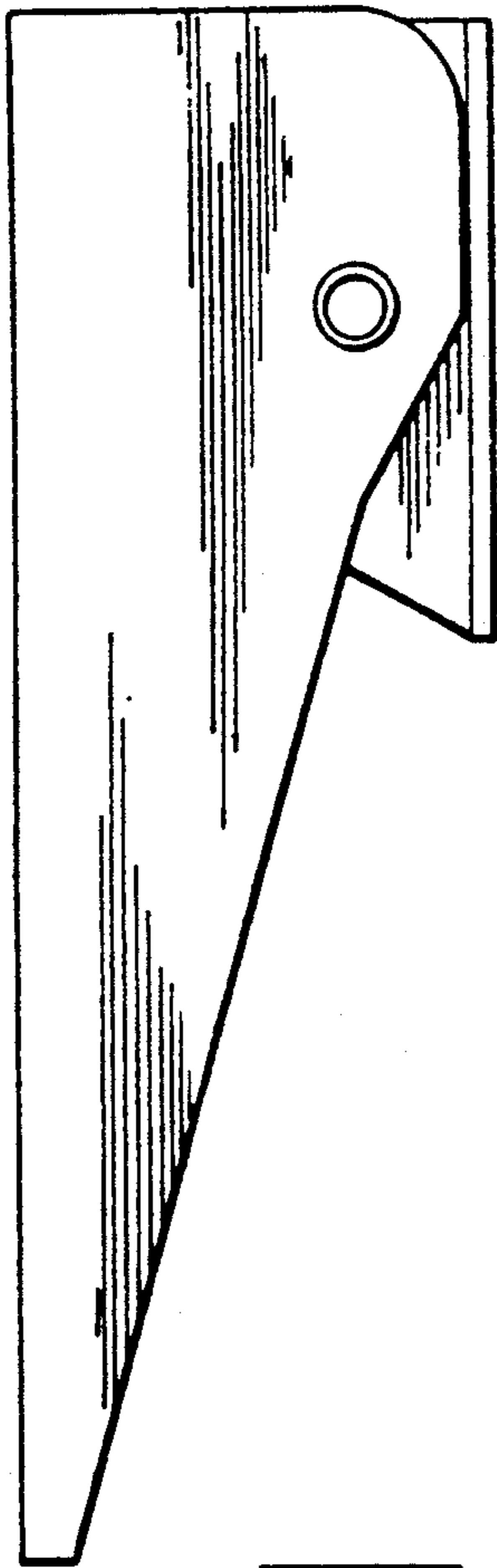


Fig 18

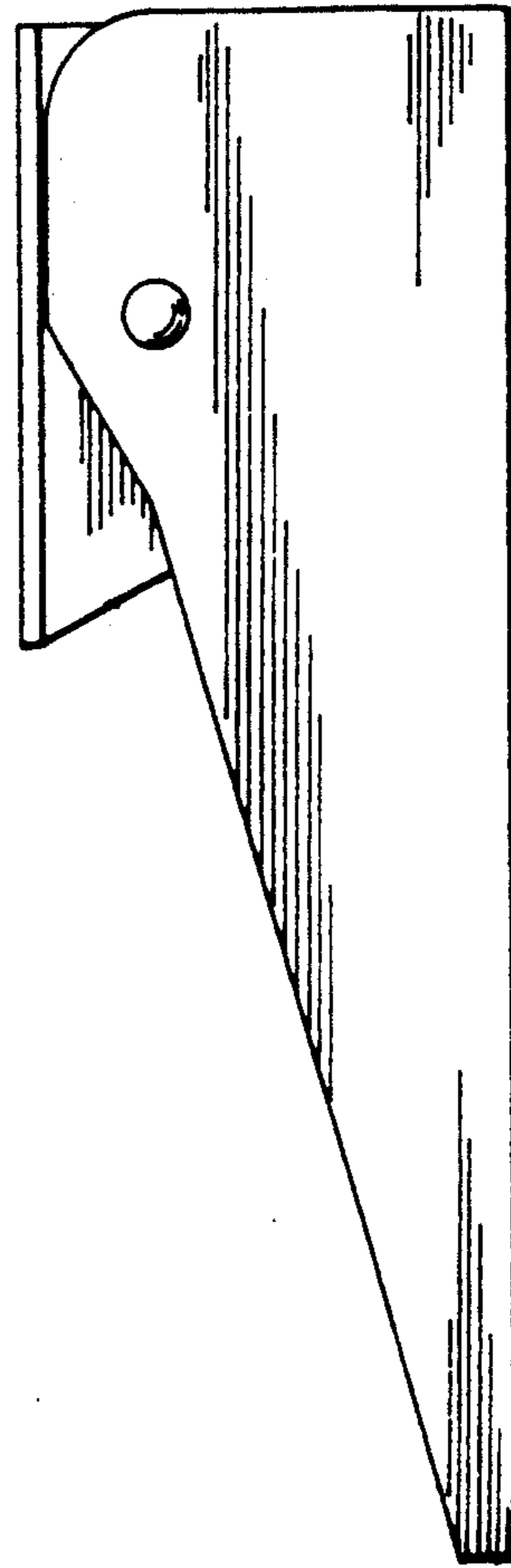


Fig 19

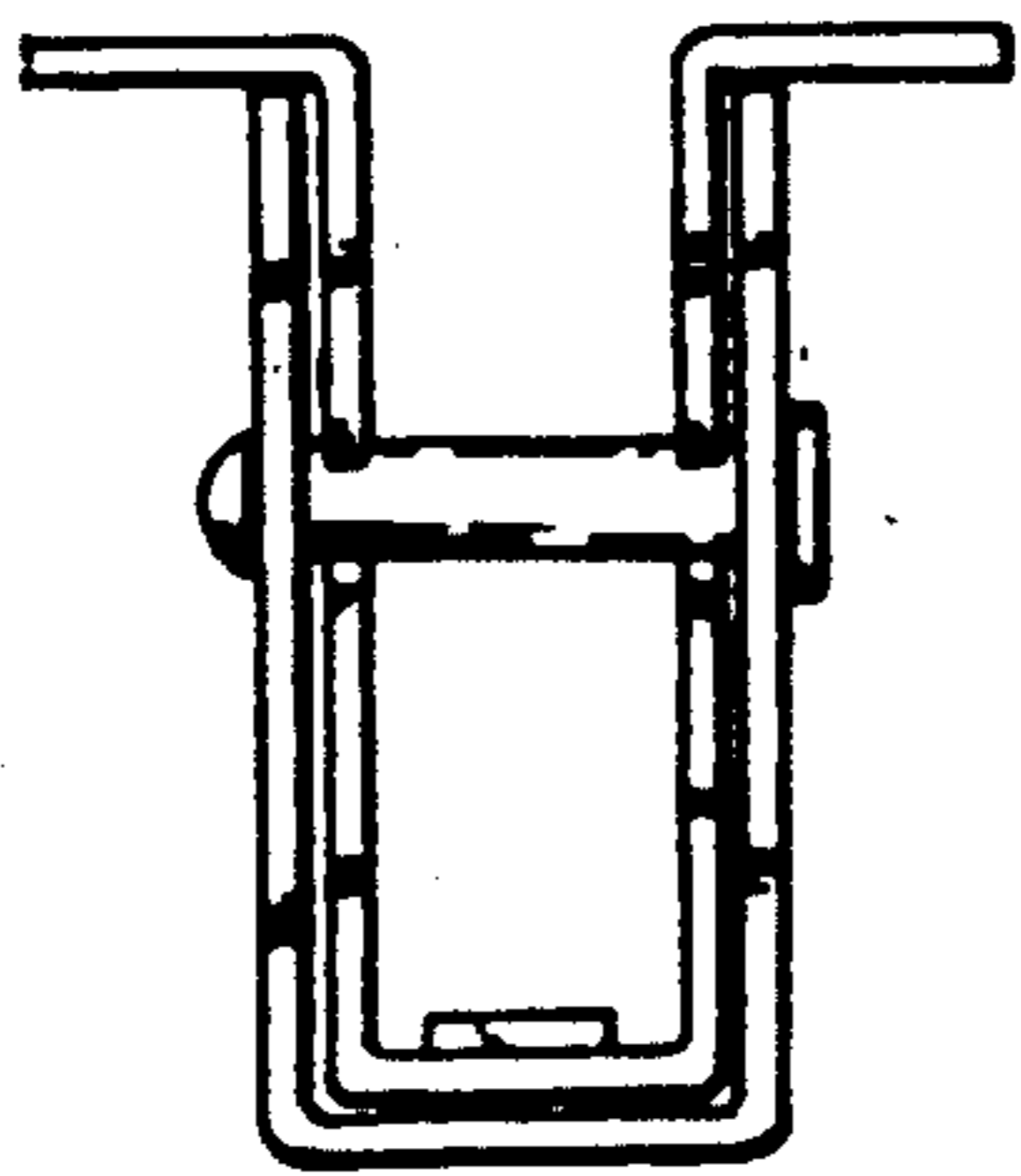


Fig 20

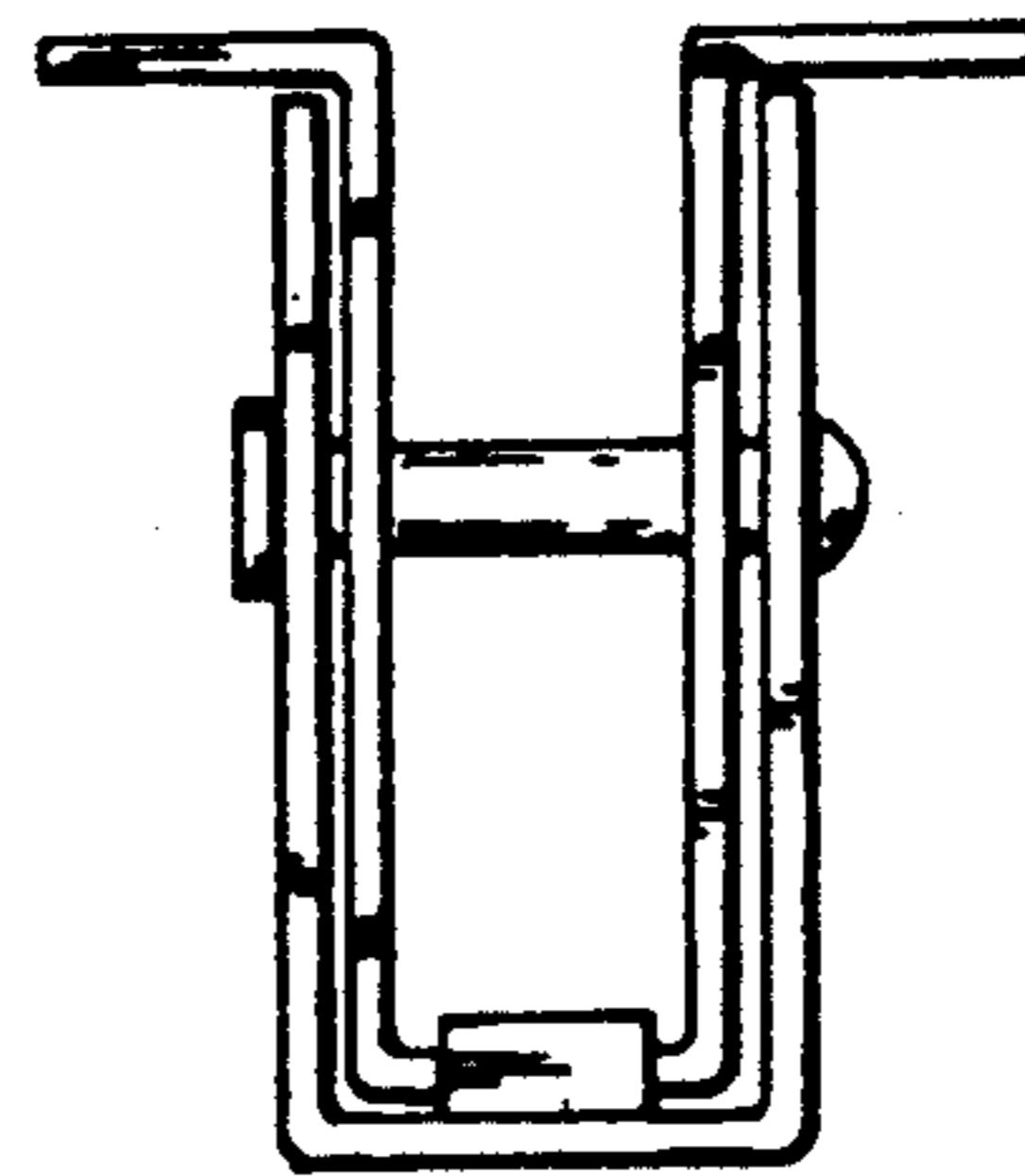


Fig 21