



US00D331871S

United States Patent [19]

[11] Patent Number: **Des. 331,871**

Burke

[45] Date of Patent: **** Dec. 22, 1992**

[54] **SEAT BELT HEIGHT ADJUSTER**

[76] Inventor: **Timothy W. C. Burke**, VF-124 AME Shop NAS Miramar, San Diego, Calif. 92145

[**] Term: **14 Years**

[21] Appl. No.: **528,453**

[22] Filed: **May 25, 1990**

[52] U.S. Cl. **D8/355**

[58] Field of Search **D8/355, 356, 396; 24/130, 129 B; 248/459**

Grammes, Oct. 1942 p. 56 middle right.
Grammes, Oct. 1942 p. 29 top right.
Seastrom Manufacturing Company Inc., Apr. 1981 bottom right.
Grammes 1941 p. 37, bottom middle.
Chartpak Product Update 1983 p. 219 middle right.

Primary Examiner—A. Hugo Word
Assistant Examiner—Paula A. Mortimer
Attorney, Agent, or Firm—Leon Gilden

[57] **CLAIM**

The ornamental design for a seat belt height adjuster, as shown and described.

[56] **References Cited**

U.S. PATENT DOCUMENTS

- D. 270,517 9/1983 Raskin 24/130 X
- D. 289,008 3/1987 Hamel D8/356
- 4,002,237 1/1977 Nichols 248/459 X

OTHER PUBLICATIONS

Hong Kong Enterprise, Jan. 1986 p. 54 top middle.

DESCRIPTION

FIG. 1 is a front elevational view of the seat belt height adjuster showing my new design;
FIG. 2 is a rear elevational view thereof;
FIG. 3 is a left side elevational view thereof;
FIG. 4 is a right side elevational view thereof;
FIG. 5 is a top plan view thereof; and,
FIG. 6 is a bottom plan view thereof.

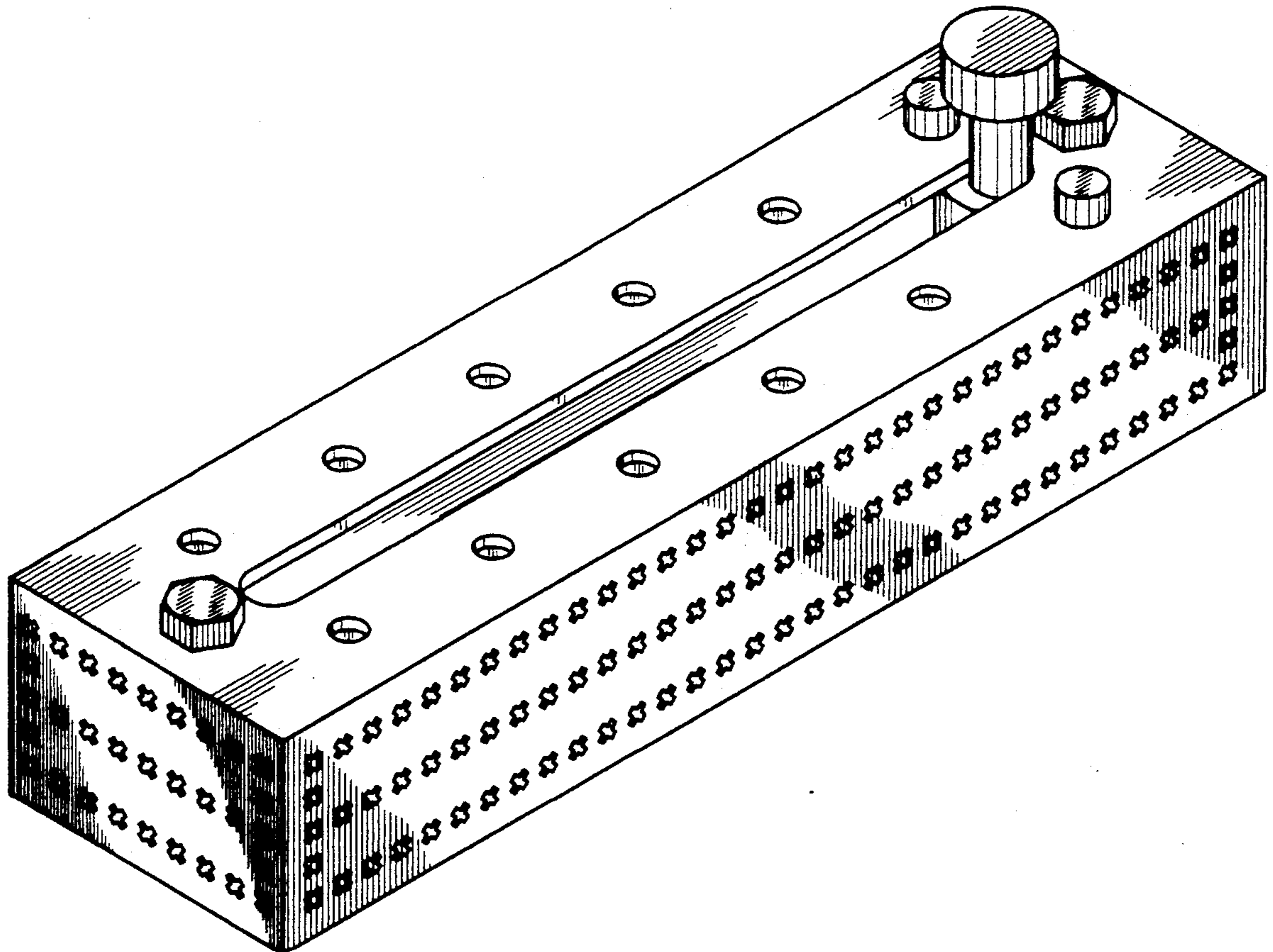


FIG. 1

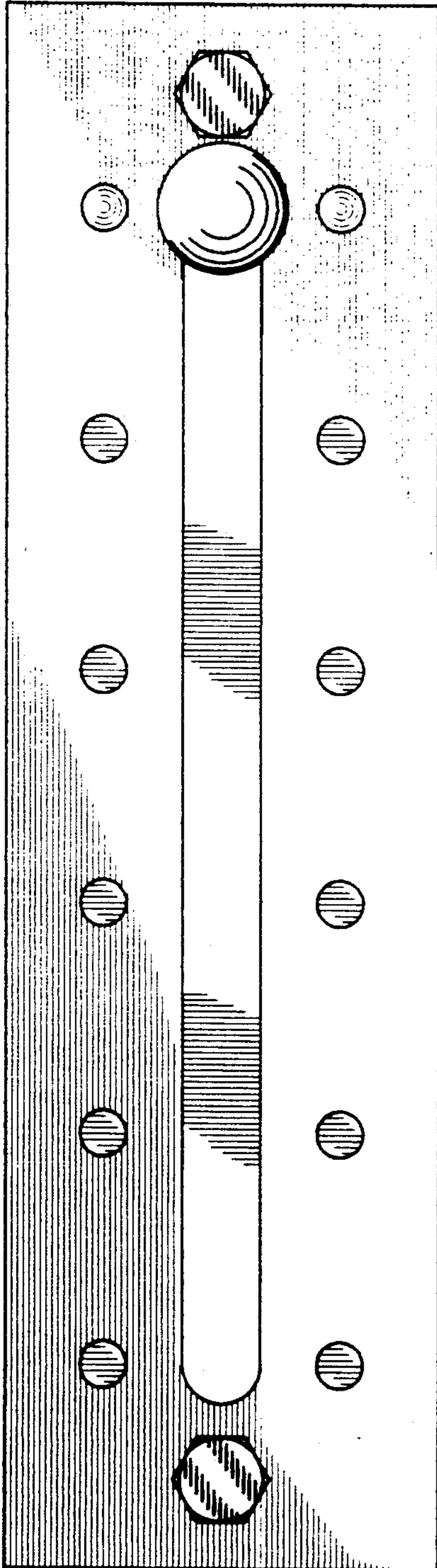


FIG. 2

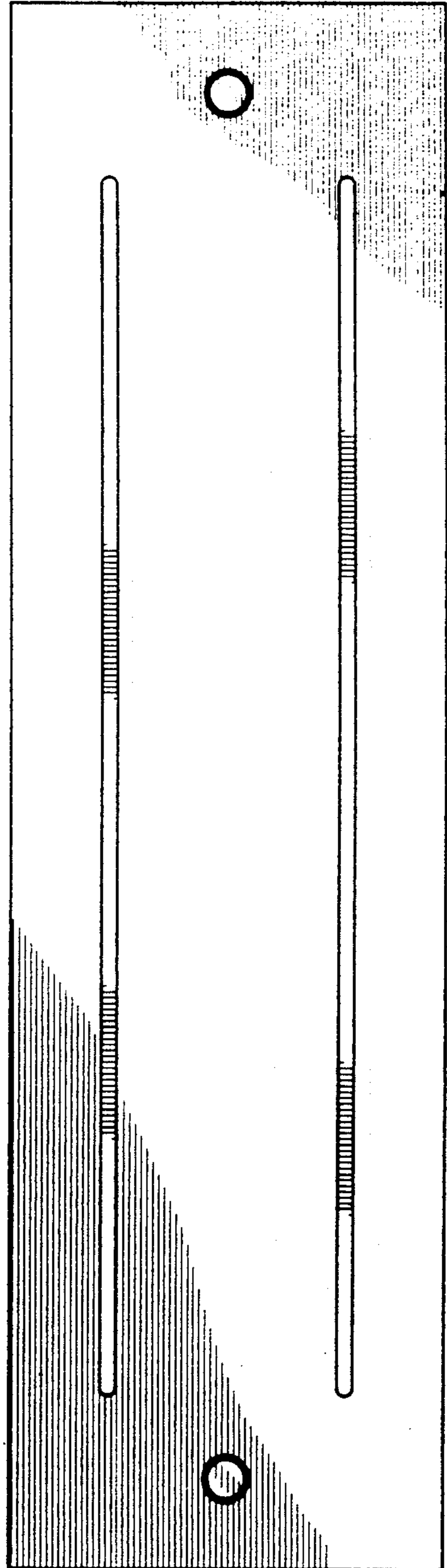


FIG. 3

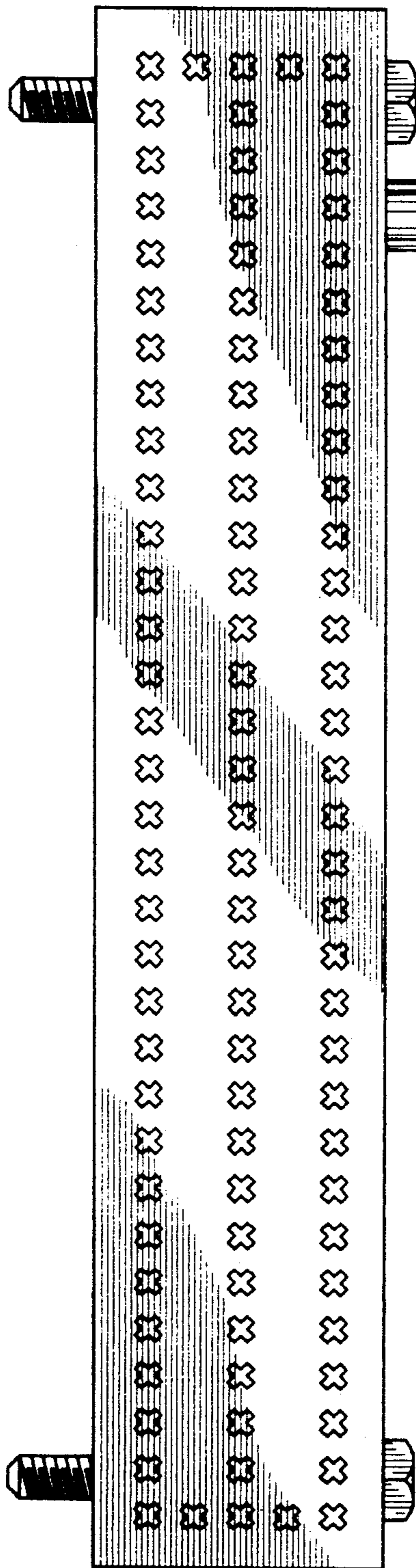


FIG. 4

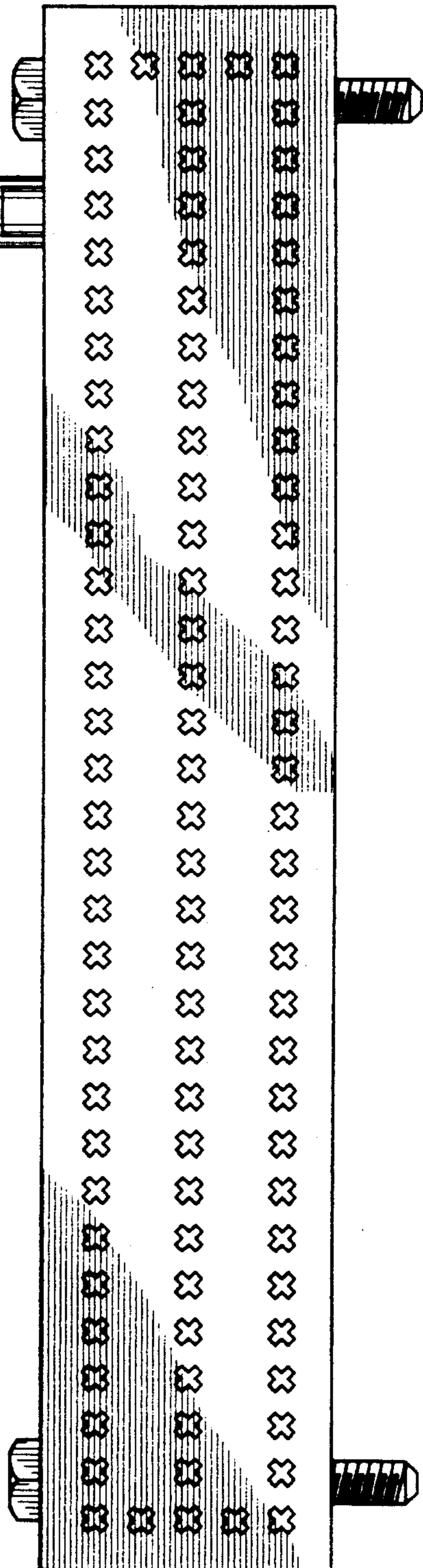


FIG. 5

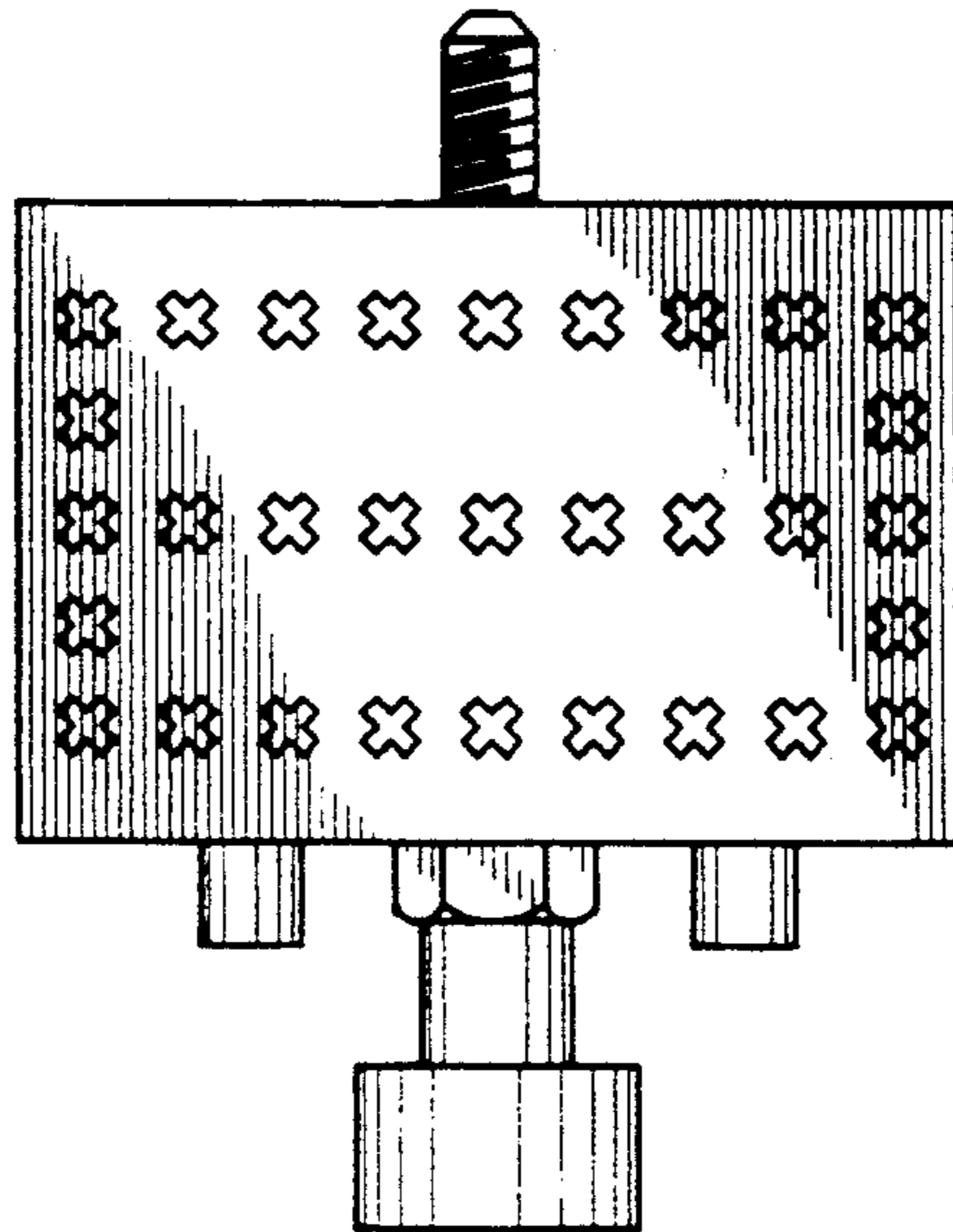


FIG. 6

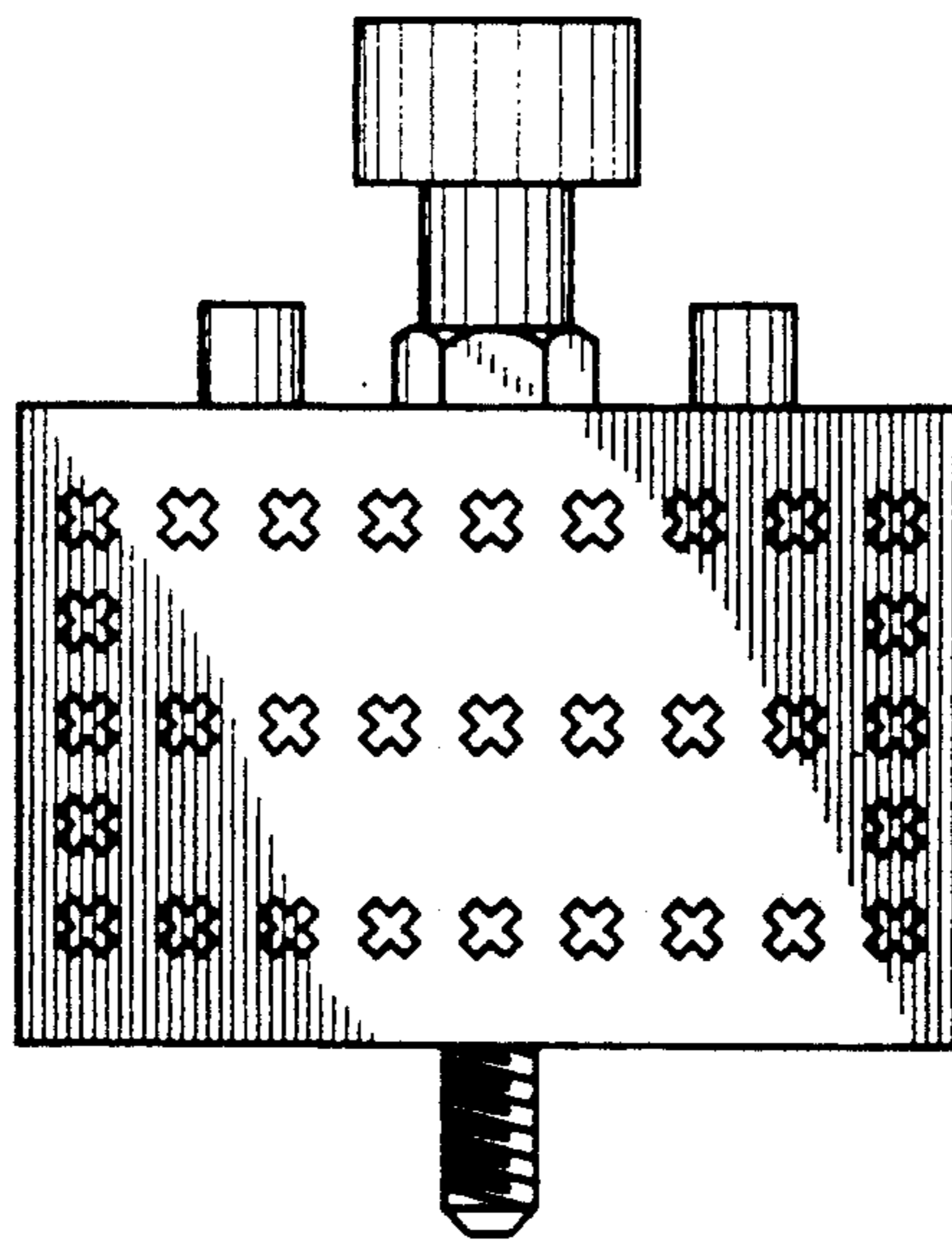


FIG. 7

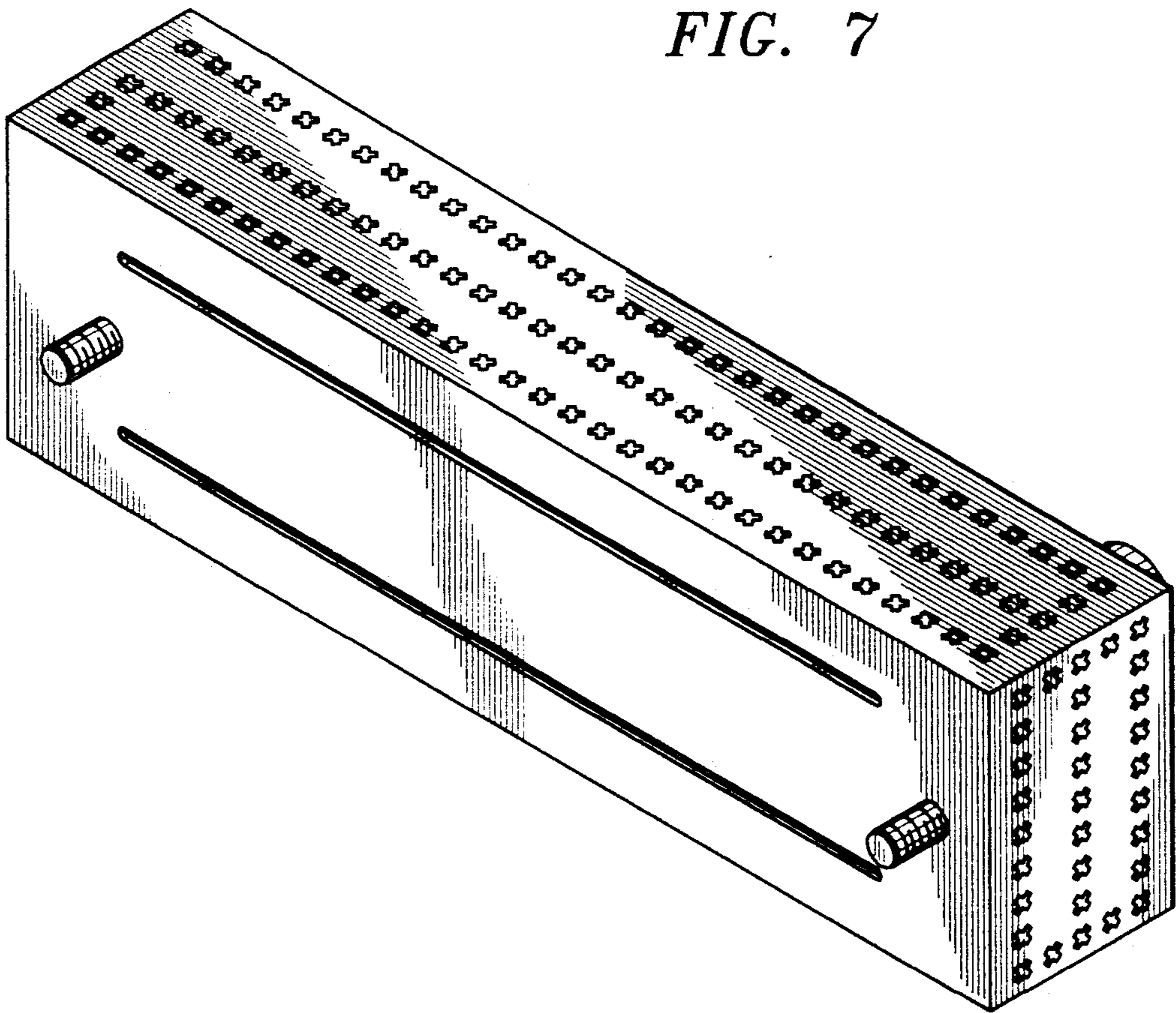


FIG. 8

