



US00D331868S

# United States Patent [19]

[11] Patent Number: **Des. 331,868**

Shioiri et al.

[45] Date of Patent: **\*\* Dec. 22, 1992**

## [54] FILM SPLICER

[75] Inventors: **Shigeo Shioiri, Chiba; Yuzo Otomine, Kanagawa, both of Japan**

[73] Assignee: **Somar Corporation, Tokyo, Japan**

[\*] Notice: The portion of the term of this patent subsequent to June 30, 2006, has been disclaimed.

[\*\*] Term: **14 Years**

[21] Appl. No.: **434,057**

[22] Filed: **Nov. 9, 1989**

### [30] Foreign Application Priority Data

May 12, 1989 [JP] Japan ..... 1-17433

[52] U.S. Cl. .... **D8/70.1; D16/250**

[58] Field of Search ..... **D16/246-250; D8/70.1; 156/502, 505, 506, 509**

### [56] References Cited

#### U.S. PATENT DOCUMENTS

D. 247,676	4/1978	Nakahata .....	D8/70.1
2,611,723	9/1952	Aboltin .....	156/509
3,290,201	12/1966	Torgensen .....	156/505
4,082,600	4/1978	Hanke .....	156/505

## OTHER PUBLICATIONS

Neumade Products Corp. catalog.

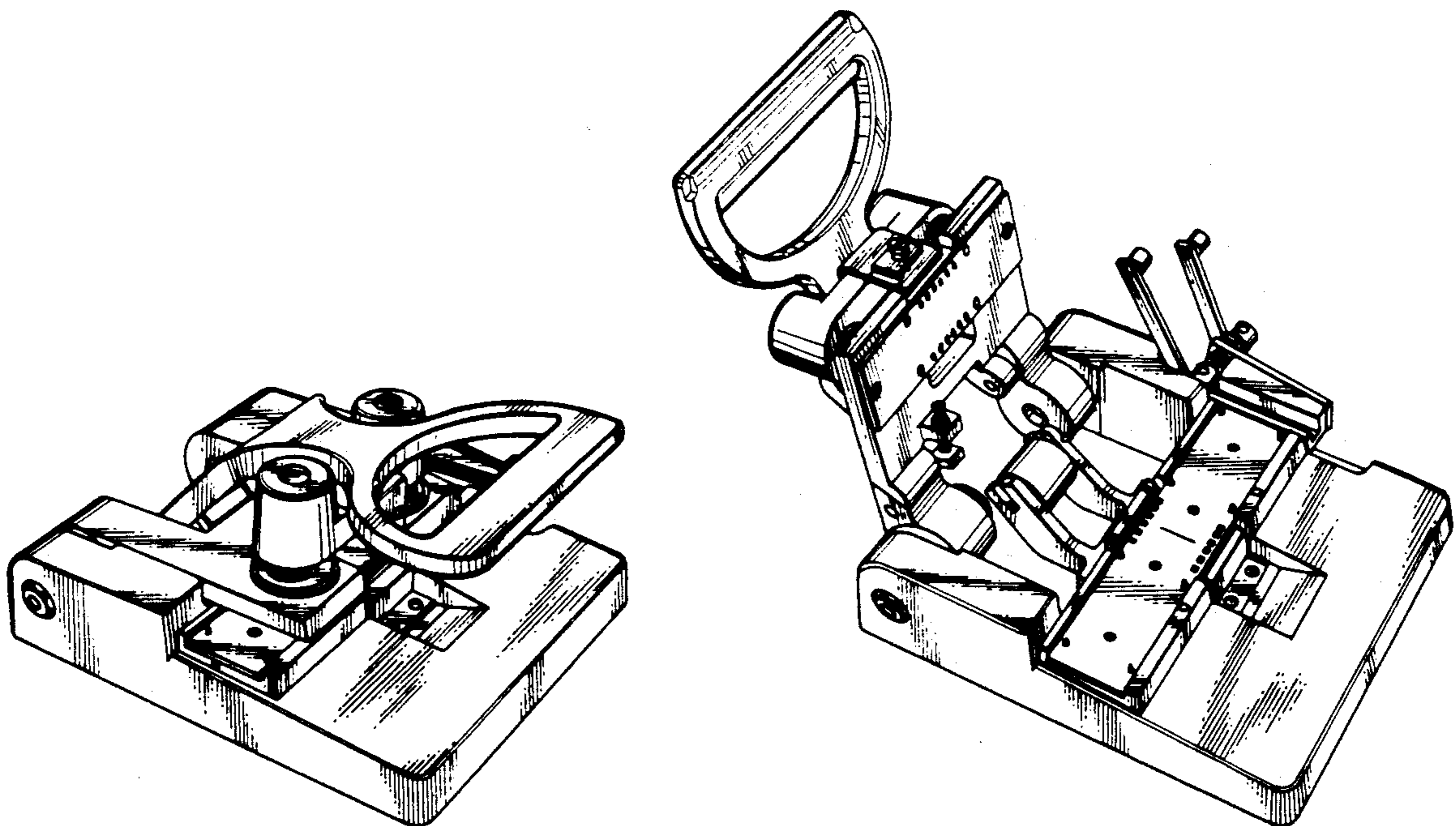
*Primary Examiner*—Bernard Ansher  
*Assistant Examiner*—Adir Aronovich  
*Attorney, Agent, or Firm*—Sughrue, Mion, Zinn, Macpeak & Seas

## [57] CLAIM

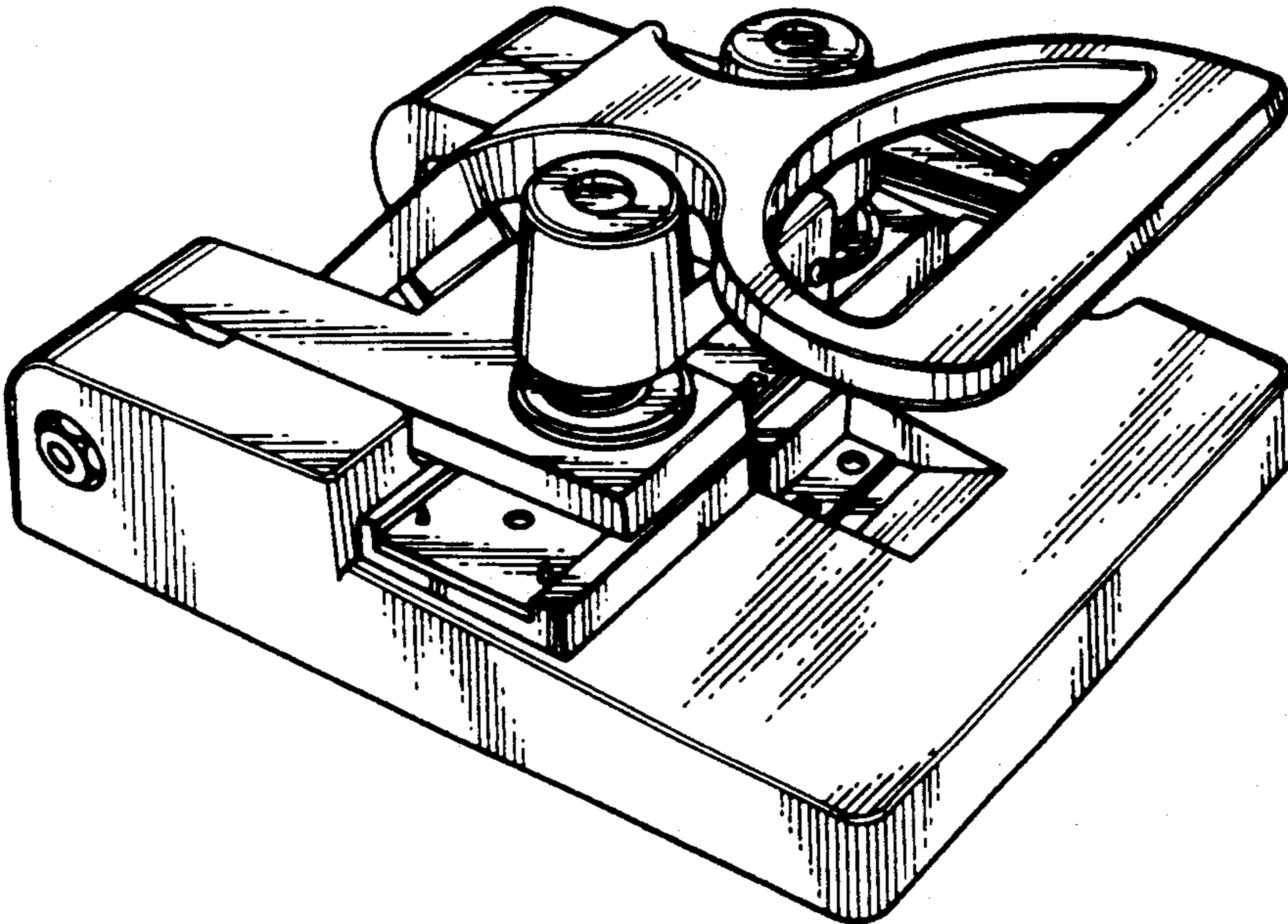
The ornamental design for a film splicer, as shown and described.

## DESCRIPTION

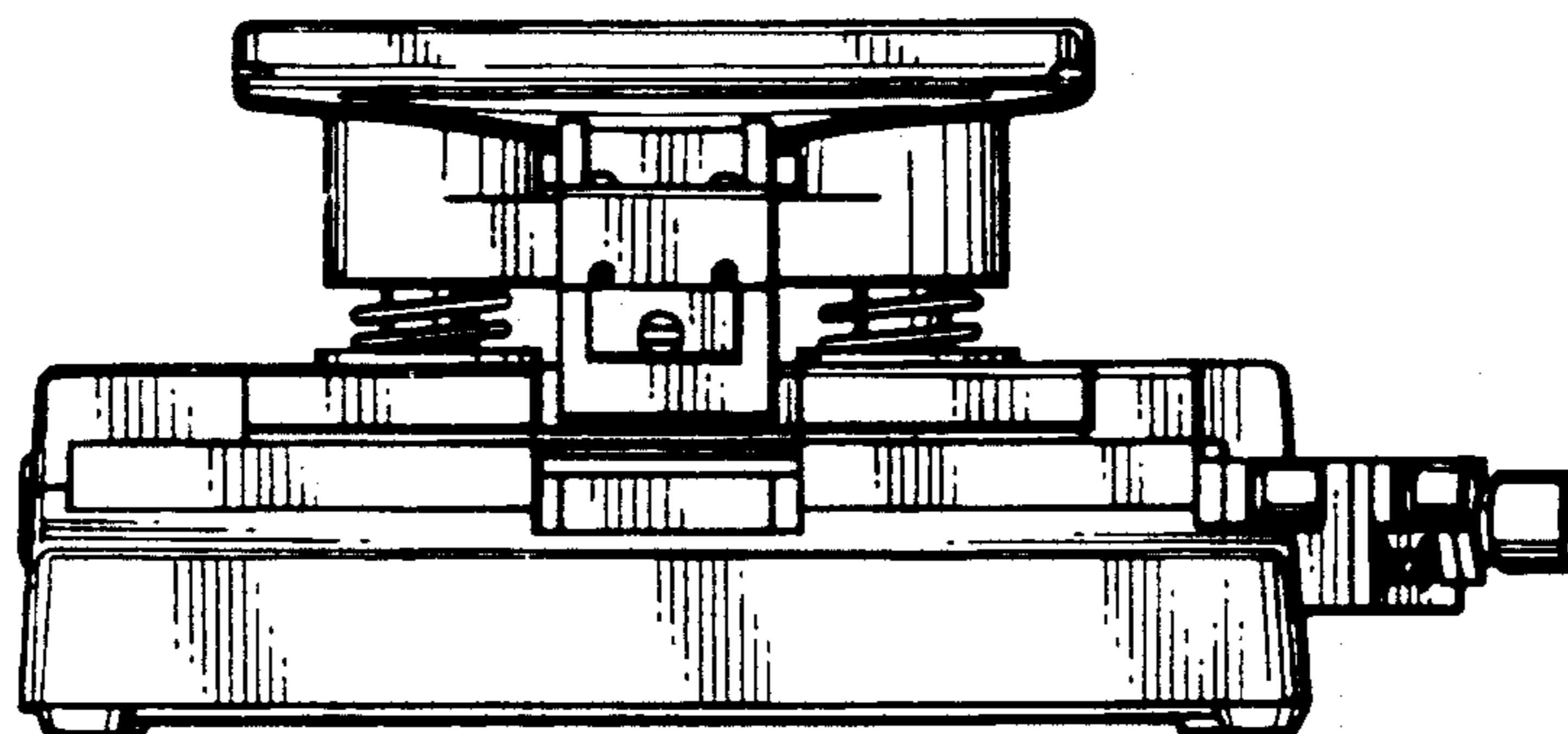
FIG. 1 is a front, top and left side perspective view of a film splicer showing our new design, in closed, film splicing condition;  
FIG. 2 is a front elevational view thereof;  
FIG. 3 is a top plan view thereof;  
FIG. 4 is a rear elevational view thereof;  
FIG. 5 is a bottom plan view thereof;  
FIG. 6 is a right side elevational view thereof;  
FIG. 7 is a left side elevational view thereof; and,  
FIG. 8 is a perspective view thereof in open condition.



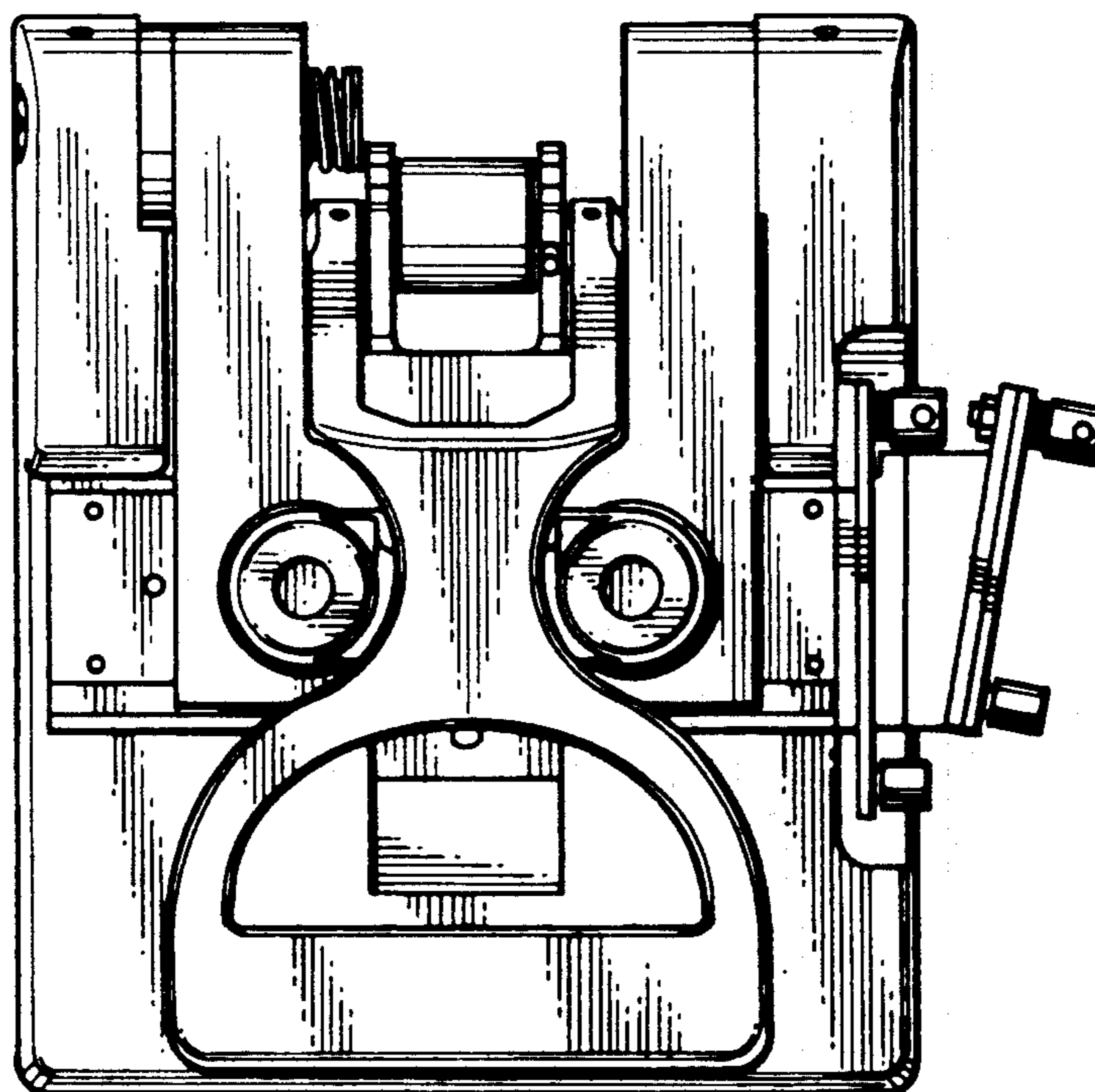
*Fig. 1*



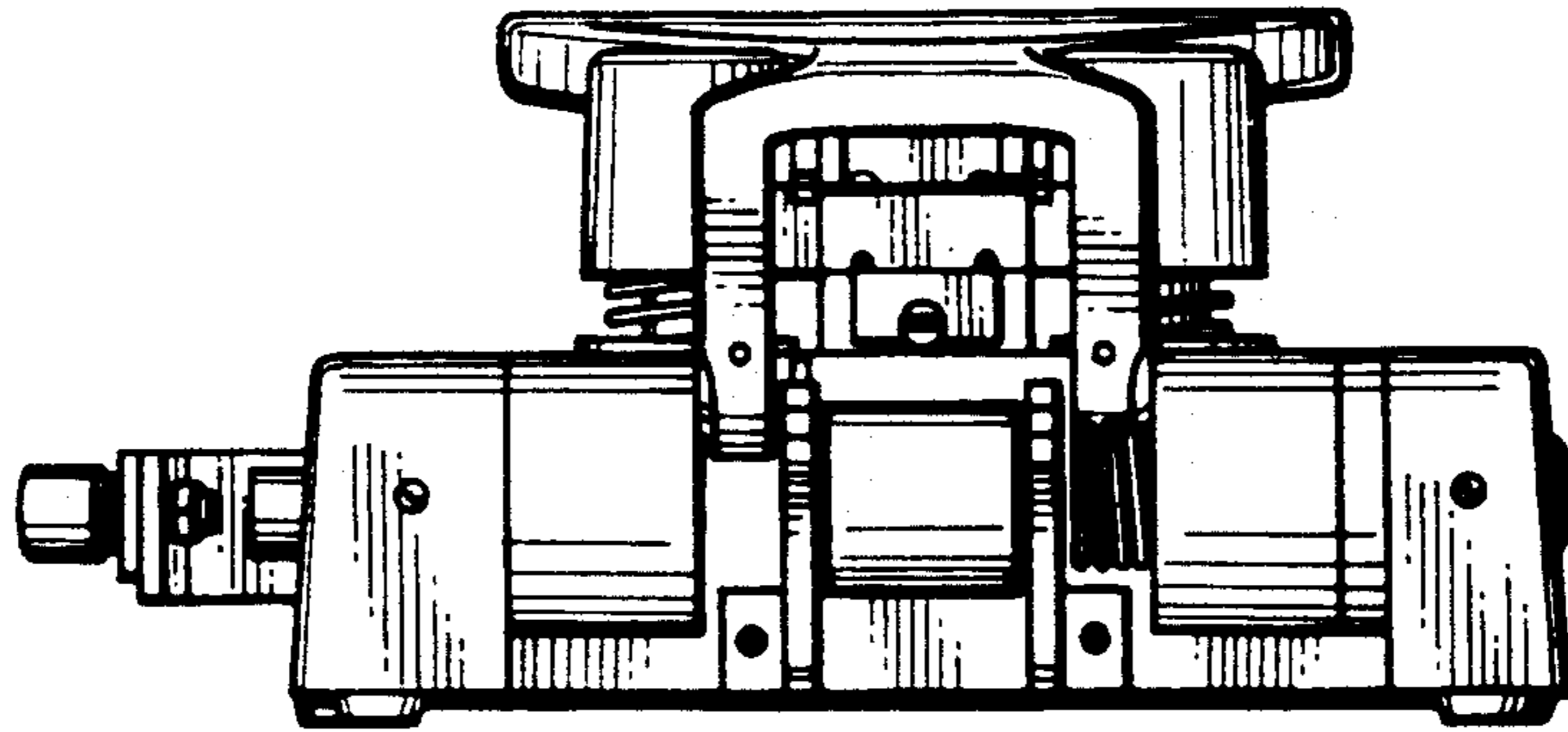
*Fig.2*



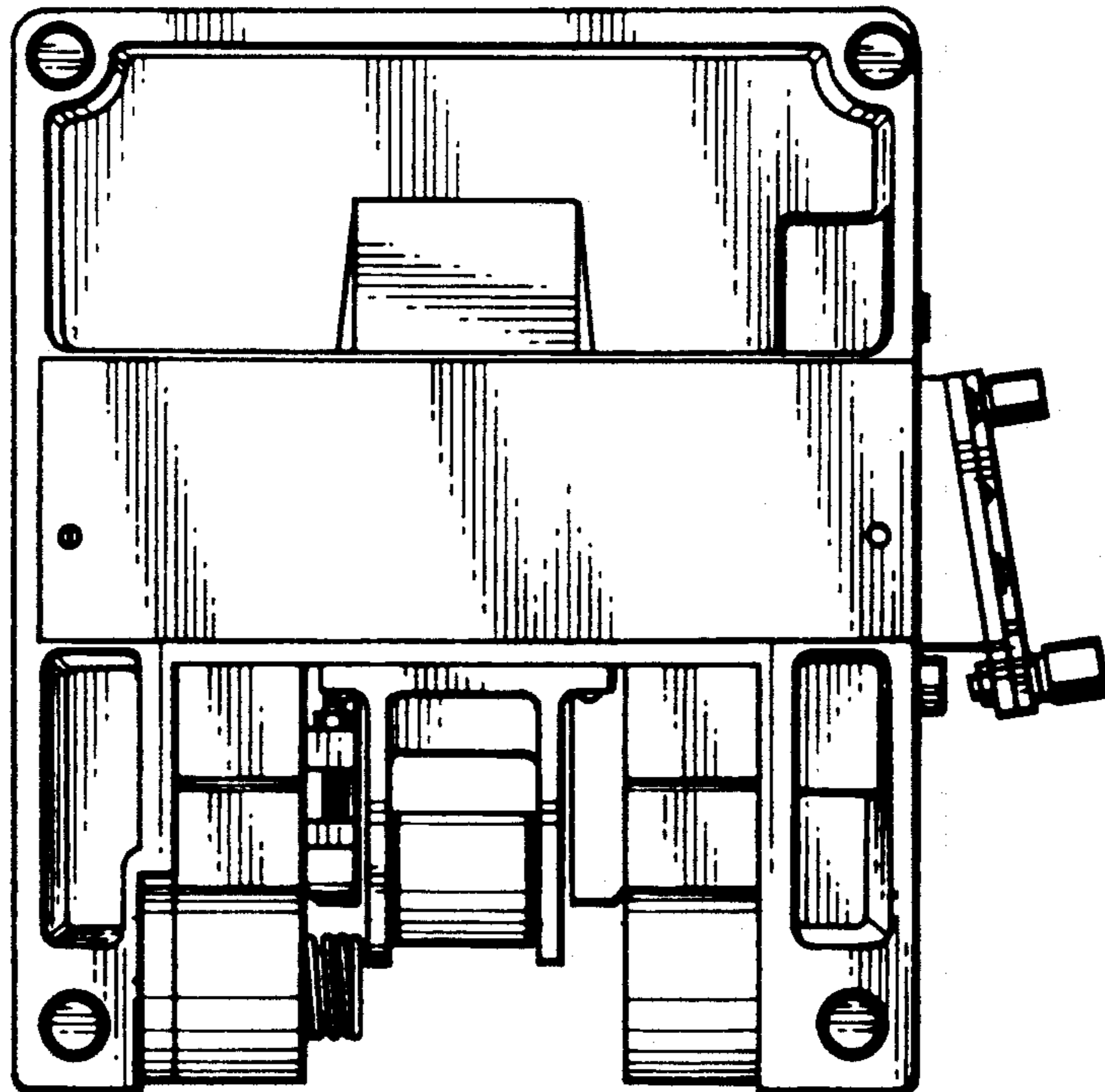
*Fig.3*



*Fig. 4*

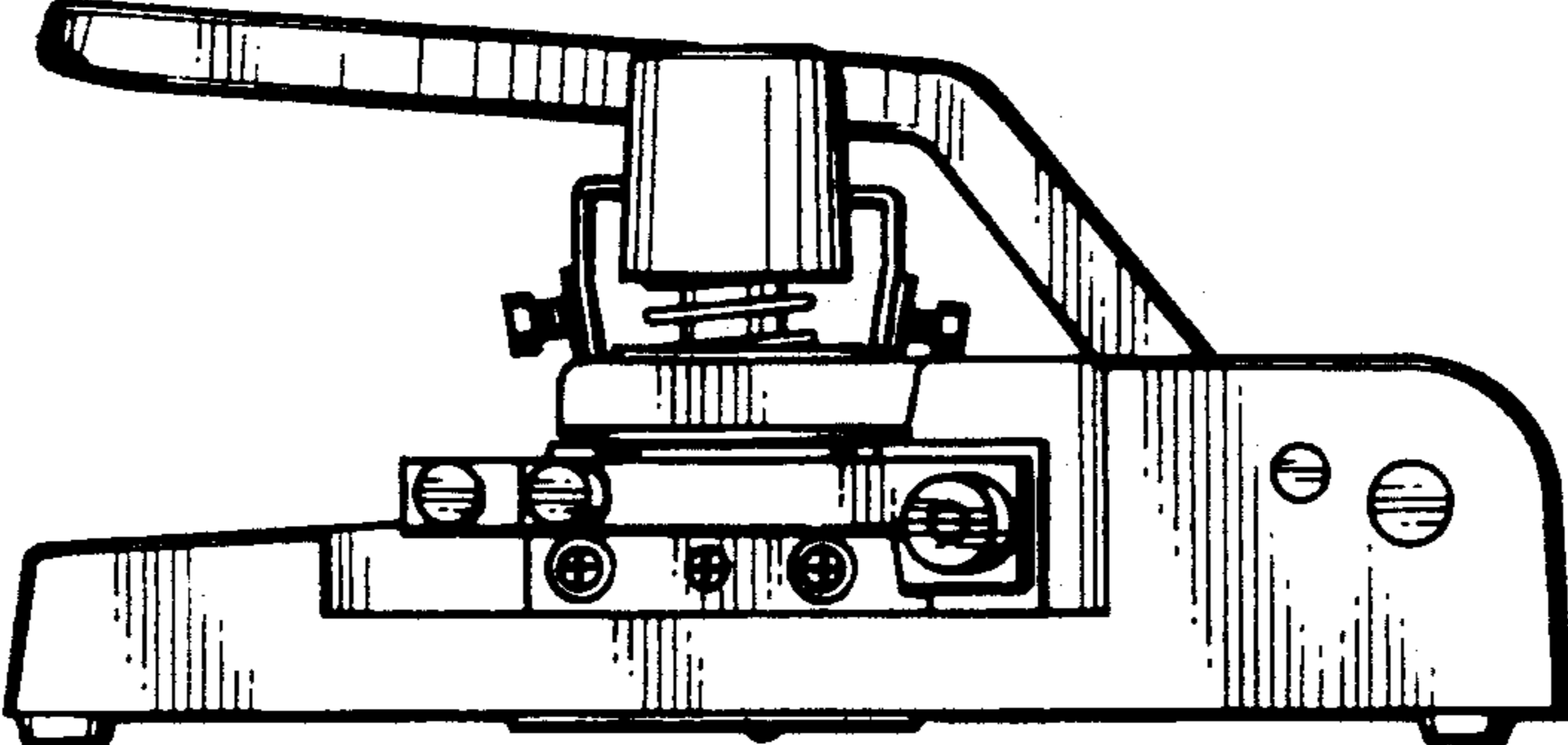


*Fig. 5*

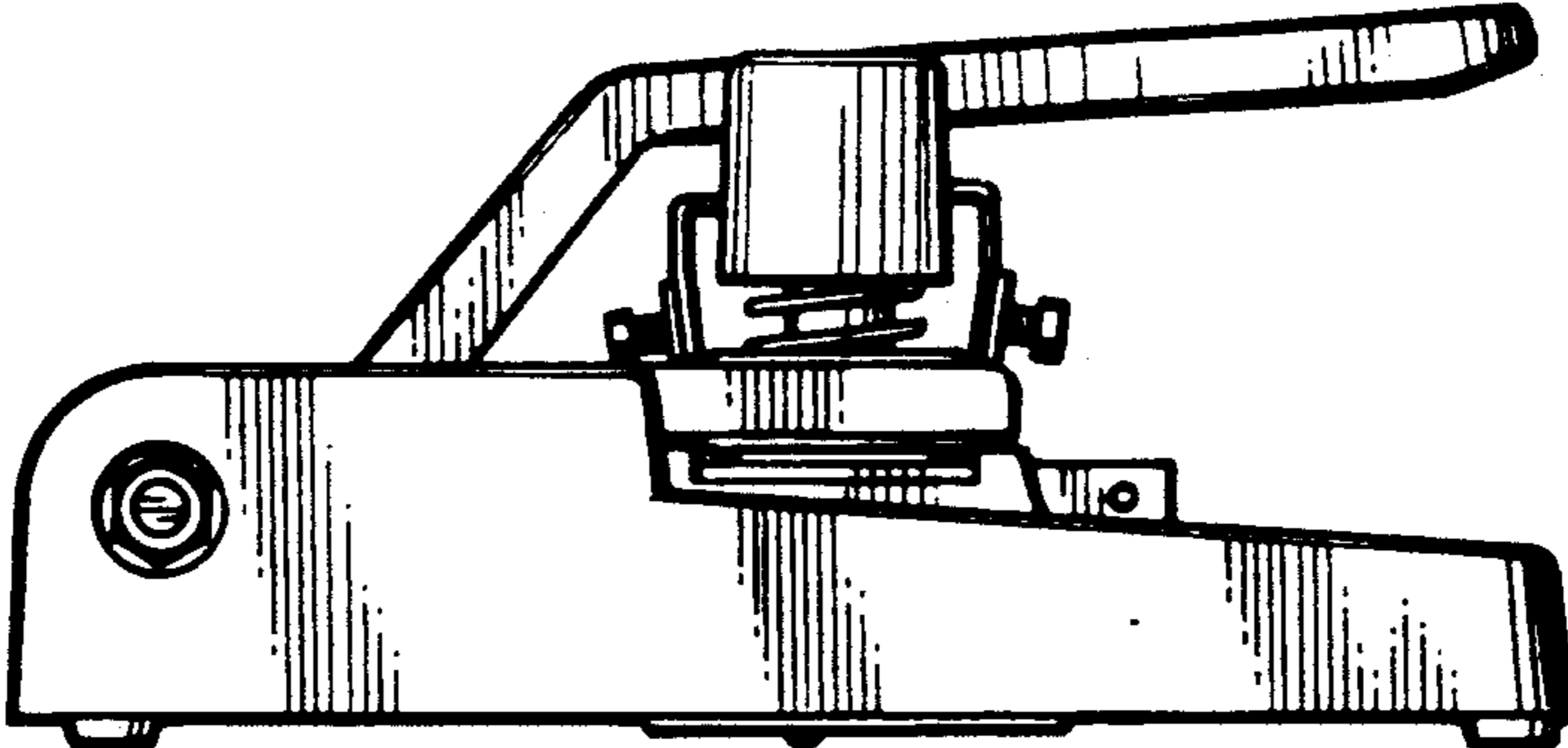




*Fig. 6*



*Fig. 7*



*Fig. 8*

