



US00D331859S

# United States Patent [19]

[11] Patent Number: **Des. 331,859**

**Kahl**

[45] Date of Patent: **\*\* Dec. 22, 1992**

[54] HANDLE

[75] Inventor: **W. Henry Kahl, Wooster, Ohio**

[73] Assignee: **Rubbermaid Incorporated, Wooster, Ohio**

[\*\*] Term: **14 Years**

[21] Appl. No.: **385,113**

[22] Filed: **Jul. 25, 1989**

[52] U.S. Cl. .... **D7/393**

[58] Field of Search ..... **D7/360, 393, 605; D8/DIG. 1, DIG. 10; 220/94 R; 16/110 R, 114 R, DIG. 19; 30/85**

[56] **References Cited**

**U.S. PATENT DOCUMENTS**

D. 167,561	8/1952	Dailey et al. ....	D8/DIG. 1 X
D. 197,814	3/1964	Piker .....	D7/605
D. 259,760	7/1981	Lucas et al. ....	D7/605
3,606,511	9/1971	Henning et al. ....	312/266
3,791,547	2/1974	Branscum .....	D7/605 X
4,095,711	6/1978	Conley .....	220/94 R
4,691,840	9/1987	Ferbrache .....	220/318

**OTHER PUBLICATIONS**

Catalog Page, Rubbermaid Incorporated, 1147 Akron Road, Wooster, Ohio 44691, Publication Date 1988.  
P.10, Dupol-Rubbermaid GmbH, an Der Trift 63, D-6072 Dreieich, West Germany, Publication Date 1988.

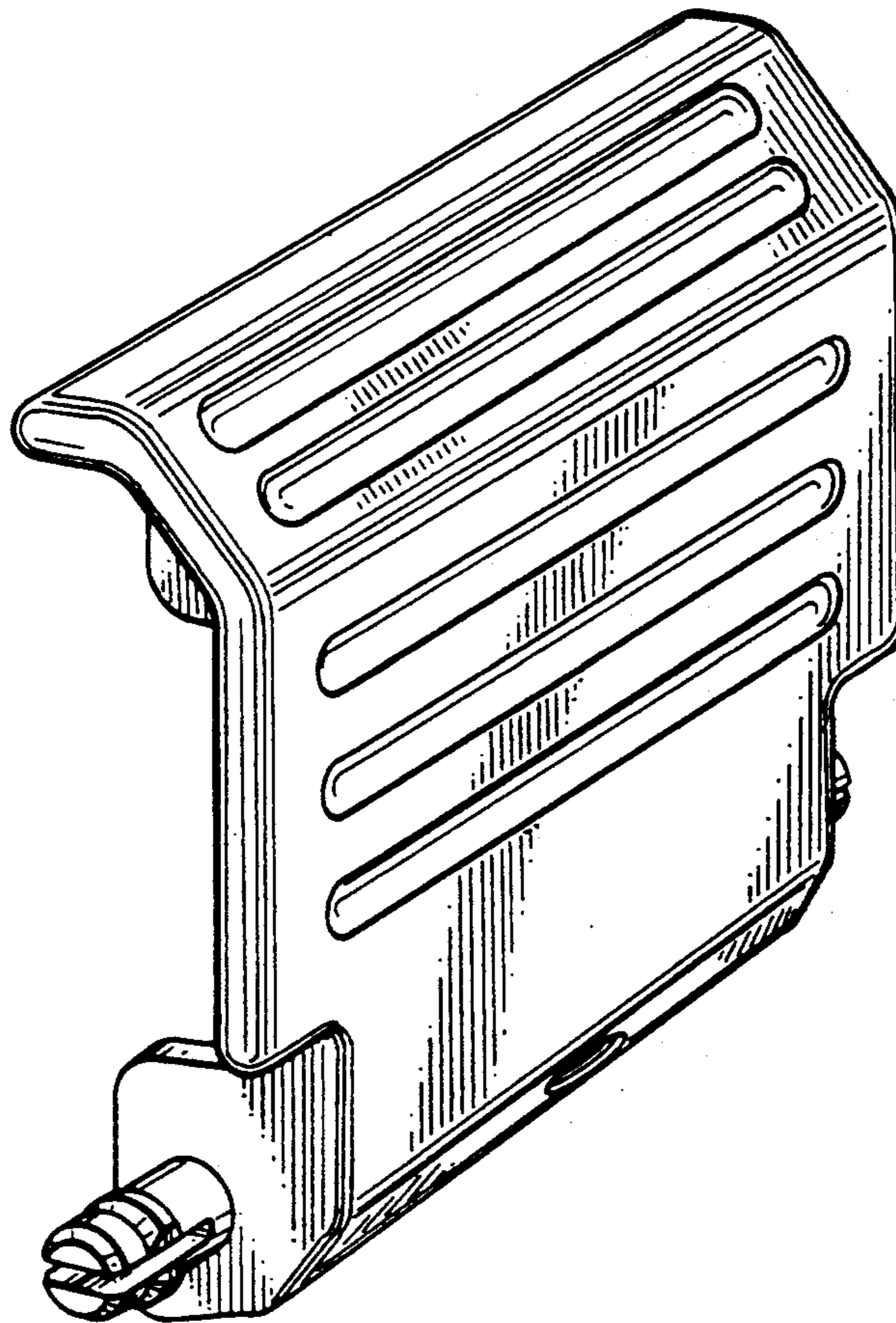
*Primary Examiner*—Alan P. Douglas  
*Assistant Examiner*—Caron D. Veynar  
*Attorney, Agent, or Firm*—Richard B. O'Planick

[57] **CLAIM**

The ornamental design for a handle, as shown and described.

**DESCRIPTION**

FIG. 1 is a front perspective view of a handle showing my new design;  
FIG. 2 is a bottom plan view thereof;  
FIG. 3 is a top plan view thereof;  
FIG. 4 is a front elevational view thereof;  
FIG. 5 is a right side elevational view; the left side elevational view being a mirror image thereof;  
FIG. 6 is a rear elevational view thereof;  
FIG. 7 is a cross sectional view taken along line 7—7 of FIG. 6; and,  
FIG. 8 is a rear perspective view thereof.



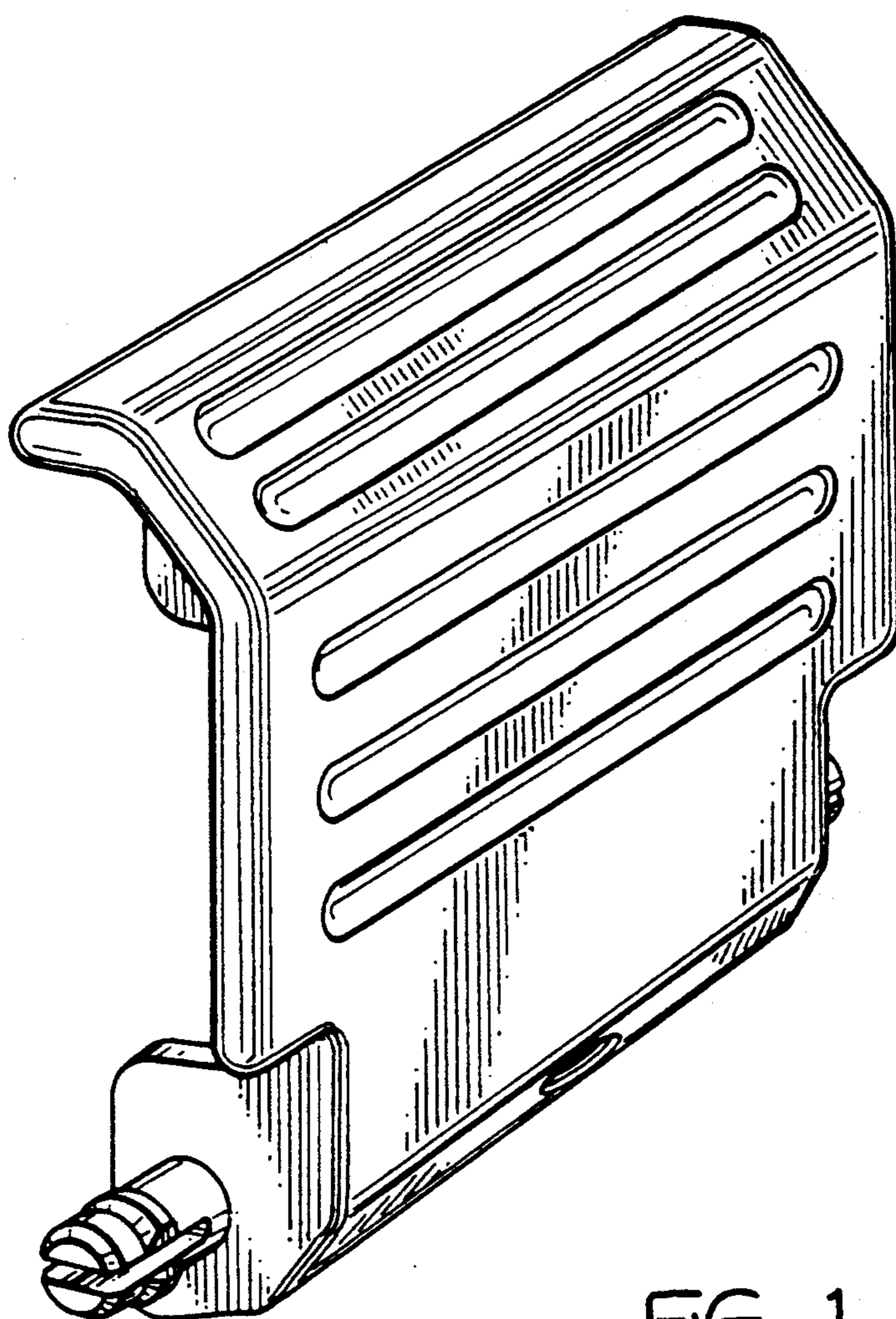


FIG. 1

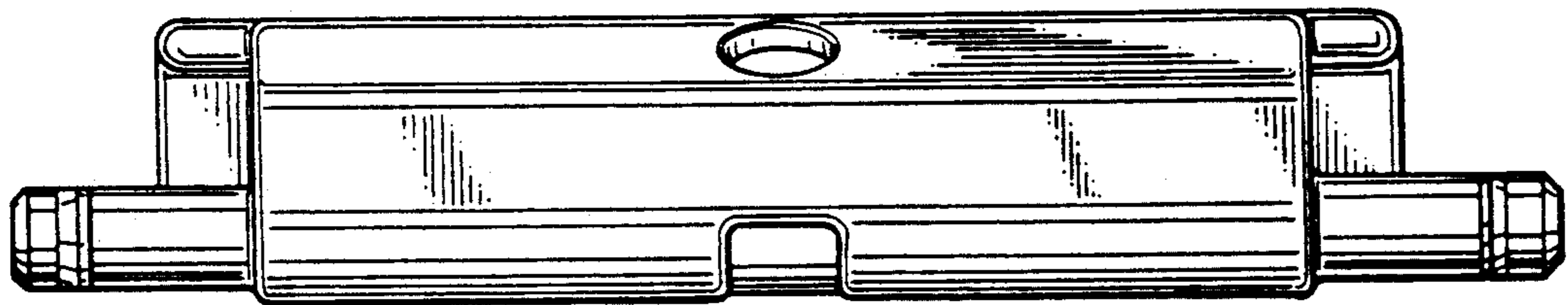


FIG. 2



FIG. 3

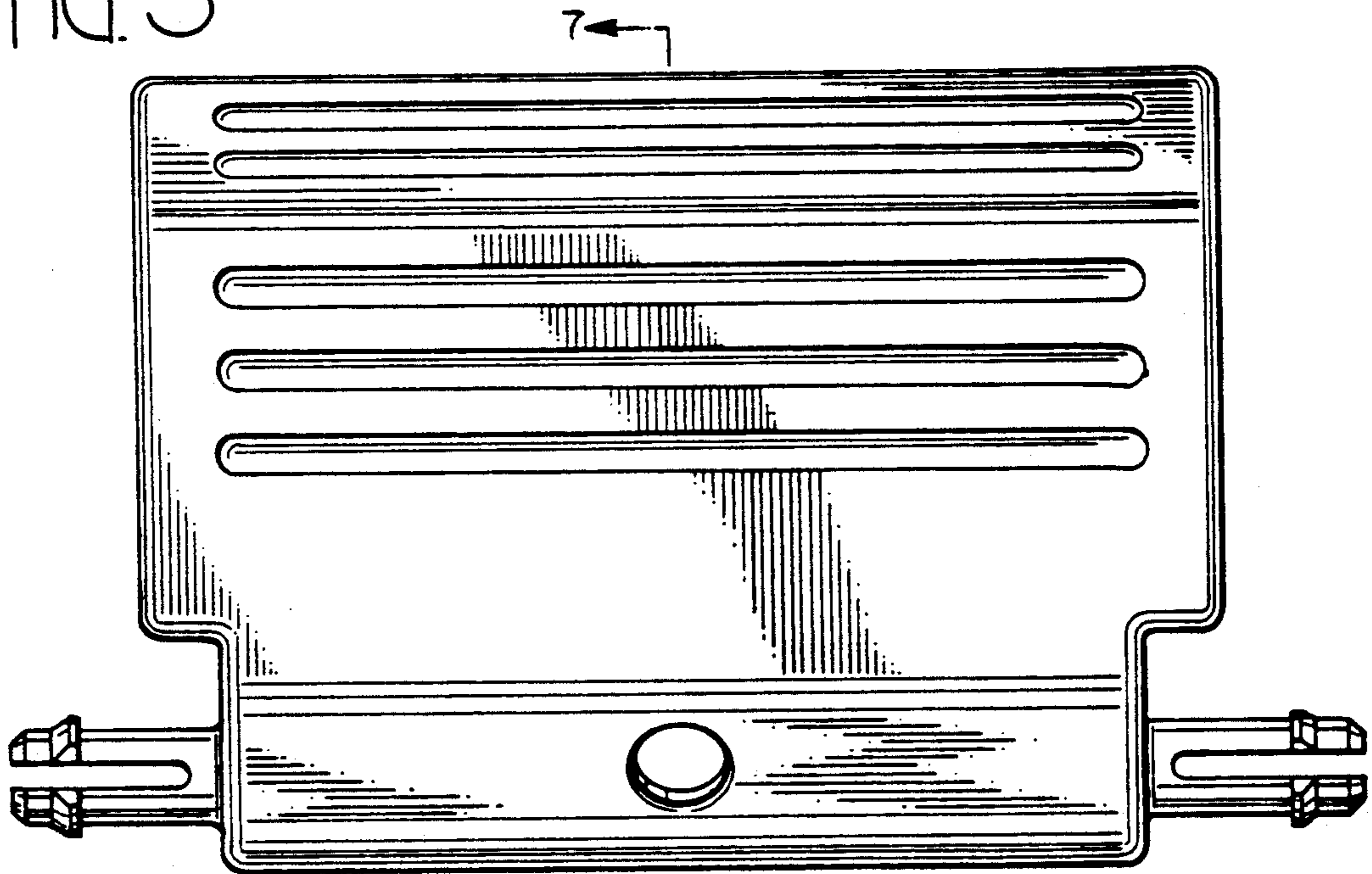


FIG. 4

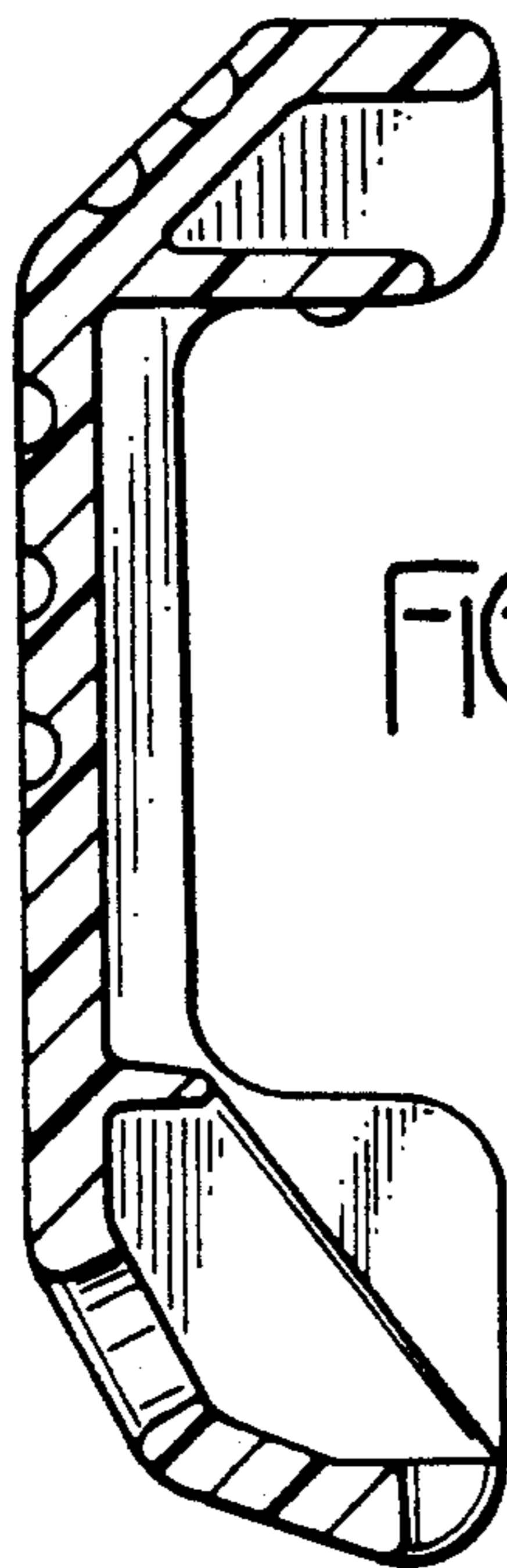


FIG. 7

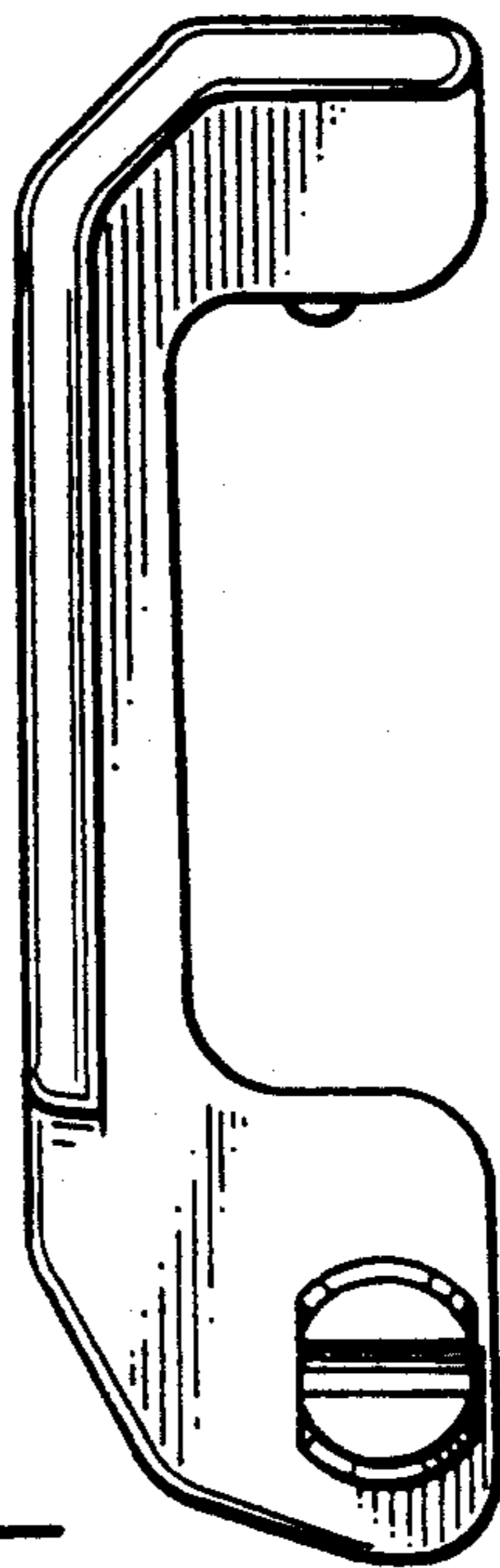


FIG. 5

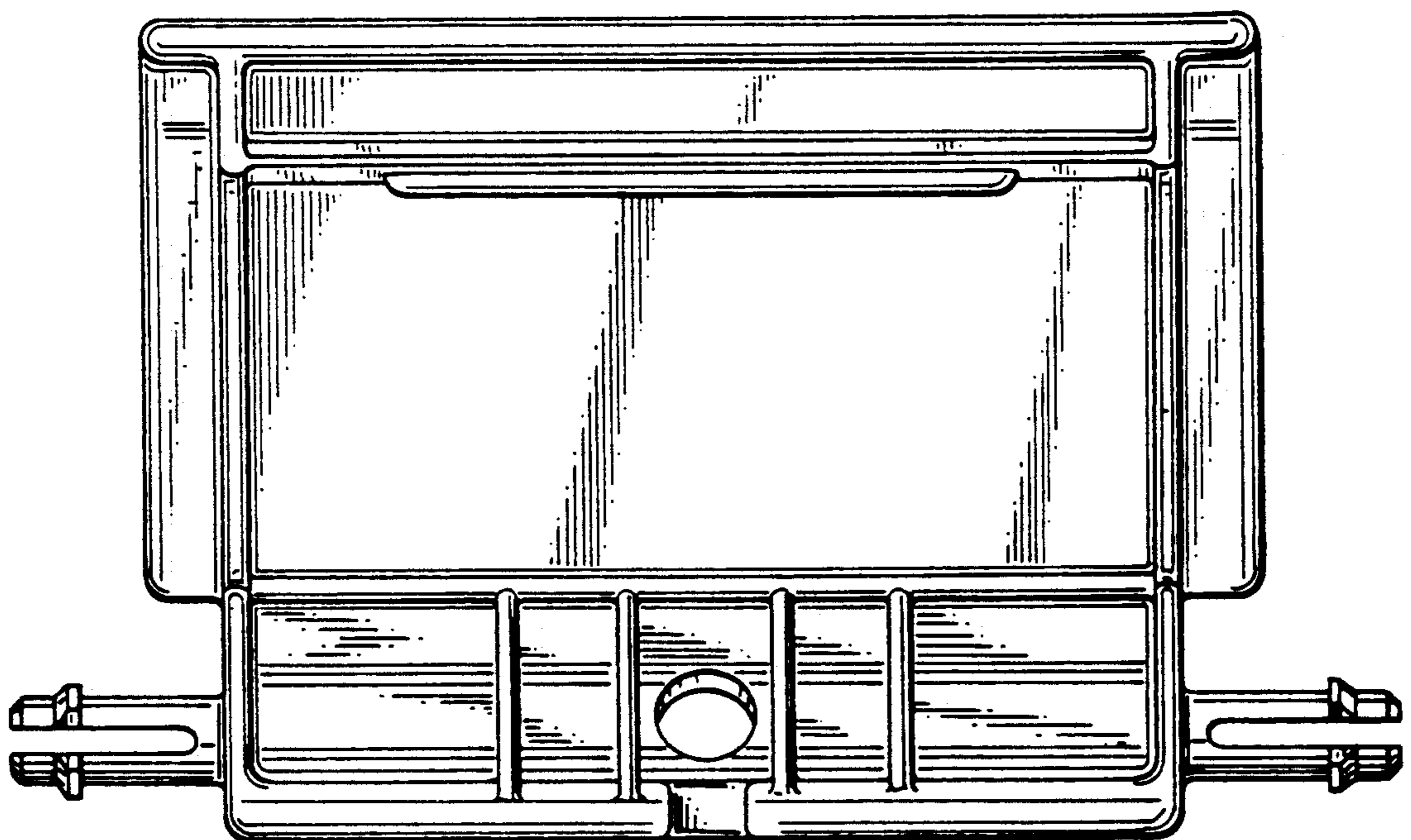


FIG. 6

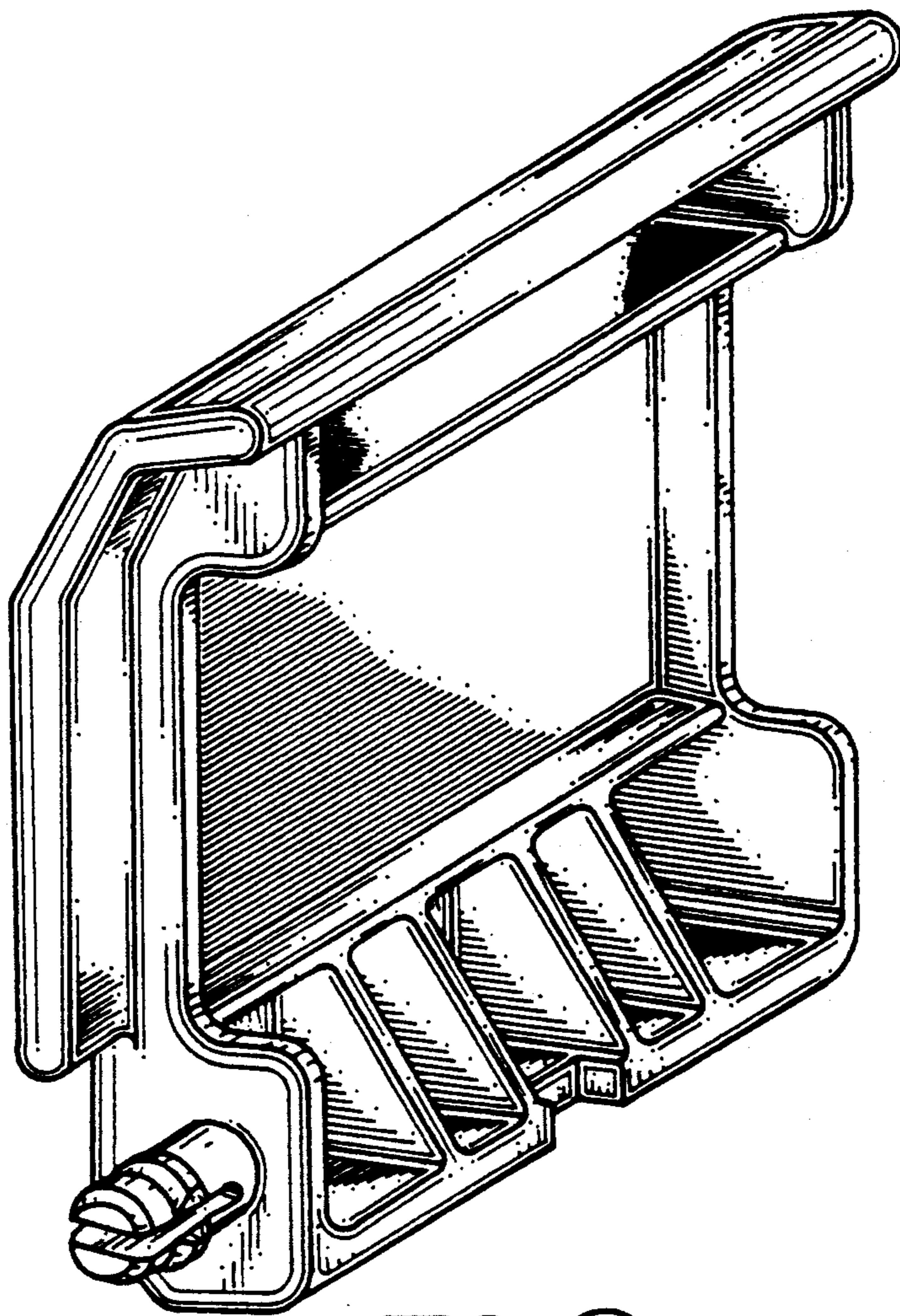


FIG. 8