



US00D331858S

United States Patent [19]

[11] Patent Number: Des. 331,858

Erway

[45] Date of Patent: ** Dec. 22, 1992

[54] COMBINED DISPENSER AND BASE

[76] Inventor: Nicholas J. Erway, R.D. 1, Box 211, Newport, Pa. 17074

[**] Term: 14 Years

[21] Appl. No.: 476,658

[22] Filed: Feb. 8, 1990

[52] U.S. Cl. D7/368; D7/387; D7/391; D7/398; D15/7

[58] Field of Search D15/123; D7/354, 358, D7/601, 602, 387-389, 368, 365, 369, 510; D34/23; 73/169; 210/97, 167; D24/107, 108, 110, 222

D. 321,457 11/1991 Kehl D7/510
D. 321,626 11/1991 Kouts D7/510
1,654,897 1/1928 Rosenblum 73/169
3,913,780 10/1975 Holbrook et al. 220/200
4,591,434 5/1986 Prudhomme 210/167

OTHER PUBLICATIONS

American Scientific Products 1981-1982 Rt. side p. 232.

Primary Examiner—A. Hugo Word
Assistant Examiner—R. Seifert
Attorney, Agent, or Firm—Leon Gilden

[57] CLAIM

The ornamental design for a combined dispenser and base, as shown and described.

DESCRIPTION

FIG. 1 is a front elevational view of a combined dispenser and base showing my new design; FIG. 2 is a rear elevational view thereof; FIG. 3 is a left side elevational view thereof; FIG. 4 is a right side elevational view thereof; FIG. 5 is a top plan view thereof; and, FIG. 6 is a bottom plan view thereof. The broken line showing of a bowl is for illustrative purposes only and forms no part of the claimed design.

[56] References Cited

U.S. PATENT DOCUMENTS

D. 218,361	8/1970	Farrant	D7/368
D. 237,578	11/1975	Thomas	D7/354
D. 253,348	11/1979	Bardeau	D7/358
D. 260,070	8/1981	Haverland et al.	D7/388
D. 287,926	1/1987	Adcock	D3/368
D. 296,144	6/1988	Baker	D34/23
D. 303,908	10/1989	Anderson	D7/387
D. 316,830	5/1991	Demakas et al.	D7/368

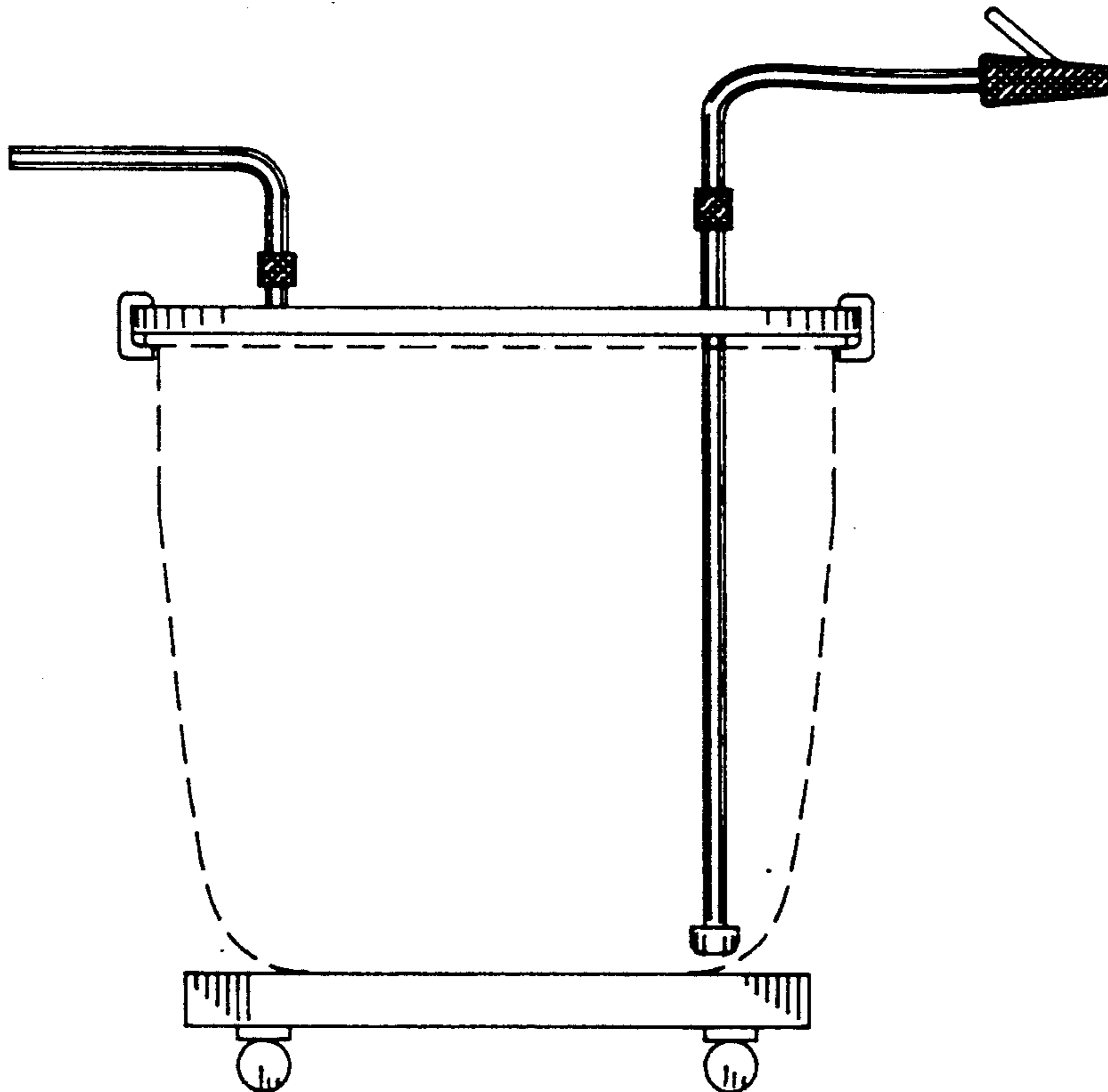


FIG. 1

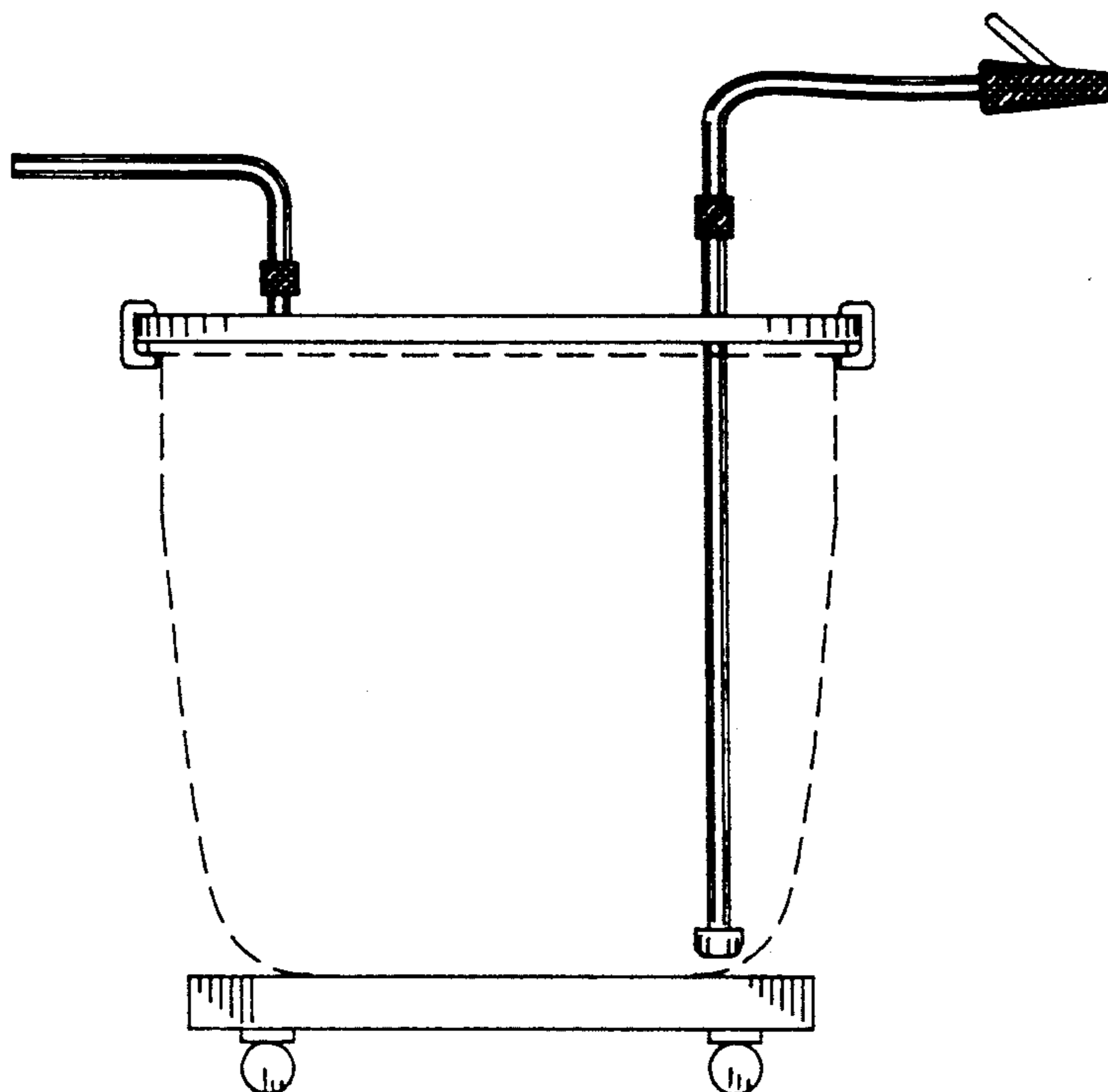


FIG. 2

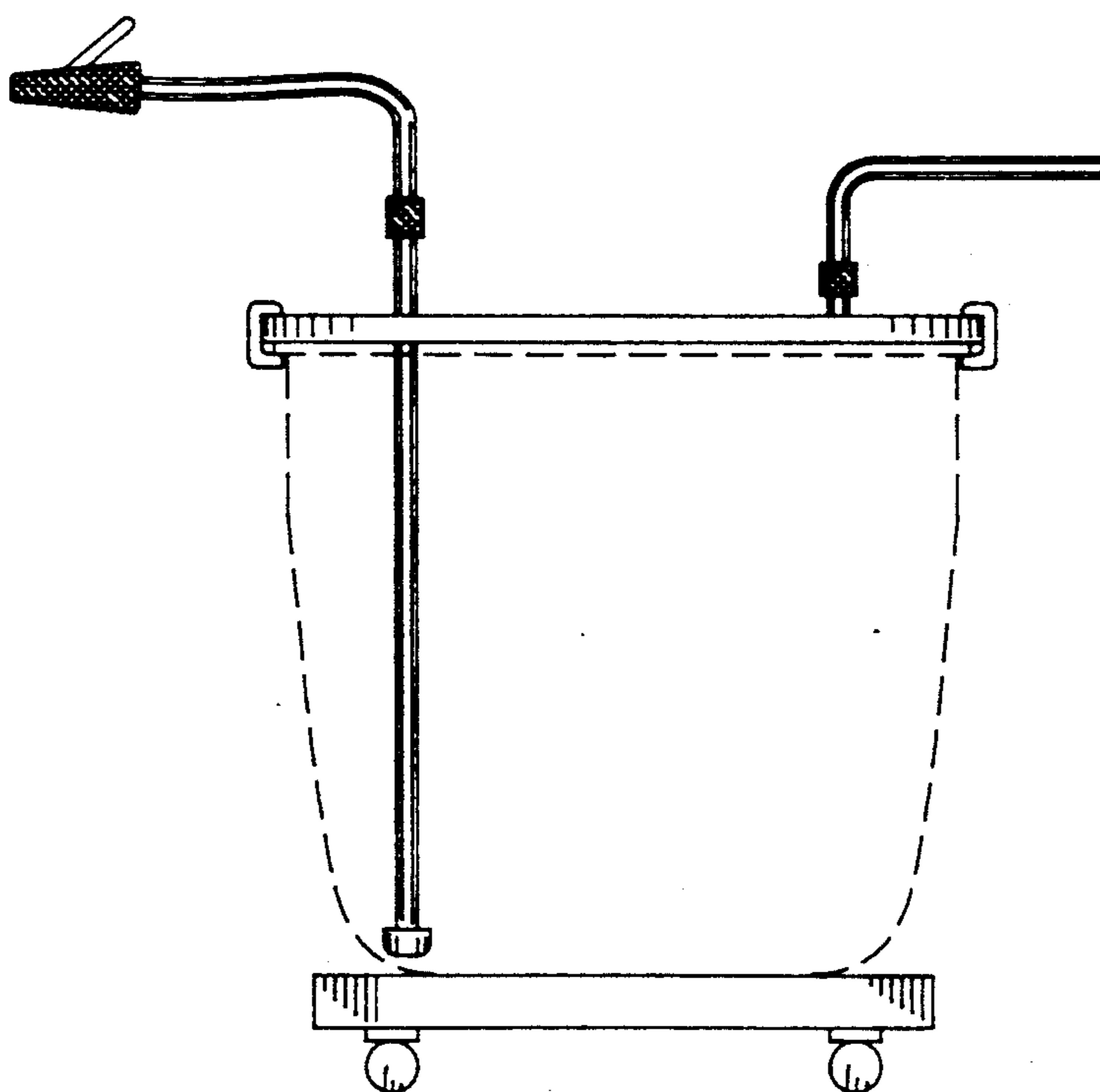


FIG. 3

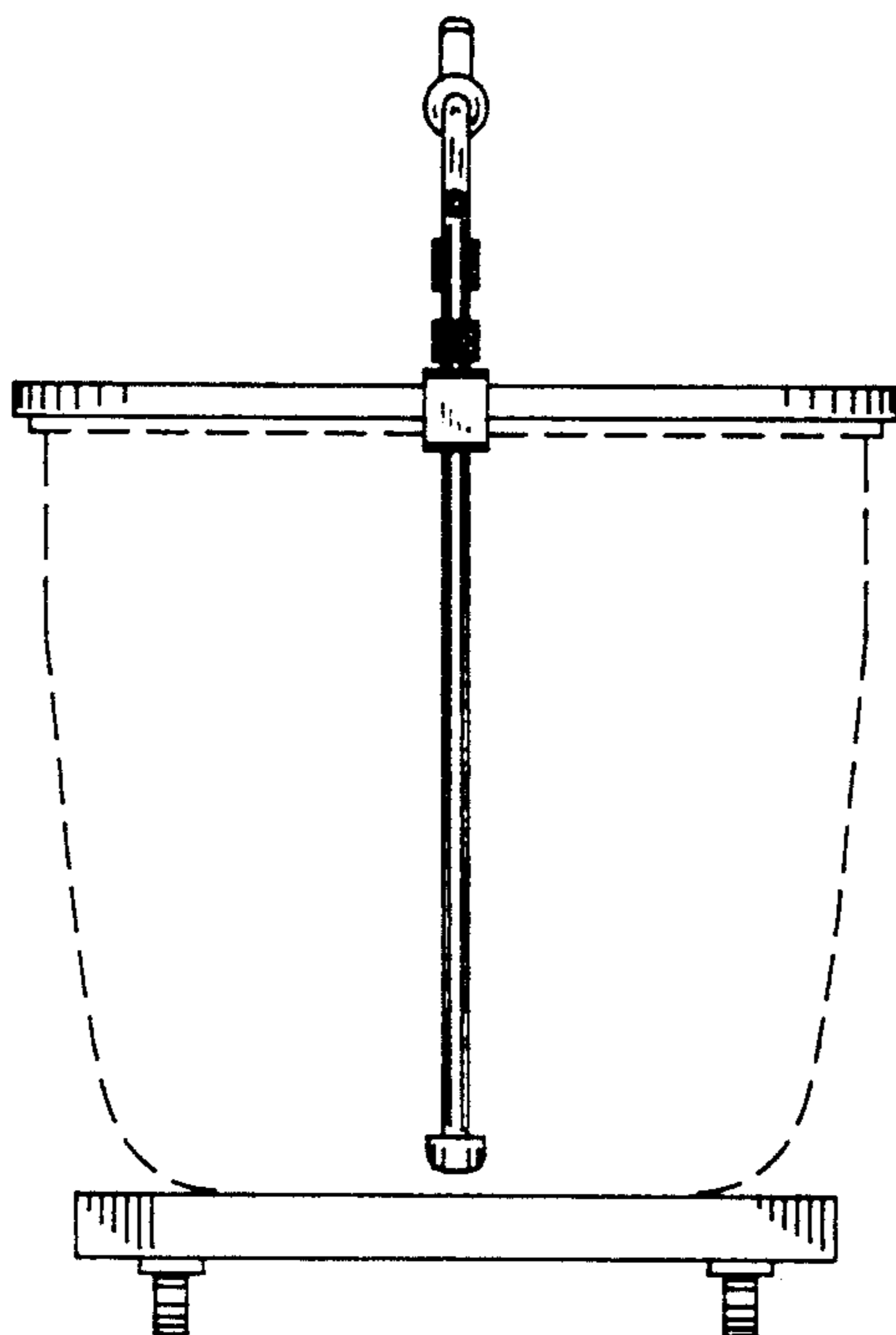


FIG. 4

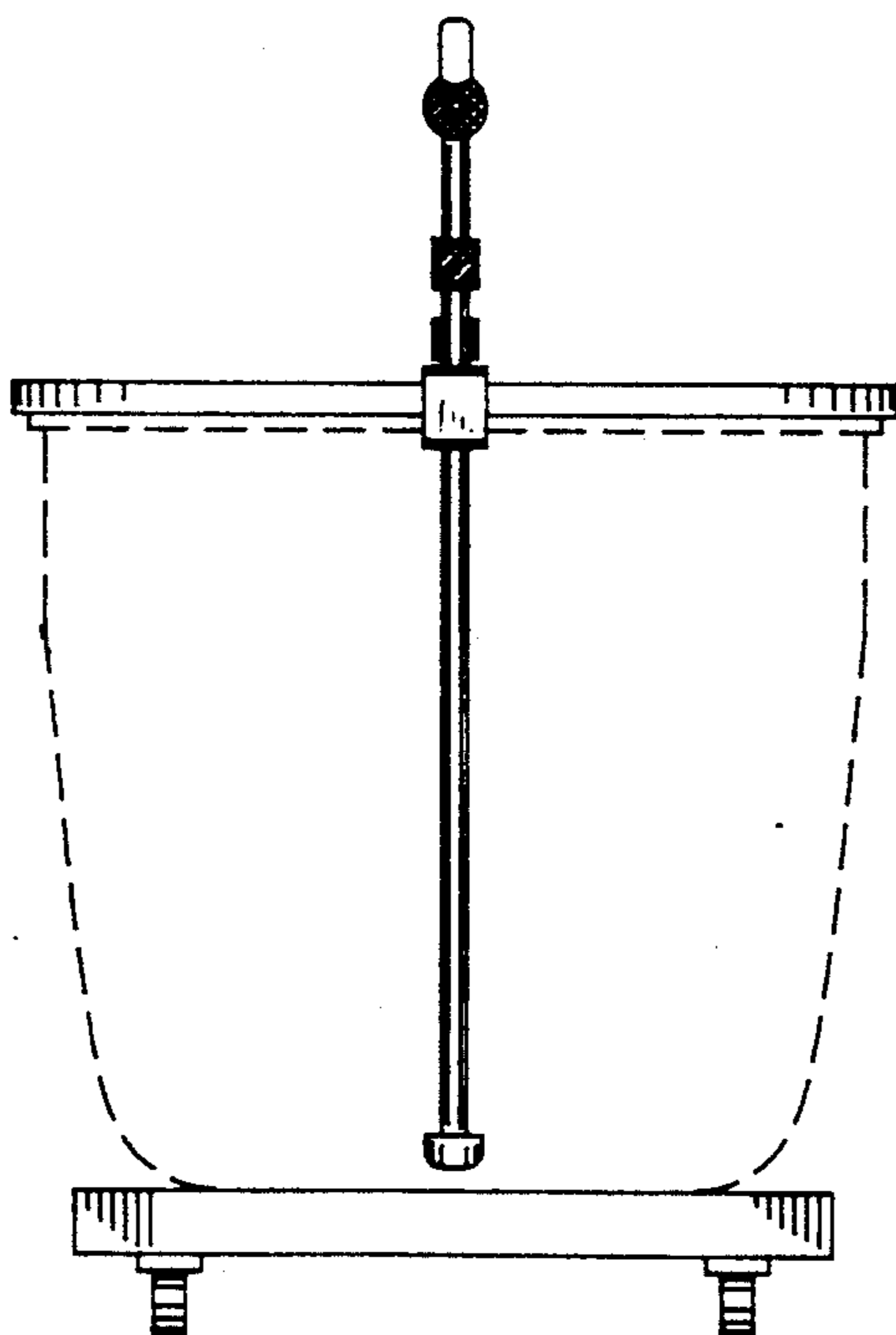


FIG. 5

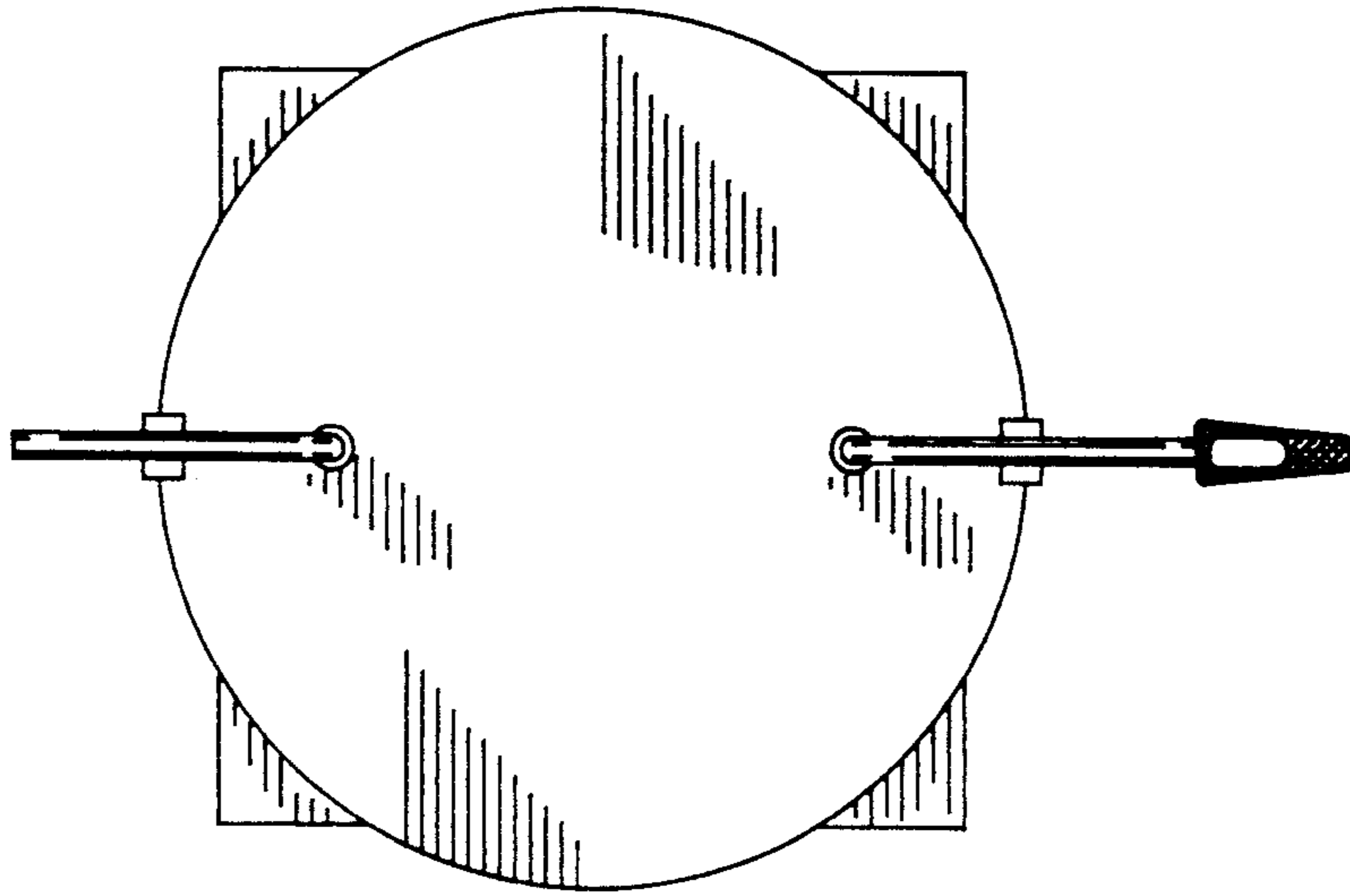


FIG. 6

