



US00D331855S

United States Patent [19]

[11] Patent Number: **Des. 331,855**

Kaplan

[45] Date of Patent: **** Dec. 22, 1992**

[54] **COMBINED KEY AND CARD HOLDER**

D. 319,162	8/1991	Rainwater	D6/569
3,164,298	1/1965	Repko	221/282
4,326,761	4/1982	Schwartz	312/245 X
4,586,616	5/1986	Cooper et al.	211/86

[75] Inventor: **Elaine Kaplan**, Lincolnwood, Ill.

[73] Assignee: **Show Key, Inc.**, Lincolnwood, Ill.

[**] Term: **14 Years**

Primary Examiner—Brian N. Vinson
Attorney, Agent, or Firm—Patula & Associates

[21] Appl. No.: **640,004**

[57] **CLAIM**

[22] Filed: **Jan. 11, 1991**

The ornamental design for a combined key and card holder, as shown and described.

[52] U.S. Cl. **D6/512; D6/515; D6/553; D6/569; D8/367**

DESCRIPTION

[58] **Field of Search** D6/512, 515, 546, 552-553, D6/567, 569; D8/367, 372; 211/13, 70.6, 70.7, 86-87; 221/282-286; 248/37.3, 304, 309.1; 312/245

FIG. 1 is a top, front, and right side elevational view of a combined key and card holder showing my new design, the broken-line disclosure of a key and card being for illustrative purposes only and forming no part of the claimed design;

[56] **References Cited**

U.S. PATENT DOCUMENTS

D. 275,629	9/1984	Einhorn	D8/372
D. 299,094	12/1988	Mills	D6/515
D. 307,539	5/1990	Goodman et al.	D8/367
D. 308,784	6/1990	Liptale	D6/553

FIG. 2 is an enlarged front elevational view thereof;

FIG. 3 is an enlarged rear elevational view thereof;

FIG. 4 is an enlarged left side elevational view thereof, the right side being a mirror image of that shown;

FIG. 5 is an enlarged top plan view thereof; and,

FIG. 6 is an enlarged bottom plan view thereof.

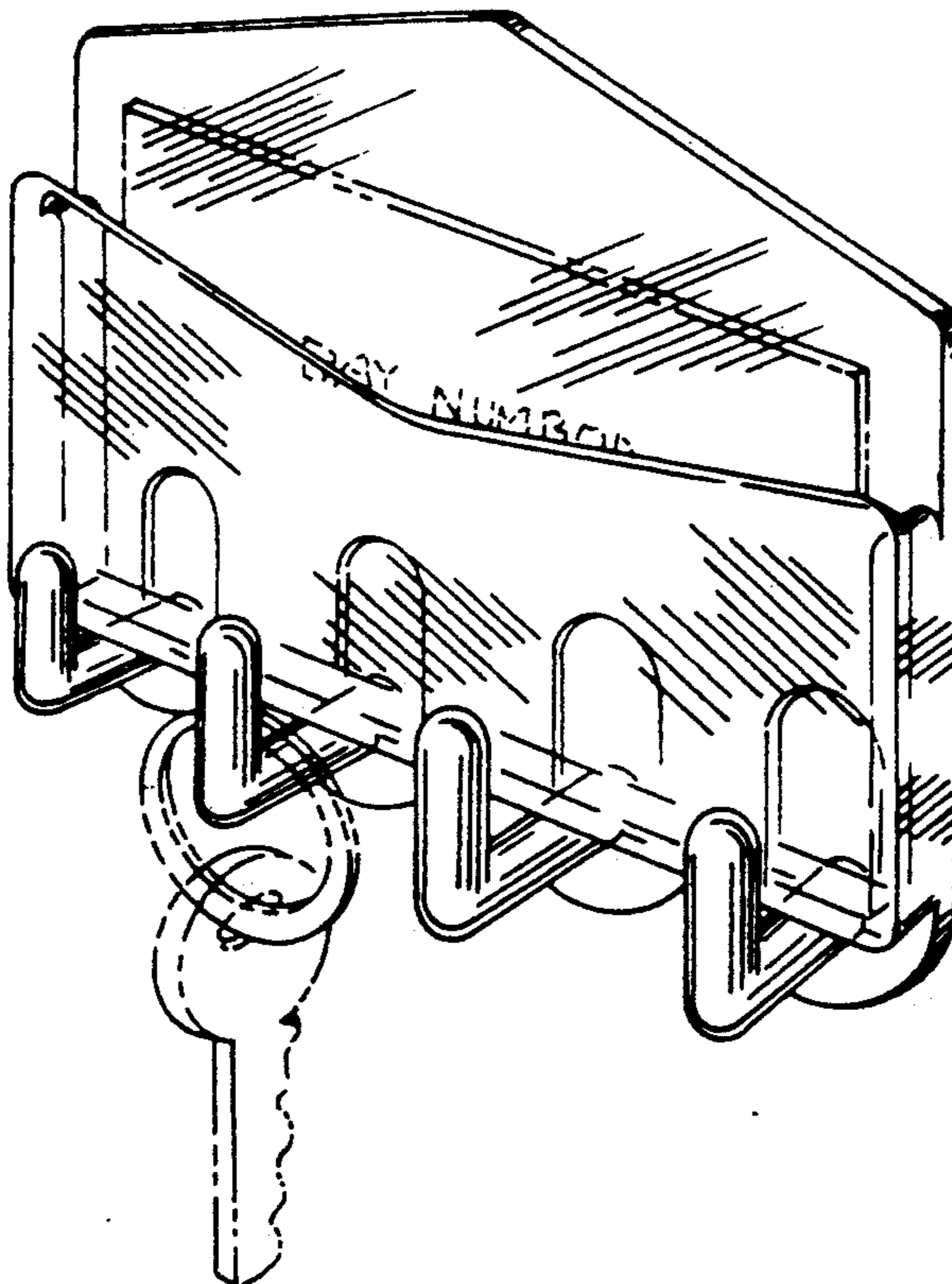


FIG. 1

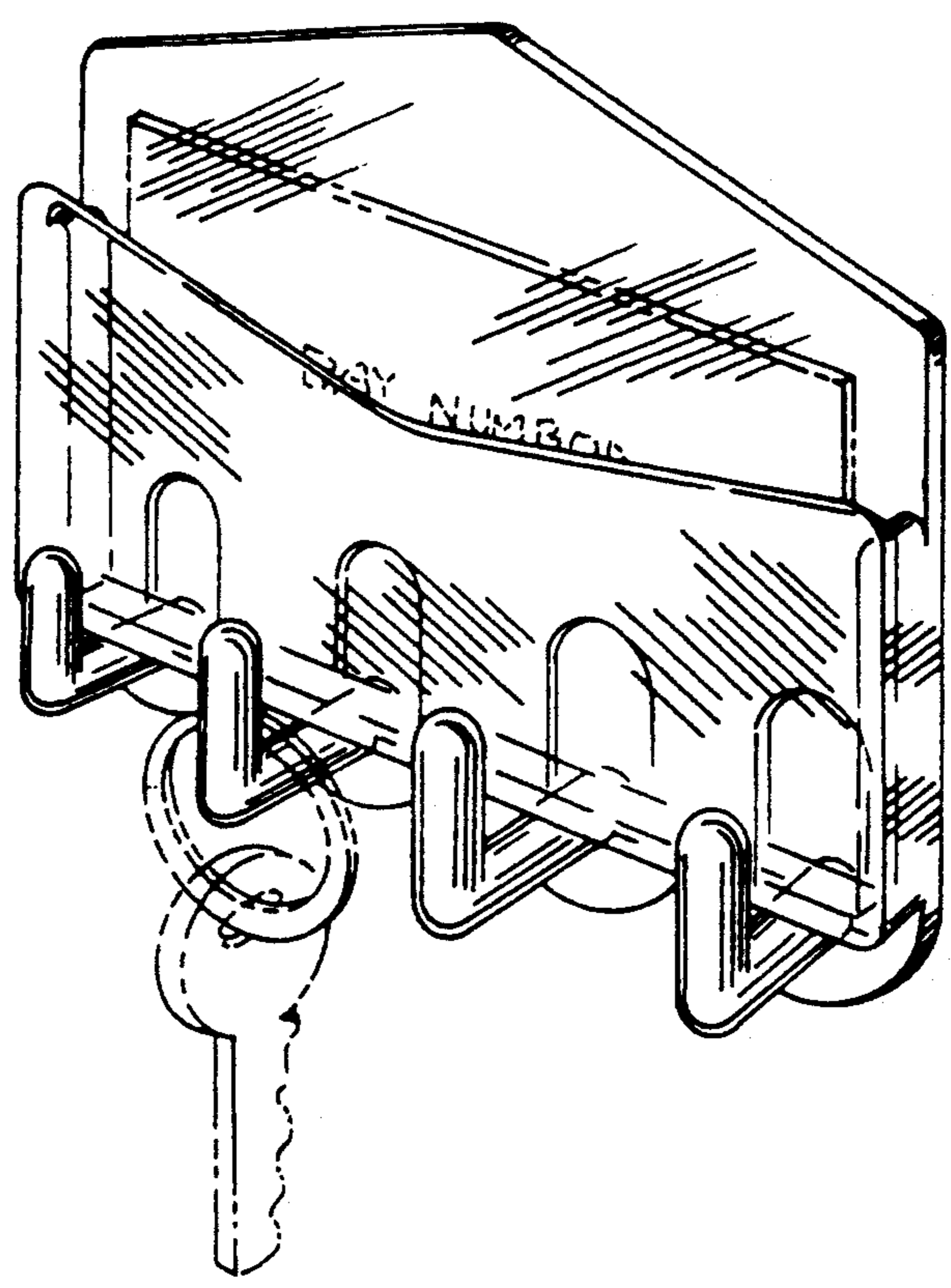


FIG. 2

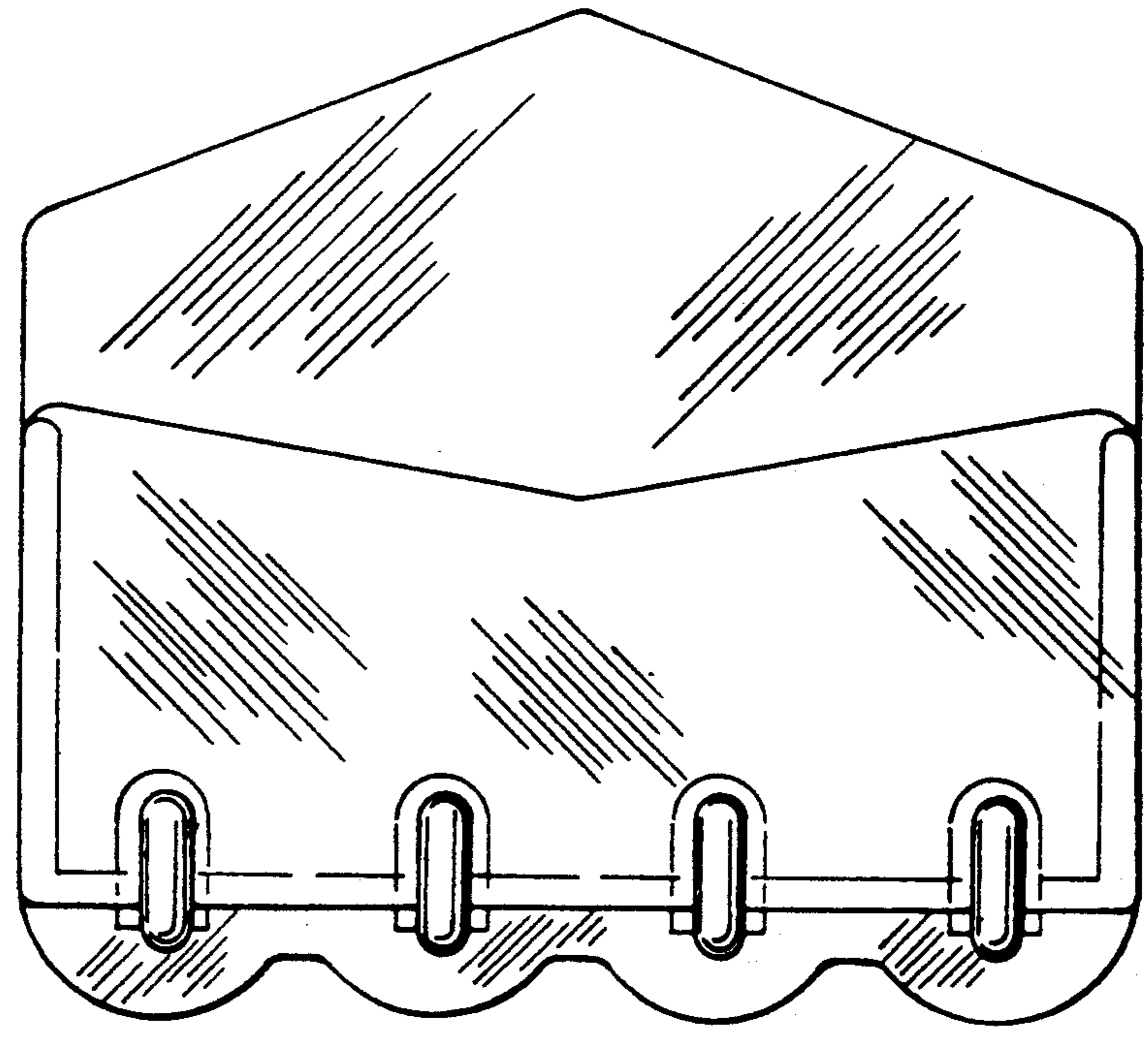


FIG. 3

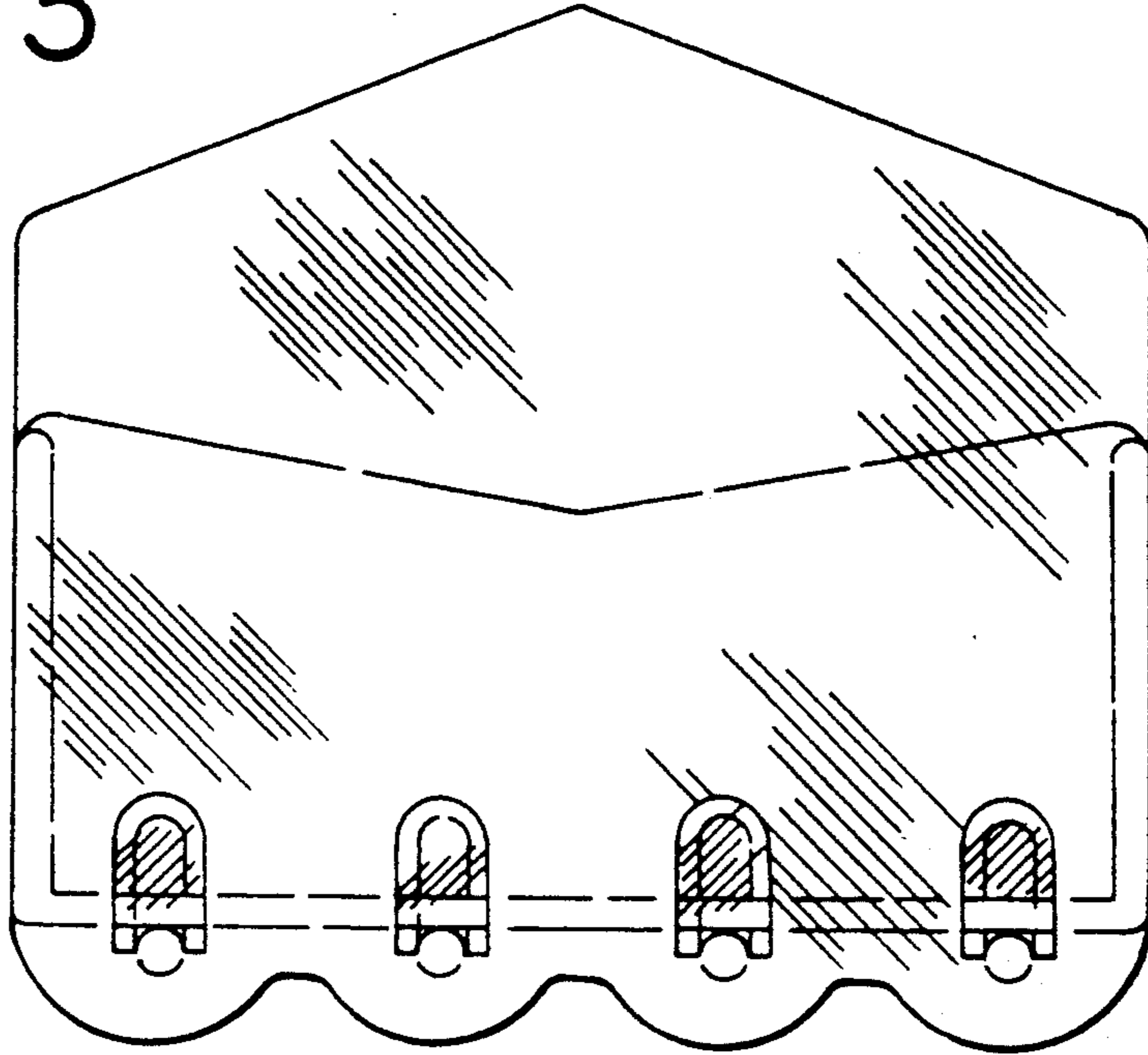


FIG. 4

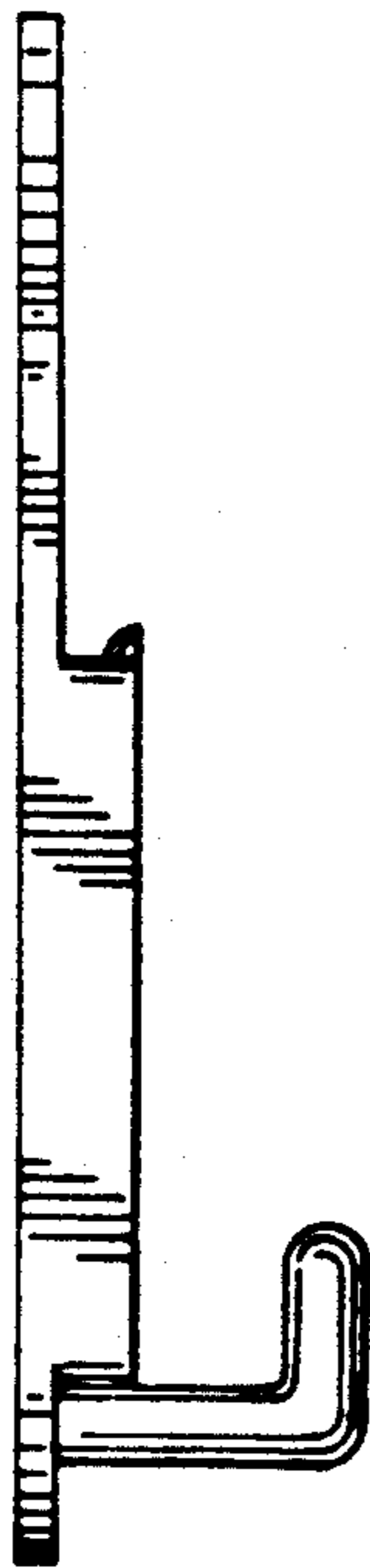


FIG. 5

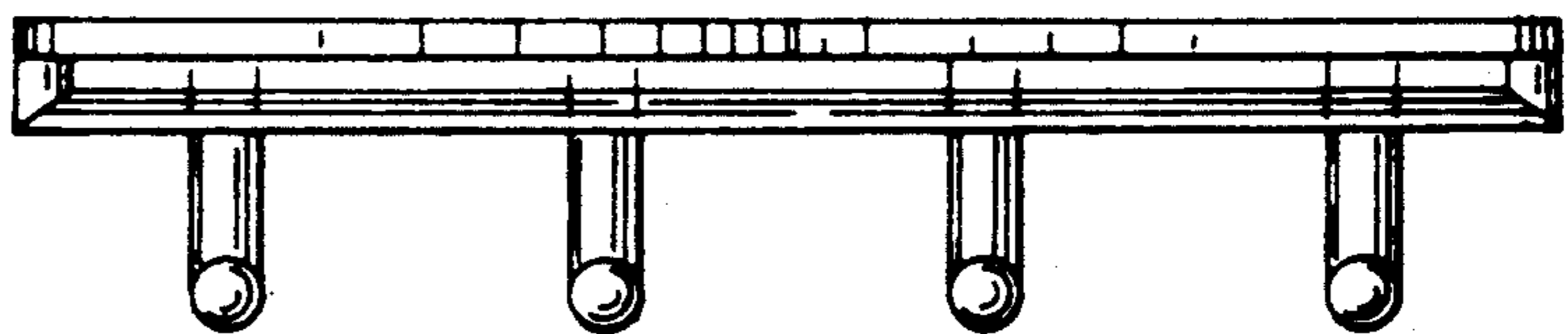


FIG. 6

