



US00D331853S

United States Patent [19]

[11] Patent Number: Des. 331,853

Shimonovitch

[45] Date of Patent: ** Dec. 22, 1992

[54] SUPPORTING LEG FOR A SERVING TRAY

[76] Inventor: Shraga Shimonovitch, 2960 Forrest La., York, Pa. 17402

[**] Term: 14 Years

[21] Appl. No.: 864,086

[22] Filed: Apr. 6, 1992

Related U.S. Application Data

- [63] Continuation of Ser. No. 437,919, Nov. 17, 1989.
- [52] U.S. Cl. D6/495; D6/499
- [58] Field of Search D6/495, 497, 499, 480, D6/484, 487, 488, 500

[56] References Cited

U.S. PATENT DOCUMENTS

- D. 186,896 12/1959 Monroe D6/495
- D. 206,170 11/1966 Anderson D6/495 X
- D. 216,715 3/1970 Dottinger D6/495

OTHER PUBLICATIONS

Schoner Wohnen, Apr. 1987, p. 116, legs at far left.
 Carsons, nest of tables, in center front.
 Seleg Tables, table #75-04 bottom right.
 Brown Jordan ©1986, p. 23 #1810, 5100 center top.

Primary Examiner—Alan P. Douglas
Assistant Examiner—Janice E. Seeger
Attorney, Agent, or Firm—Charles J. Long

[57] CLAIM

The ornamental design for a supporting leg for a serving tray, as shown and described.

DESCRIPTION

FIG. 1 is an end elevational view of a supporting leg for a serving tray, showing my new design, the opposite end being a mirror image thereof;
 FIG. 2 is a left side elevational view;
 FIG. 3 is a right side elevational view; and,
 FIG. 4 is a bottom perspective view thereof.
 The top and bottom of the support leg are plain and unadorned. The broken lines in FIG. 1 are for environmental purposes only and form no part of the claimed design.

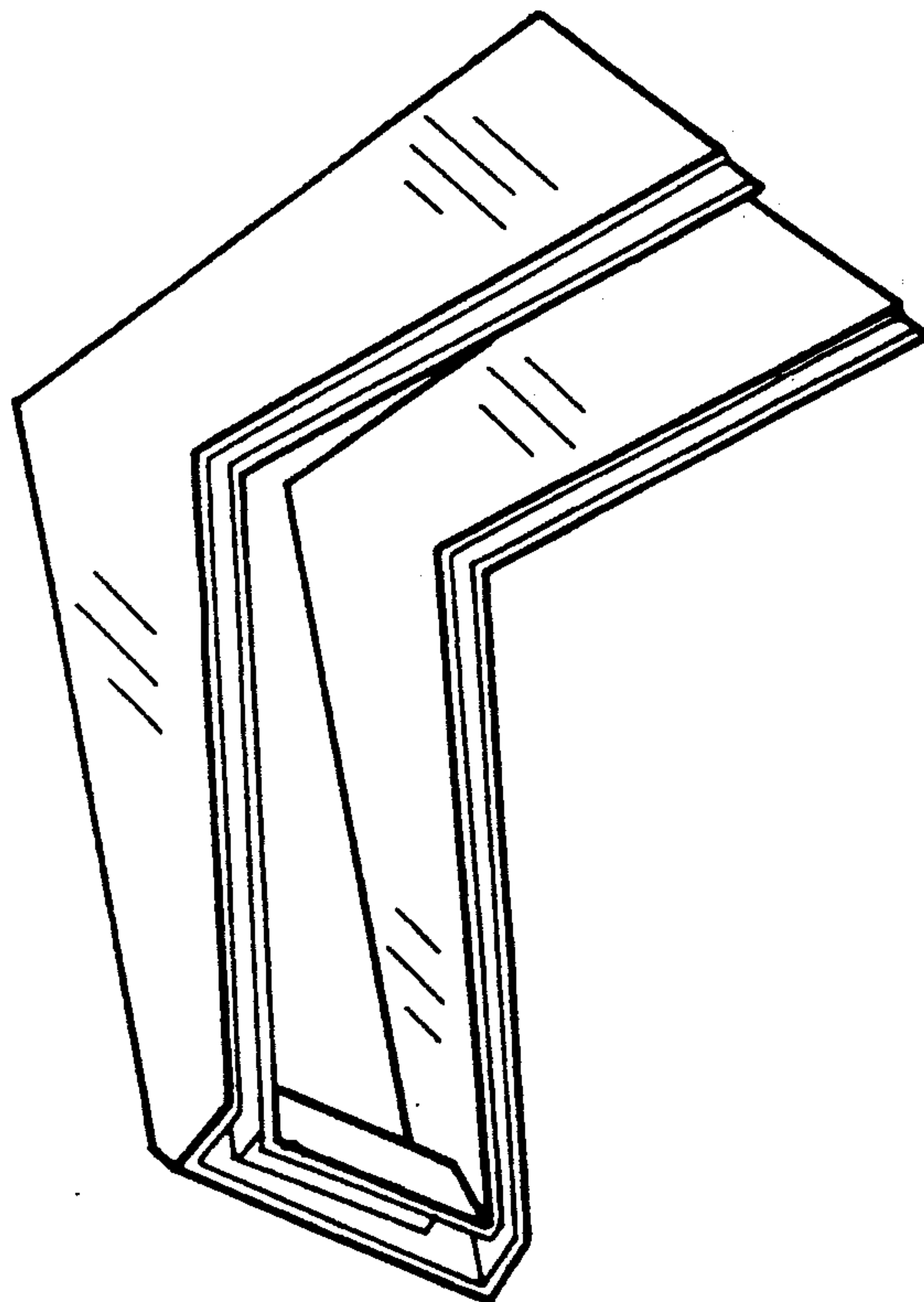


Fig.1

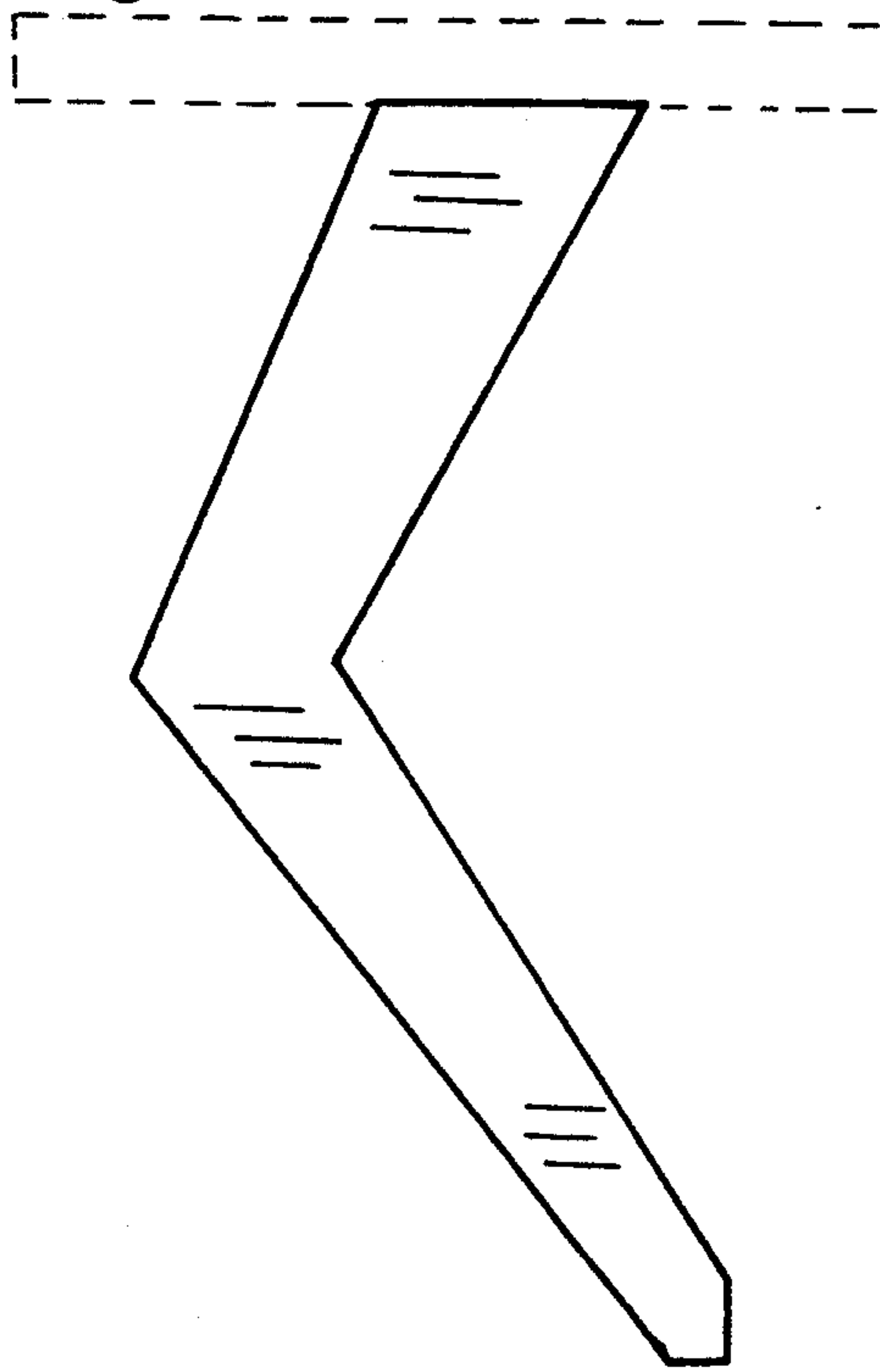


Fig.2

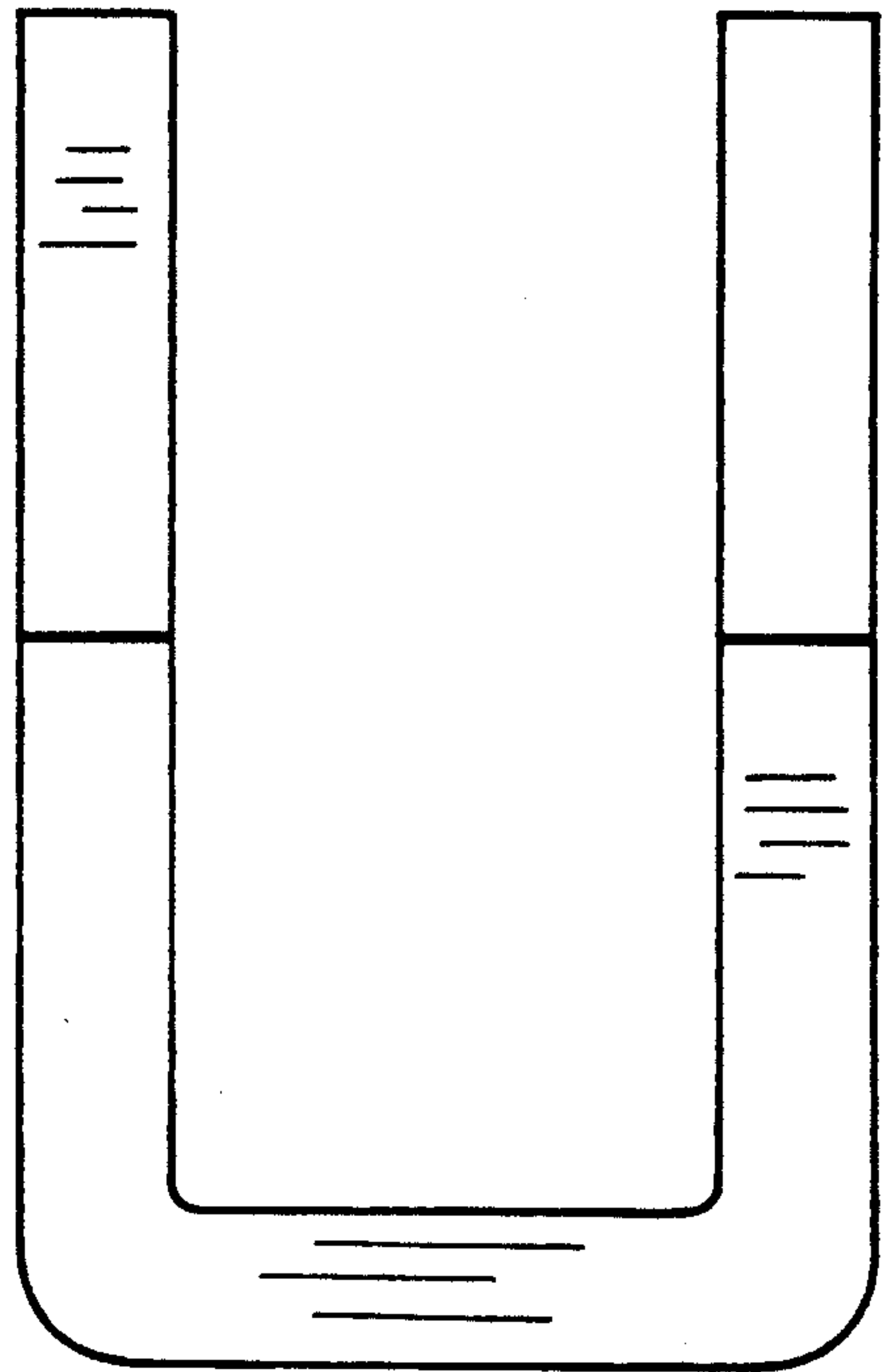


Fig.4

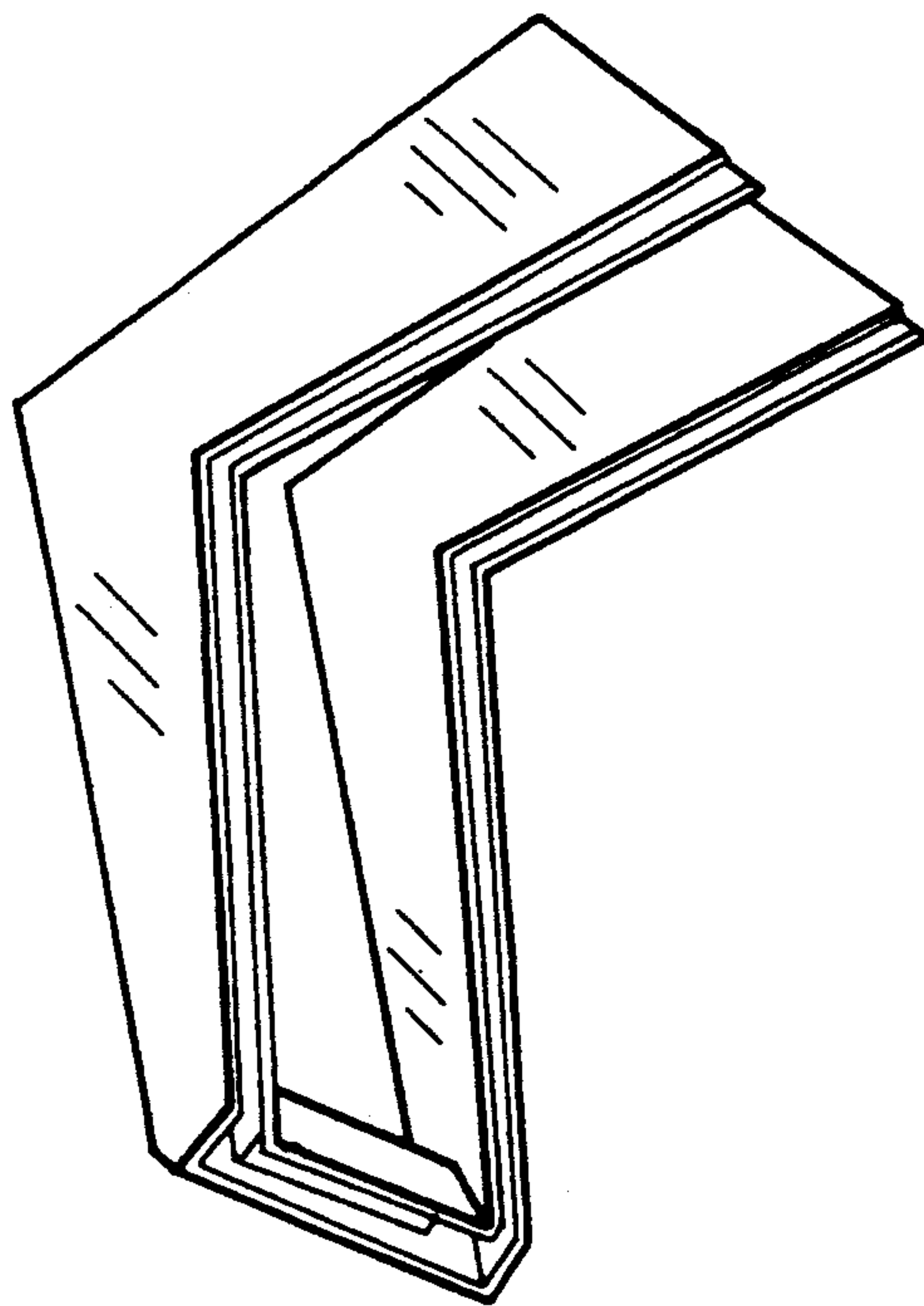


Fig.3

