



US00D331850S

# United States Patent [19]

[11] Patent Number: **Des. 331,850**

Wurst

[45] Date of Patent: **\*\* Dec. 22, 1992**

[54] **COFFEE TABLE**

[76] Inventor: **Michael Wurst**, 6205 S. Knoll Dr.,  
Edina, Minn. 55436

[\*\*] Term: **14 Years**

[21] Appl. No.: **626,865**

[22] Filed: **Dec. 13, 1990**

[52] U.S. Cl. .... **D6/486; D6/480**

[58] Field of Search ..... **D6/480, 482-489,  
D6/495-499, 511, 429, 430, 449, 470**

[56] **References Cited**

**U.S. PATENT DOCUMENTS**

- D. 235,293 6/1975 Waitzman ..... D6/484 X
- D. 257,926 1/1981 Redmond ..... D6/486 X
- D. 264,290 5/1982 Ungaro ..... D6/486
- D. 265,359 7/1982 Malven ..... D6/480
- D. 270,308 8/1983 Aronowitz et al. .... D6/480

**OTHER PUBLICATIONS**

Architectural Supplements, p. 6, table at top right.

Charlton Co., No. 699 Table.  
Intrex-Habitat, p. 9, top at top right.  
*Scott Burton*, p. 46, Onyx Table at lower right.

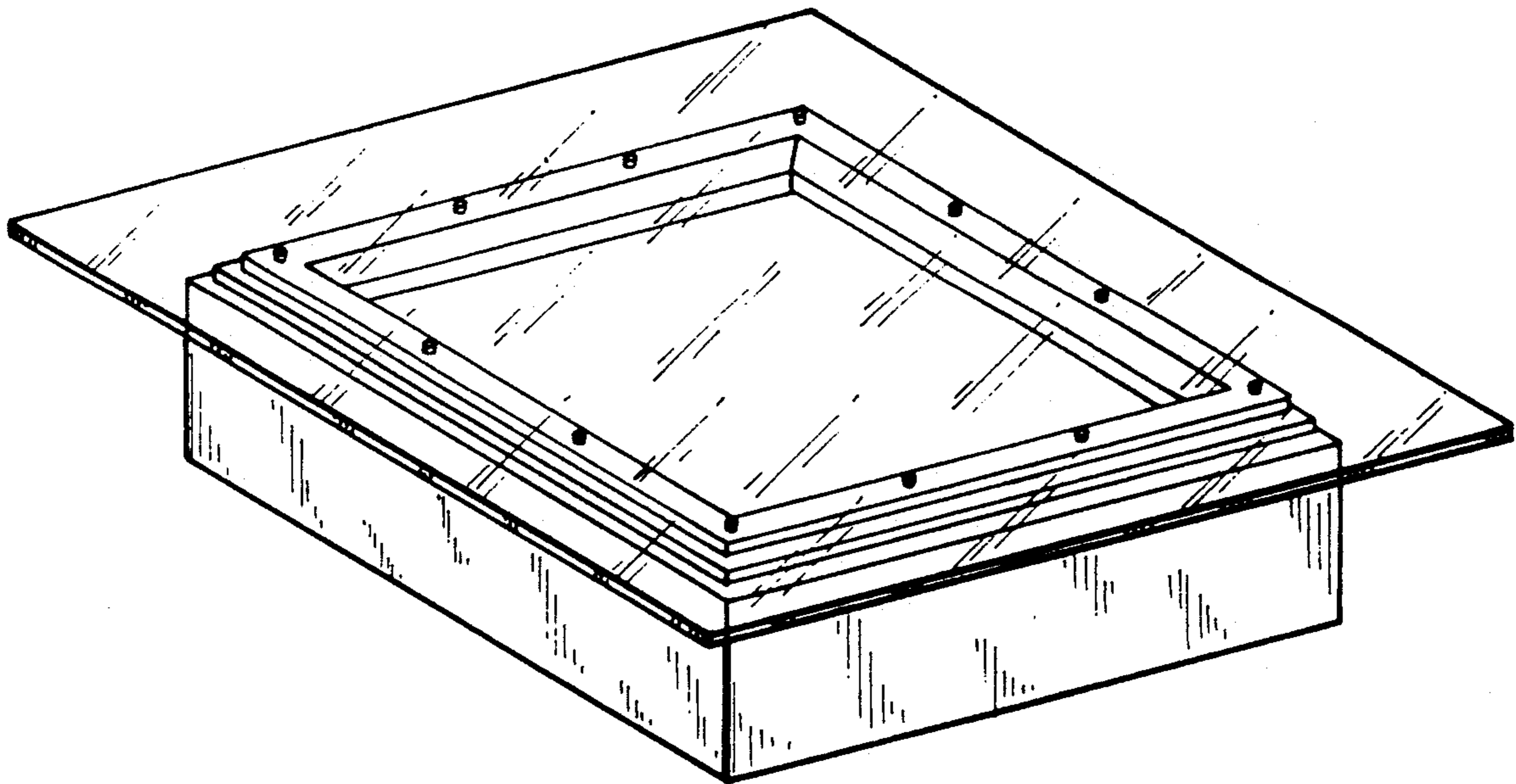
*Primary Examiner*—Alan P. Douglas  
*Assistant Examiner*—Janice E. Seeger  
*Attorney, Agent, or Firm*—Haugen and Nikolai

[57] **CLAIM**

The ornamental design for a coffee table, as shown and described.

**DESCRIPTION**

FIG. 1 is a perspective view of a coffee table, showing my new design;  
FIG. 2 is a top plan view;  
FIG. 3 is a bottom plan view;  
FIG. 4 is a side elevational view, the undisclosed sides being identical thereto;  
FIG. 5 is a side elevational view of a second embodiment of my new design; and,  
FIG. 6 is a side elevational view of a third embodiment of my new design.



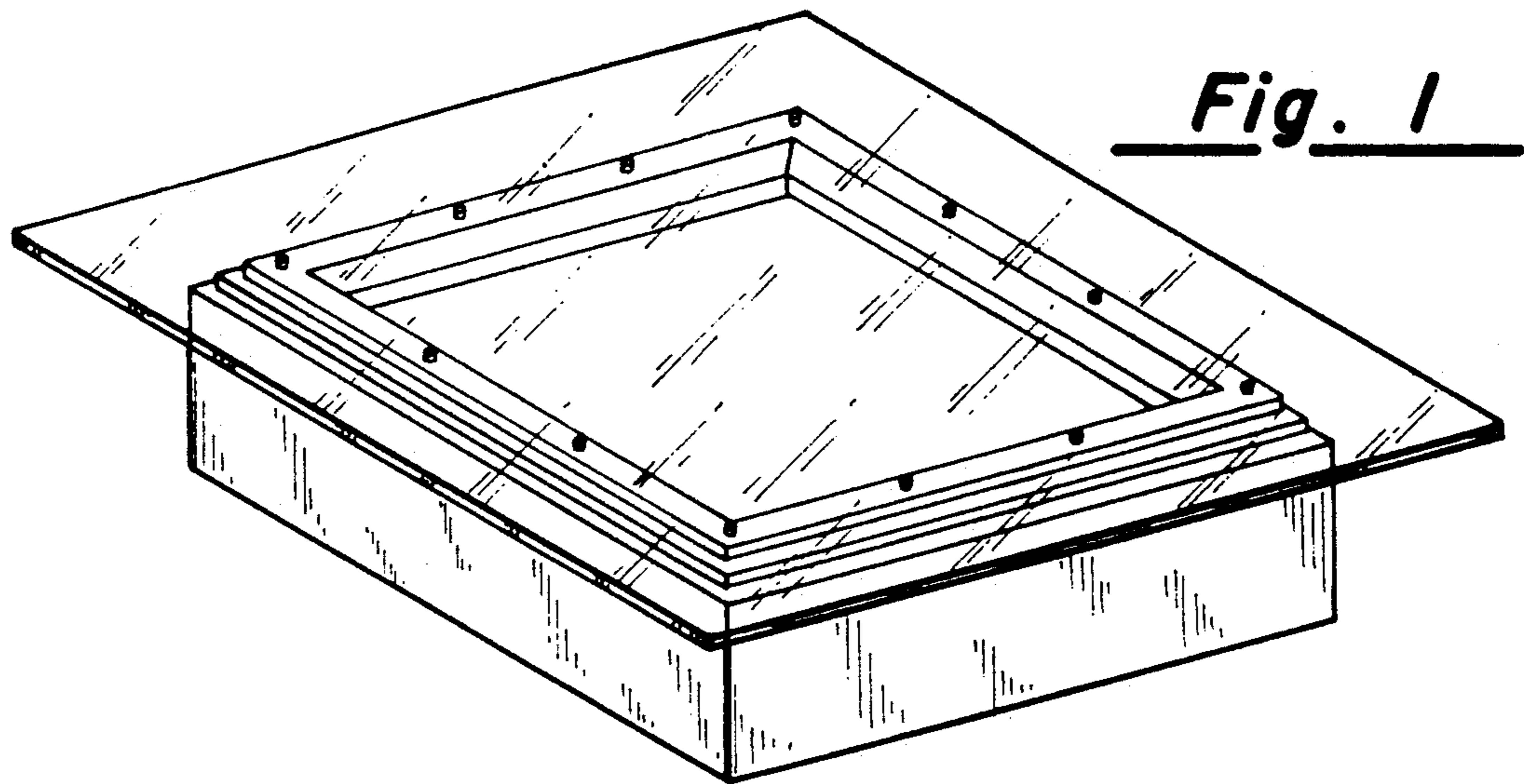


Fig. 1

Fig. 2

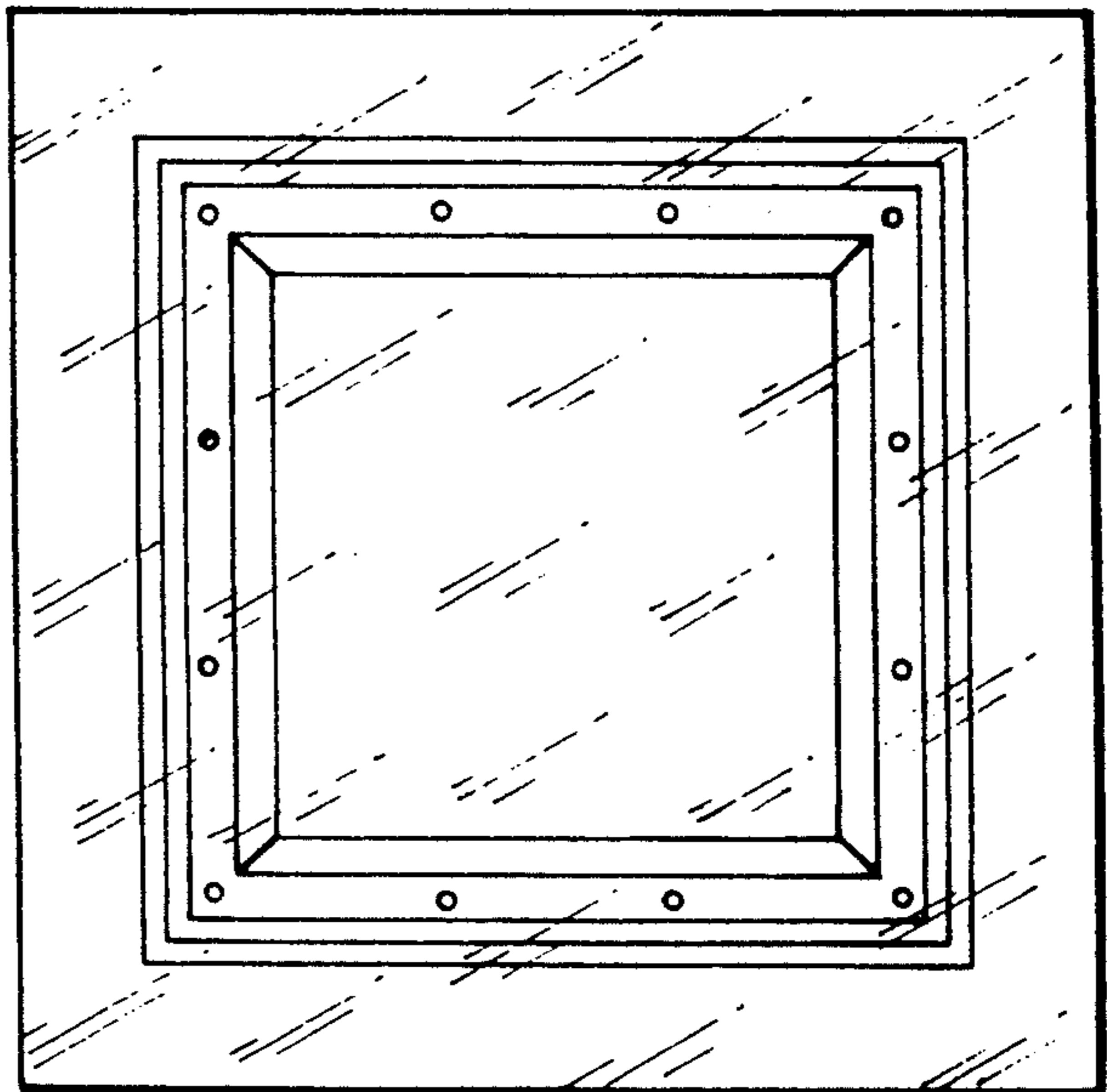


Fig. 3

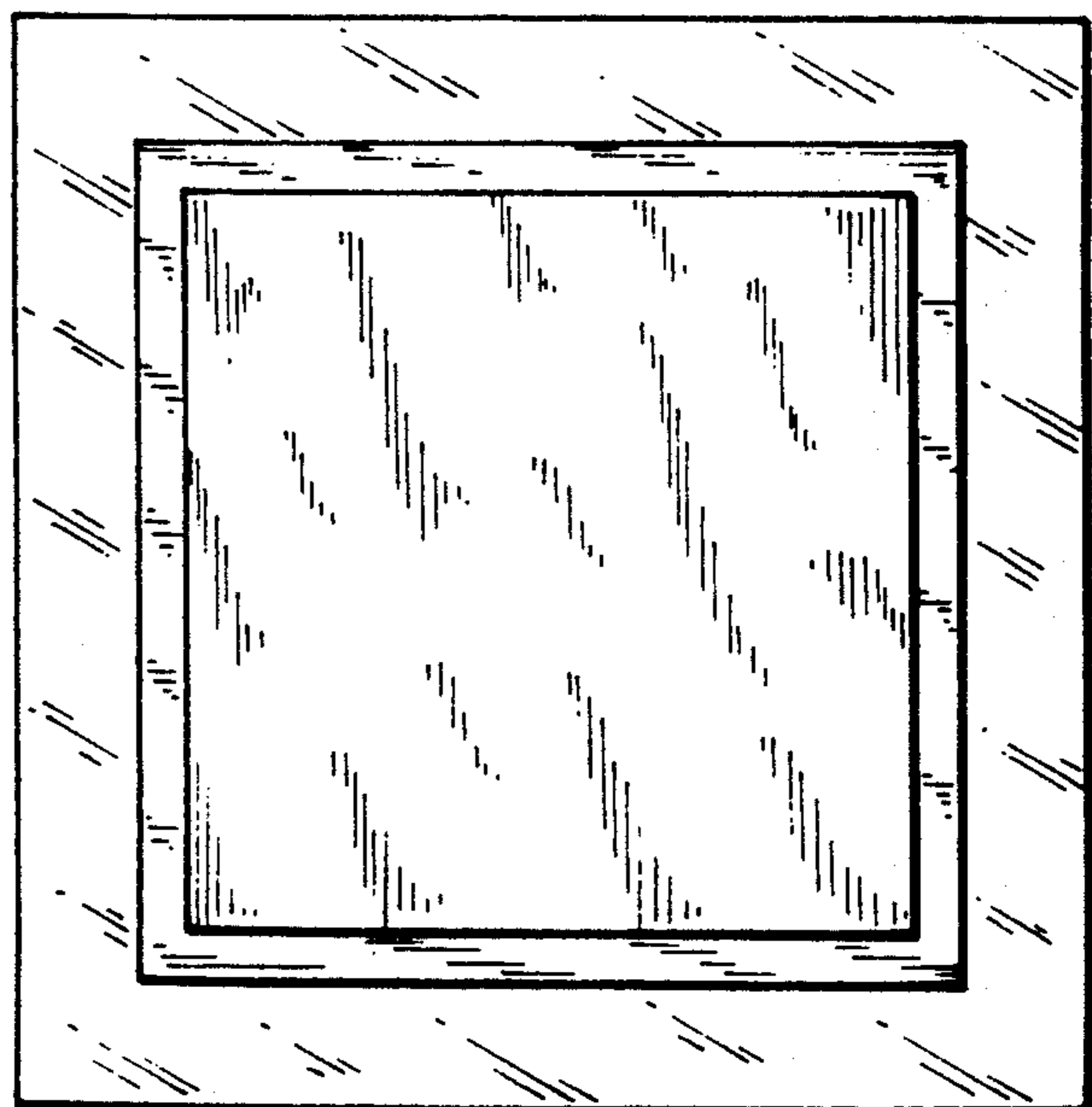




Fig. 4

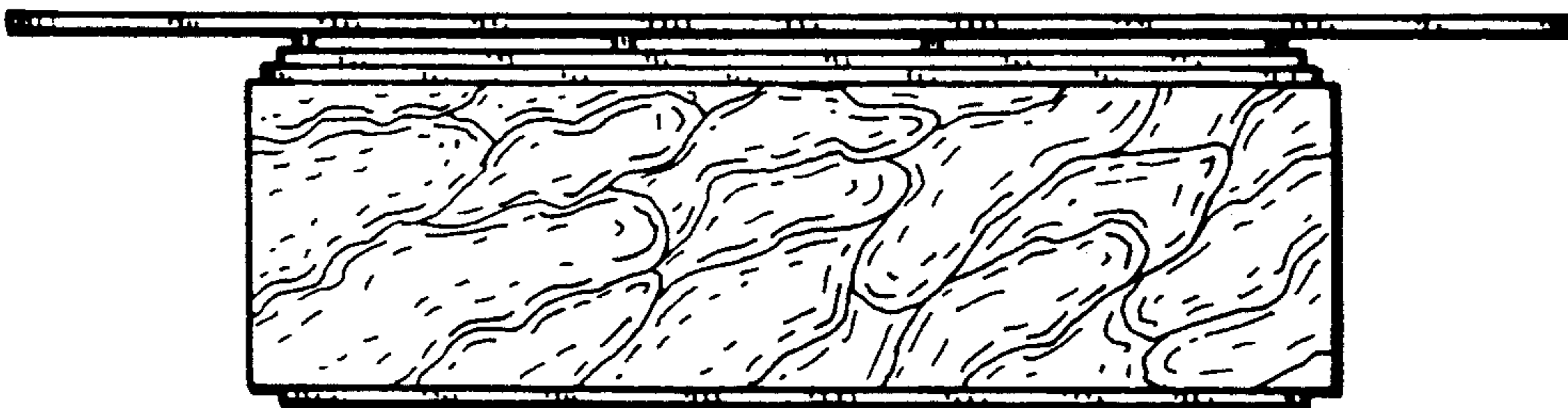


Fig. 5



Fig. 6