



US00D331848S

United States Patent [19]

[11] Patent Number: **Des. 331,848**

Brunner et al.

[45] Date of Patent: **** Dec. 22, 1992**

- [54] **DRESSING TABLE**
- [75] Inventors: **Merlin A. Brunner**, Appleton;
Harvey J. Draheim, Weyauwega,
both of Wis.
- [73] Assignee: **Simmons Juvenile Products
Company, Inc.**, New London, Wis.
- [**] Term: **14 Years**
- [21] Appl. No.: **731,720**
- [22] Filed: **Jul. 15, 1991**
- [52] U.S. Cl. **D6/479; D6/384;
D6/391**
- [58] **Field of Search** **D6/449, 455, 477-479,
D6/466-468, 475, 476, 460, 461, 474, 382, 384,
390, 391; 5/100, 512; 108/52, 91, 92, 108, 111**

- D. 260,827 9/1981 Sommer **D6/390 X**
- D. 270,973 10/1983 Brunner et al. **D6/478**

FOREIGN PATENT DOCUMENTS

- 1028285 3/1978 Canada **D6/479 X**

OTHER PUBLICATIONS

Baby Line Catalog, p. 17, item #775.

Primary Examiner—Alan P. Douglas
Assistant Examiner—Jeffrey Asch
Attorney, Agent, or Firm—Hoffmann & Baron

[57] CLAIM

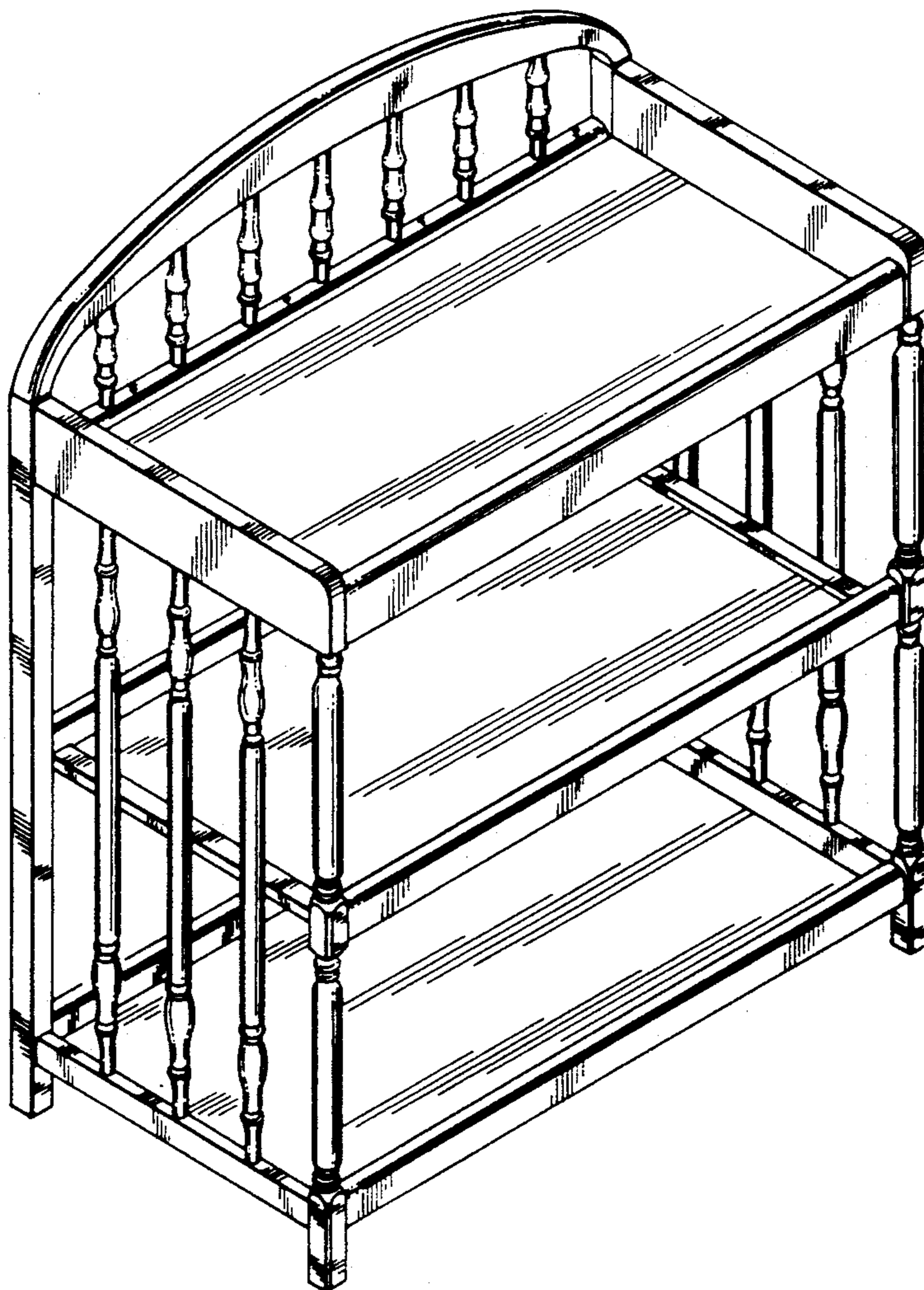
The ornamental design for a dressing table, as shown and described.

DESCRIPTION

FIG. 1 is a top perspective view of a dressing table showing our new design;
FIG. 2 is a top plan view thereof;
FIG. 3 is a side elevation view thereof, the opposite side being a mirror image thereof; and,
FIG. 4 is a rear elevation view thereof.

[56] References Cited U.S. PATENT DOCUMENTS

- D. 154,664 8/1949 Corneal **D6/479 X**
- D. 225,601 12/1972 Pierson, Jr. **D6/391**



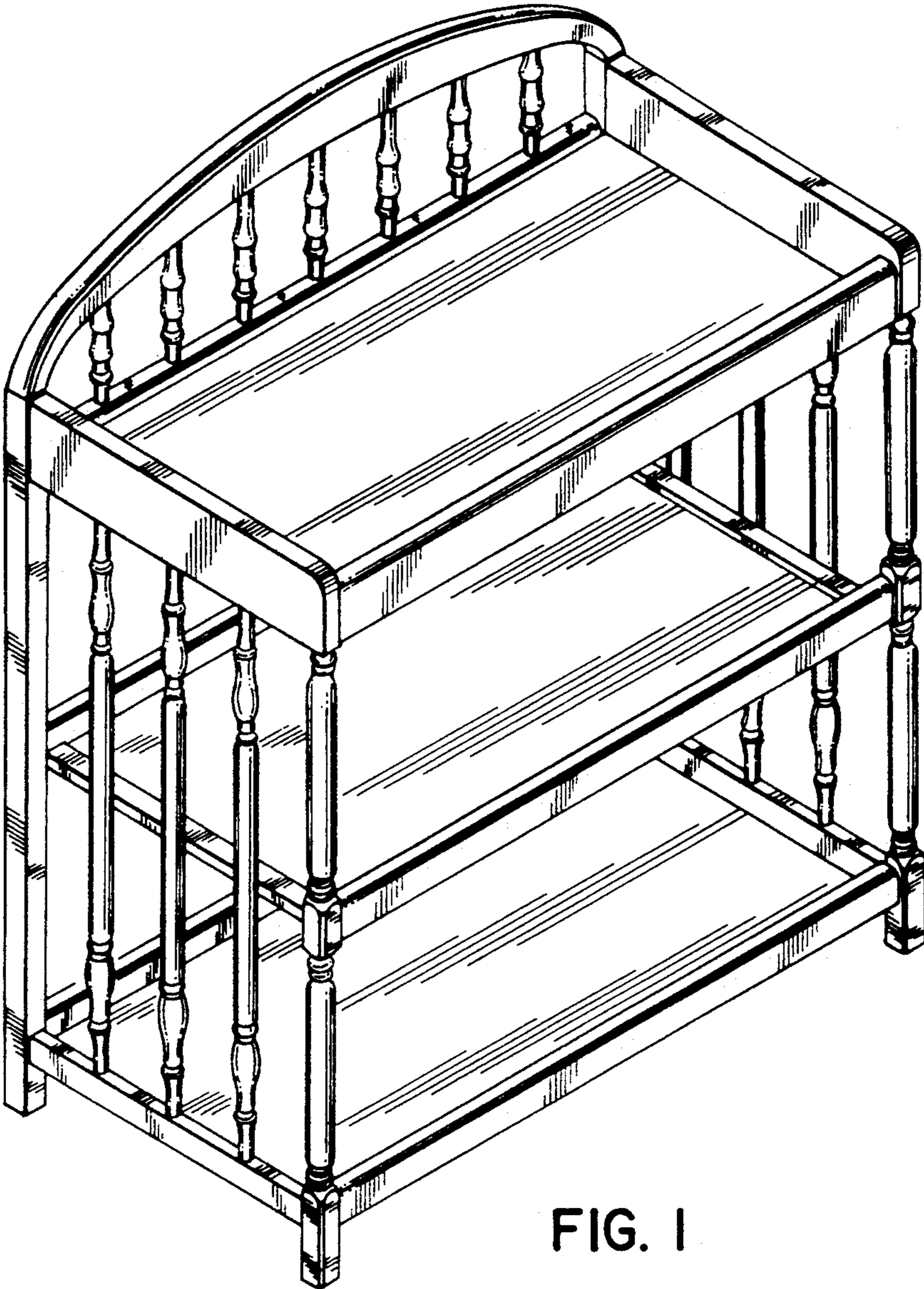


FIG. 1

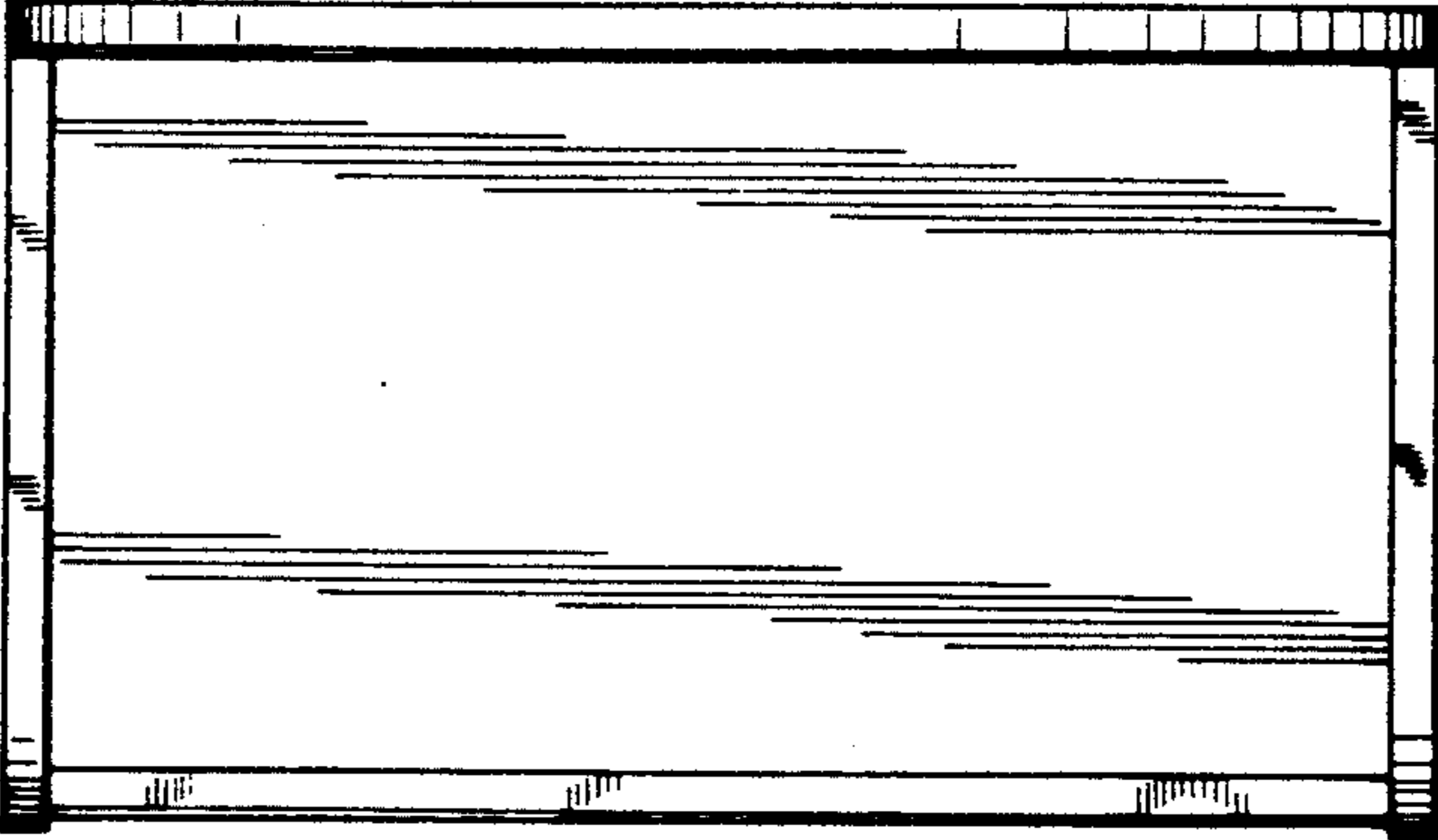


FIG. 2

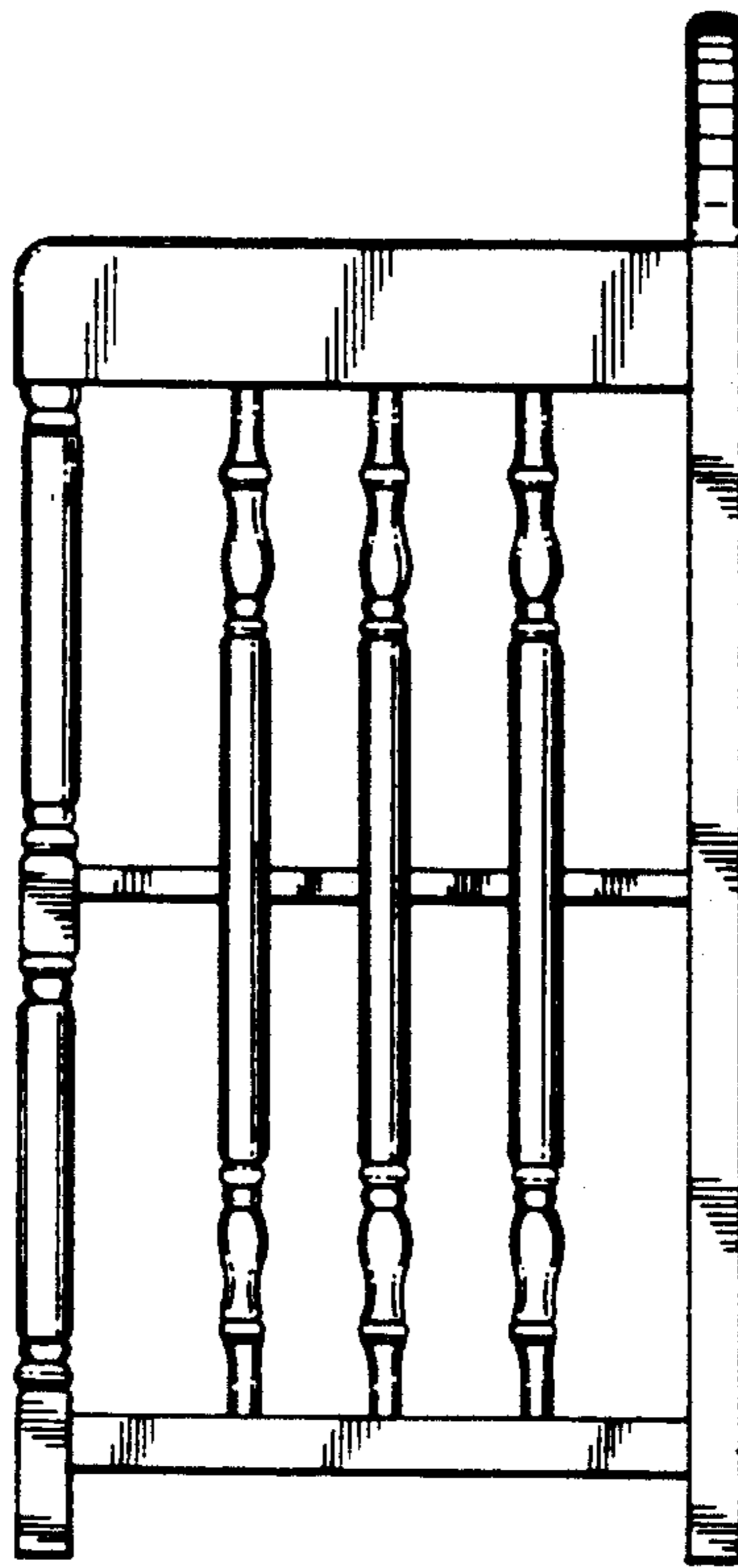


FIG. 3

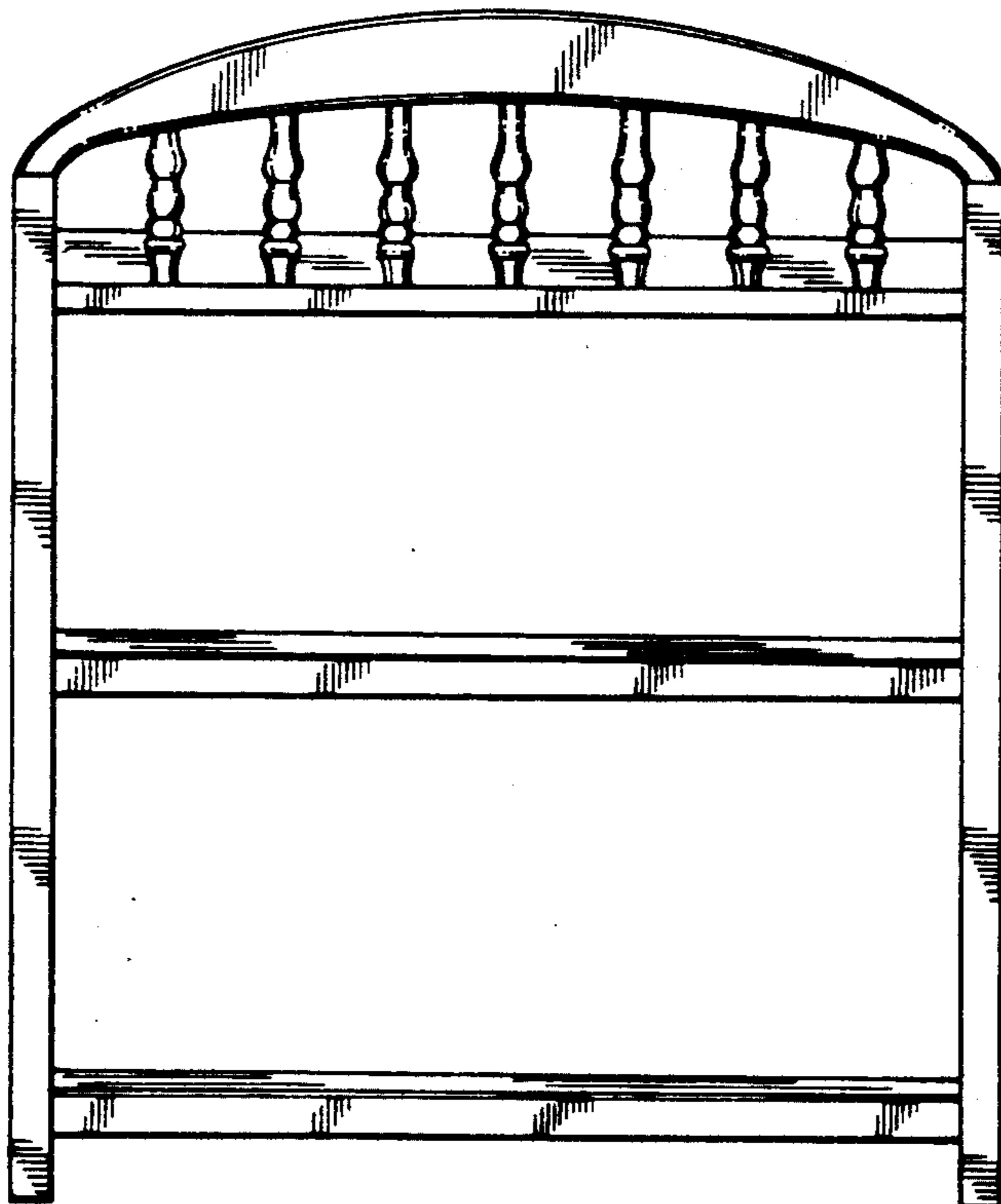


FIG. 4