



US00D331839S

United States Patent [19] Patrick

[11] Patent Number: **Des. 331,839**

[45] Date of Patent: **** Dec. 22, 1992**

[54] **BELT ATTACHED CARRYING CASE FOR A CASSETTE PLAYER**

[76] Inventor: **David J. Patrick**, 2003 Jane Ave., Columbus, Ohio 43219

[**] Term: **14 Years**

[21] Appl. No.: **439,523**

[22] Filed: **Nov. 21, 1989**

[52] U.S. Cl. **D3/100; D3/35**

[58] Field of Search **D3/33, 35, 100, 101, D3/104, 105, 106; 206/387; 224/224**

[56] **References Cited**

U.S. PATENT DOCUMENTS

- D. 216,940 3/1970 Stonedahl D3/100
- D. 252,353 8/1979 Cohee D3/33
- D. 257,080 9/1980 Schmidt D3/35
- D. 262,412 12/1981 Sibbett D3/33
- D. 263,987 4/1982 Milliman D3/100
- D. 306,800 3/1990 Yeager D3/100

- D. 307,823 5/1990 Cook, Jr. D3/35
- D. 308,291 6/1990 O'Neal D3/100

Primary Examiner—A. Hugo Word
Assistant Examiner—Celia A. Murphy
Attorney, Agent, or Firm—Leon Gilden

[57] **CLAIM**

The ornamental design for a belt attached carrying case for a cassette player, as shown and described.

DESCRIPTION

FIG. 1 is a front elevational view of the belt attached carrying case for a cassette player showing my new design;

FIG. 2 is a rear elevational view thereof;

FIG. 3 is a left side elevational view thereof;

FIG. 4 is a right side elevational view thereof;

FIG. 5 is a top plan view thereof;

FIG. 6 is a bottom plan view thereof;

FIG. 7 is a front perspective view thereof; and,

FIG. 8 is a rear perspective view thereof.

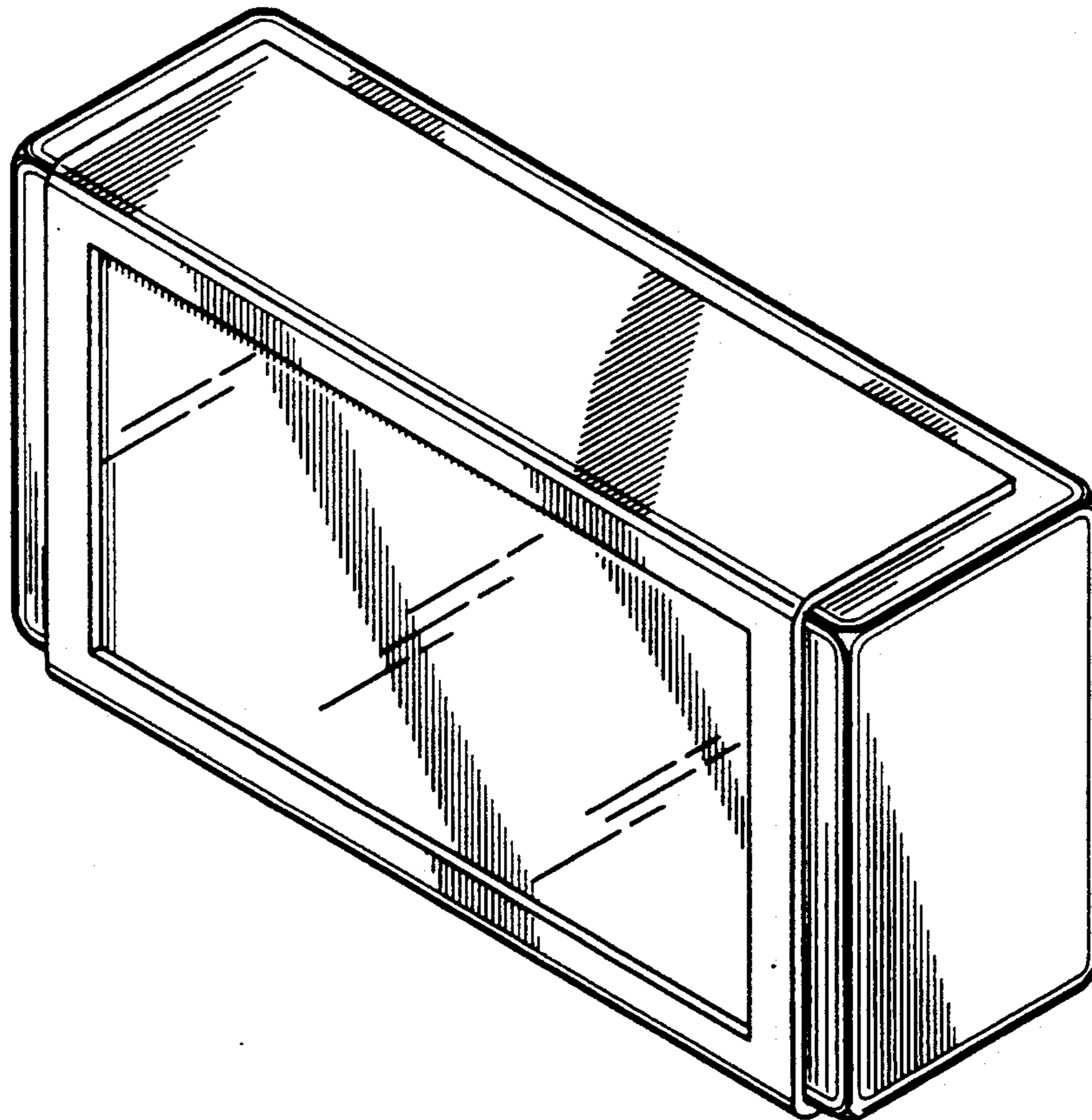


FIG. 1

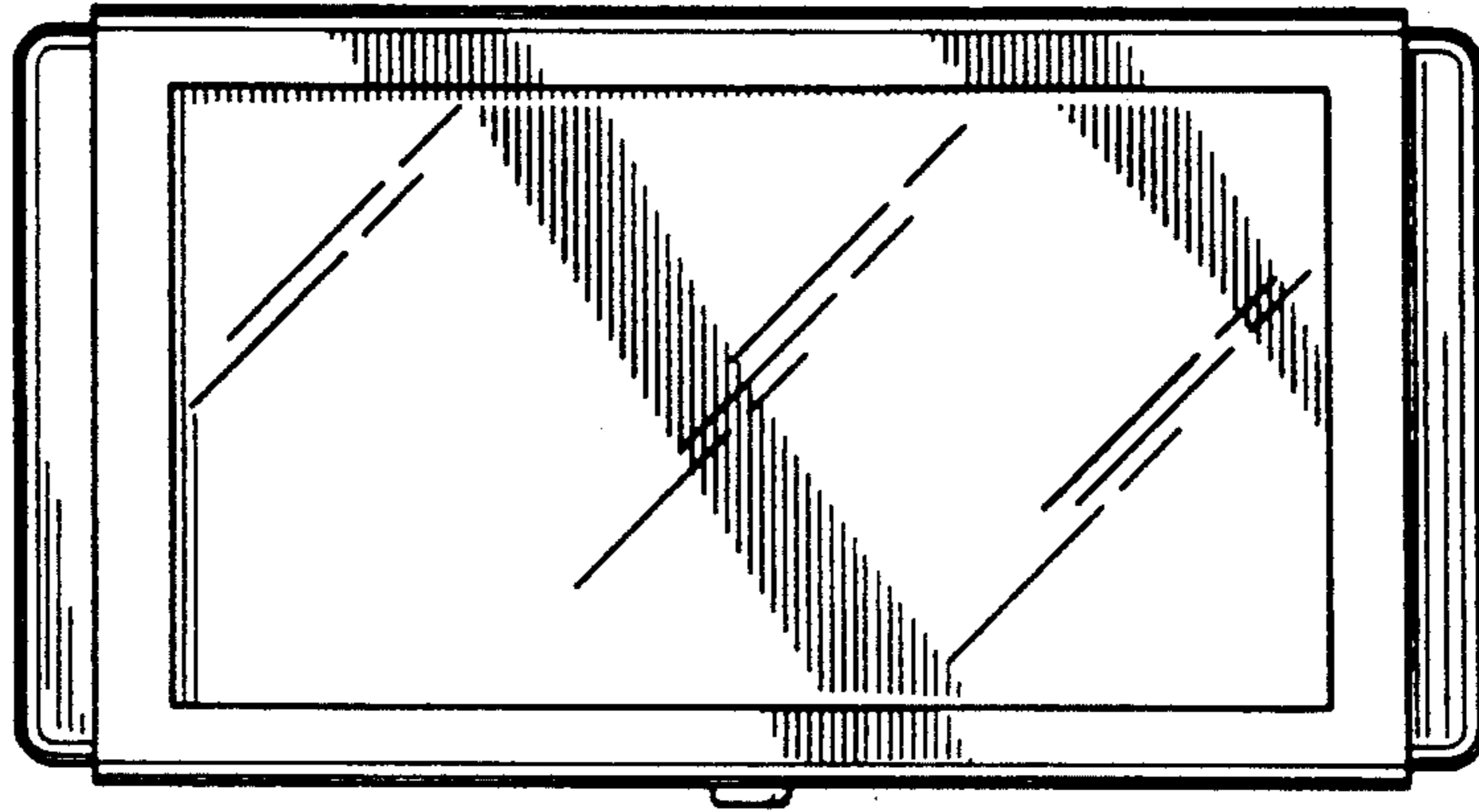


FIG. 2

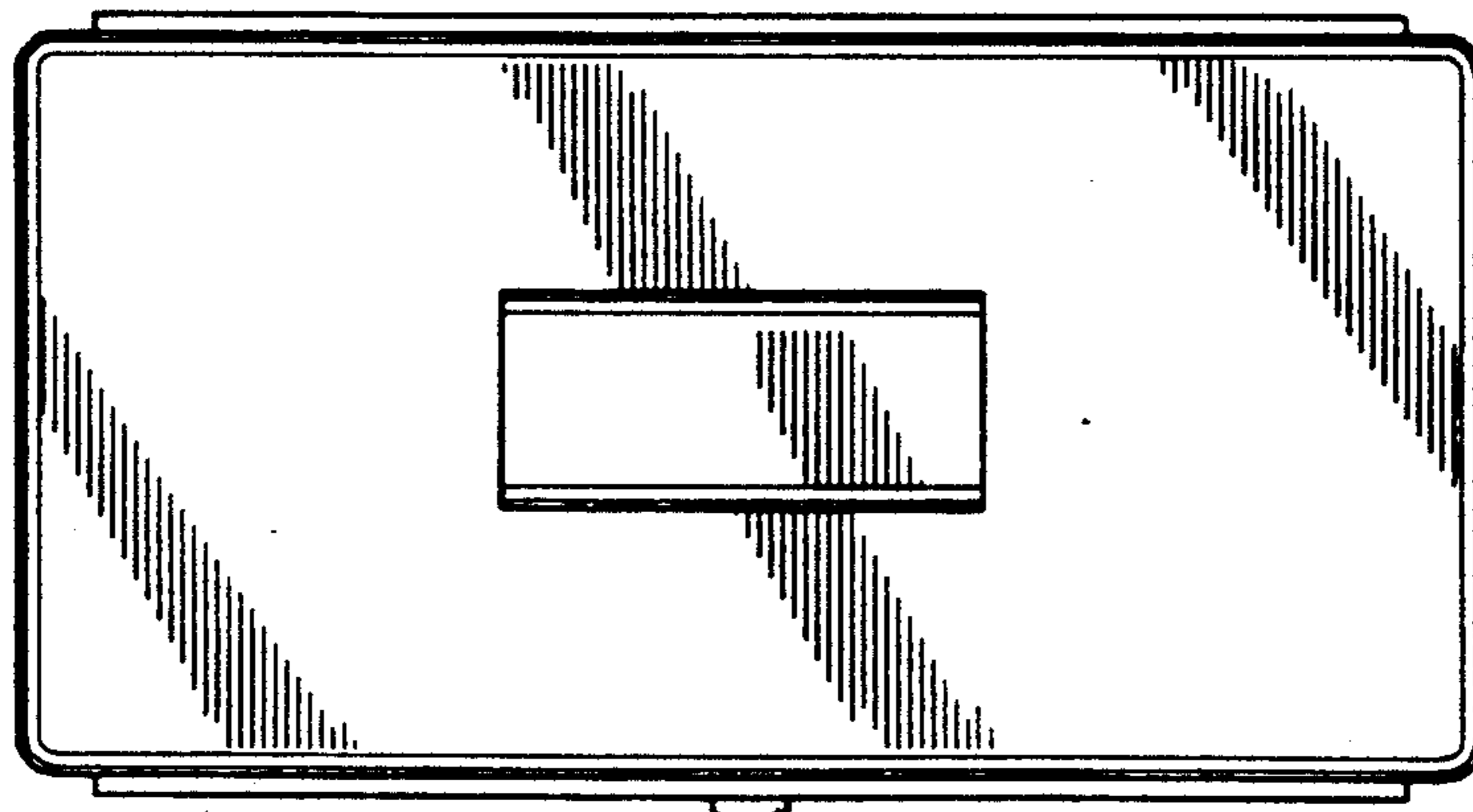


FIG. 3

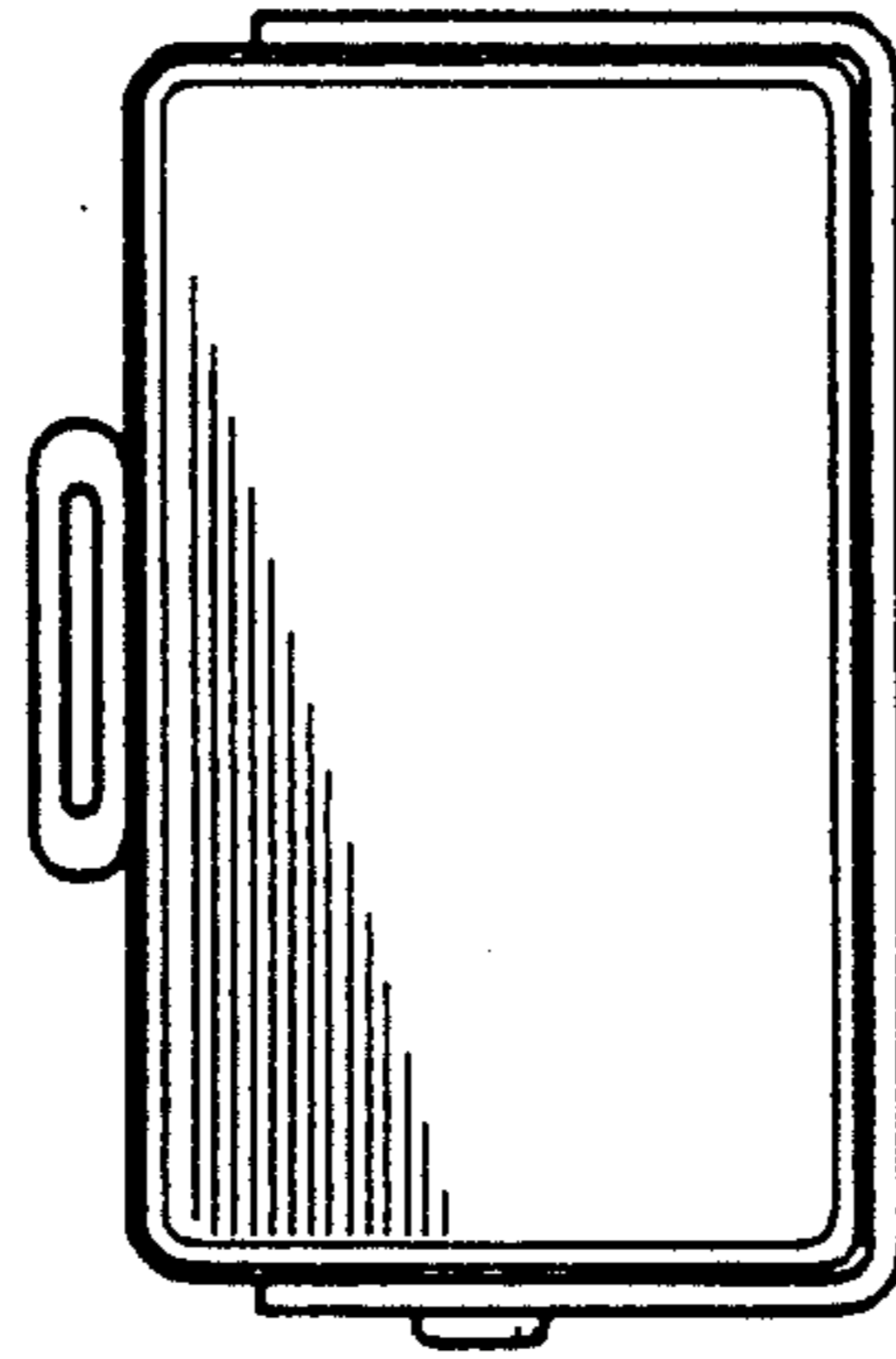


FIG. 4

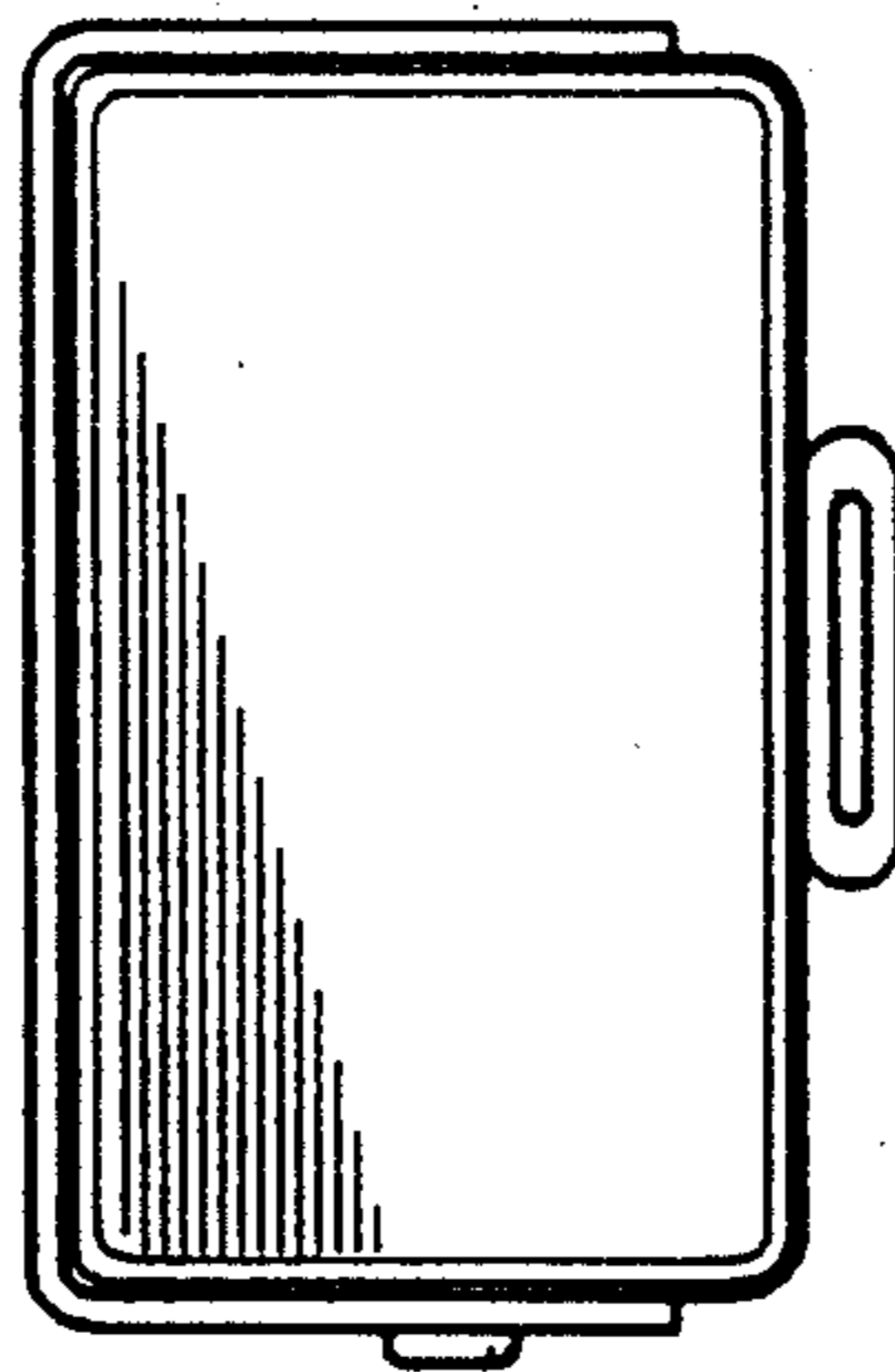


FIG. 5

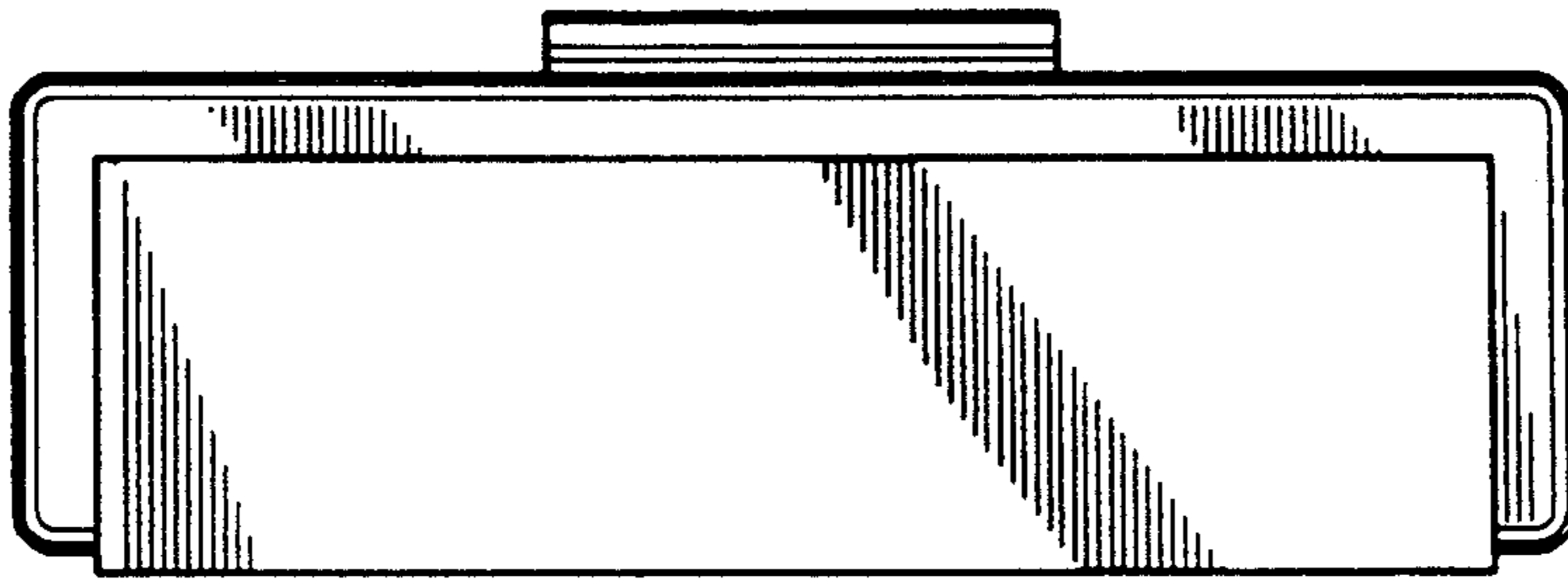


FIG. 6

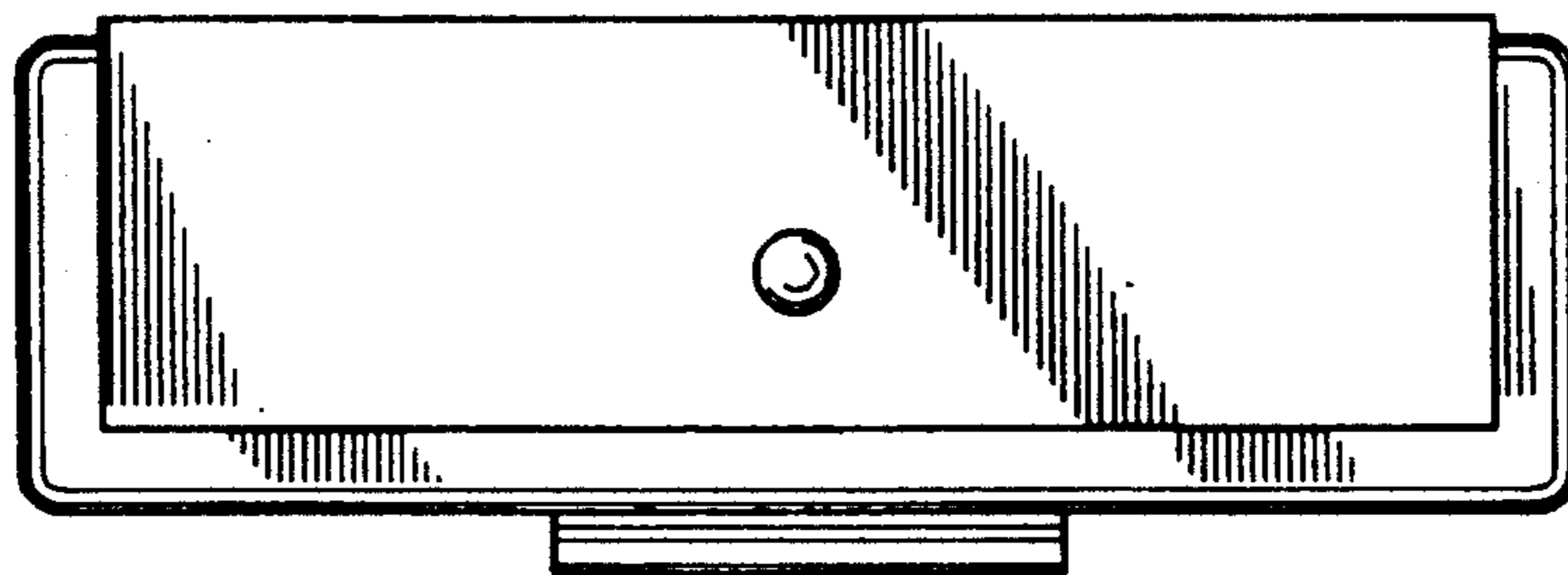


FIG. 7

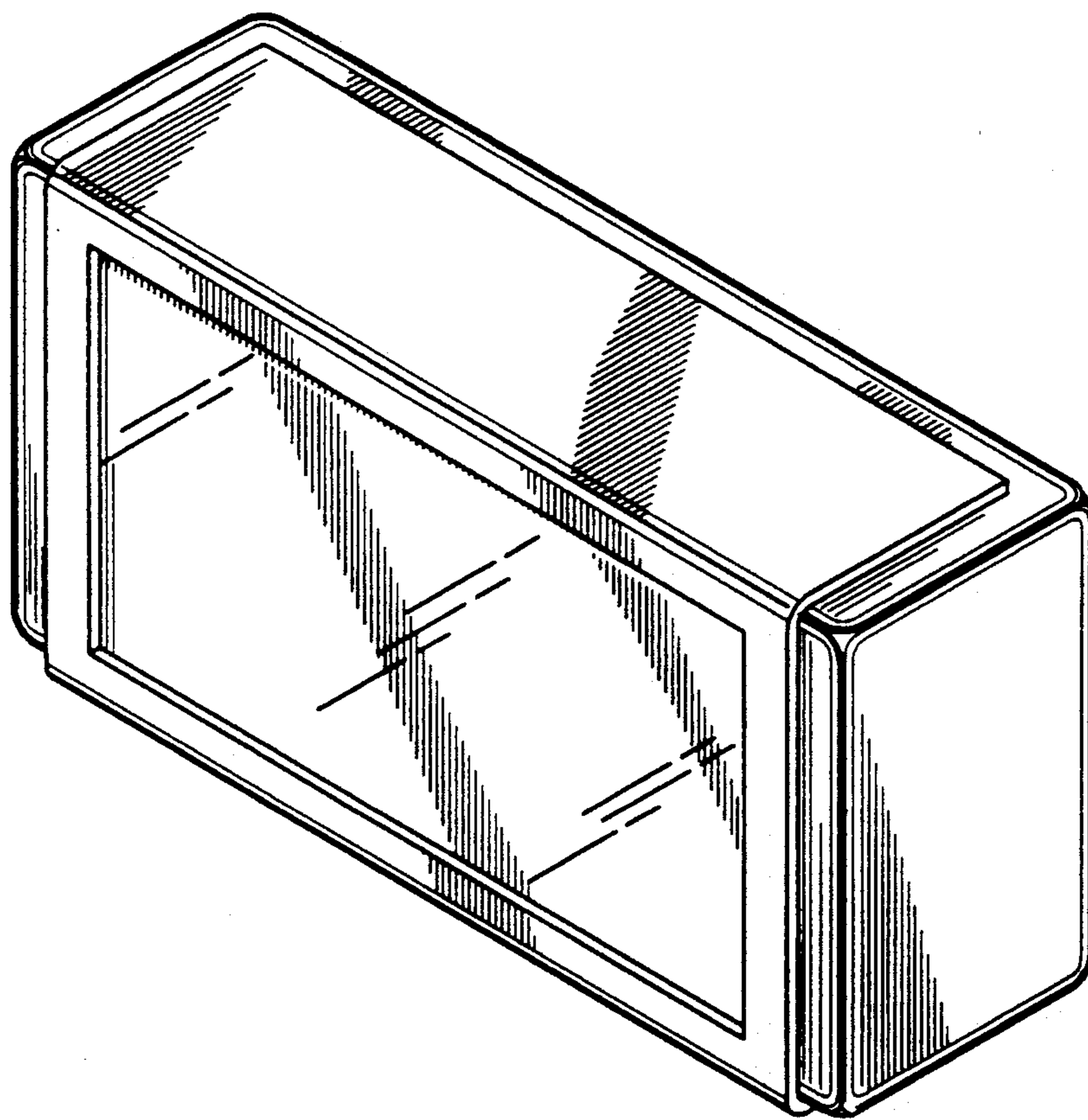


FIG. 8

