



US00D331838S

United States Patent [19]
Bureau

[11] **Patent Number: Des. 331,838**
[45] **Date of Patent: ** Dec. 22, 1992**

[54] **PORTABLE CASE**
[75] **Inventor: Philippe Buteau, Rueil Malmaison, France**
[73] **Assignee: Hello, Metz, France**
[**] **Term: 14 Years**
[21] **Appl. No.: 553,675**
[22] **Filed: Jul. 13, 1990**

2,780,385 2/1957 Tupper 220/352 X
3,009,564 11/1961 Geloso 220/352 X
3,082,903 3/1963 Stevens et al. 220/352 X
4,499,353 2/1985 Shields 220/352 X
4,512,474 4/1985 Harding 220/306 X
4,709,815 12/1987 Price et al. 206/387

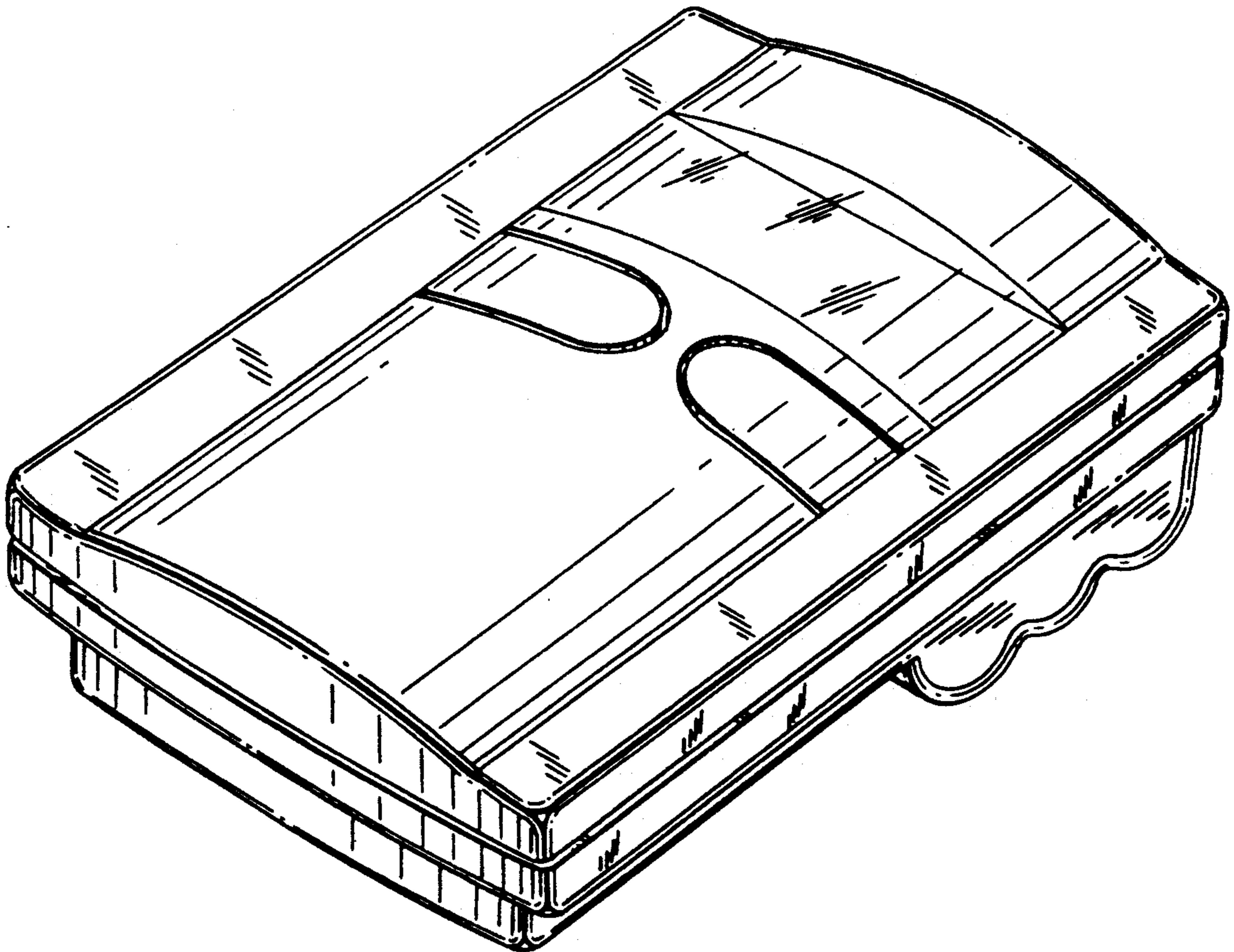
Primary Examiner—A. Hugo Word
Assistant Examiner—Paula A. Mortimer
Attorney, Agent, or Firm—Roland Plottel

[30] **Foreign Application Priority Data**
Jan. 16, 1990 [FR] France 90 0266
[52] **U.S. Cl. D3/78**
[58] **Field of Search D3/76, 78; 206/387, 206/349, 350, 351, 425, 444, 45.23, 45.2, 54; 220/335, 334, 338, 337, 4.22, 306, 356; 312/193**

[57] **CLAIM**
The ornamental design for a portable case, as shown and described.

[56] **References Cited**
U.S. PATENT DOCUMENTS
D. 284,204 6/1986 Kirchner D3/78 X
2,689,060 9/1954 Katzman 220/356

DESCRIPTION
FIG. 1 is a front elevational view of a portable case showing my new design;
FIG. 2 is a right side elevational view thereof;
FIG. 3 is a left side elevational view thereof;
FIG. 4 is a top plan view thereof;
FIG. 5 is a rear elevational view thereof;
FIG. 6 is a bottom plan view thereof; and,
FIG. 7 is a perspective view thereof.



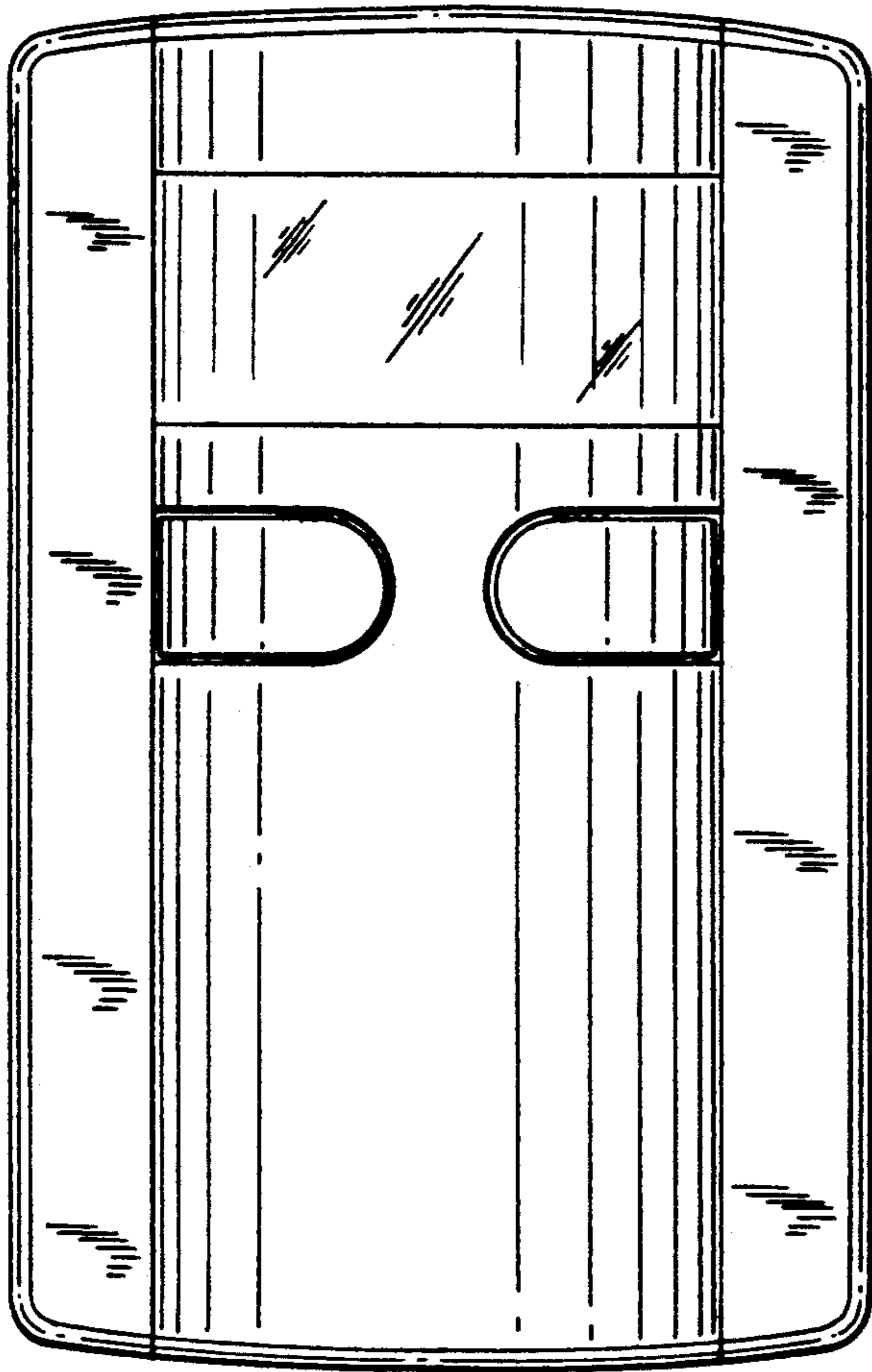


FIG. 1

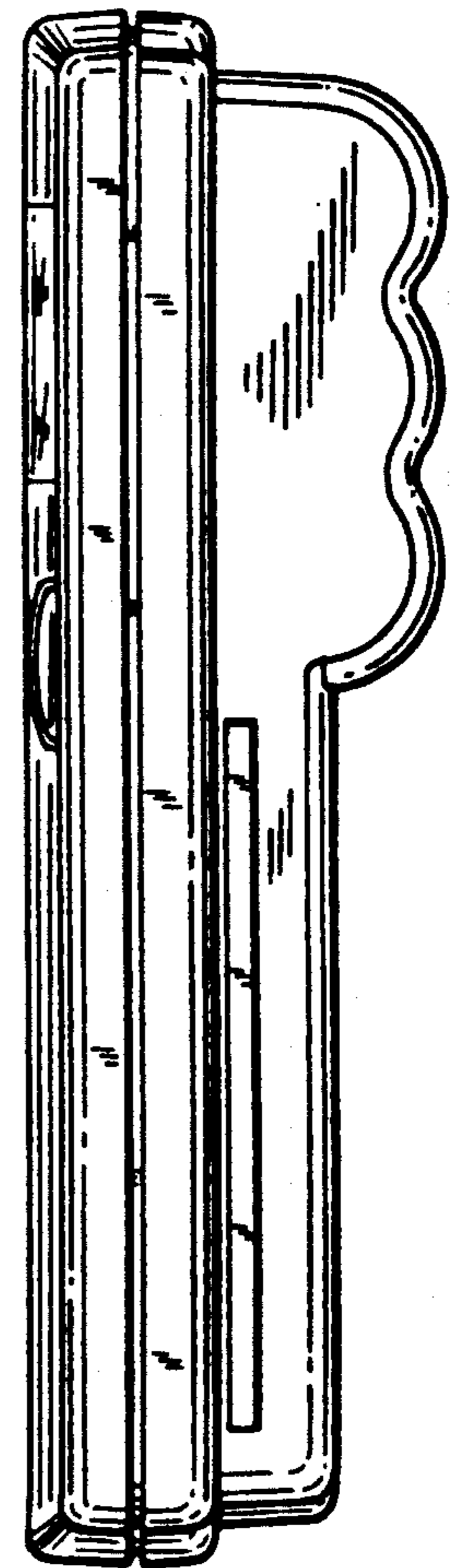


FIG. 2

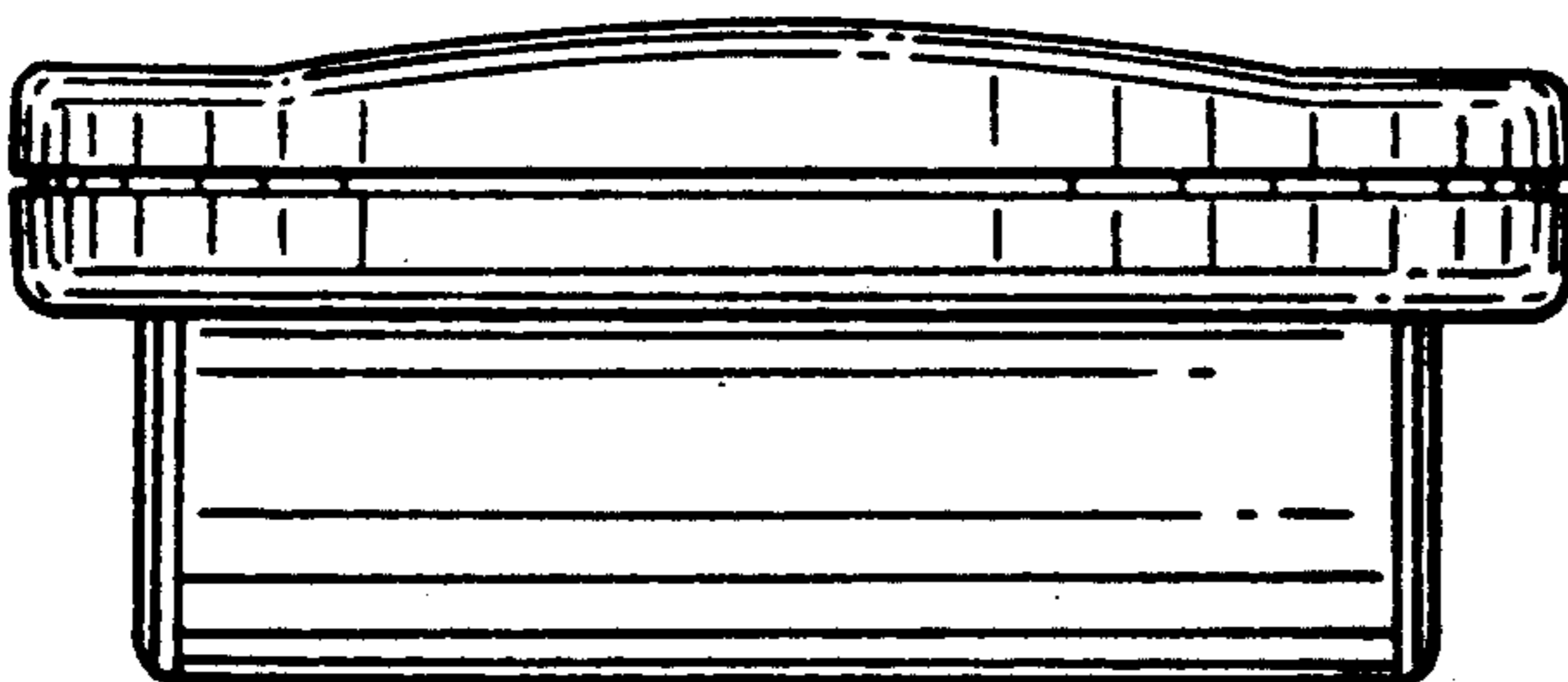


FIG. 4

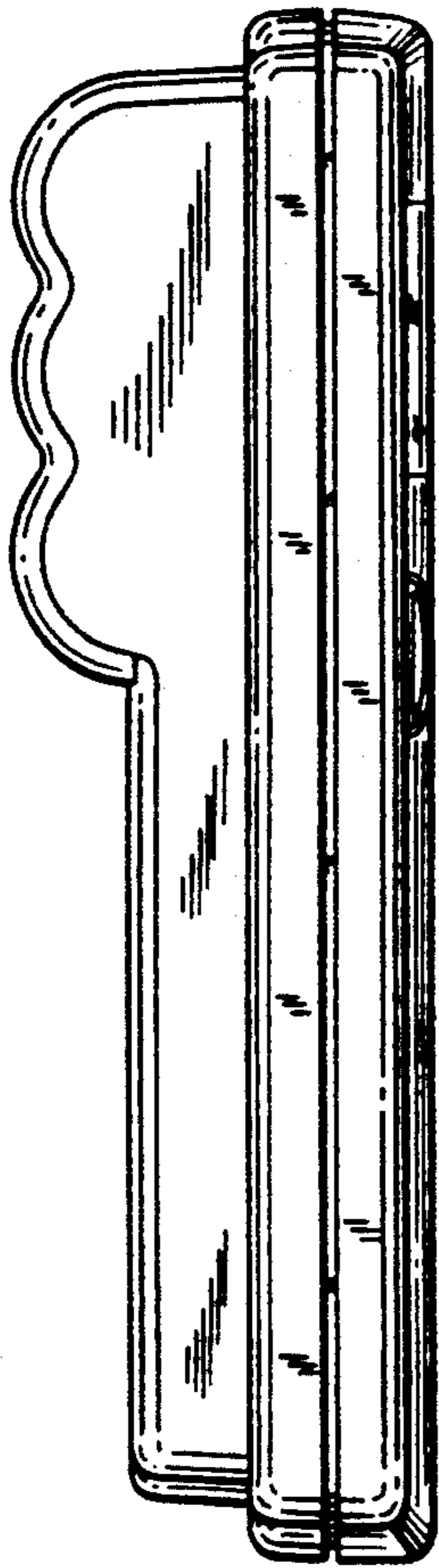


FIG. 3

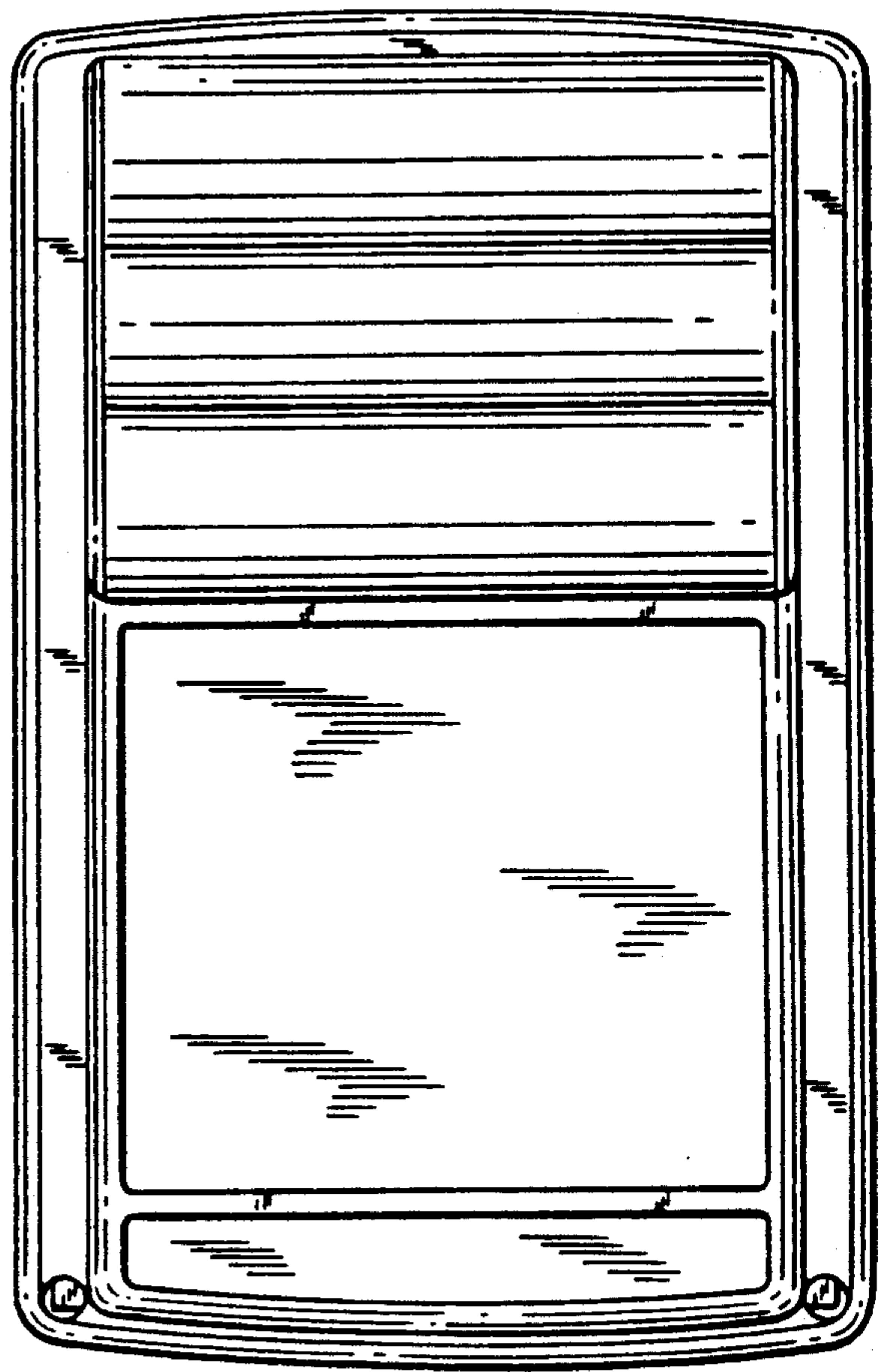


FIG. 5

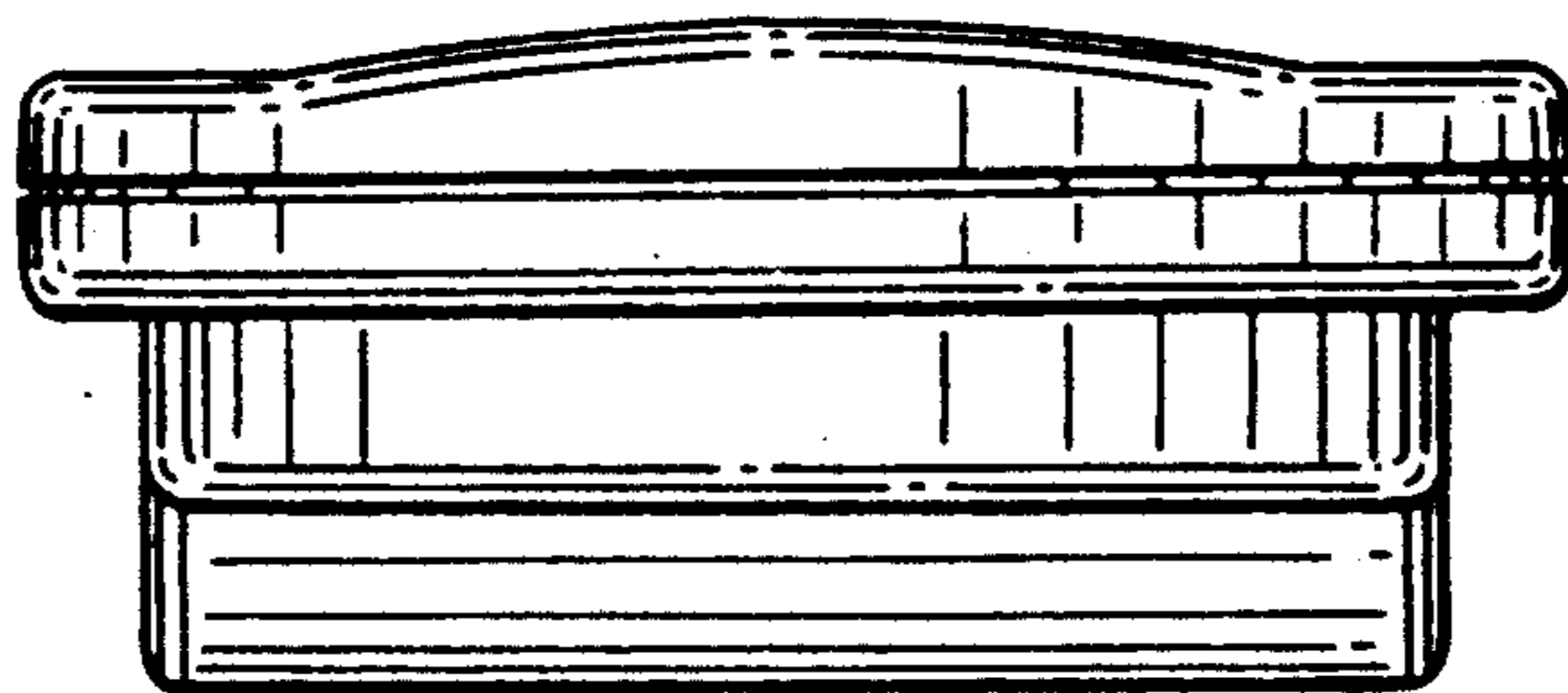


FIG. 6

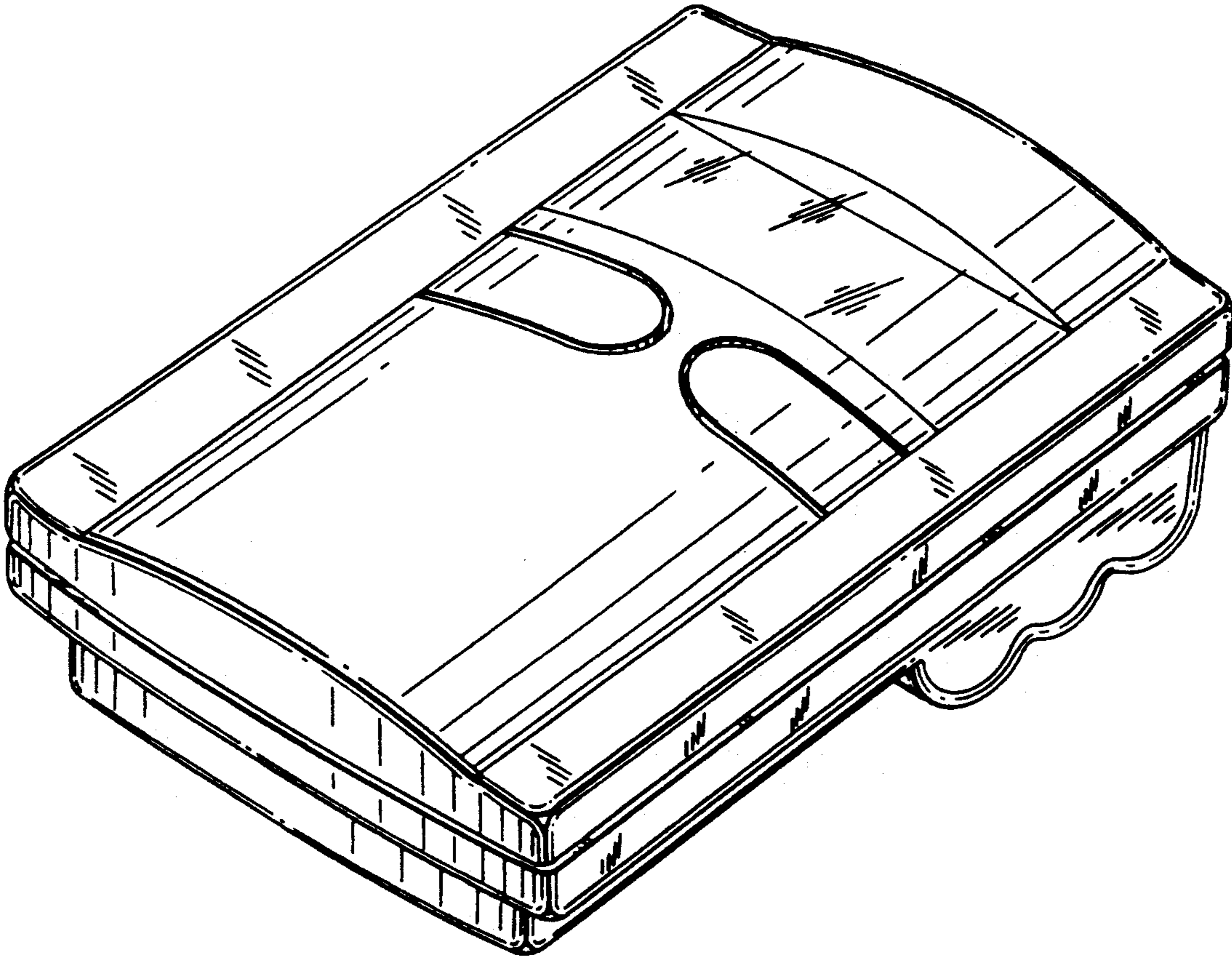


FIG. 7