



US00D331824S

**United States Patent** [19]  
**Haas**

[11] **Patent Number: Des. 331,824**  
[45] **Date of Patent: \*\* Dec. 15, 1992**

[54] **COMBINED LITTER RECEPTACLES AND POST THEREFOR**

[76] **Inventor: Philip C. Haas, R.D. #2 - Box 59, Kempton, Pa. 18529**

[\*\*] **Term: 14 Years**

[21] **Appl. No.: 847,815**

[22] **Filed: Mar. 6, 1992**

**Related U.S. Application Data**

[62] **Division of Ser. No. 222,741, Jul. 22, 1988, abandoned.**

[52] **U.S. Cl. .... D34/6; D34/5**

[58] **Field of Search ..... D34/1, 5, 4, 7, 8; 220/908, 909, 404, 403; 232/1 R**

[56] **References Cited**

**U.S. PATENT DOCUMENTS**

|            |         |        |       |         |
|------------|---------|--------|-------|---------|
| D. 299,773 | 2/1989  | Kracke | ..... | D34/7   |
| 512,261    | 1/1894  | Nailor | ..... | 220/262 |
| 1,237,016  | 8/1917  | Brown  | ..... | D34/8   |
| 4,874,111  | 10/1989 | Heller | ..... | 220/404 |

*Primary Examiner—Kay H. Chin*

*Attorney, Agent, or Firm—O'Keefe & Wilkinson*

[57] **CLAIM**

The ornamental design for combined litter receptacles and post therefor, as shown and described.

**DESCRIPTION**

FIG. 1 is a top front perspective view of a combined litter receptacles and post therefor showing my new design, showing the trash liners inserted in the litter receptacles;

FIG. 2 is a top plan view thereof;

FIG. 3 is a left side elevational view thereof, the front elevational view being a mirror image of that shown;

FIG. 4 is a rear elevational view thereof;

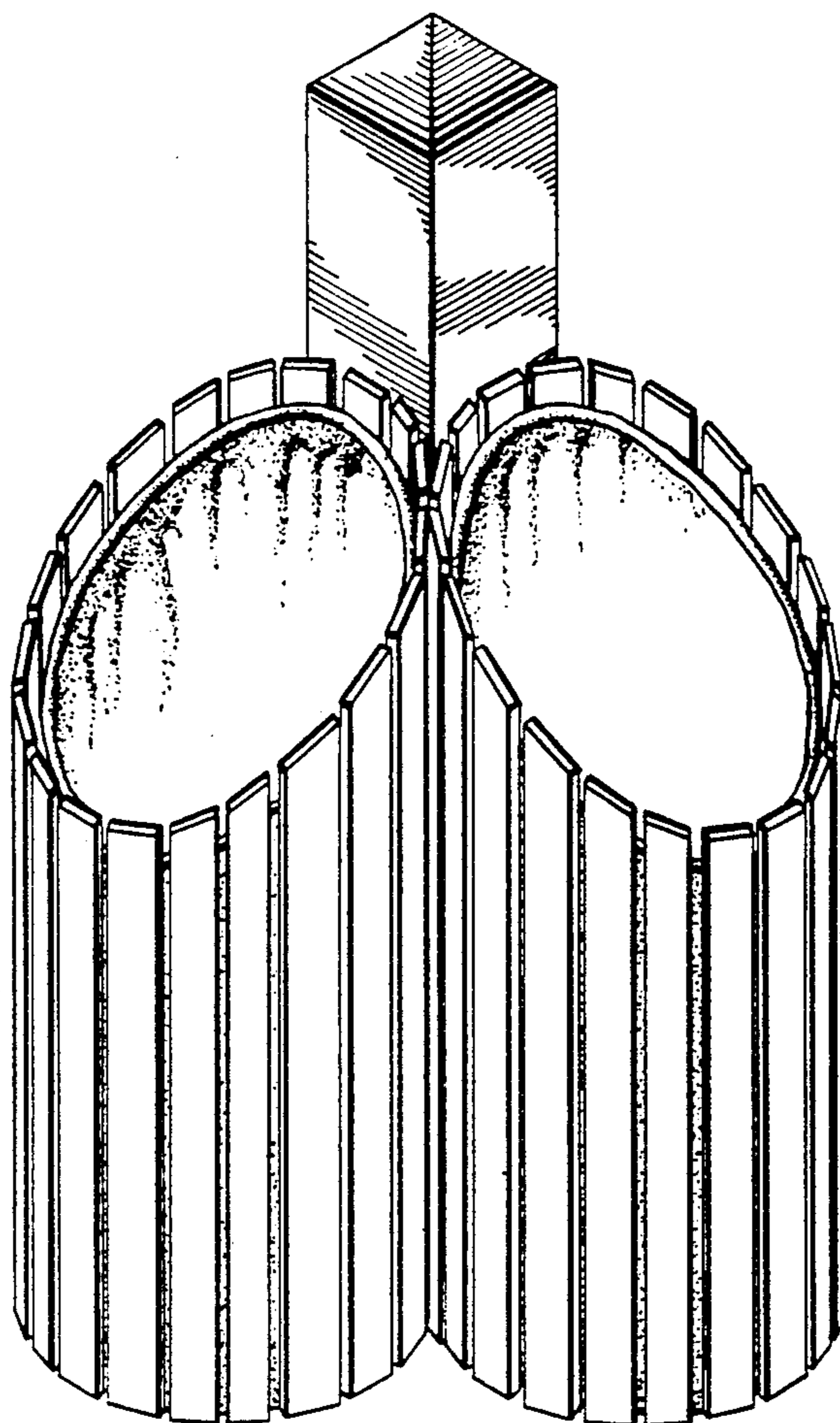
FIG. 5 is a right side elevational view thereof;

FIG. 6 is a top perspective view of a second embodiment of the combined litter receptacles and post therefor, showing the trash liners inserted in the litter receptacles;

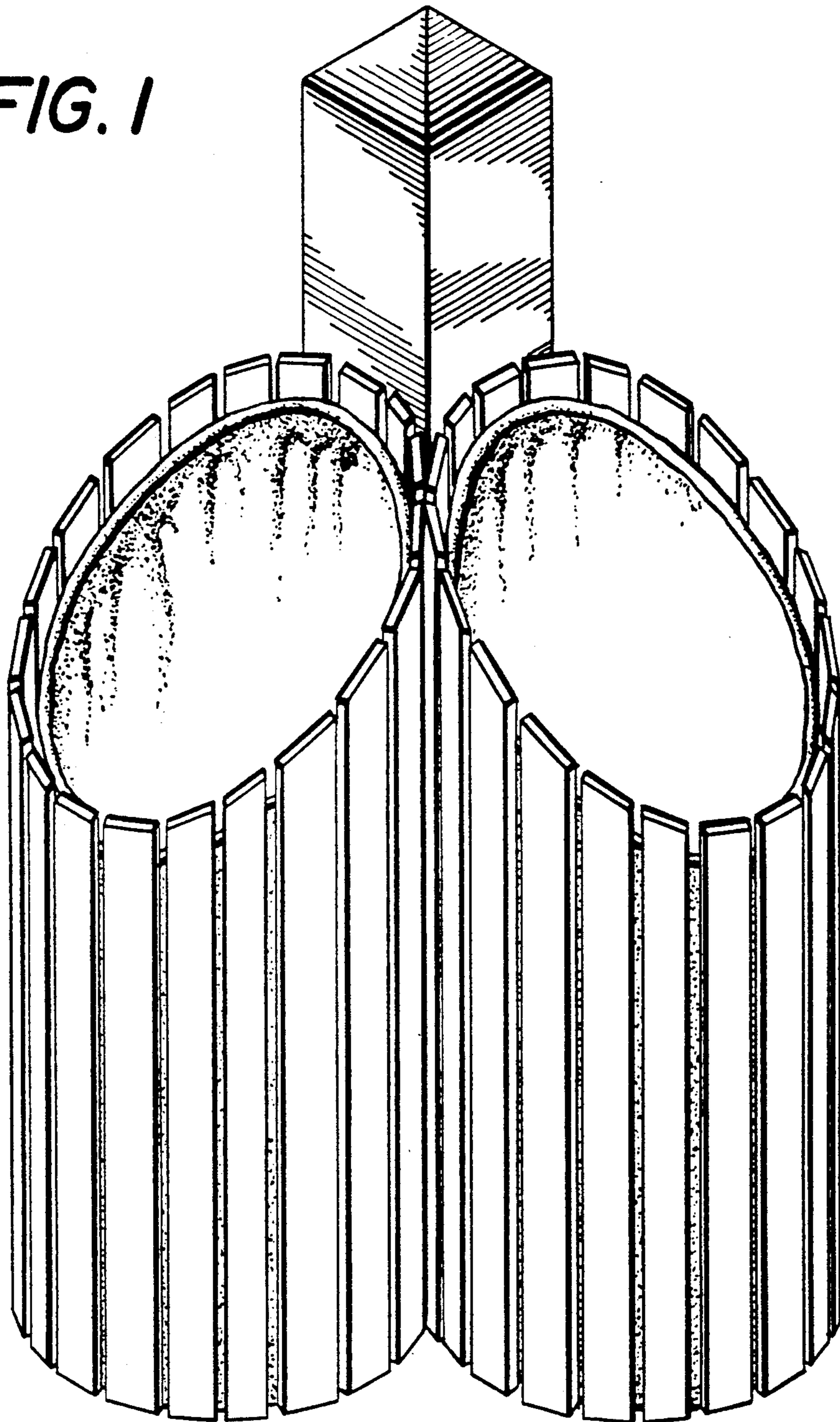
FIG. 7 is a top plan view of FIG. 6;

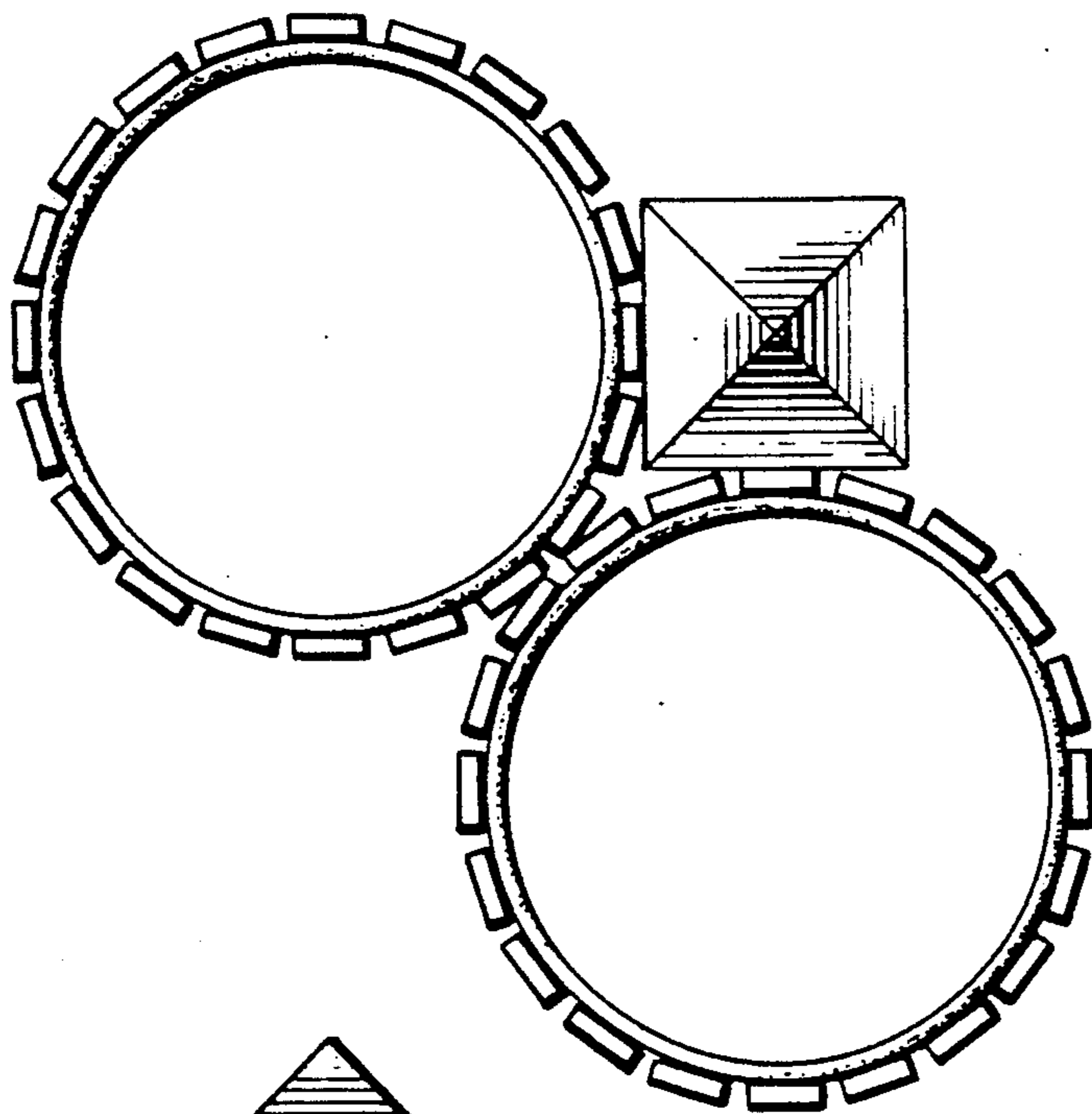
FIG. 8 is a side elevational view of FIG. 6, the opposite side elevational view being a mirror image of that shown; and,

FIG. 9 is a rear elevational view thereof.

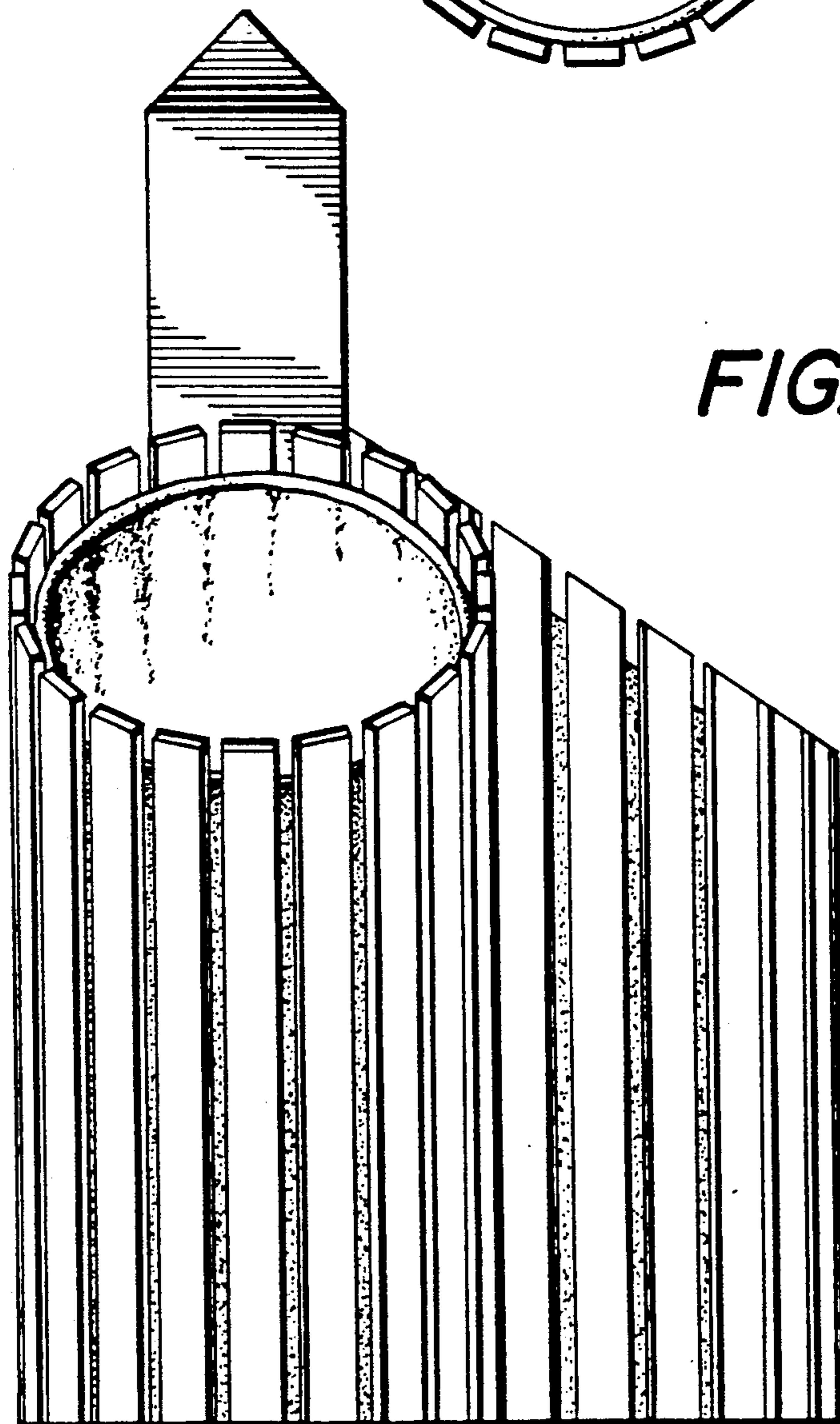


**FIG. 1**





*FIG. 2*



*FIG. 3*



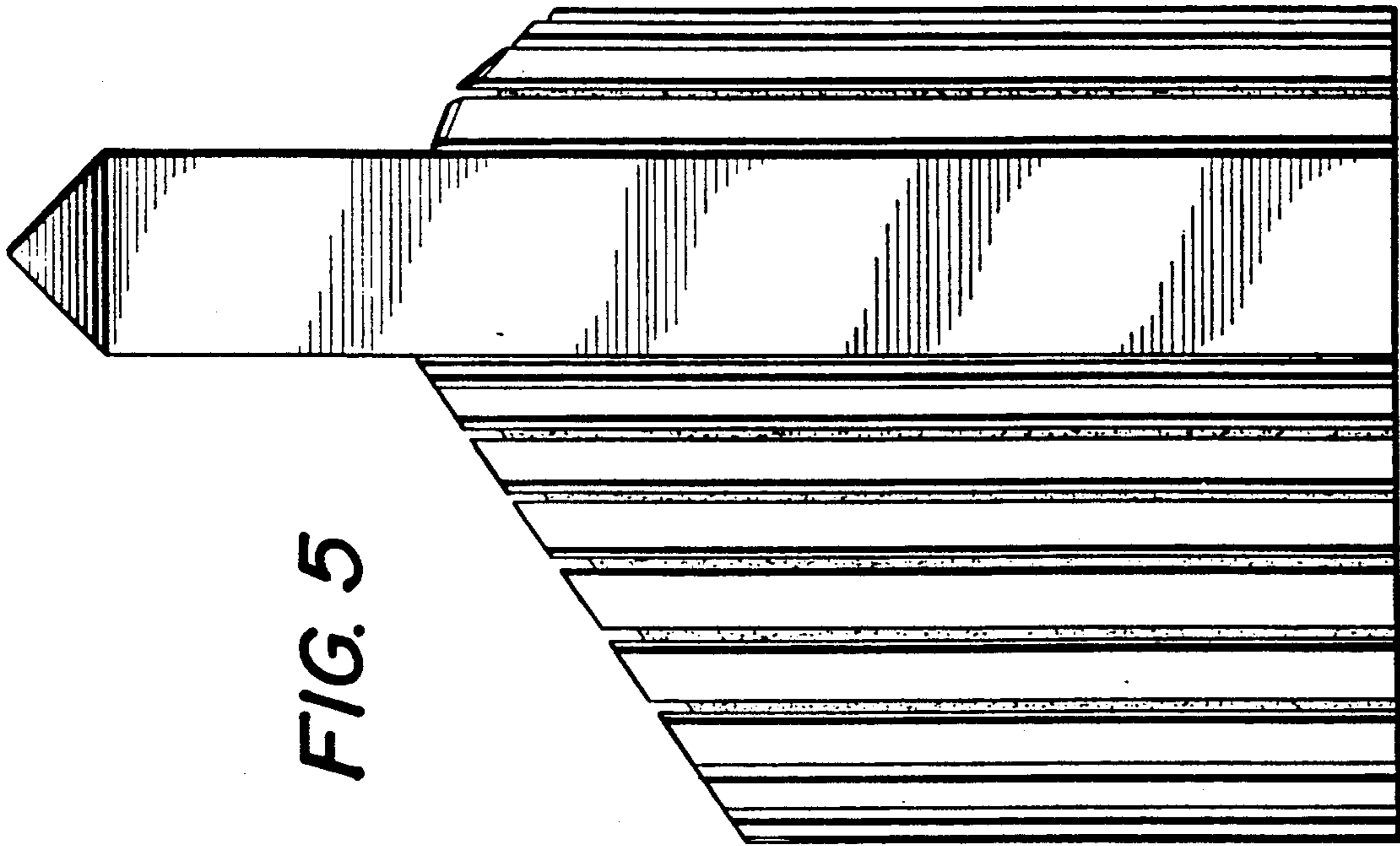


FIG. 5

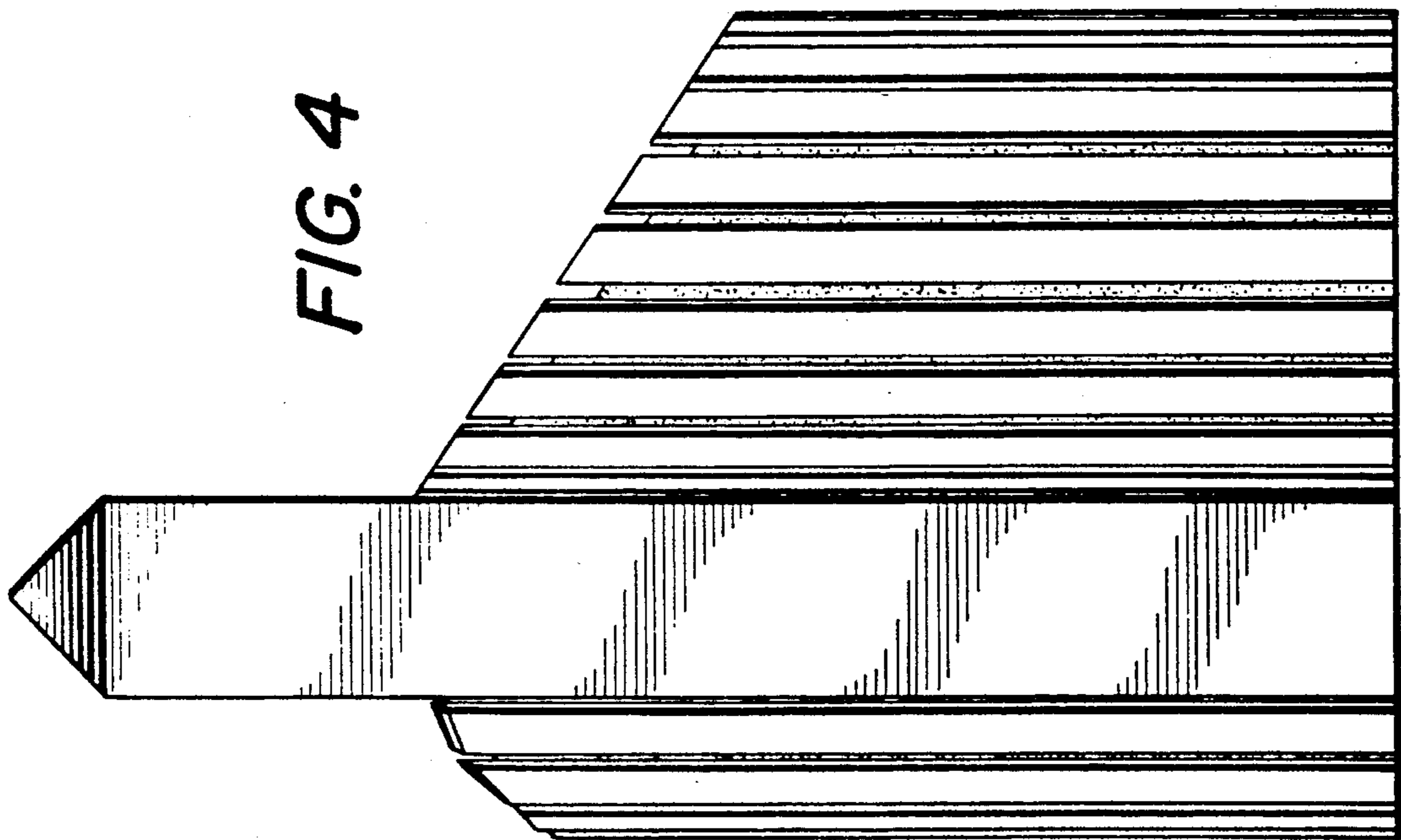
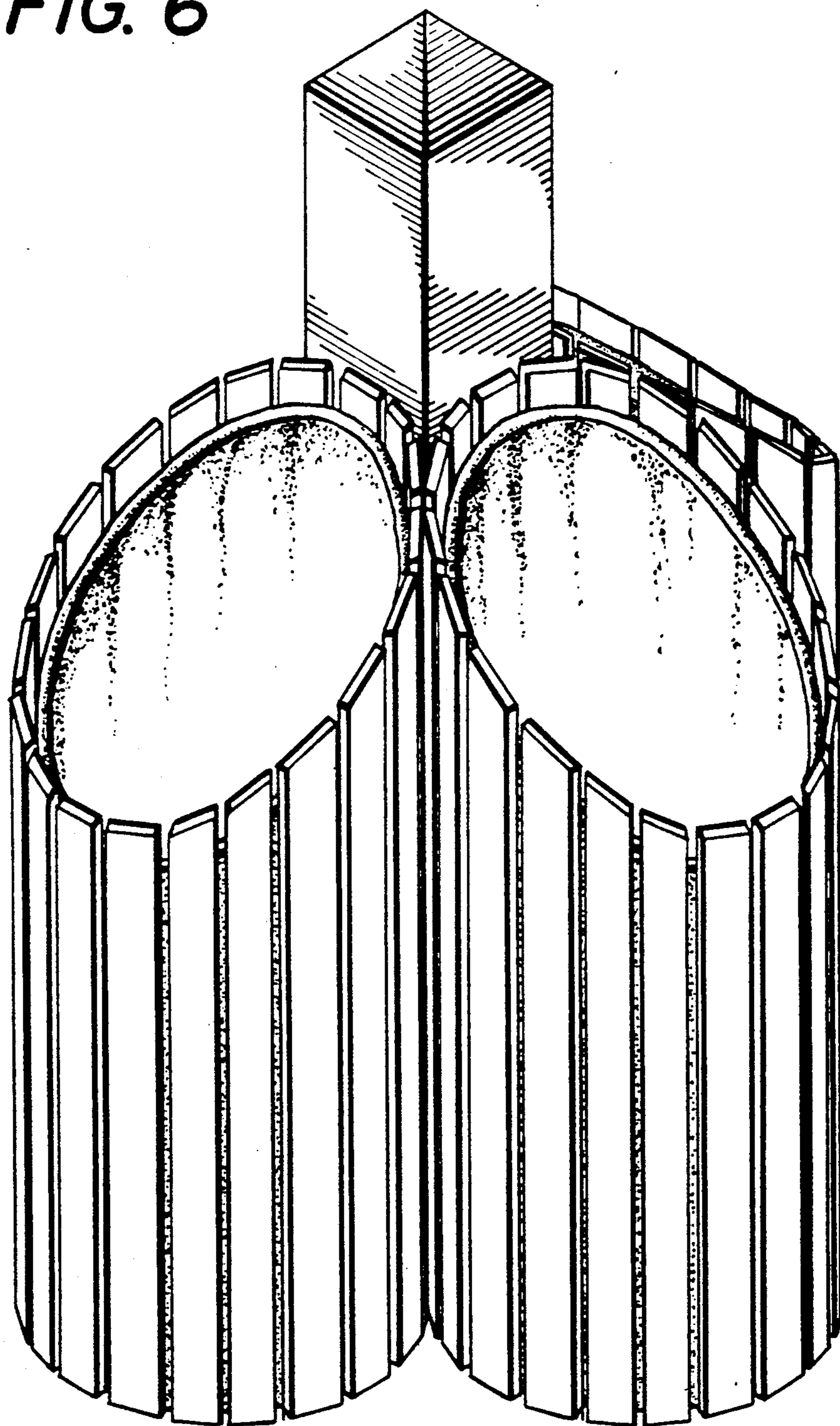
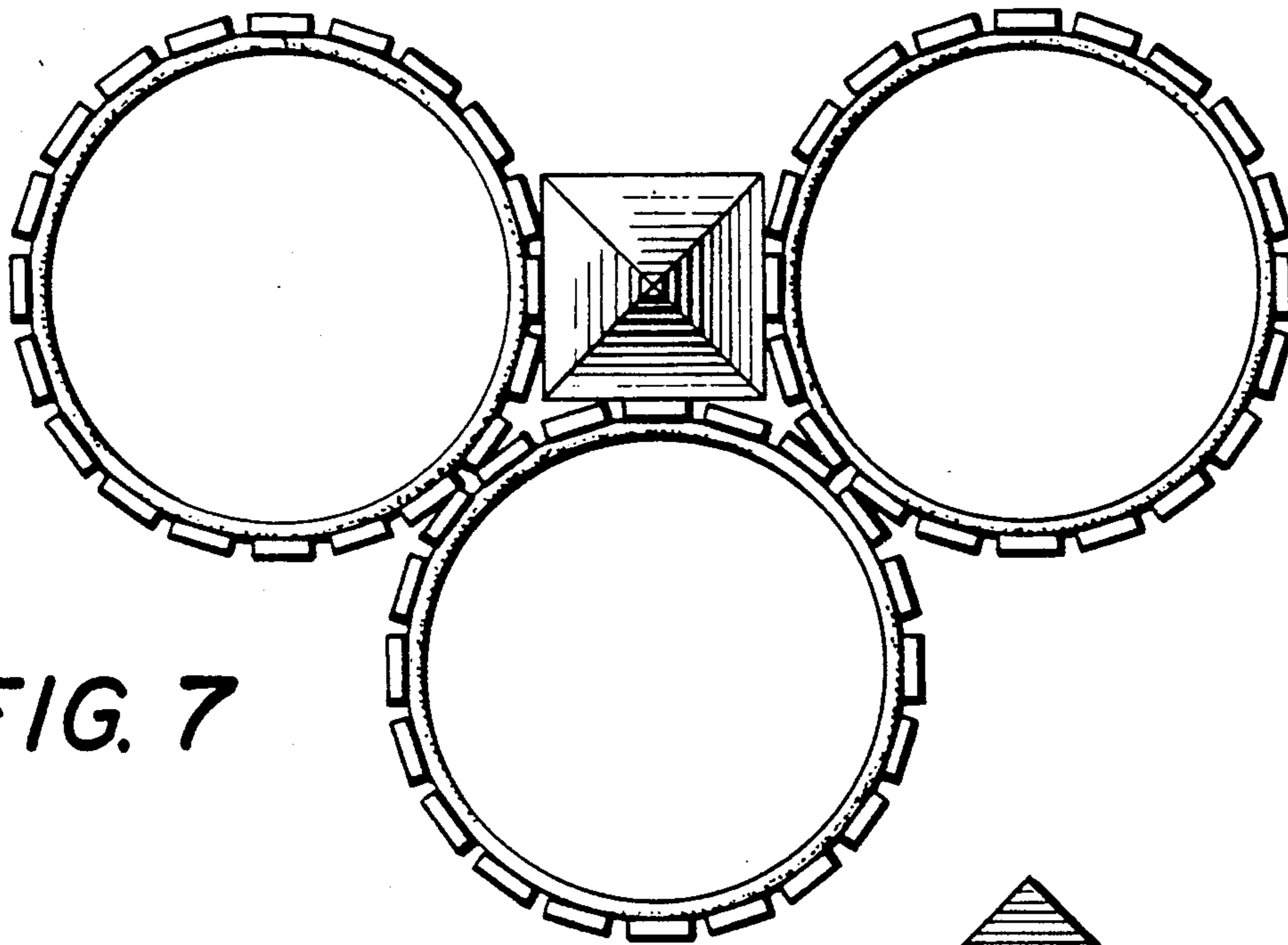


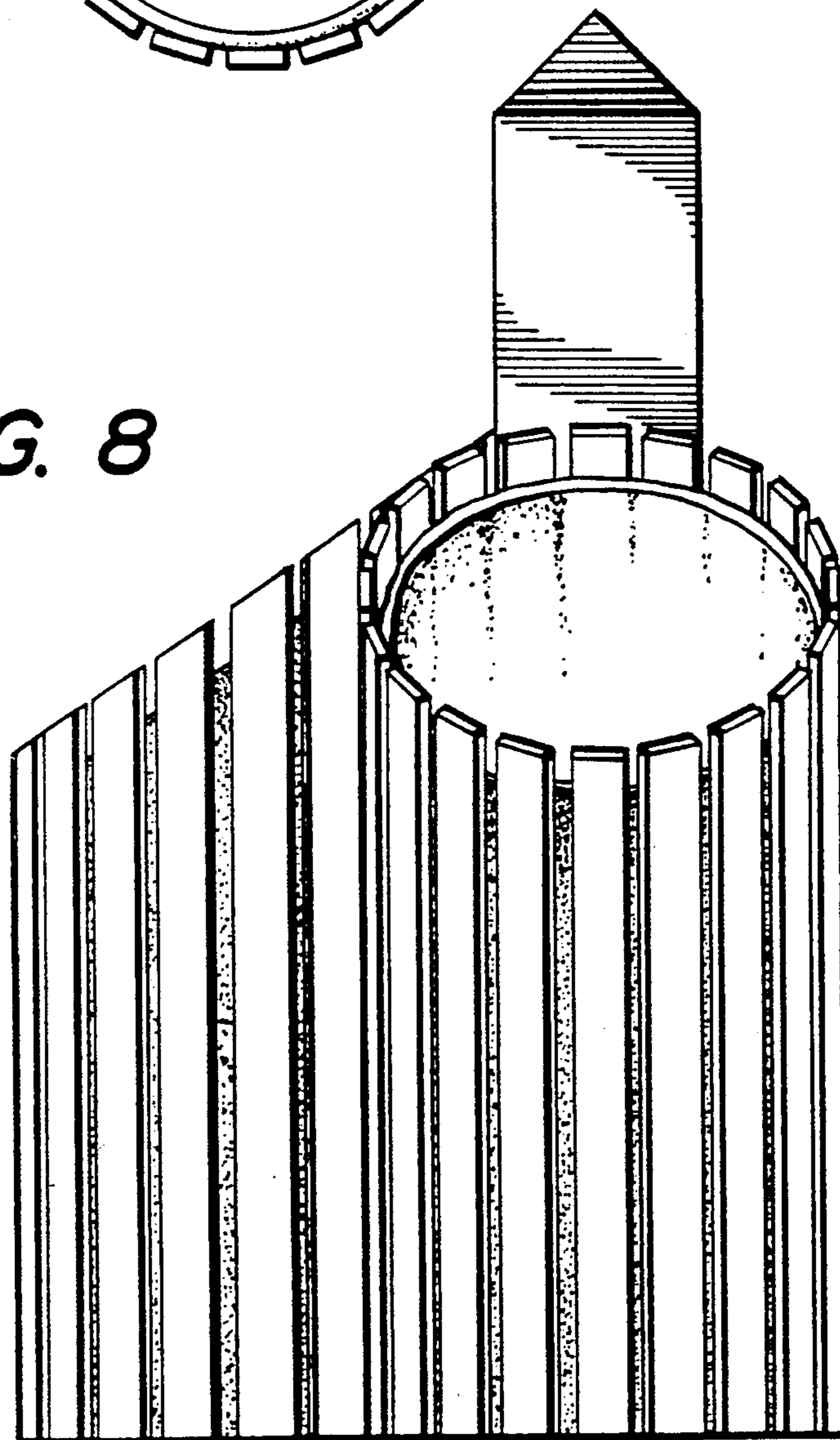
FIG. 4

**FIG. 6**





*FIG. 7*



*FIG. 8*

*FIG. 9*

