



US00D331814S

# United States Patent [19]

[11] Patent Number: **Des. 331,814**

Meck et al.

[45] Date of Patent: **\*\* Dec. 15, 1992**

[54] TABLE LAMP

[75] Inventors: **Leslie A. Meck, Blandon; N. Peter Pattersson, Bernville; John Lehn, Reading; Peter S. Fayerman, Gladwyn; Michael J. Becker, Lansdale, all of Pa.**

[73] Assignee: **Baldwin Hardware Corporation, Reading, Pa.**

[\*\*] Term: **14 Years**

[21] Appl. No.: **595,948**

[22] Filed: **Oct. 10, 1990**

[52] U.S. Cl. .... **D26/109**

[58] Field of Search ..... **D26/93, 102-112; 362/410-414, 806**

[56] **References Cited**

**U.S. PATENT DOCUMENTS**

D. 318,743 7/1991 Meck et al. .... D26/109

**OTHER PUBLICATIONS**

Home Lighting & Accessories, Mar. 1988, p. 44, Signature Lighting Corp. Table Lamp (top)-pleated shade.  
Hong Kong Enterprise, Jul. 1987, p. 50-Table Lamp (top, left).

Murray Feiss Lamp Catalog, Jan. 1988, p. L9 Table Lamp #7951.

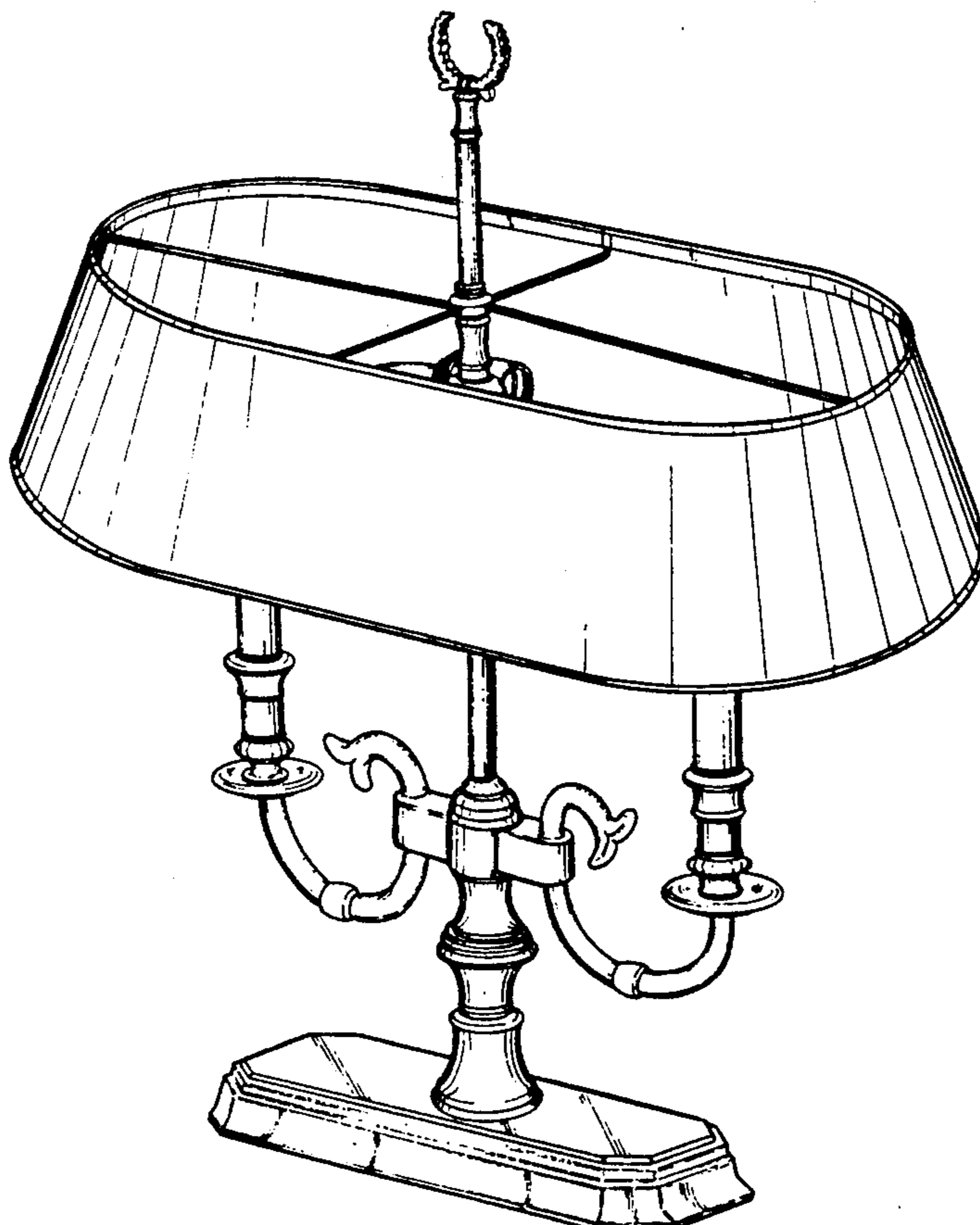
*Primary Examiner*—Susan J. Lucas  
*Attorney, Agent, or Firm*—Myron B. Kapustij; Malcolm L. Sutherland

[57] **CLAIM**

The ornamental design for a table lamp, as shown and described.

**DESCRIPTION**

FIG. 1 is a front perspective view of a table lamp showing our new design;  
FIG. 2 is a front elevational view thereof, the rear being a mirror image;  
FIG. 3 is a side elevational view thereof, the opposite side being a mirror image;  
FIG. 4 is an enlarged cross-sectional view thereof as taken along line 4—4 of FIG. 2;  
FIG. 5 is a greatly enlarged cross-sectional view thereof as taken along line 5—5 of FIG. 3;  
FIG. 6 is an enlarged cross-sectional view thereof as taken along line 6—6 of FIG. 2;  
FIG. 7 is a top plan view thereof;  
FIG. 8 is a front perspective view of a second embodiment of our new design, the second embodiment differing from the first only in the configuration of the shade; and,  
FIG. 9 is a top plan view thereof.



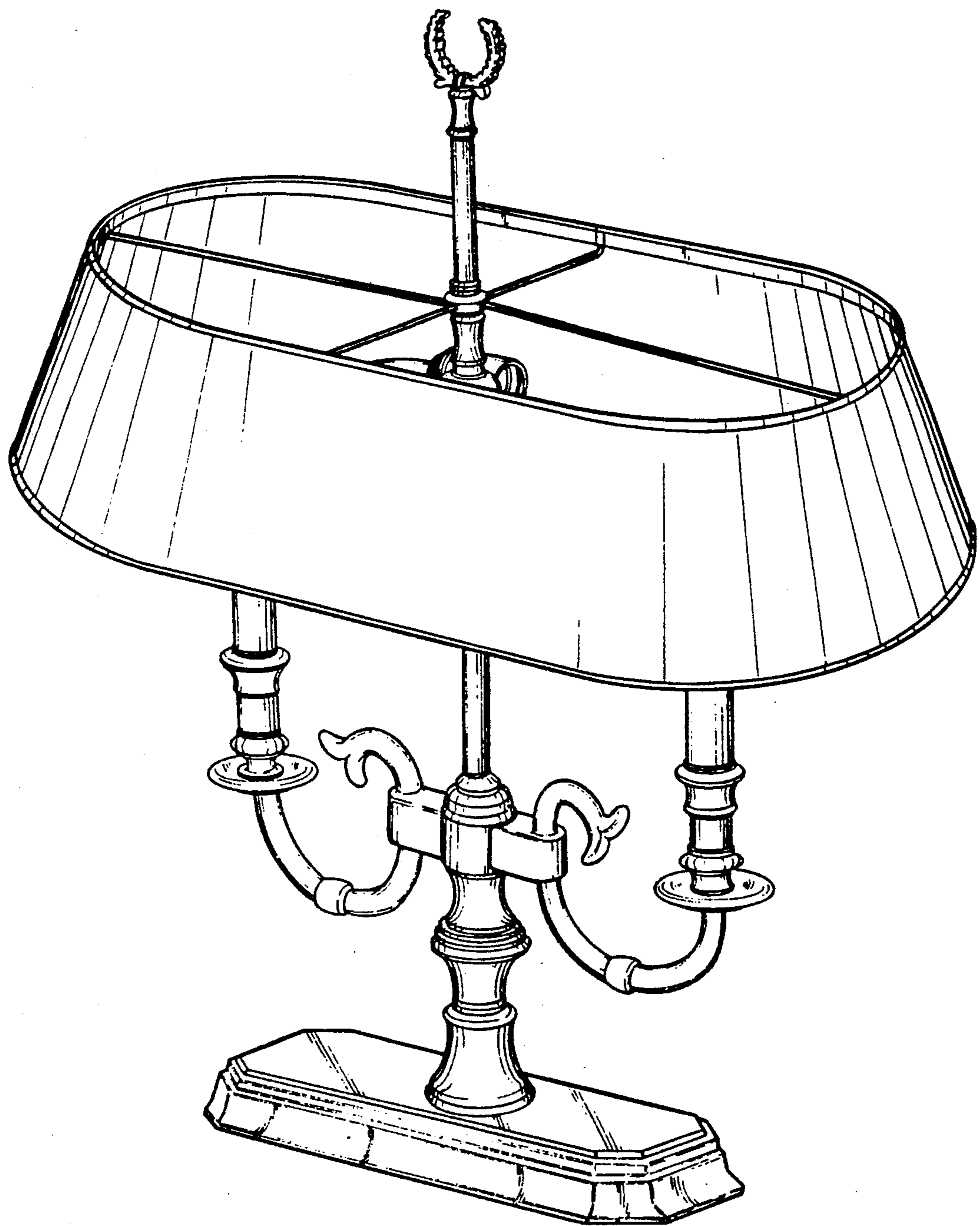


Fig-1

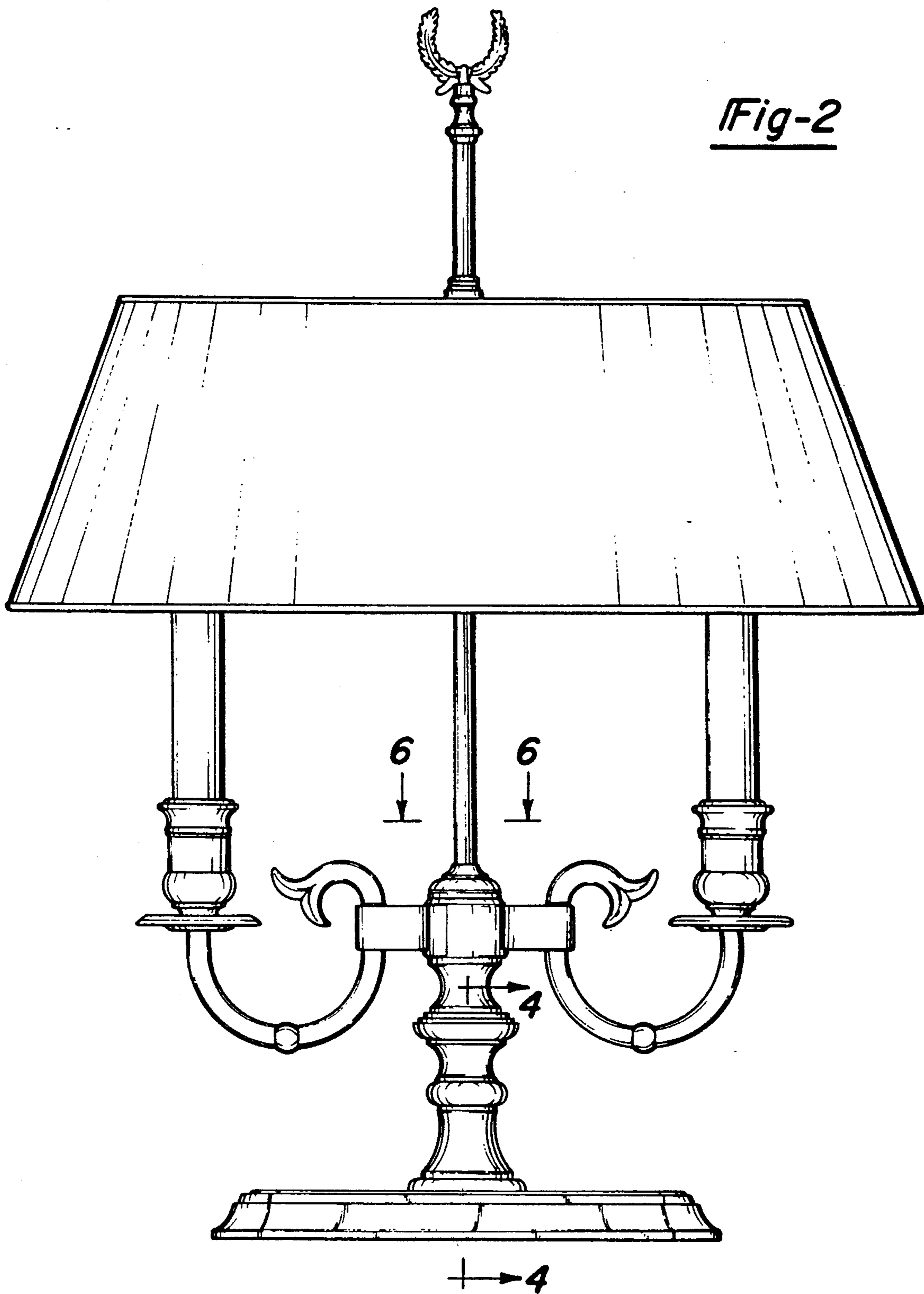


Fig-2

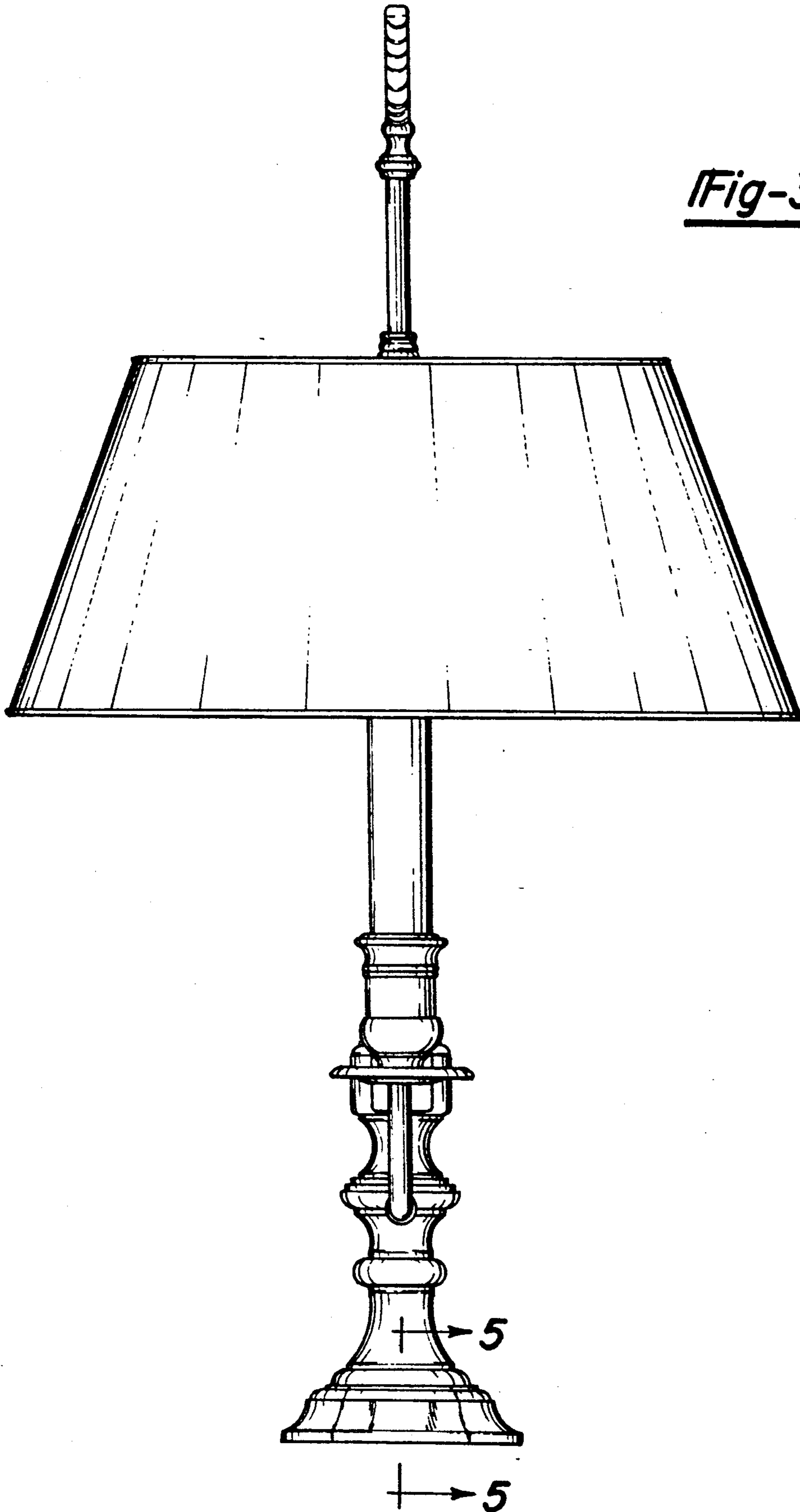


Fig-3



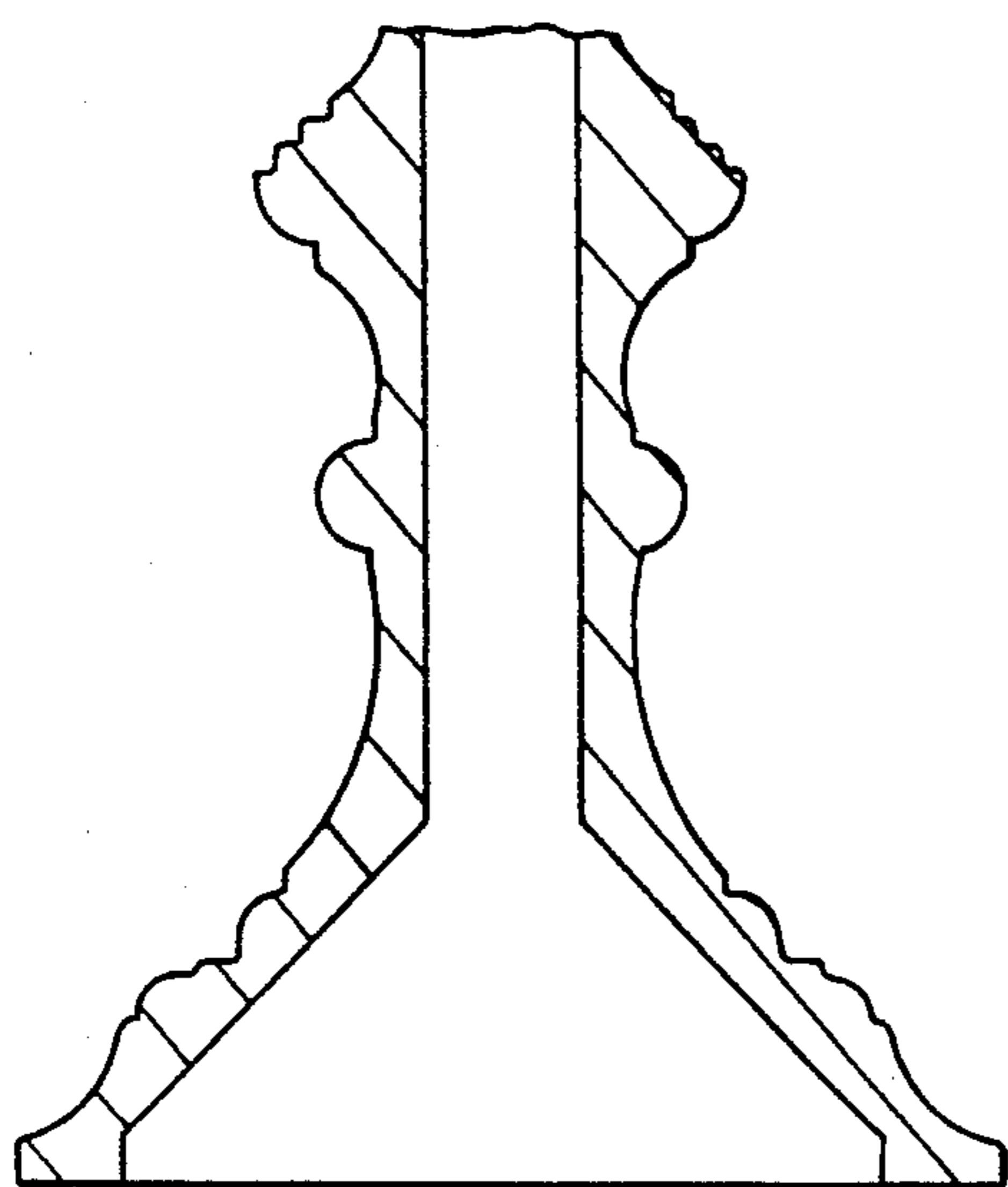


Fig-4

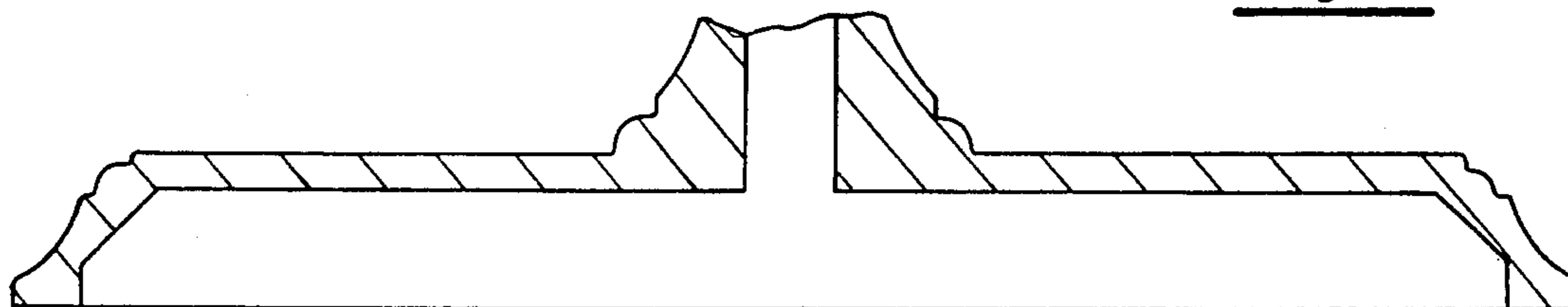


Fig-5

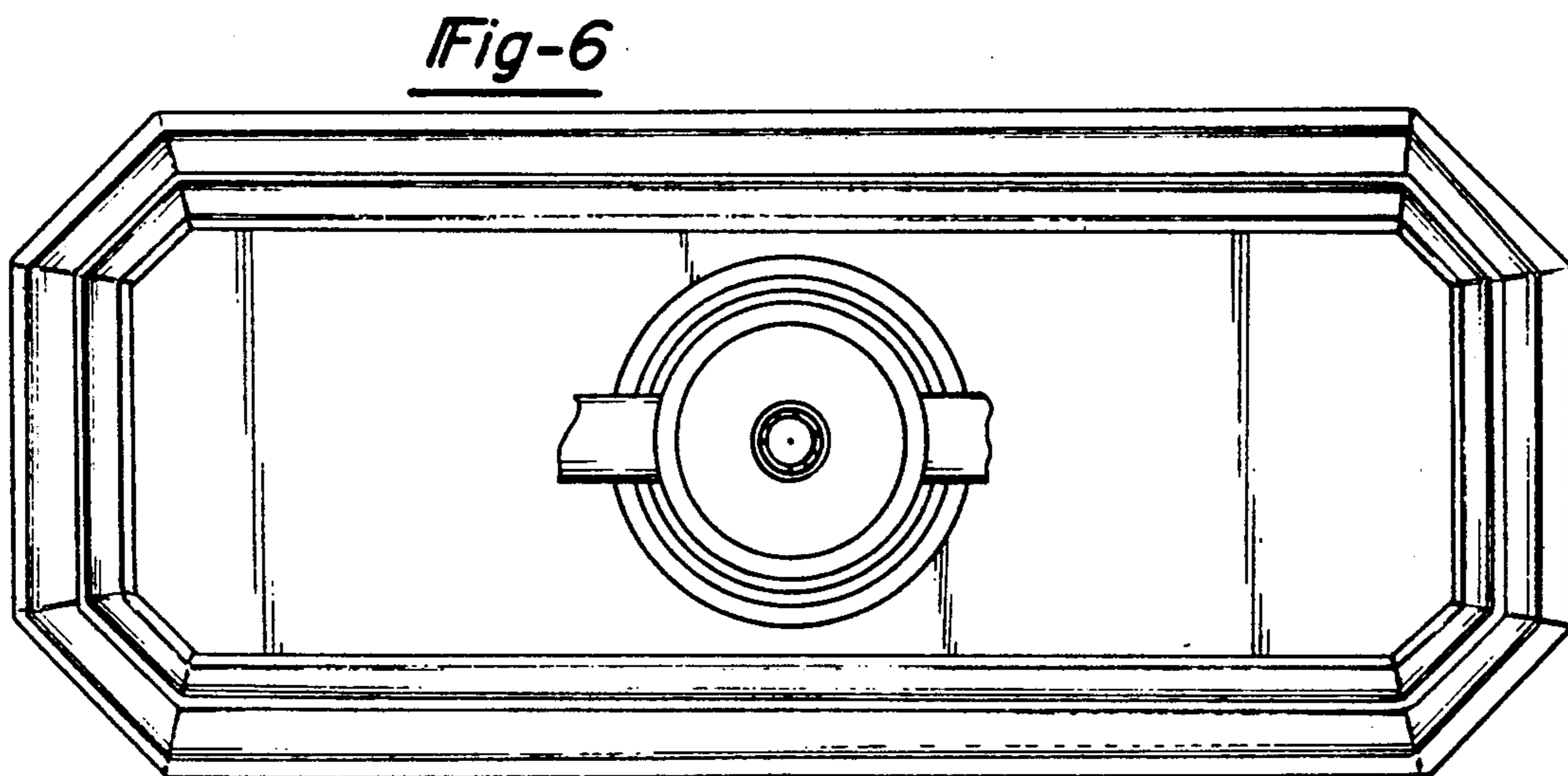


Fig-6

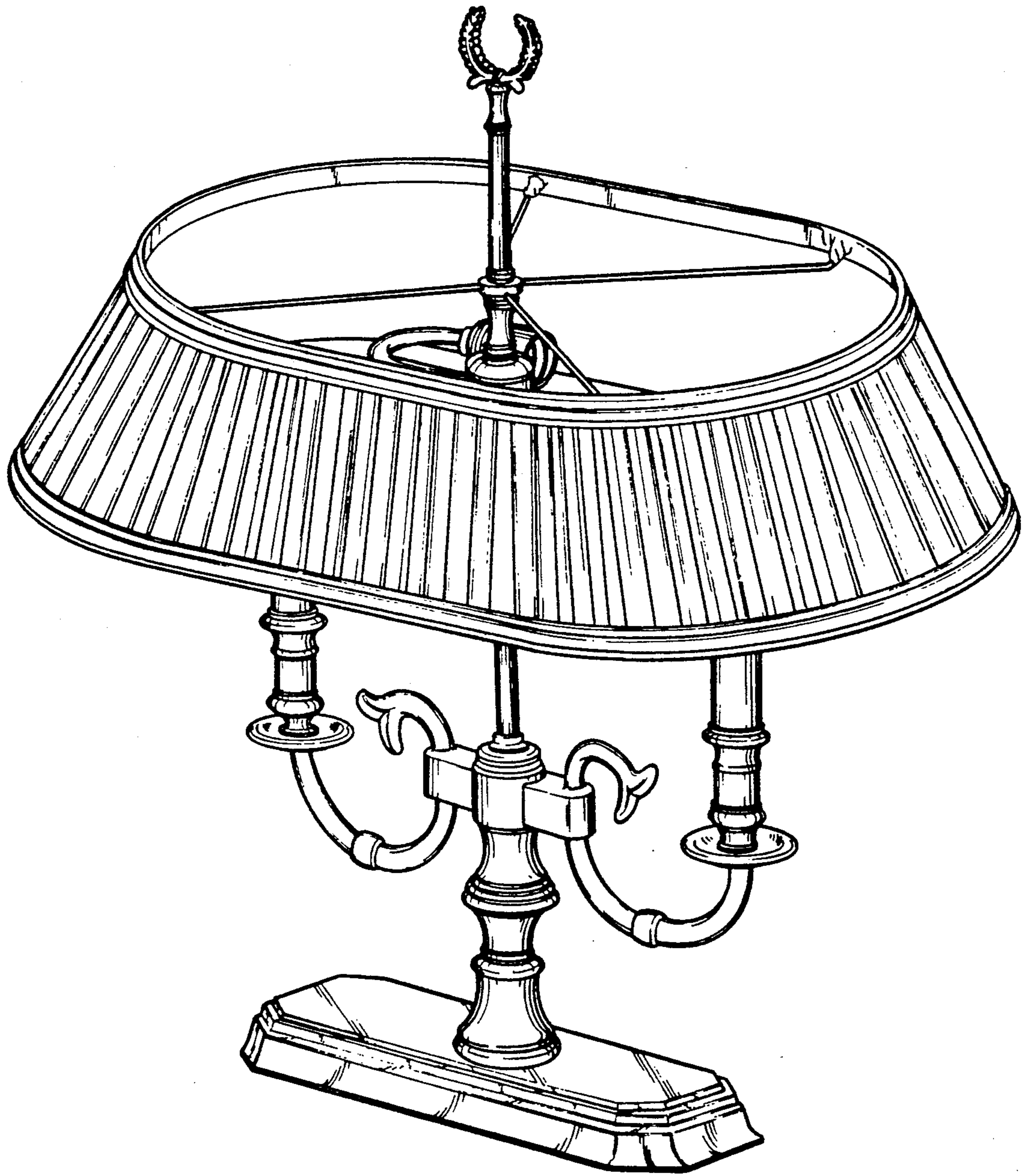


Fig-8



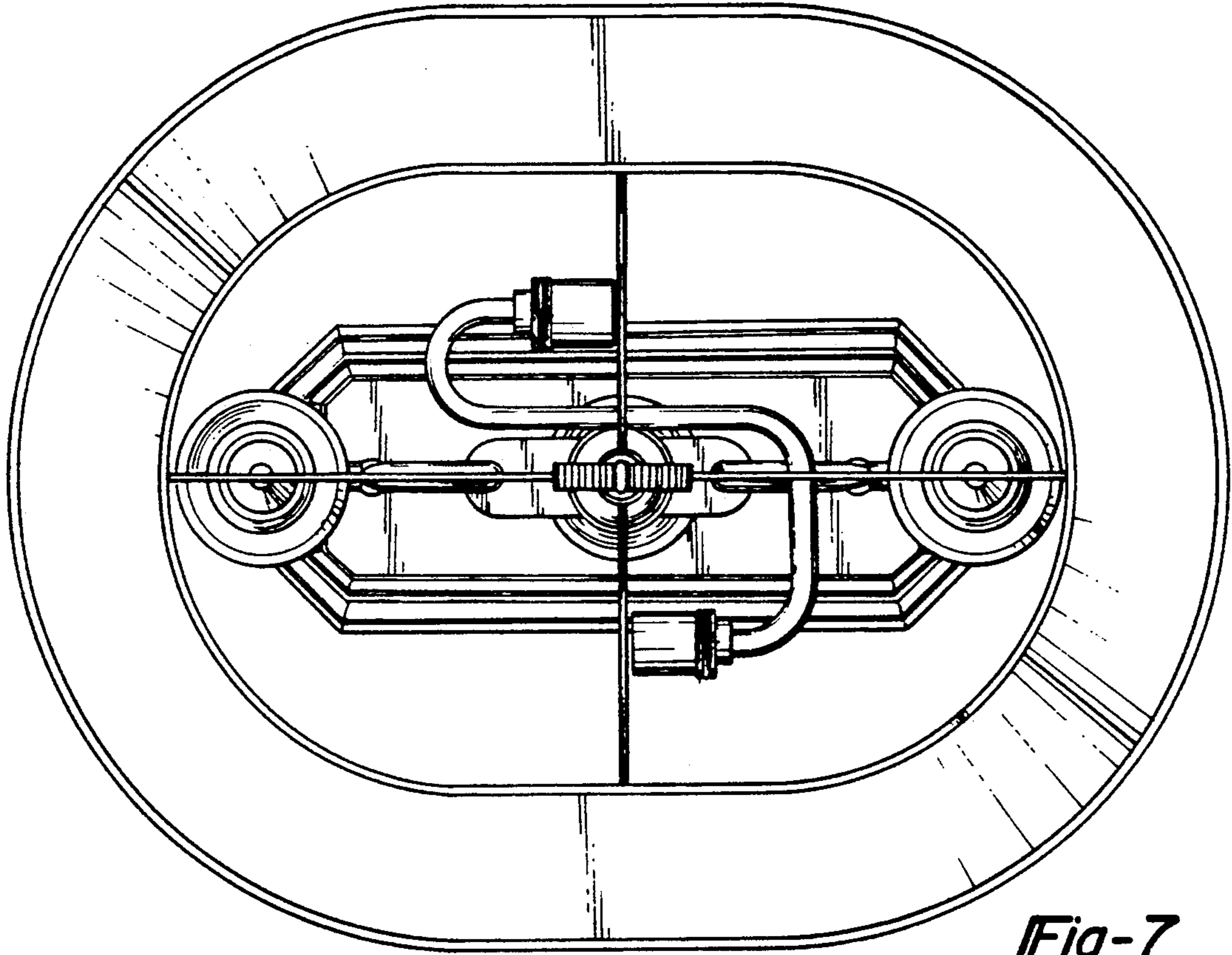


Fig-7

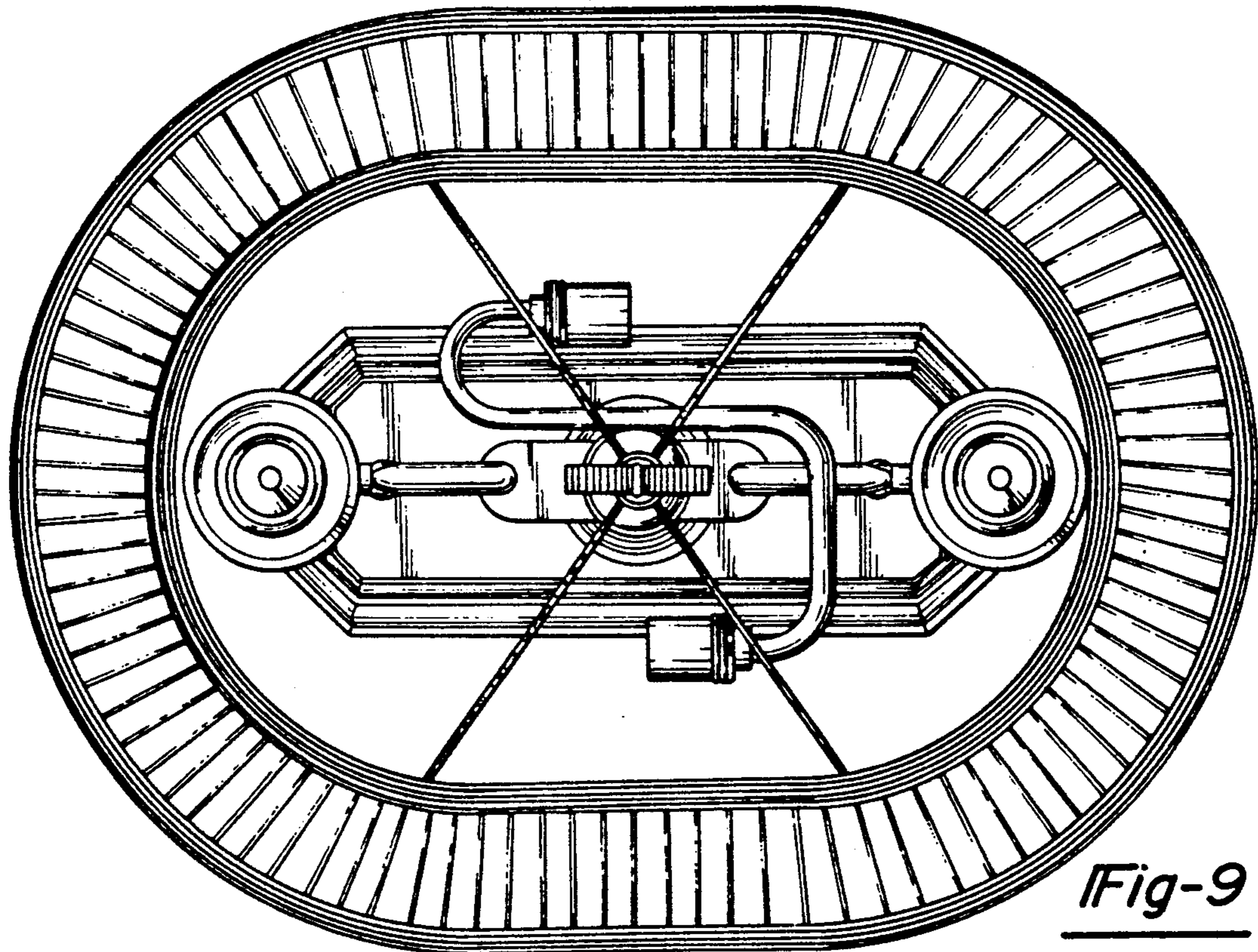


Fig-9