



US00D331808S

United States Patent [19]

[11] Patent Number: **Des. 331,808**

Paul et al.

[45] Date of Patent: **** Dec. 15, 1992**

[54] **WORK PLATFORM**

[76] Inventors: **Kenneth R. Paul**, 102 Twayblade, Black Butte, Oreg. 97759; **Dennis G. Marshall**, 8290 SW. 61st, Redmond, Oreg. 97756

[**] Term: **14 Years**

[21] Appl. No.: **575,992**

[22] Filed: **Aug. 30, 1990**

[52] U.S. Cl. **D25/65; D6/350**

[58] Field of Search **D25/65; D6/350, 353; 182/33, 33.3, 33.4**

3,530,954 9/1970 Schmidt 182/33
3,650,351 3/1972 Schmidt 182/33.3

Primary Examiner—A. Hugo Word
Assistant Examiner—Doris Clark
Attorney, Agent, or Firm—Klarquist, Sparkman, Campbell, Leigh & Whinston

[57] **CLAIM**

The ornamental design for a work platform, as shown and described.

DESCRIPTION

FIG. 1 is a perspective view of a work platform showing our new design;
FIG. 2 is a perspective view thereof, with the second step in its inoperative position;
FIG. 3 is a top plan view thereof;
FIG. 4 is a front elevational view, the rear being identical thereto;
FIG. 5 is a left side elevational view, the right side being identical thereto; and,
FIG. 6 is a bottom plan view thereof.

[56] **References Cited**

U.S. PATENT DOCUMENTS

D. 157,436	2/1950	Rogero	D25/65
D. 173,804	1/1955	Goldman et al.	D25/65
D. 240,220	6/1976	Meyer	D25/65
D. 297,790	9/1988	Melvin	D6/350
D. 307,800	5/1990	Hradisky	D25/65
2,666,210	1/1954	Wiley	182/33

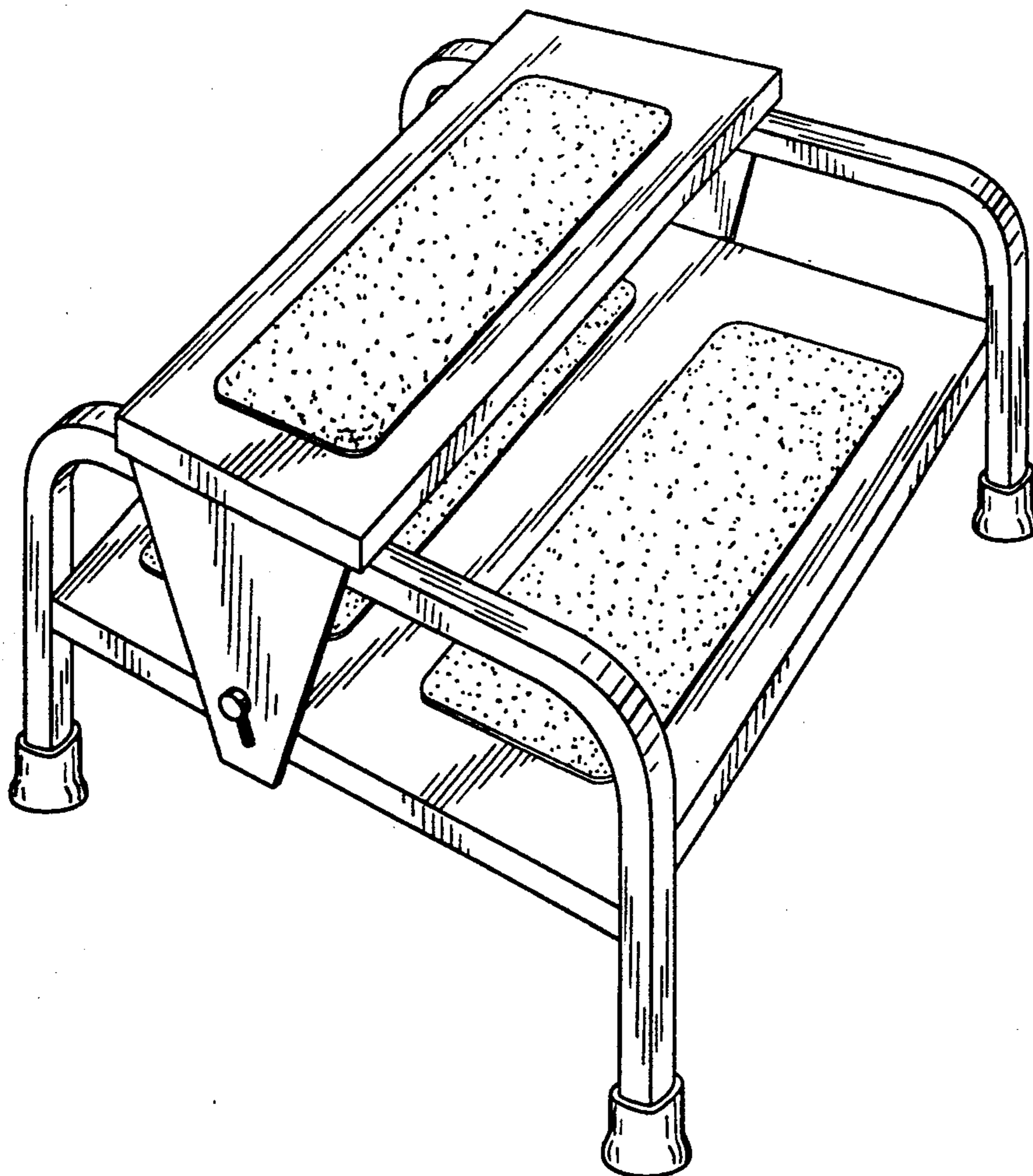


FIG. 1

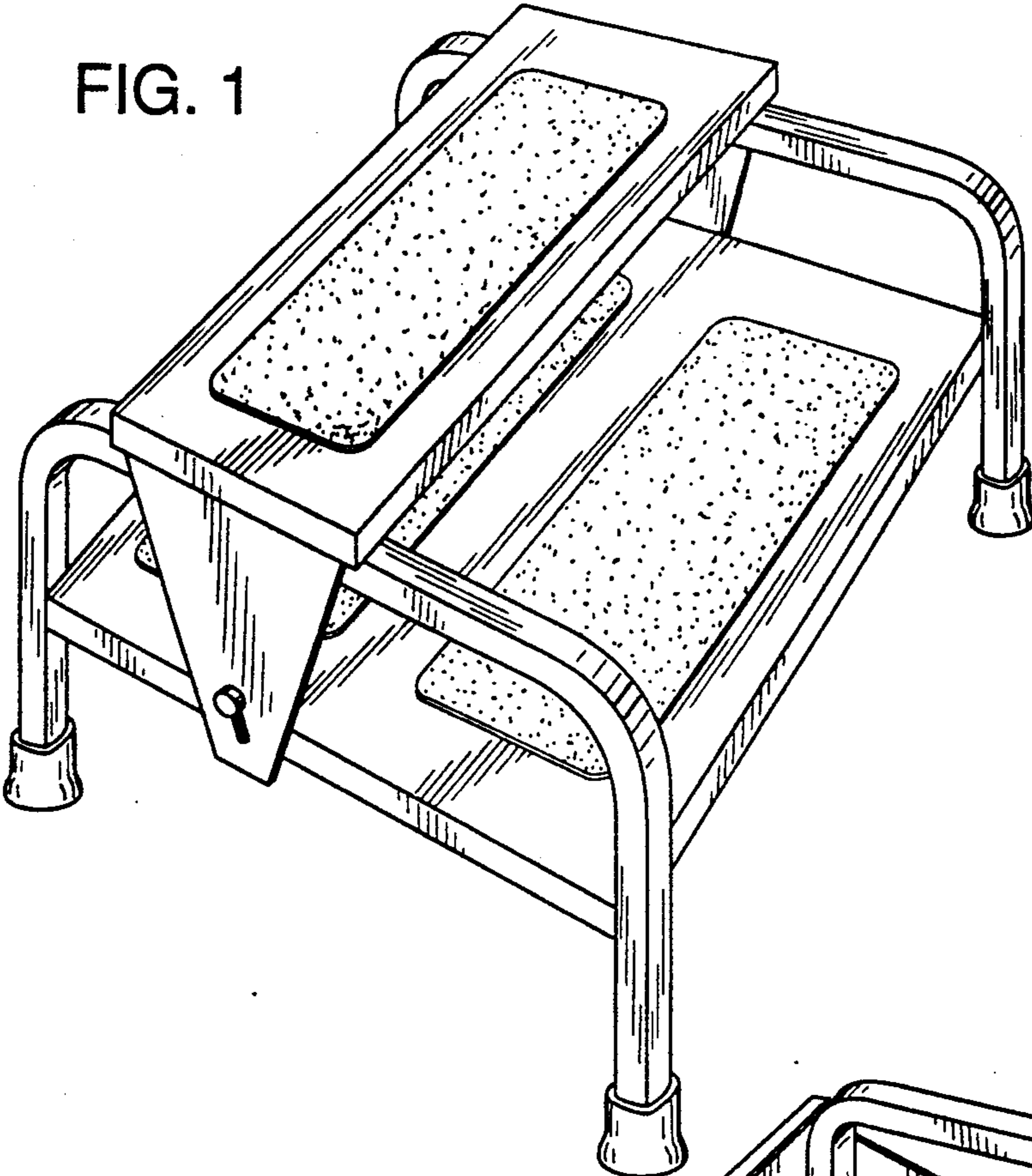


FIG. 2

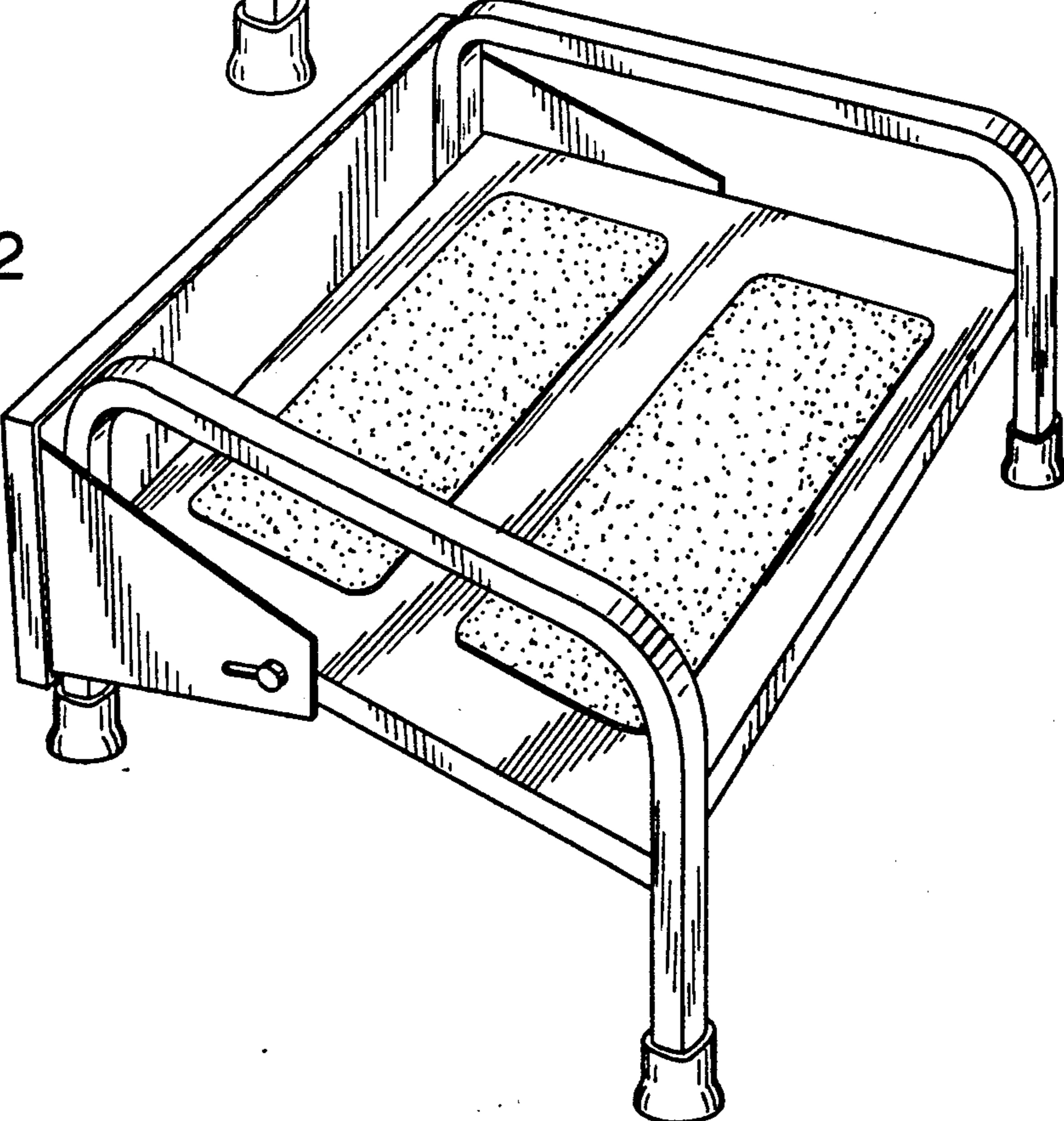


FIG. 3

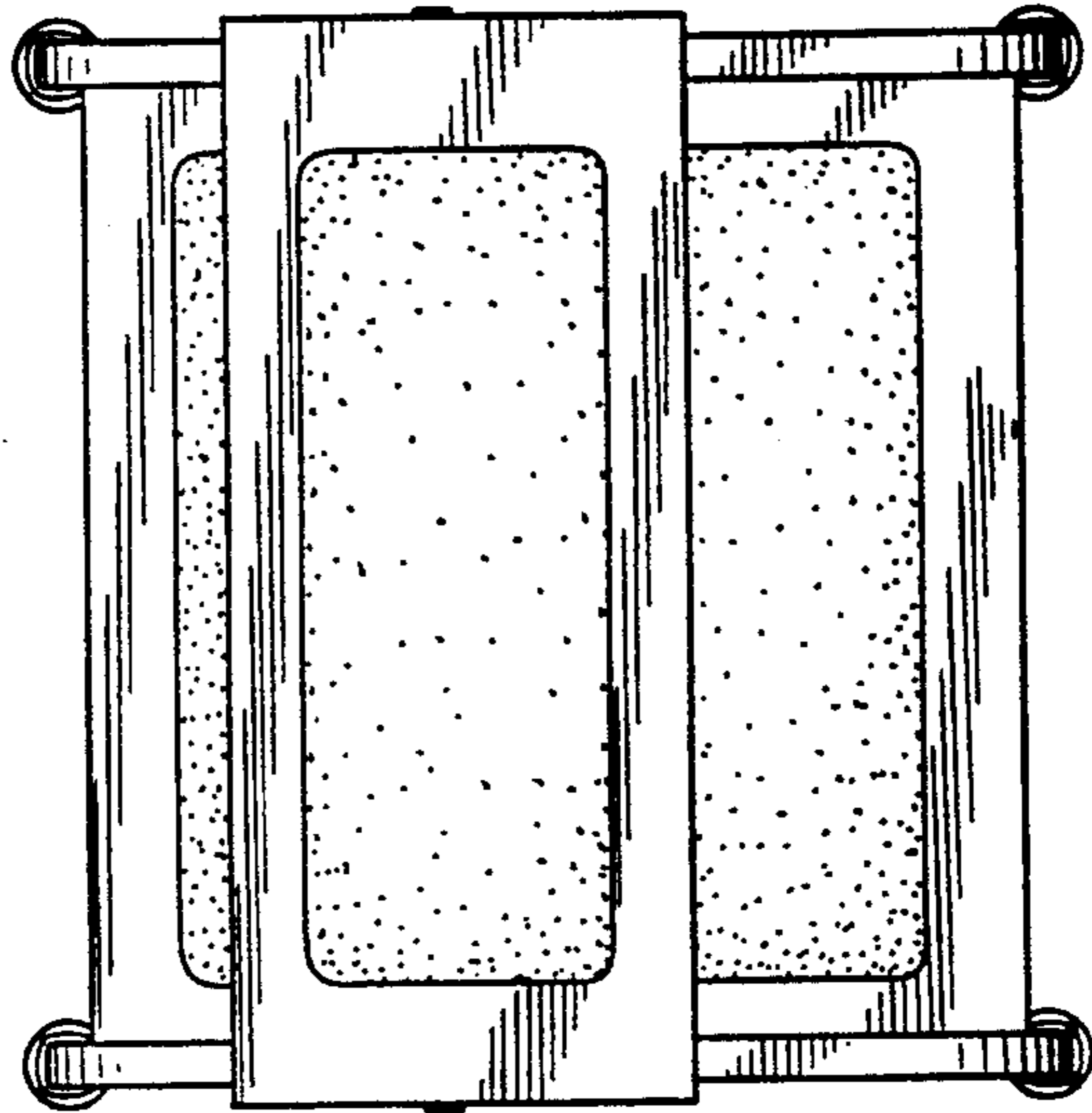


FIG. 4

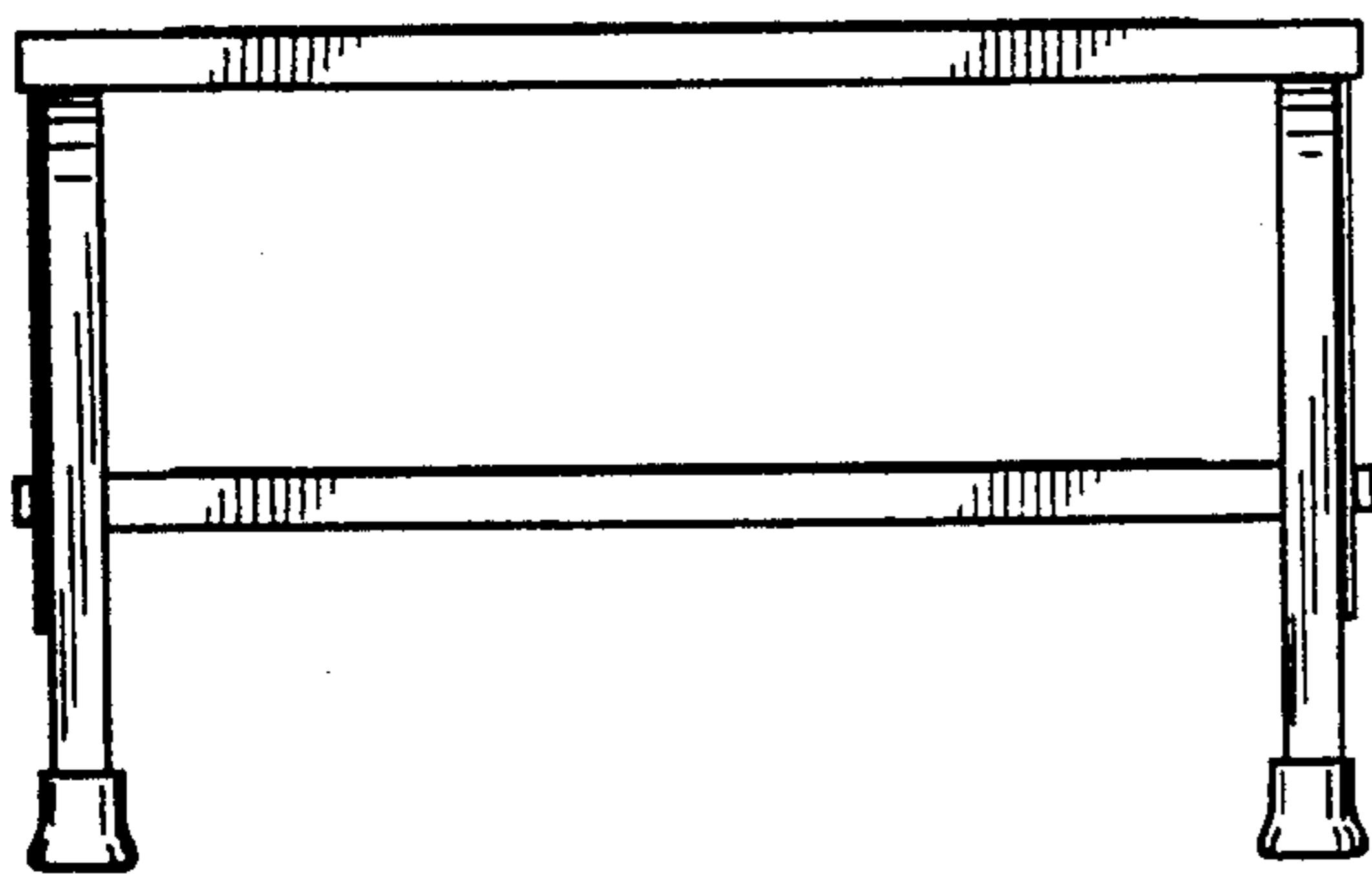


FIG. 5

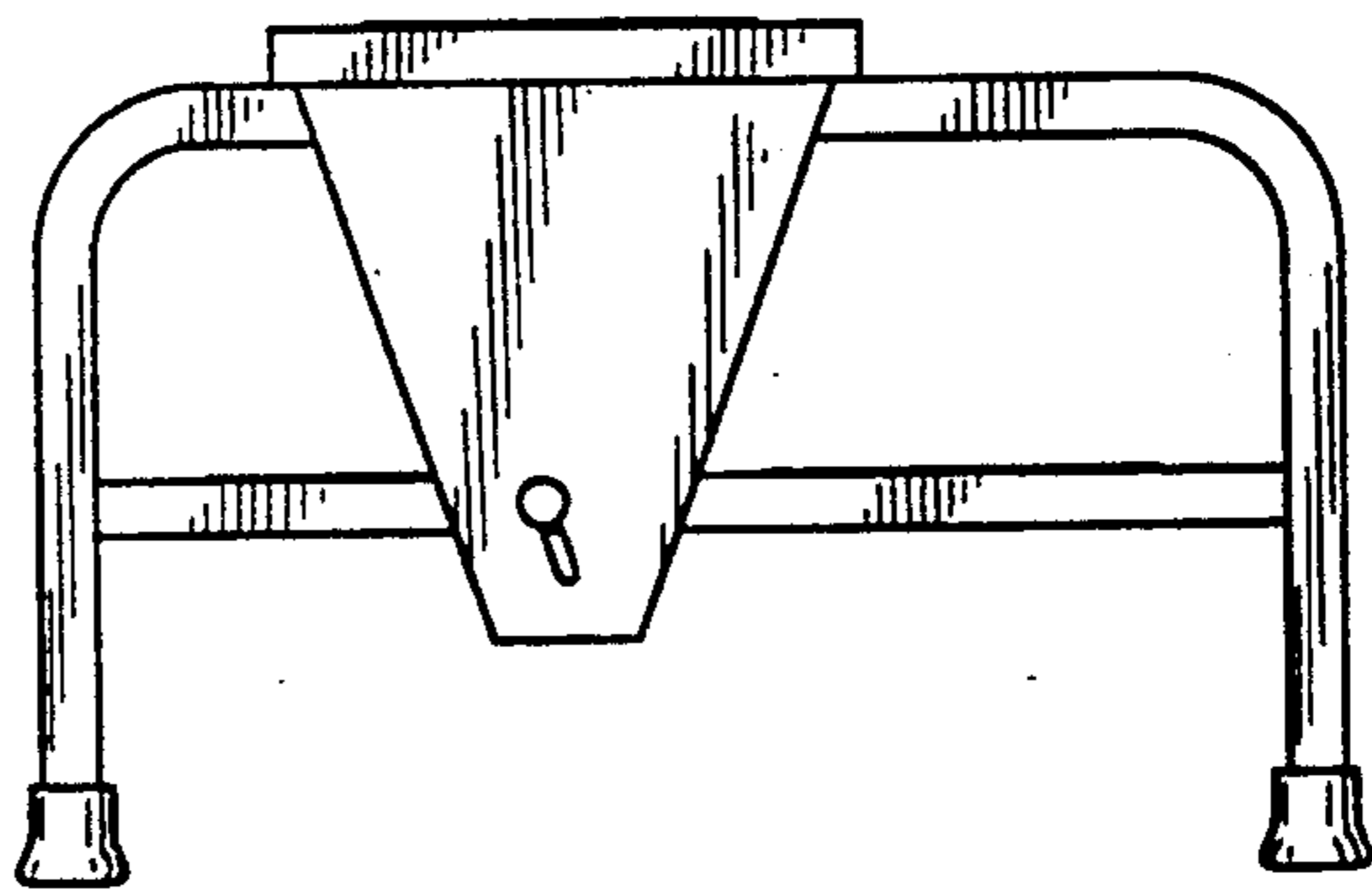


FIG. 6

