



US00D331807S

# United States Patent [19]

Södergren

[11] Patent Number: **Des. 331,807**

[45] Date of Patent: **\*\* Dec. 15, 1992**

[54] SHEATH FOR A BIOSENSOR SURFACE CARRIER

[75] Inventor: **Jan A. Y. Södergren, Skärplinge, Sweden**

[73] Assignee: **Pharmacia Biosensor AB, Upsala, Sweden**

[\*\*] Term: **14 Years**

[21] Appl. No.: **549,705**

[22] Filed: **Jul. 9, 1990**

[30] Foreign Application Priority Data

Jan. 18, 1990 [SE] Sweden ..... 90-0110

[52] U.S. Cl. .... **D24/224; D10/81**

[58] Field of Search ..... **D10/46, 81; D3/30.1, D3/99; D25/58, 138, 151, 156; D24/225, 224; 422/99, 100, 101, 102, 104, 58, 64, 72; 428/138, 195, 210, 433; 359/368, 385, 392, 393, 395, 396, 397, 398; 356/246, 244**

[56] References Cited

U.S. PATENT DOCUMENTS

3,436,140 4/1969 Lord ..... 356/244 X

4,728,607 3/1988 Dorn et al. .... 359/398 X  
4,857,453 8/1989 Ullman et al. .... D24/225 X  
4,919,894 4/1990 Daniel ..... 422/99 X  
5,037,614 8/1991 Makita et al. .... 422/82.05 X  
5,053,197 10/1991 Bowen ..... 422/82.05 X

FOREIGN PATENT DOCUMENTS

8607288 12/1986 World Int. Prop. O. .... 356/244

*Primary Examiner*—Carmen H. Vales-Lado

*Assistant Examiner*—Antoine D. Davis

*Attorney, Agent, or Firm*—Fred Philpitt

[57] CLAIM

The ornamental design for a sheath for a biosensor surface carrier, as shown and described.

DESCRIPTION

FIG. 1 is a top, front and left side perspective view of a sheath for a biosensor surface carrier showing my new design;

FIG. 2 is a bottom, rear and right side perspective view;

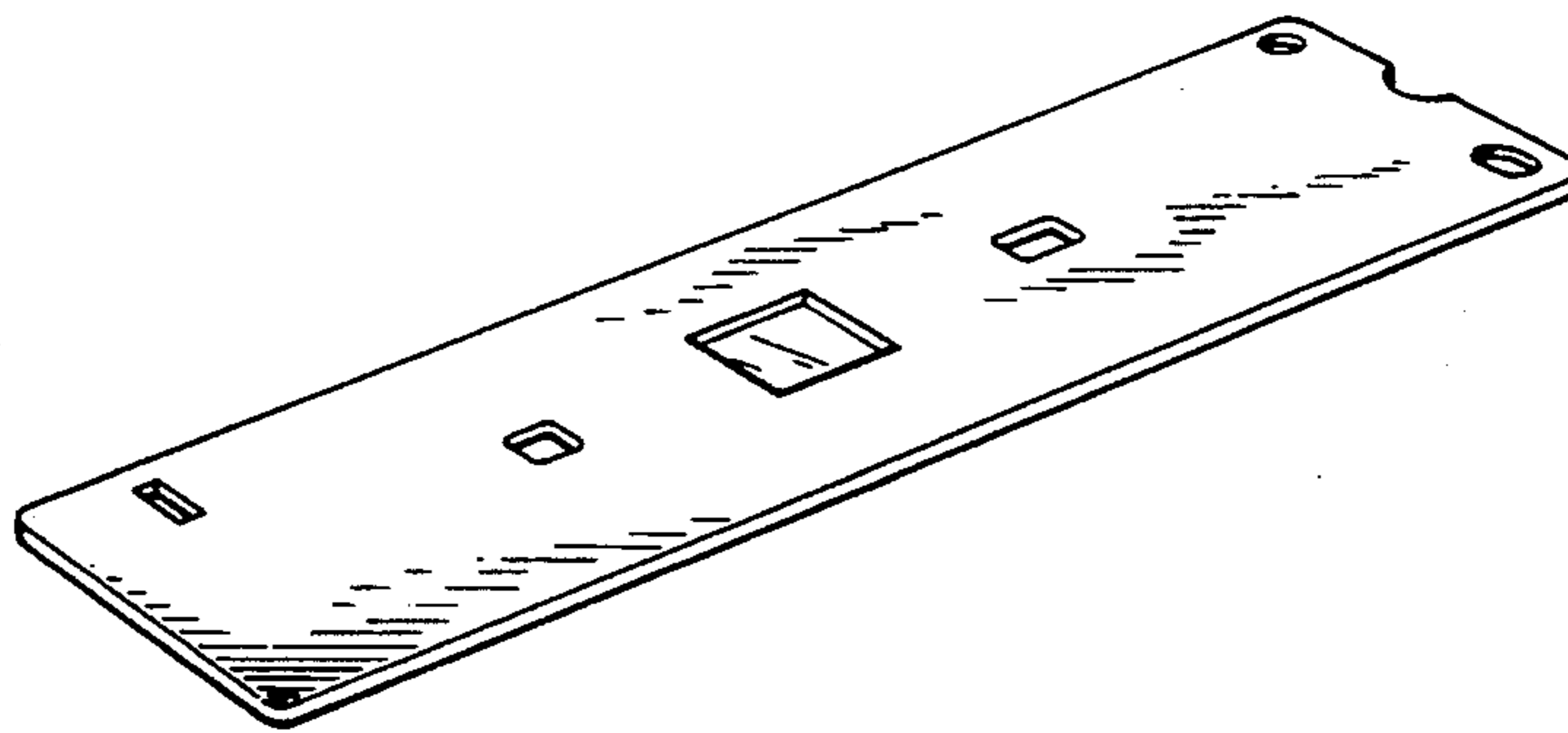
FIG. 3 is a top plan view;

FIG. 4 is a front elevational view;

FIG. 5 is a right side elevational view;

FIG. 6 is a rear elevational view; and,

FIG. 7 is a bottom plan view thereof.



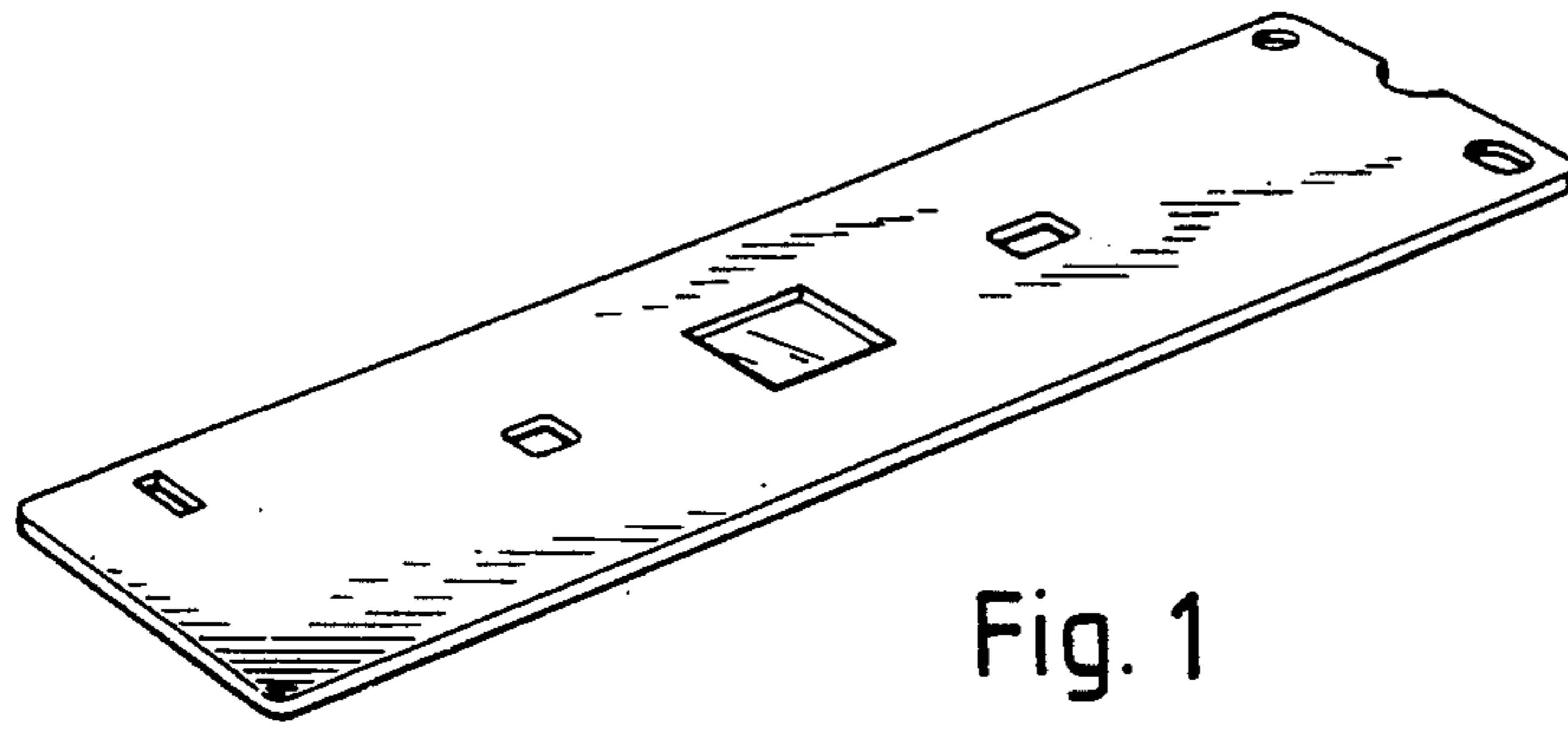


Fig. 1

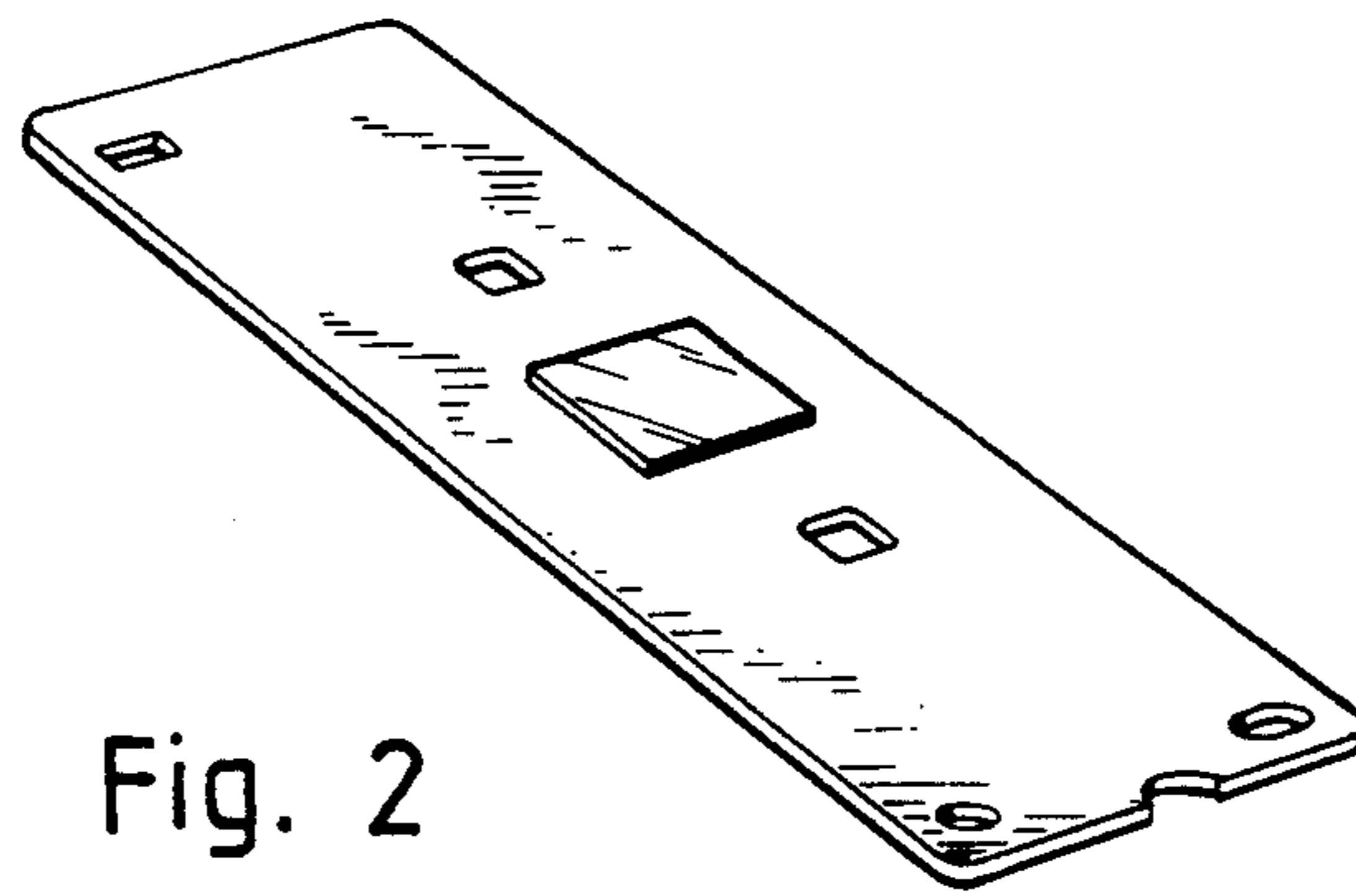


Fig. 2

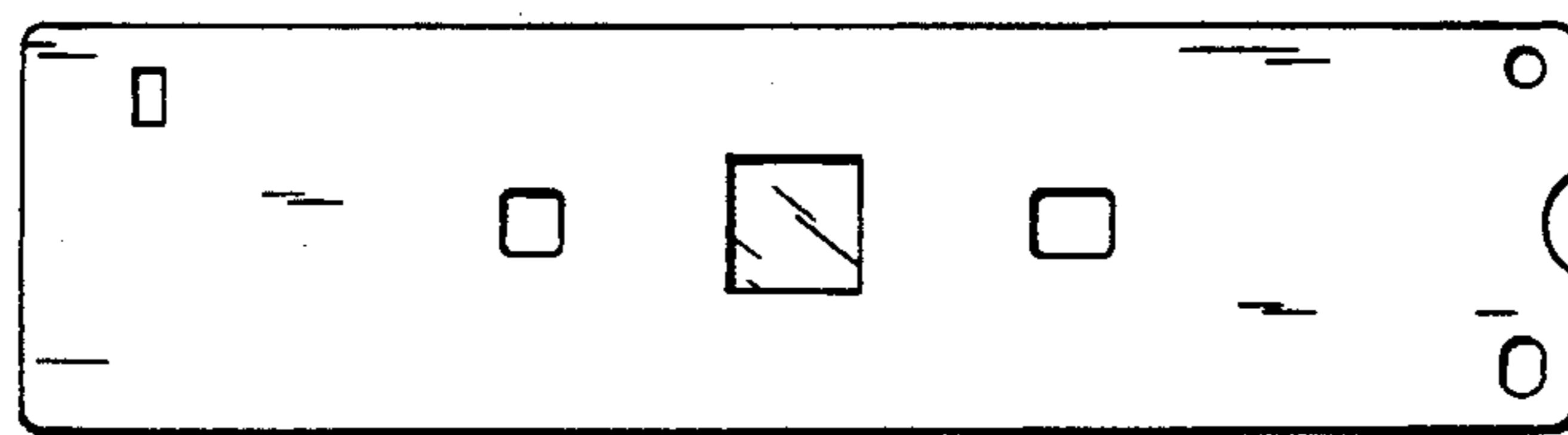


Fig. 3



Fig. 4

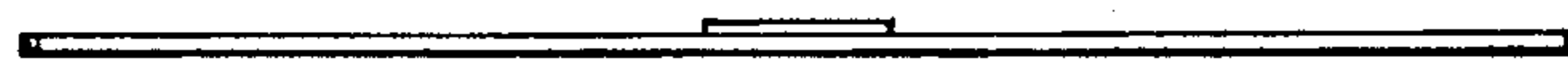


Fig. 5



Fig. 6

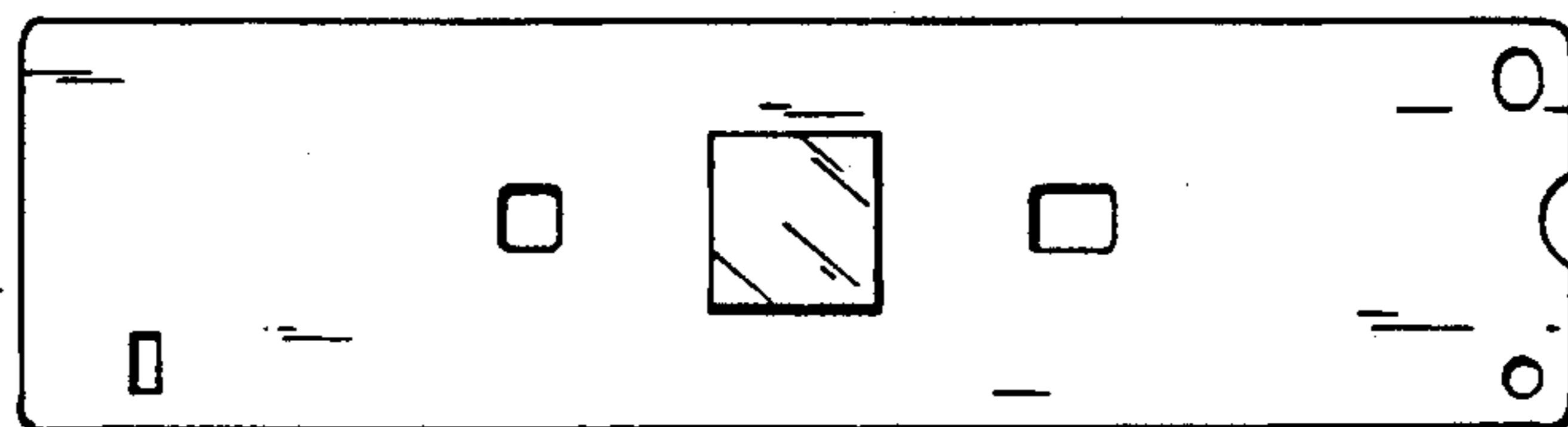


Fig. 7

UNITED STATES PATENT AND TRADEMARK OFFICE  
**CERTIFICATE OF CORRECTION**

PATENT NO. : D331,807  
DATED : December 15, 1992  
INVENTOR(S) : Jan A. Y. SODERGREN

It is certified that error appears in the above-identified patent and that said Letters Patent is hereby corrected as shown below:

On the title page, items [54] and [57] should read as follows:

--[54] **BIOSENSOR SURFACE CARRIER**--

--[57] **CLAIM**

The ornamental design for a biosensor surface carrier, as shown and described.

**DESCRIPTION**

FIG. 1 is a bottom, rear and right side perspective view of a biosensor surface carrier showing my new design;  
FIG. 2 is a top, front and left side perspective view;  
FIG. 3 is a bottom plan view;  
FIG. 4 is a rear elevational view;  
FIG. 5 is a right side elevational view;  
FIG. 6 is a front elevational view; and,  
FIG. 7 is a top plan view thereof.--

Signed and Sealed this  
Twenty-fifth Day of June, 1996

Attest:



BRUCE LEHMAN

Attesting Officer

Commissioner of Patents and Trademarks