



US00D331806S

United States Patent [19]

Södergren

[11] Patent Number: **Des. 331,806**

[45] Date of Patent: **** Dec. 15, 1992**

[54] **BIOSENSOR SURFACE CARRIER**

[75] Inventor: **Jan A. Y. Södergren, Skärplinge, Sweden**

[73] Assignee: **Pharmacia Biosensor AB, Uppsala, Sweden**

[**] Term: **14 Years**

[21] Appl. No.: **549,706**

[22] Filed: **Jul. 9, 1990**

[30] **Foreign Application Priority Data**

Jan. 18, 1990 [SE] Sweden 90-0110

[52] U.S. Cl. **D24/224; D10/81**

[58] Field of Search **D10/46, 81; D3/30.1, D3/99; D25/225, 224; 422/100, 99, 58, 64, 72, 101, 102, 104; 428/210, 138, 195, 433; 359/396, 368, 398, 385, 395, 397, 392, 393; 356/246, 244**

[56] **References Cited**

U.S. PATENT DOCUMENTS

3,436,140 4/1969 Lord 356/244 X
4,728,607 3/1988 Dorn et al. 359/398 X

4,857,453 8/1989 Ullman et al. D24/225 X
4,919,894 4/1990 Daniel 422/99 X
5,037,614 8/1991 Makita et al. 422/82.05 X
5,053,197 10/1991 Bowen 422/82.05 X

FOREIGN PATENT DOCUMENTS

8607288 12/1986 World Int. Prop. O. 356/244

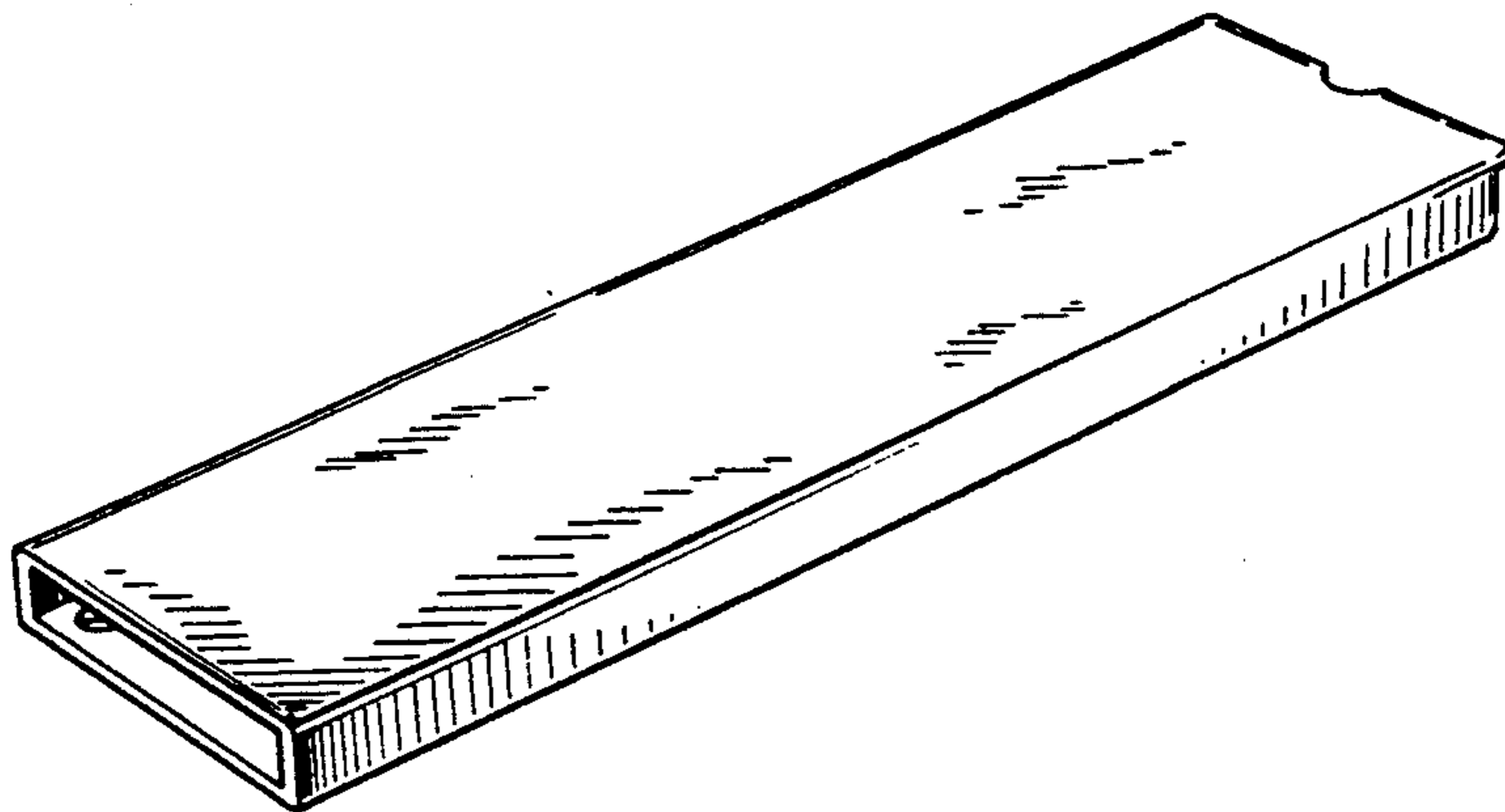
Primary Examiner—Carmen H. Vales-Lado
Assistant Examiner—Antoine D. Davis
Attorney, Agent, or Firm—Fred Philpitt

[57] **CLAIM**

The ornamental design for a biosensor surface carrier, as shown and described.

DESCRIPTION

FIG. 1 is a bottom, rear and right side perspective view of a biosensor surface carrier showing my new design; FIG. 2 is a top, front and left side perspective view; FIG. 3 is a top plan view; FIG. 4 is a rear elevational view; FIG. 5 is a right side elevational view; FIG. 6 is a front elevational view; and, FIG. 7 is a top plan view thereof.



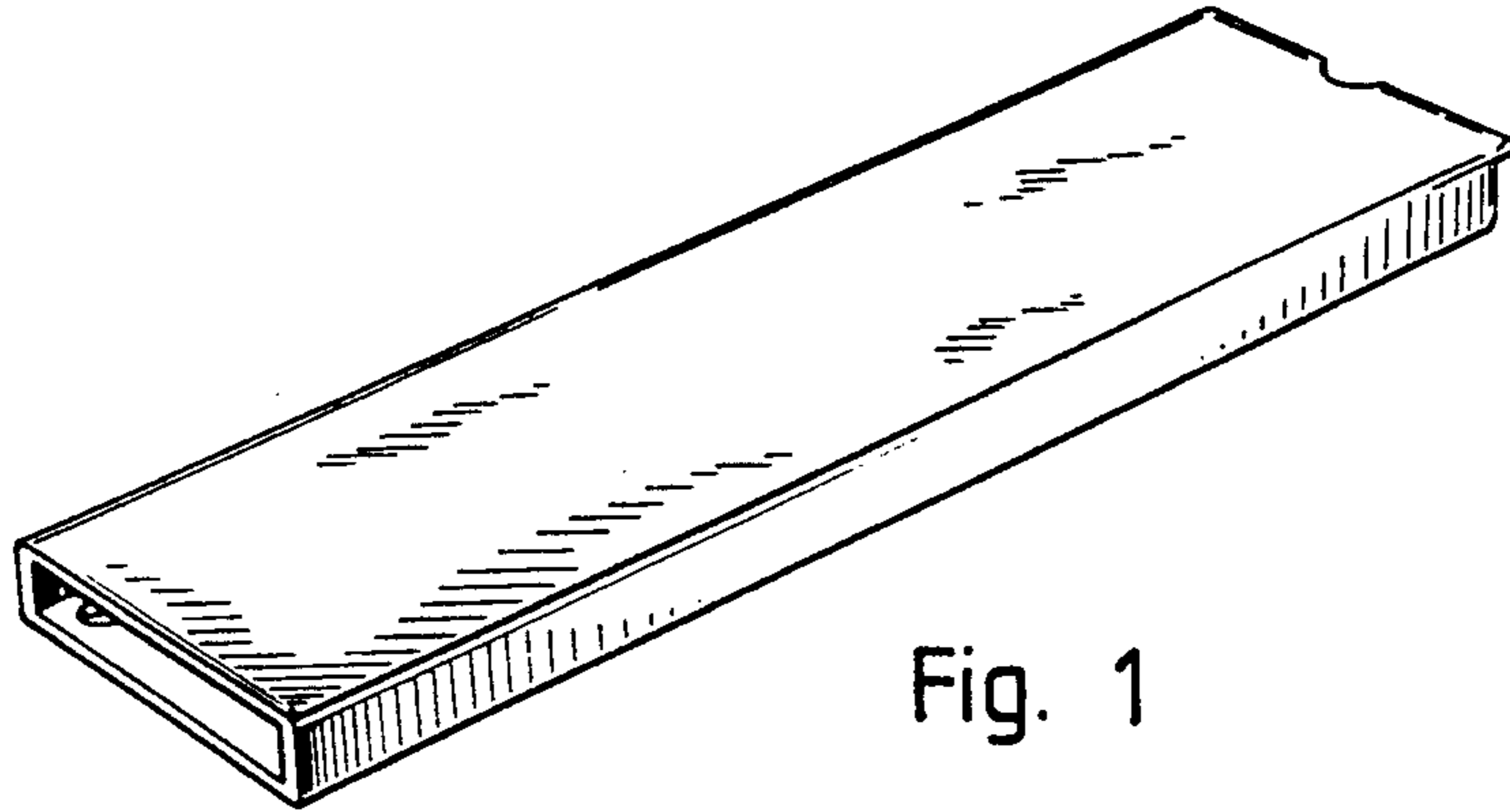


Fig. 1

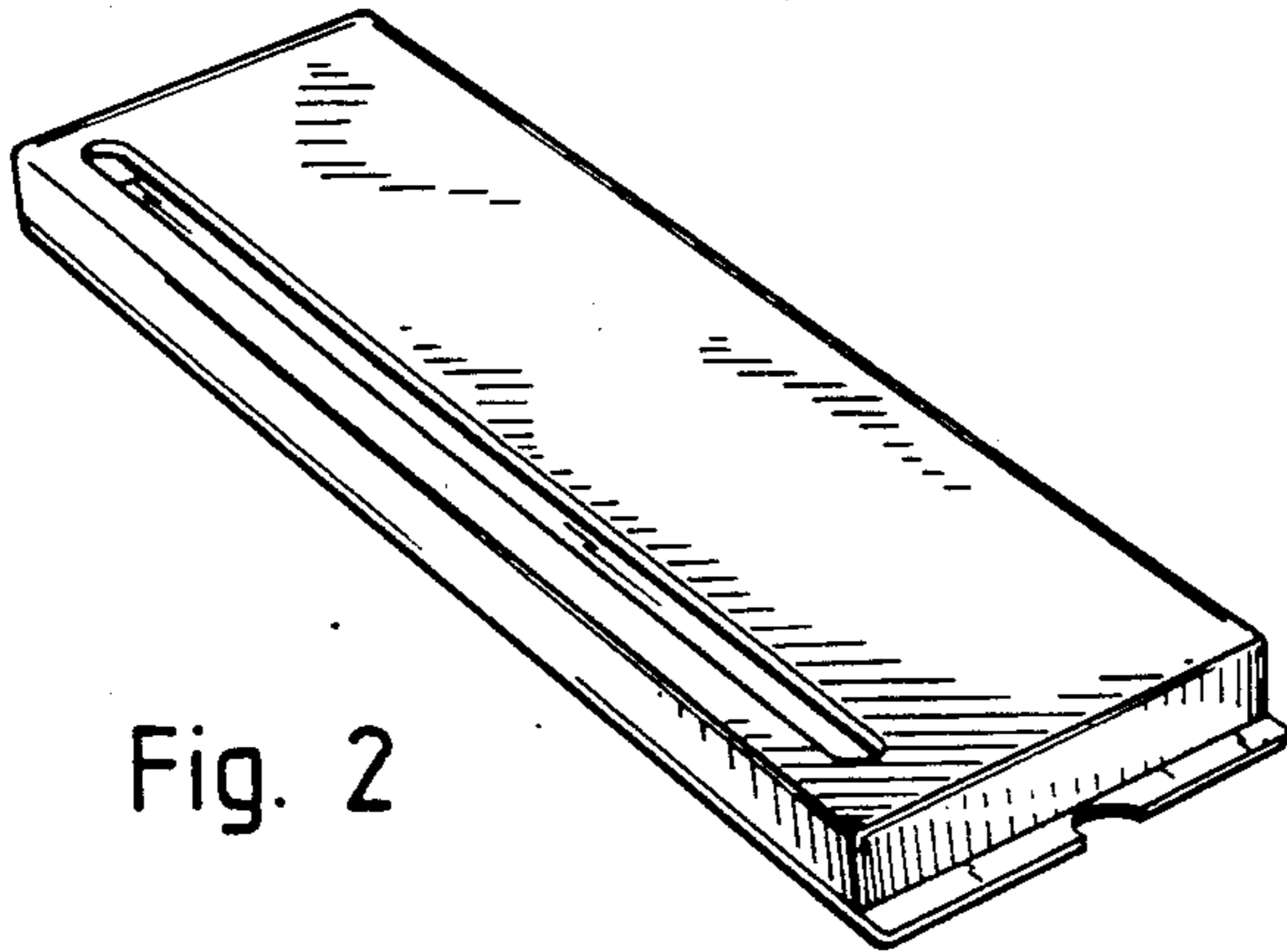


Fig. 2

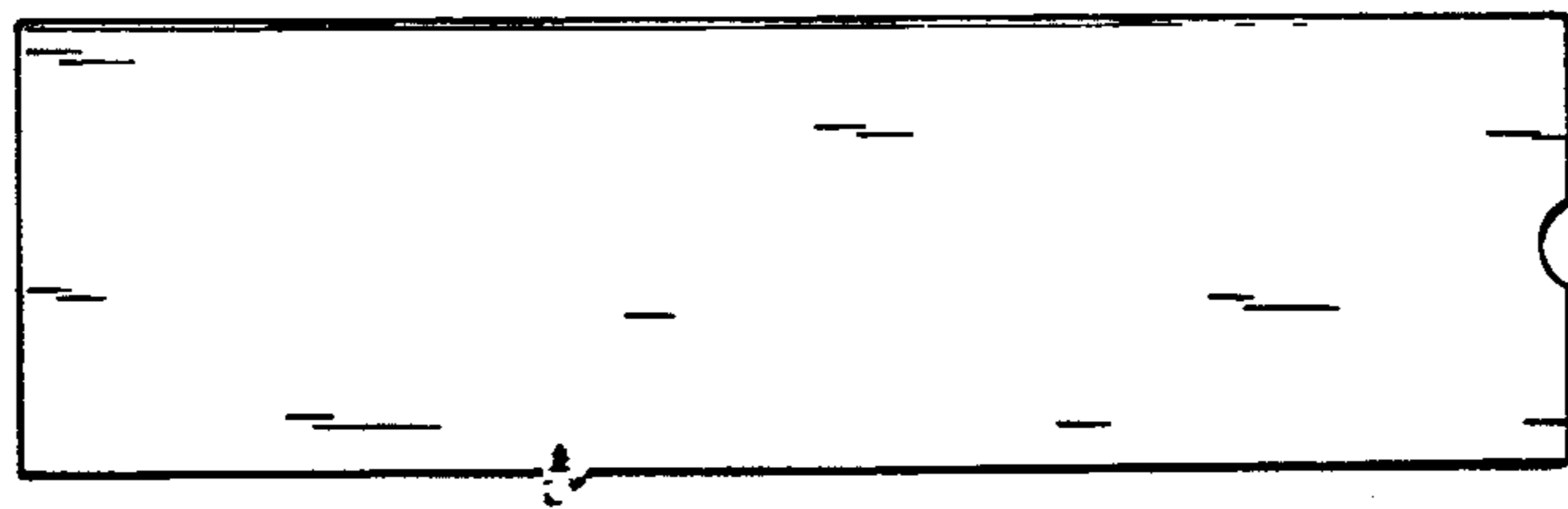


Fig. 3



Fig. 4



Fig. 5



Fig. 6

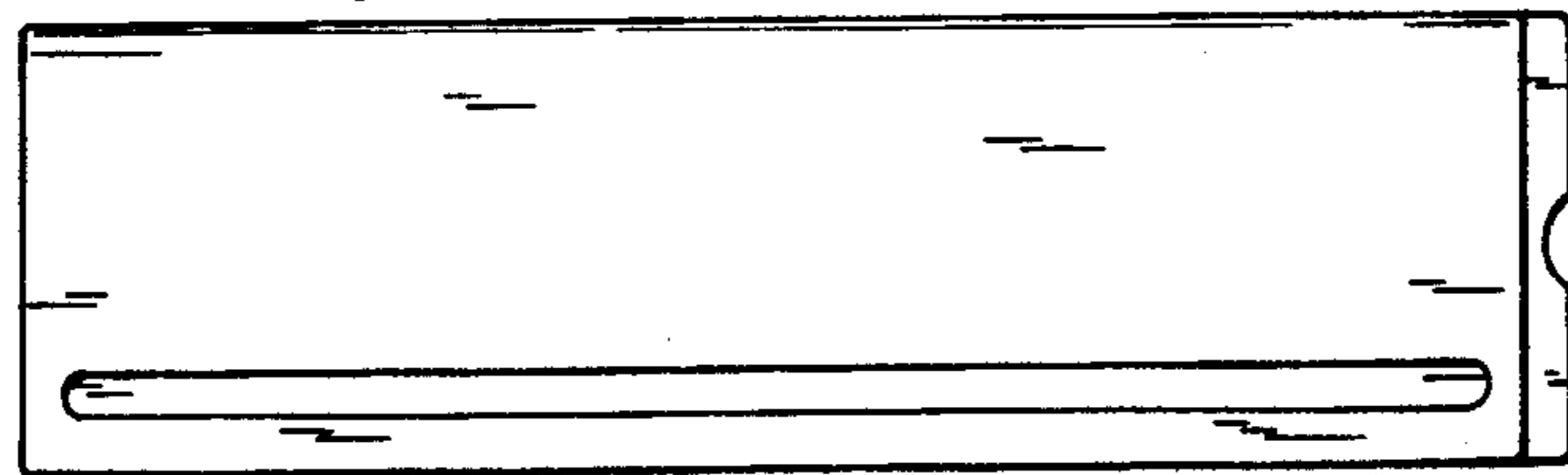


Fig. 7

UNITED STATES PATENT AND TRADEMARK OFFICE
CERTIFICATE OF CORRECTION

PATENT NO. : D331,806
DATED : December 15, 1992
INVENTOR(S) : Jan A. Y. SODERGREN

It is certified that error appears in the above-identified patent and that said Letters Patent is hereby corrected as shown below:

On the title page, items [54] and [57] should read as follows:

--[54] **SHEATH FOR A BIOSENSOR SURFACE CARRIER--**

--[57] **CLAIM**

The ornamental design for a sheath for a biosensor surface carrier, as shown and described.

DESCRIPTION

FIG. 1 is a top, front and right side perspective view of a sheath for a biosensor surface carrier showing my new design;

FIG. 2 is a bottom, rear and left side perspective view;

FIG. 3 is a top plan view;

FIG. 4 is a front elevational view;

FIG. 5 is a right side elevational view;

FIG. 6 is a rear elevational view; and,

FIG. 7 is a bottom plan view thereof.--

Signed and Sealed this
Twenty-fifth Day of June, 1996

Attest:



BRUCE LEHMAN

Attesting Officer

Commissioner of Patents and Trademarks