



US00D331794S

United States Patent [19] Clay

[11] Patent Number: **Des. 331,794**
[45] Date of Patent: **** Dec. 15, 1992**

[54] SOAP DISPENSER FOR ATTACHMENT TO A SHOWERHEAD

4,956,883 9/1990 Lane 4/601 X

[76] Inventor: **Jeffrey Clay**, 238 87th Pl. S., Birmingham, Ala. 35206

FOREIGN PATENT DOCUMENTS

582723 1/1962 Italy .
7712828 11/1977 Netherlands .

[**] Term: **14 Years**

Primary Examiner—Susan J. Lucas
Assistant Examiner—M. H. Tung
Attorney, Agent, or Firm—Terry M. Gernstein

[21] Appl. No.: **665,169**

[22] Filed: **Mar. 6, 1991**

[52] U.S. Cl. **D23/225**

[57] CLAIM

[58] Field of Search D23/213, 223-229;
D6/542-545; 4/191-192, 567-570, 599-603,
596, 615; 239/310, 443-449; 222/181, 185, 559

The ornamental design for a soap dispenser for attachment to a showerhead, as shown and described.

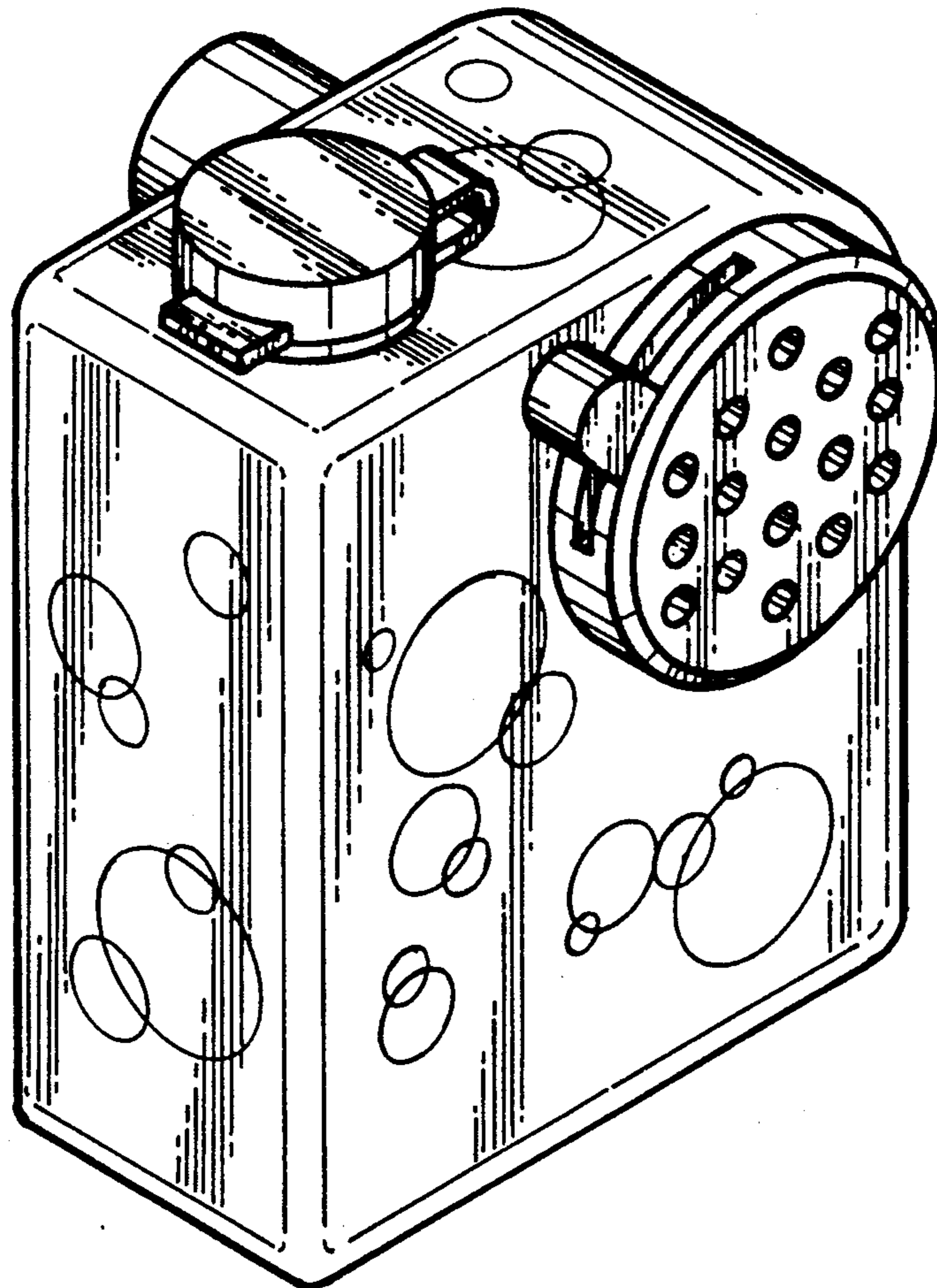
DESCRIPTION

[56] References Cited

U.S. PATENT DOCUMENTS

- D. 217,548 5/1970 Niemann .
- D. 253,187 10/1979 Stucky .
- D. 314,038 1/1991 Hardy D23/228
- 2,058,901 10/1936 McPherson .
- 3,231,200 1/1966 Heald 4/596 X
- 4,933,080 6/1990 Rundzaitis 4/615 X

FIG. 1 is a perspective view of a soap dispenser for attachment to a showerhead showing my new design; FIG. 2 is a front elevational view thereof; FIG. 3 is a rear elevational view thereof; FIG. 4 is a side elevational view thereof; FIG. 5 is a side elevational view thereof; FIG. 6 is a top plan view thereof; and, FIG. 7 is a bottom view thereof.



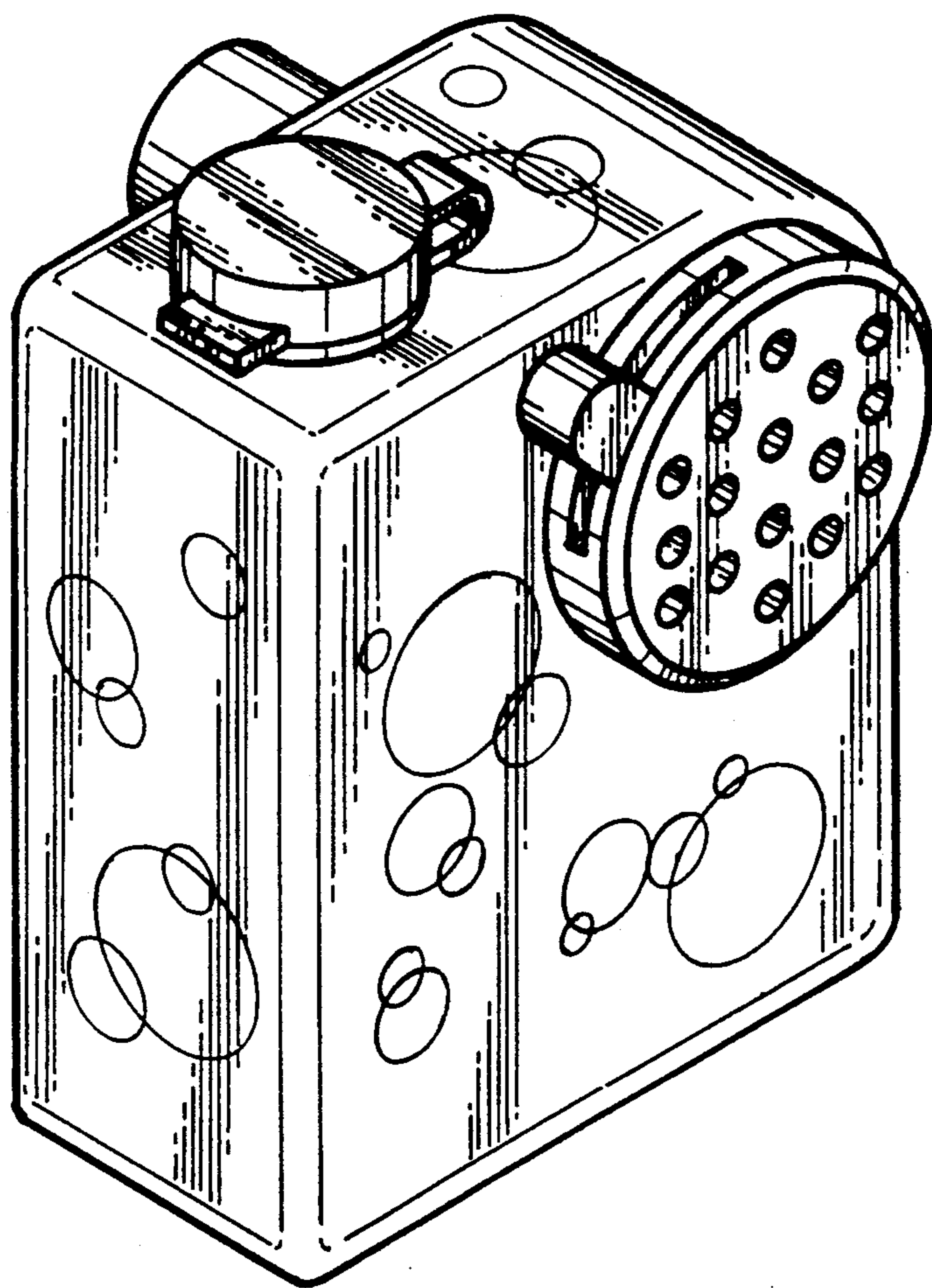


FIG. 1

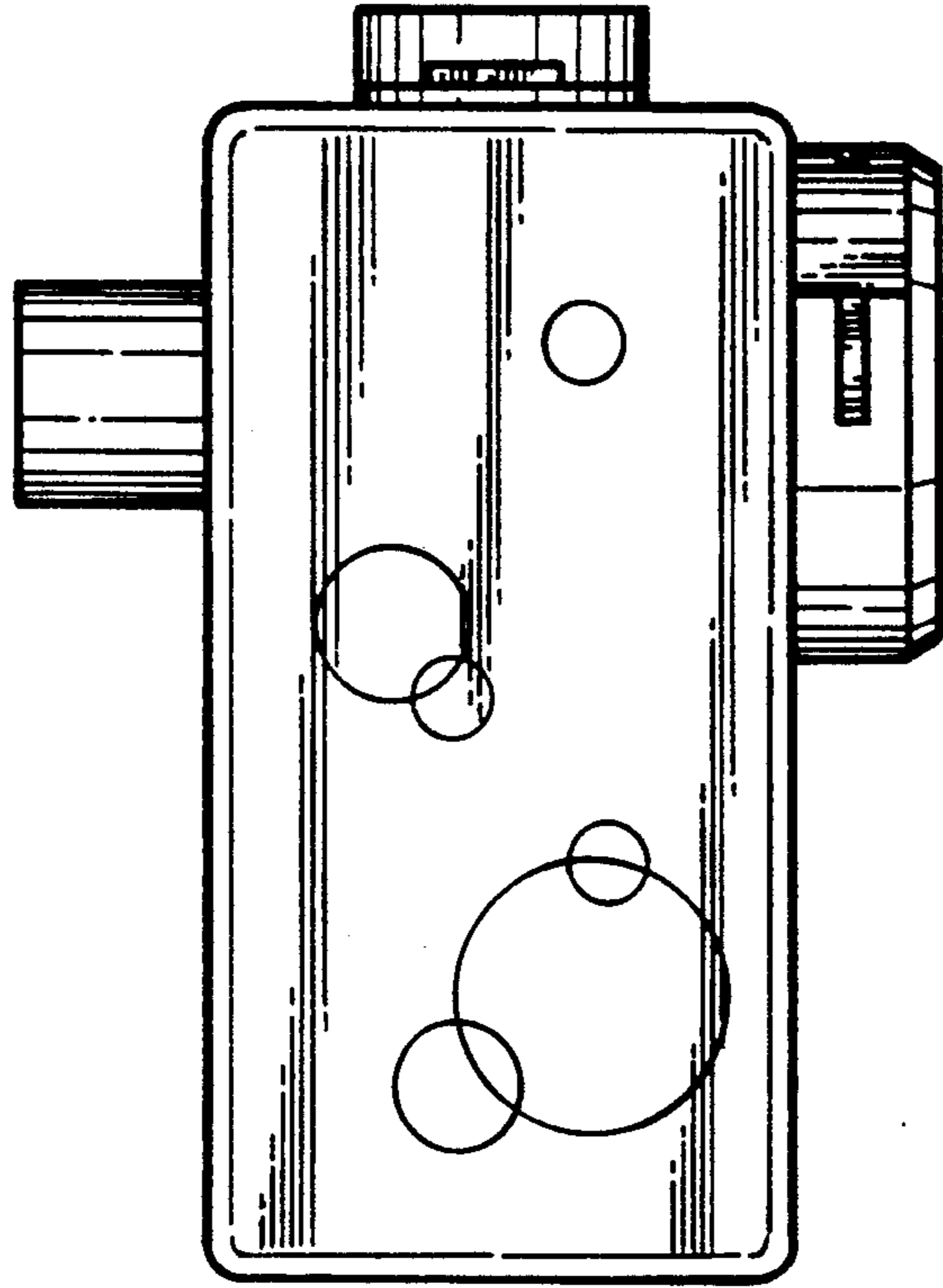


FIG. 2

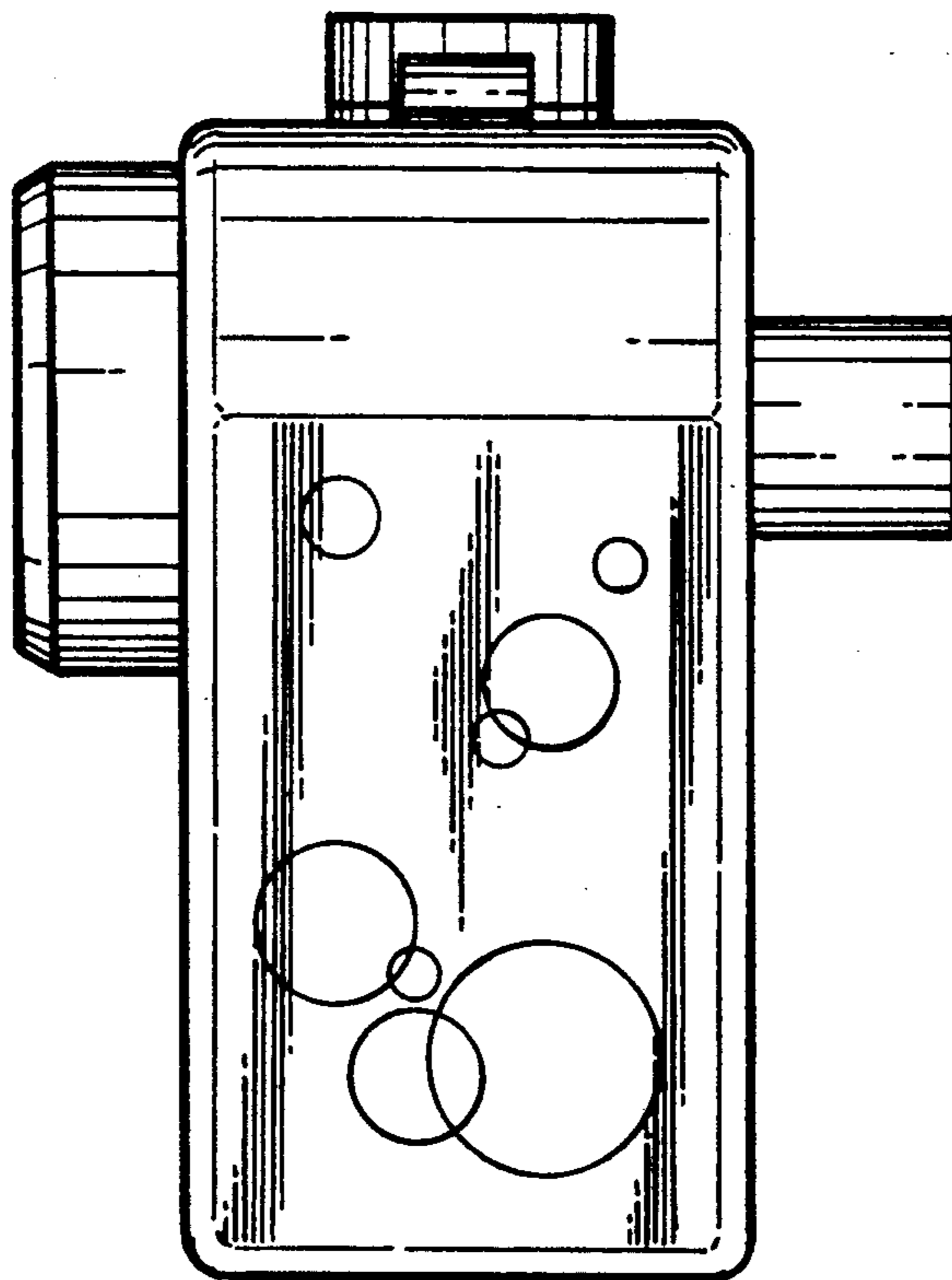


FIG. 3

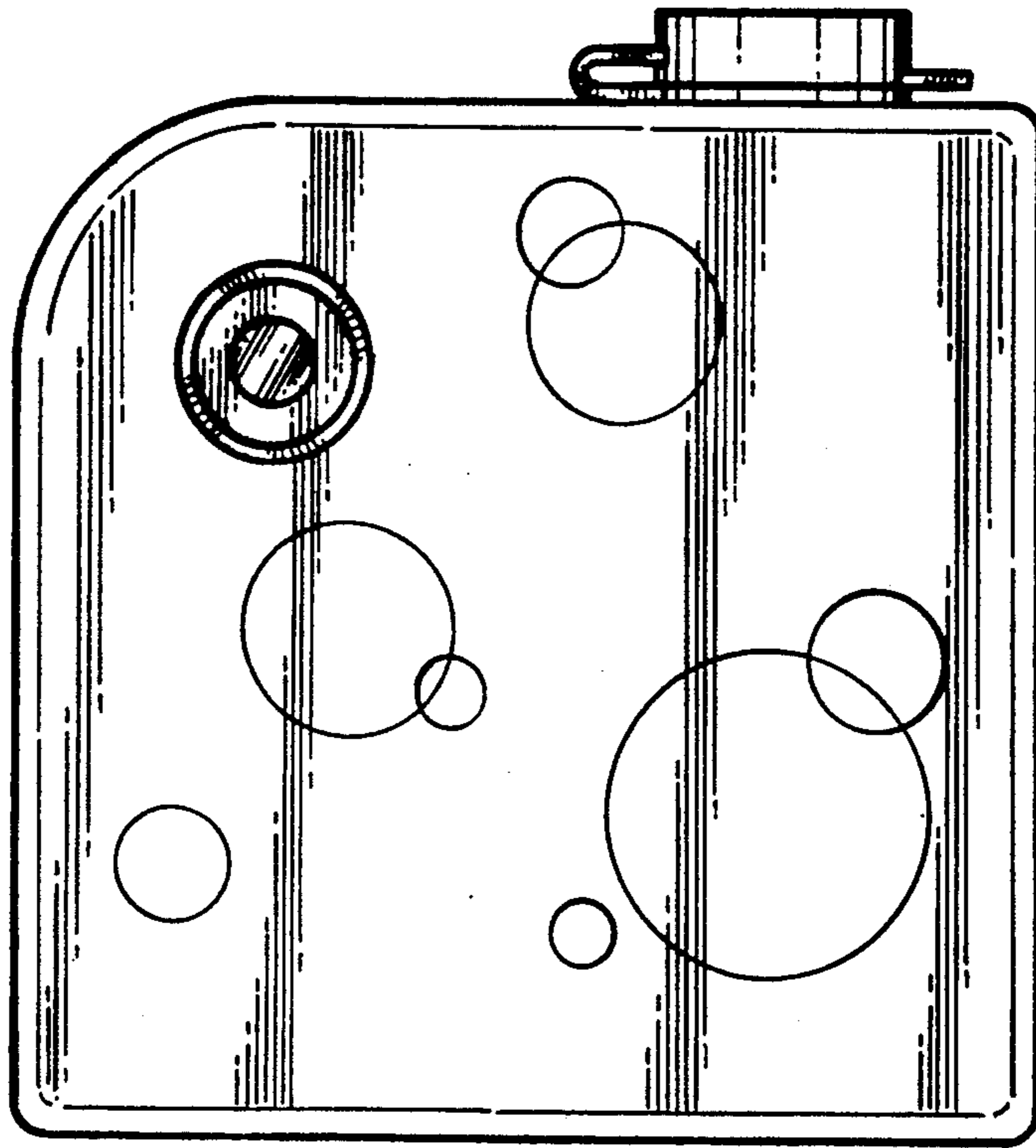


FIG. 4

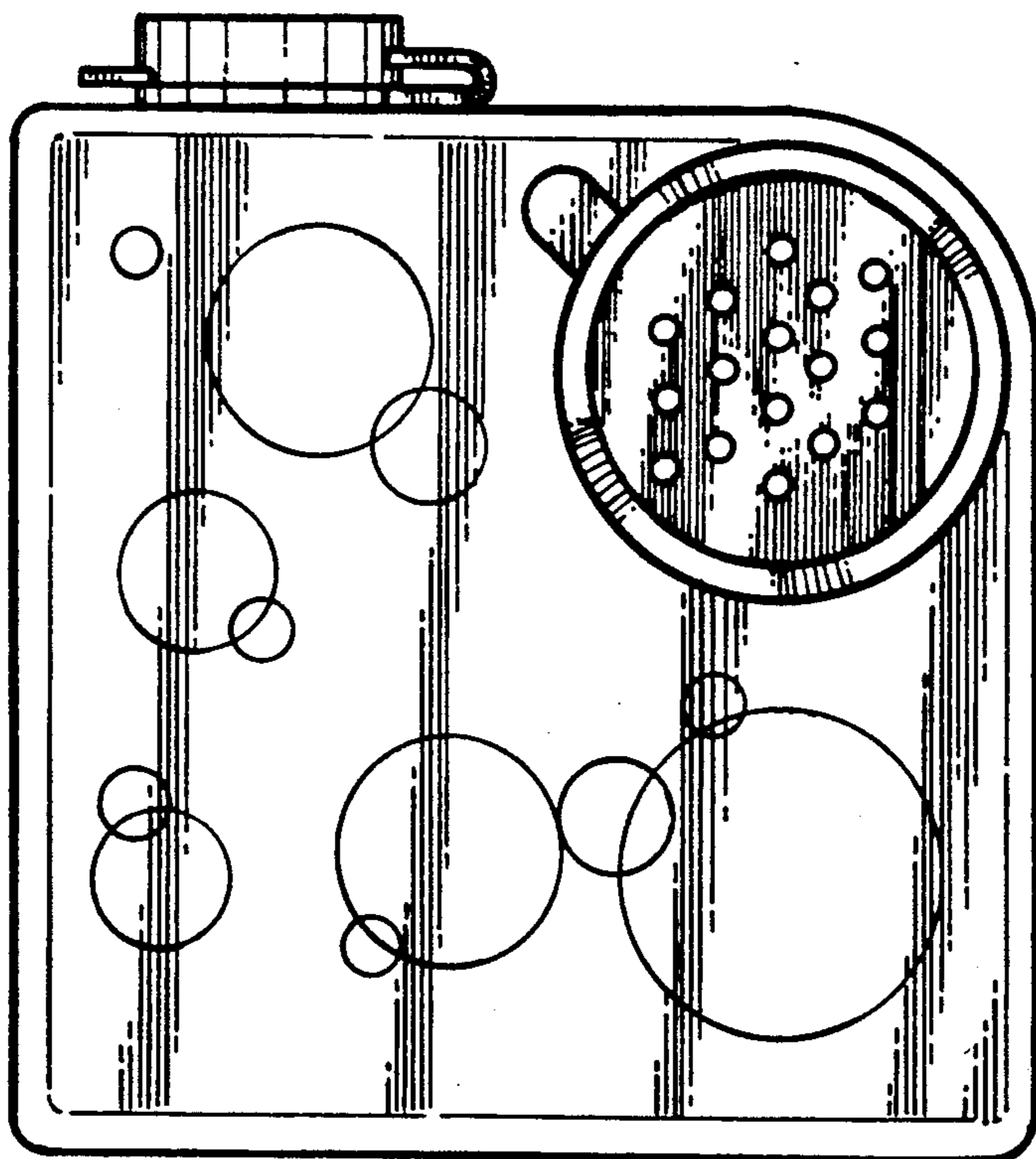


FIG. 5

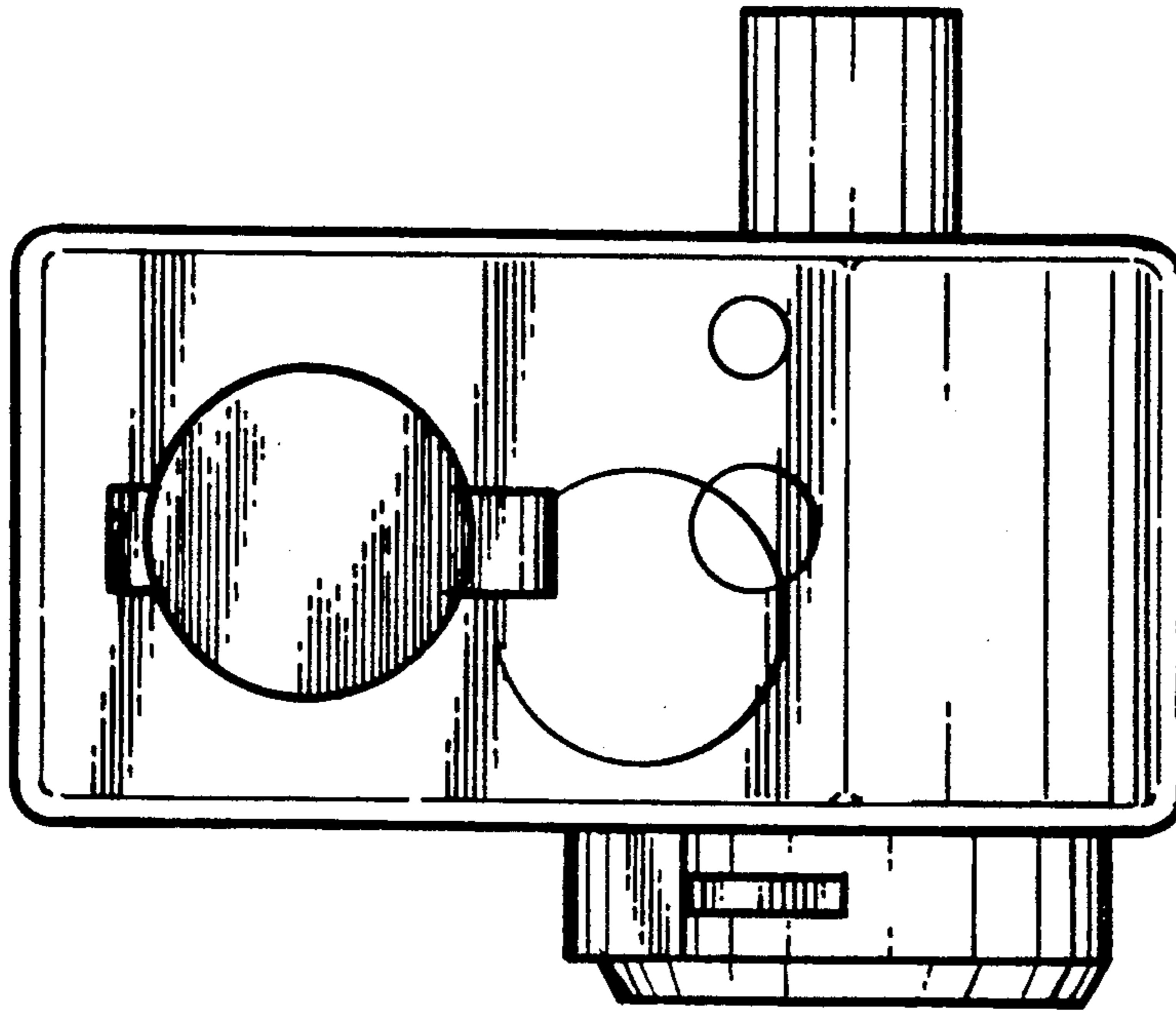


FIG. 6

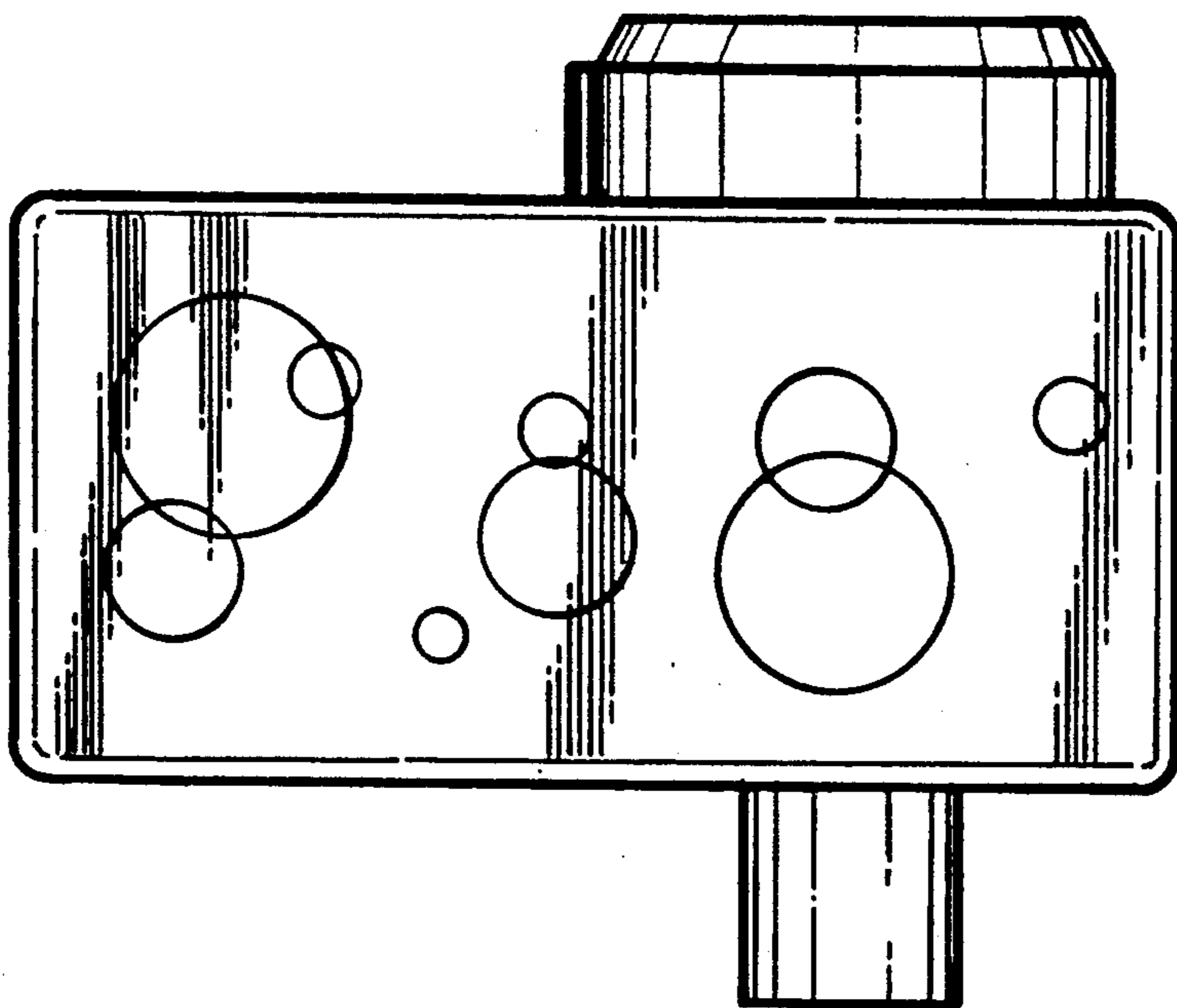


FIG. 7