



US00D331782S

United States Patent [19]

[11] Patent Number: **Des. 331,782**

Delgrange

[45] Date of Patent: **** Dec. 15, 1992**

[54] **LOTTERY DRAWING MACHINE**

4,930,779 6/1990 Maddox D21/37
4,961,578 10/1990 Chateau 273/144 A

[76] Inventor: **Jacques Delgrange**, 95 Rue de Progres, 59390 Lys Lez Lannoy, France

OTHER PUBLICATIONS

Play Meter Feb. 1989, p. 78, Lotto Master, center.

[**] Term: **14 Years**

Primary Examiner—Bernard Ansher

[21] Appl. No.: **534,416**

Assistant Examiner—Sandra Morris

[22] Filed: **Jun. 7, 1990**

Attorney, Agent, or Firm—Kerkam, Stowell, Kondracki & Clarke

[30] **Foreign Application Priority Data**

[57] CLAIM

Dec. 7, 1989 [FR] France 897649

The ornamental design for a lottery drawing machine, as shown and described.

[52] U.S. Cl. **D21/39**

[58] Field of Search D21/37, 39; 273/143 A, 273/144 R, 144 A, 144 B

DESCRIPTION

[56] **References Cited**

U.S. PATENT DOCUMENTS

D. 284,292 6/1986 Smirne D21/39
4,786,056 11/1988 Dunnigan 273/144 A
4,834,385 5/1989 Jackson 273/144 A
4,846,476 7/1989 Hanna 273/144 A

FIG. 1 is a perspective view of a lottery drawing machine, showing my new design;
FIG. 2 is a reduced front elevational view thereof;
FIG. 3 is a reduced right side elevational view thereof;
FIG. 4 is a reduced left side elevational view thereof;
FIG. 5 is a reduced top plan view thereof;
FIG. 6 is a reduced bottom plan view thereof; and,
FIG. 7 is a reduced rear elevational view thereof.

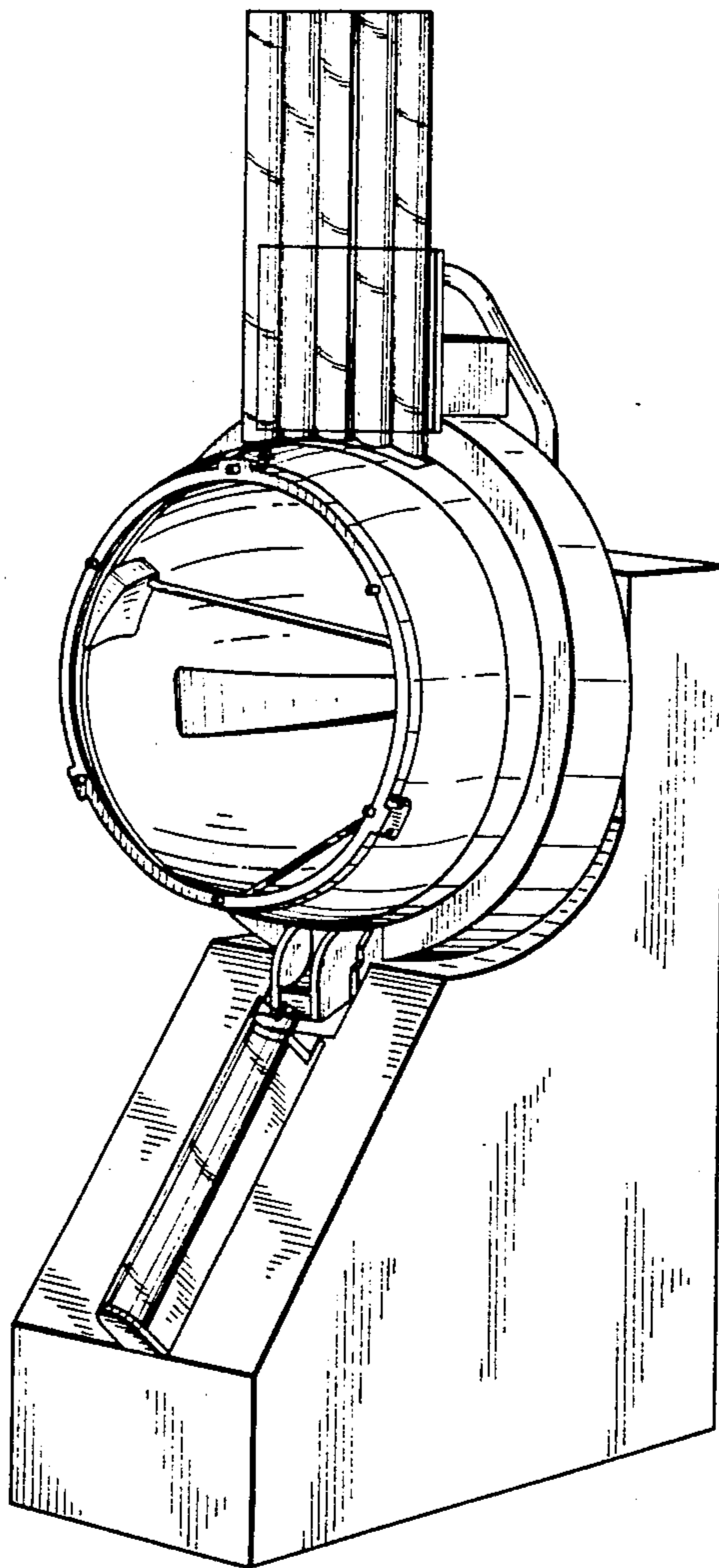
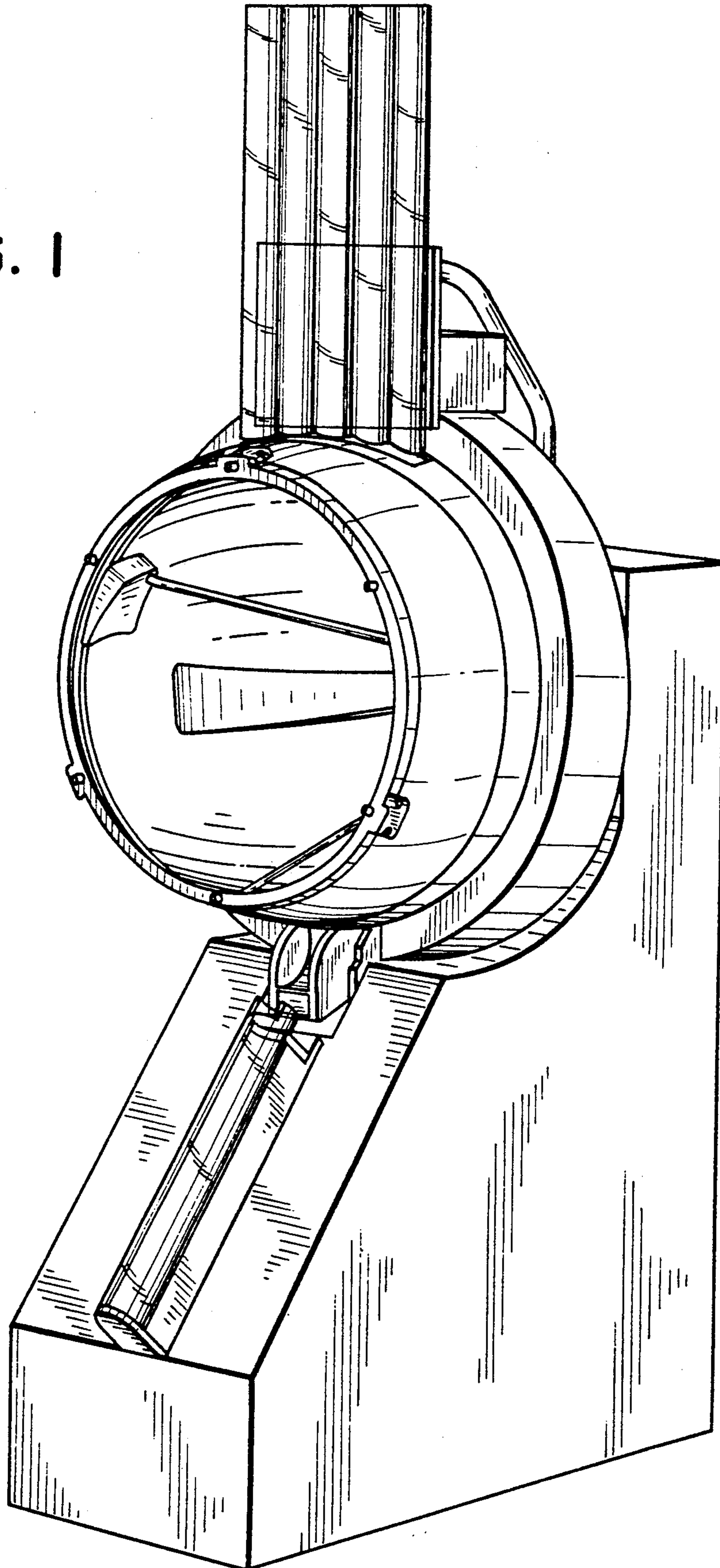


FIG. 1



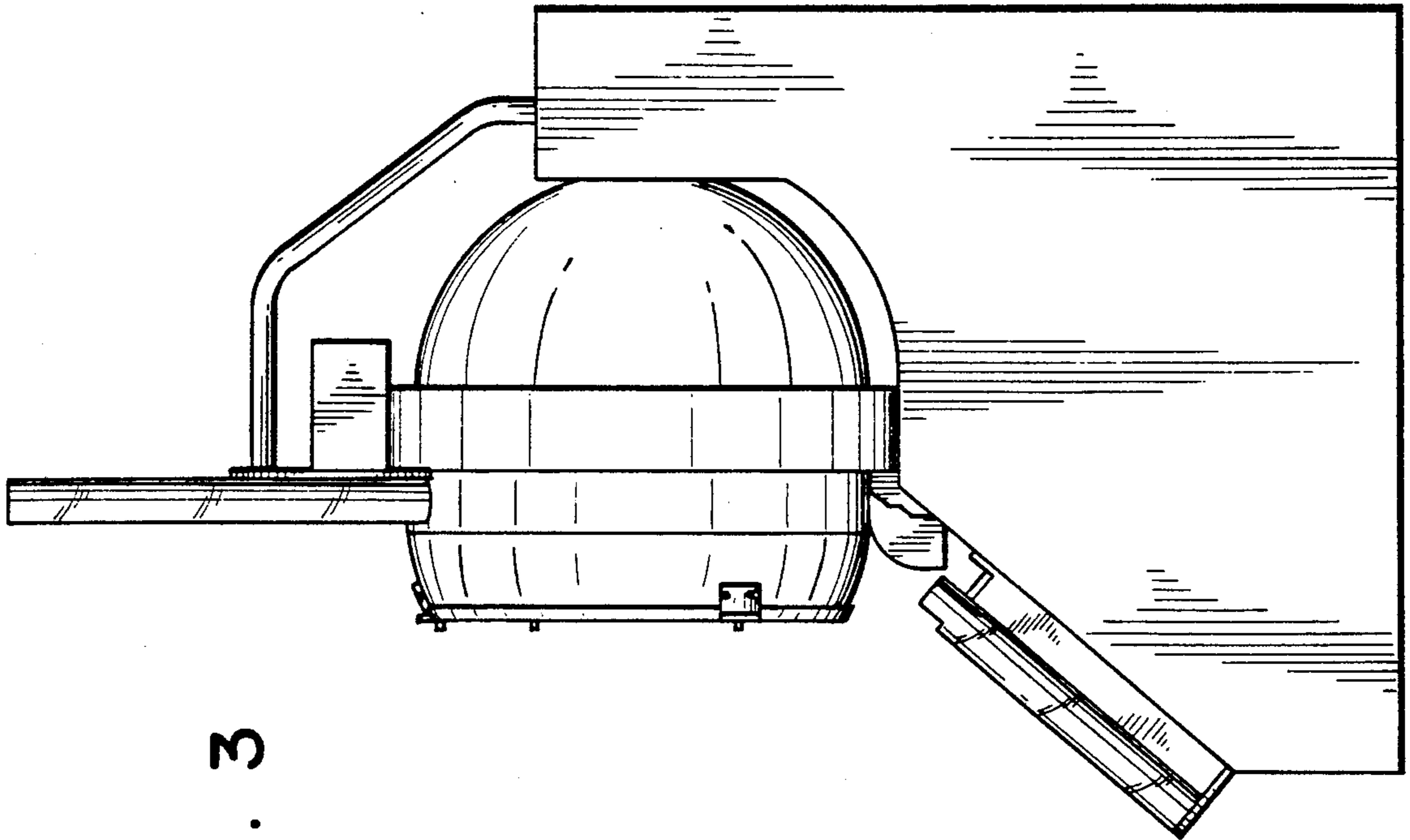


FIG. 3

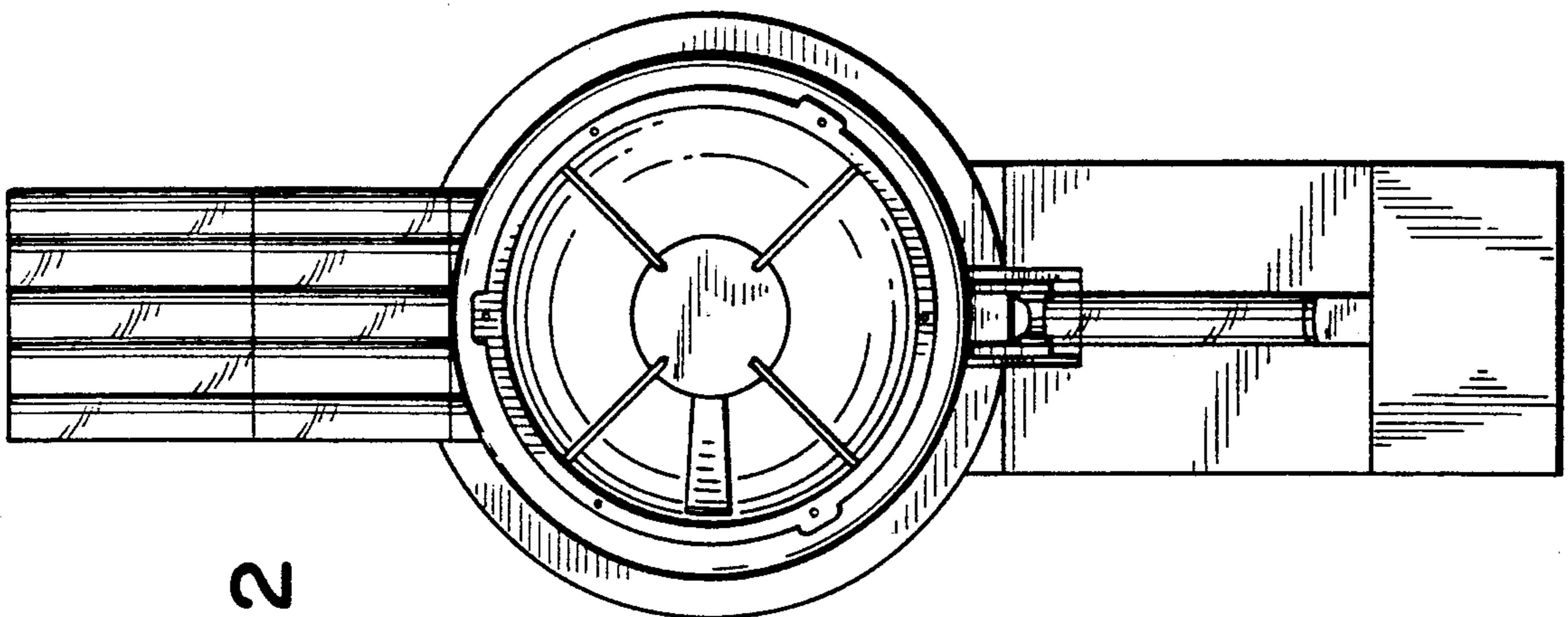


FIG. 2

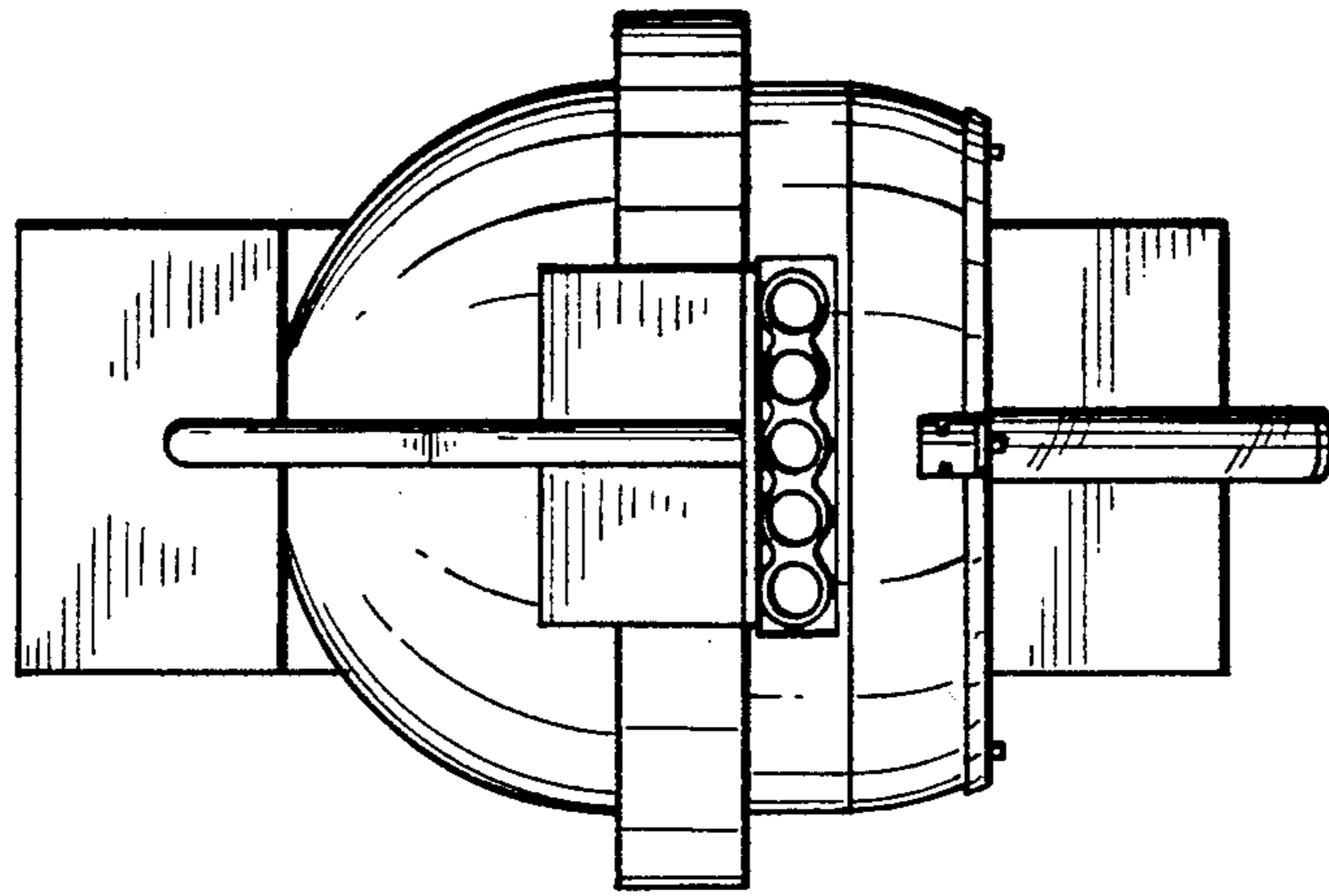


FIG. 5

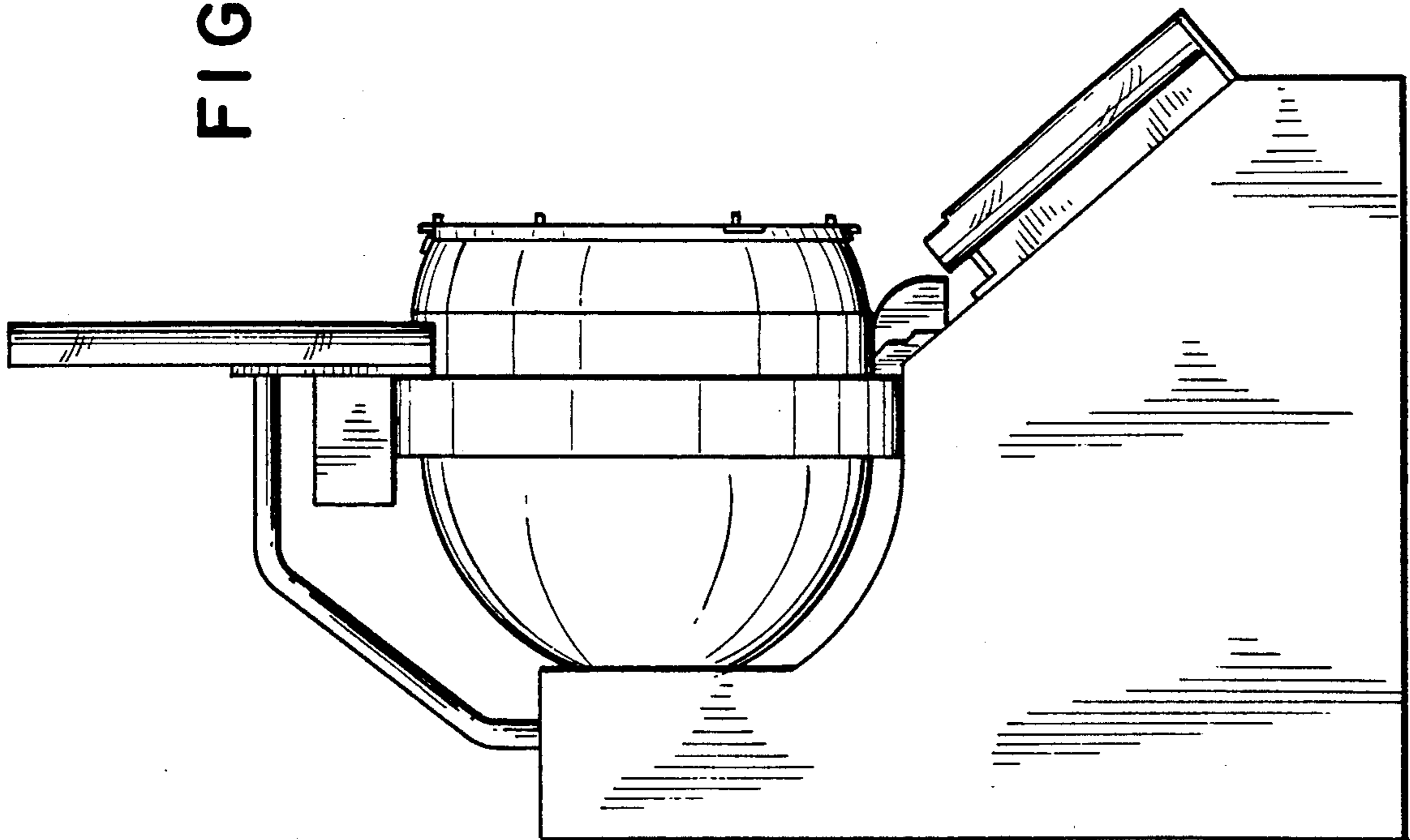


FIG. 4

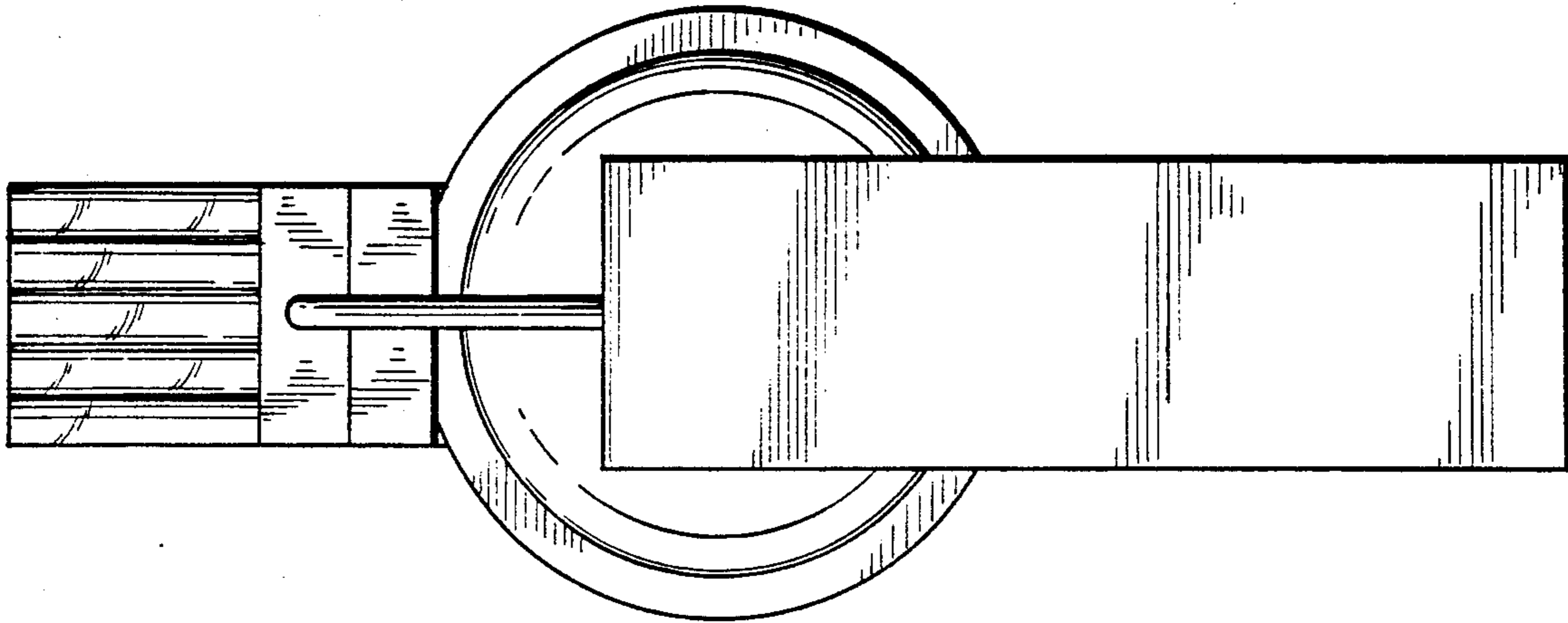


FIG. 7

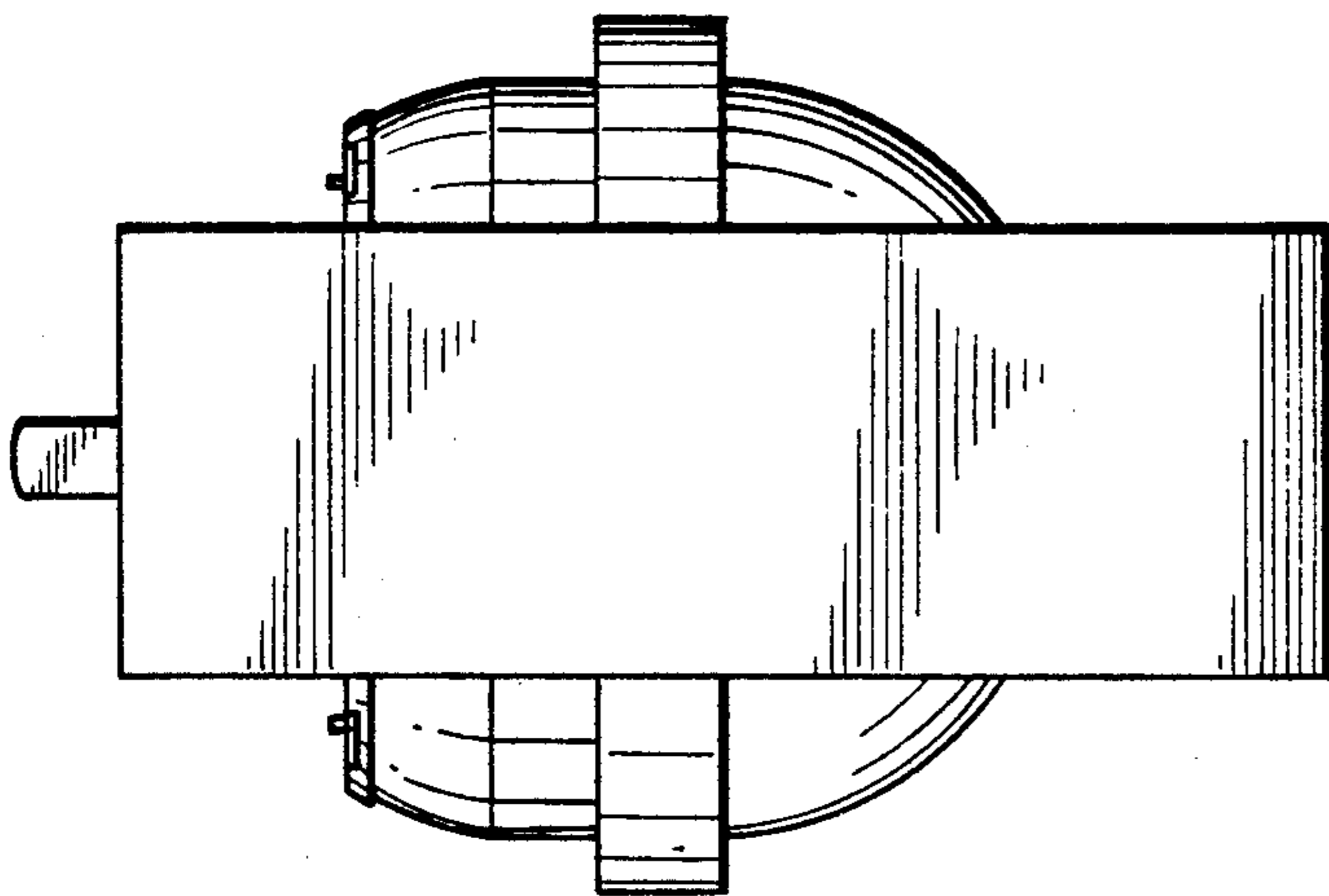


FIG. 6