



US00D331776S

United States Patent [19]

Chu

[11] Patent Number: **Des. 331,776**

[45] Date of Patent: **** Dec. 15, 1992**

[54] **SUSPENSION BAR FOR A BINDER**
 [75] Inventor: **Cornel Chu**, London, England
 [73] Assignee: **Hi-Tech Industries Limited**, London, England

4,011,018 3/1977 Doolittle D19/32
 4,060,330 11/1977 Baccile D19/32
 4,483,637 11/1984 Vpdegrave et al. 402/15
 4,486,111 12/1984 Hulber et al. 402/17
 4,722,626 2/1988 Abildgaard 402/4

[**] Term: **14 Years**

Primary Examiner—A. Hugo Word
Assistant Examiner—Doris Clark
Attorney, Agent, or Firm—Armstrong & Kubovcik

[21] Appl. No.: **574,004**

[22] Filed: **Aug. 28, 1990**

[57] CLAIM

[30] Foreign Application Priority Data

The ornamental design for a suspension bar for a binder, as shown and described.

Mar. 6, 1990 [GB] United Kingdom 2005199

[52] U.S. Cl. **D19/32; D25/119**

[58] Field of Search **D19/32; D25/119; 402/4, 402/14, 15, 17, 64, 65**

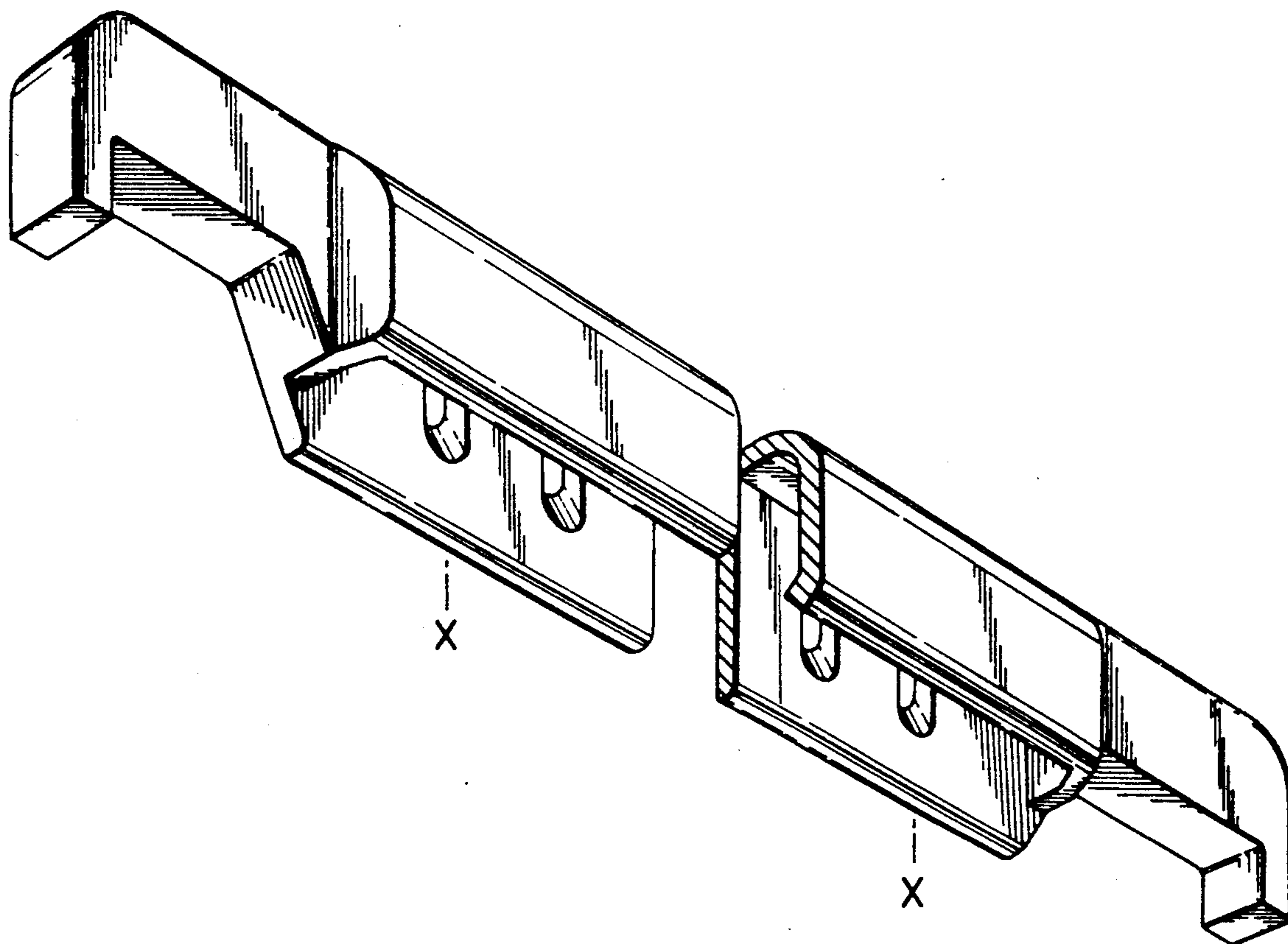
DESCRIPTION

[56] References Cited

U.S. PATENT DOCUMENTS

D. 201,662 7/1965 Ravreby D19/32
 D. 311,420 10/1990 Moor D19/32
 3,776,648 12/1973 Price 402/17

FIG. 1 is a perspective view of a suspension bar for a binder showing my new design, the suspension bar is broken in the center to show indeterminate length; FIG. 2 is an end elevational view thereof; FIG. 3 is a top plan view thereof; FIG. 4 is a rear elevational view thereof; and, FIG. 5 is a cross sectional view taken along line 5—5 of FIG. 4.



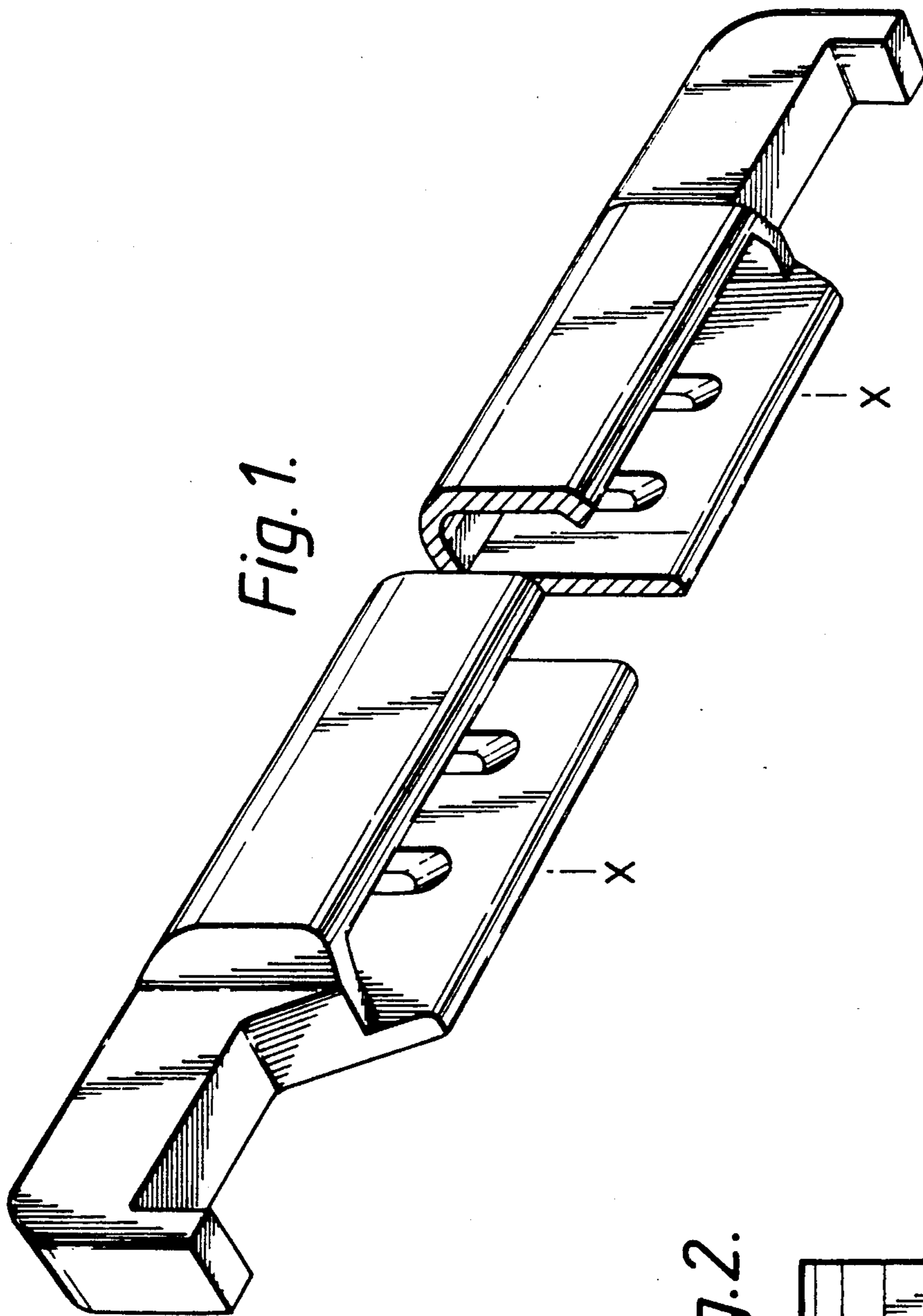


Fig. 2.



Fig. 3.

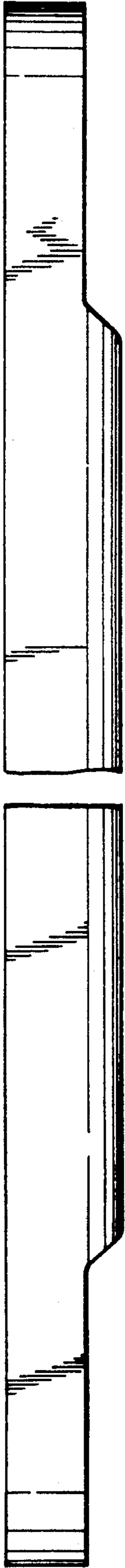


Fig. 4.

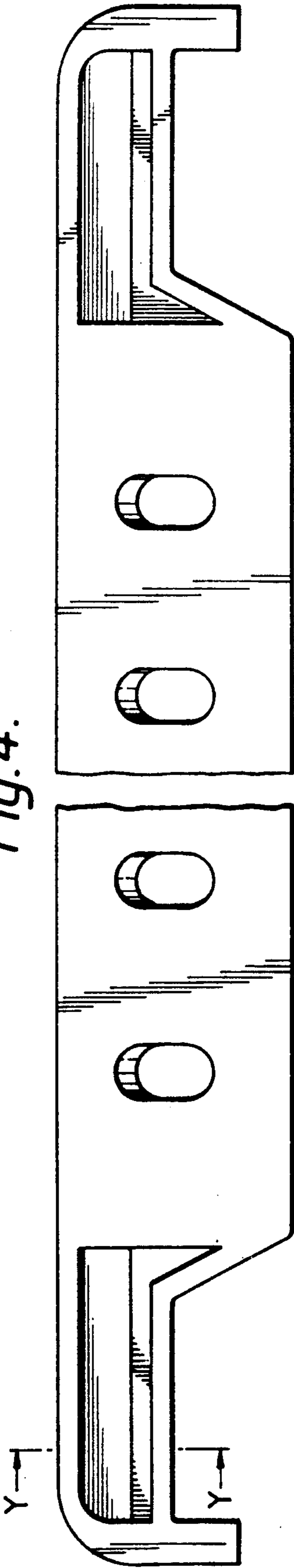


Fig. 5.

