



US00D331773S

United States Patent [19]

Shibata

[11] Patent Number: **Des. 331,773**

[45] Date of Patent: **** Dec. 15, 1992**

[54] TONER CARTRIDGE

[75] Inventor: **Kiyotaka Shibata, Osaka, Japan**

[73] Assignee: **Mita Industrial Co., Ltd., Osaka, Japan**

[**] Term: **14 Years**

[21] Appl. No.: **513,518**

[22] Filed: **Apr. 23, 1990**

[30] **Foreign Application Priority Data**

Dec. 8, 1989 [JP] Japan 1-44670

[52] U.S. Cl. **D18/43; D18/40**

[58] Field of Search **D18/43, 22, 40; D19/66, D19/70, 71; 118/657; 141/1; 206/216, 316, 446, 461, 467, 474, 495, 527, 532, 601, 628, 631, 633; 222/DIG. 1, 166, 240, 325, 541; 355/298**

[56]

References Cited

U.S. PATENT DOCUMENTS

D. 310,240 8/1990 Smith D18/43
D. 310,844 9/1990 Ohata D18/43
D. 310,845 9/1990 Ohata D18/43

Primary Examiner—Nelson C. Holtje
Assistant Examiner—Caron D. Veynar
Attorney, Agent, or Firm—Jordan and Hamburg

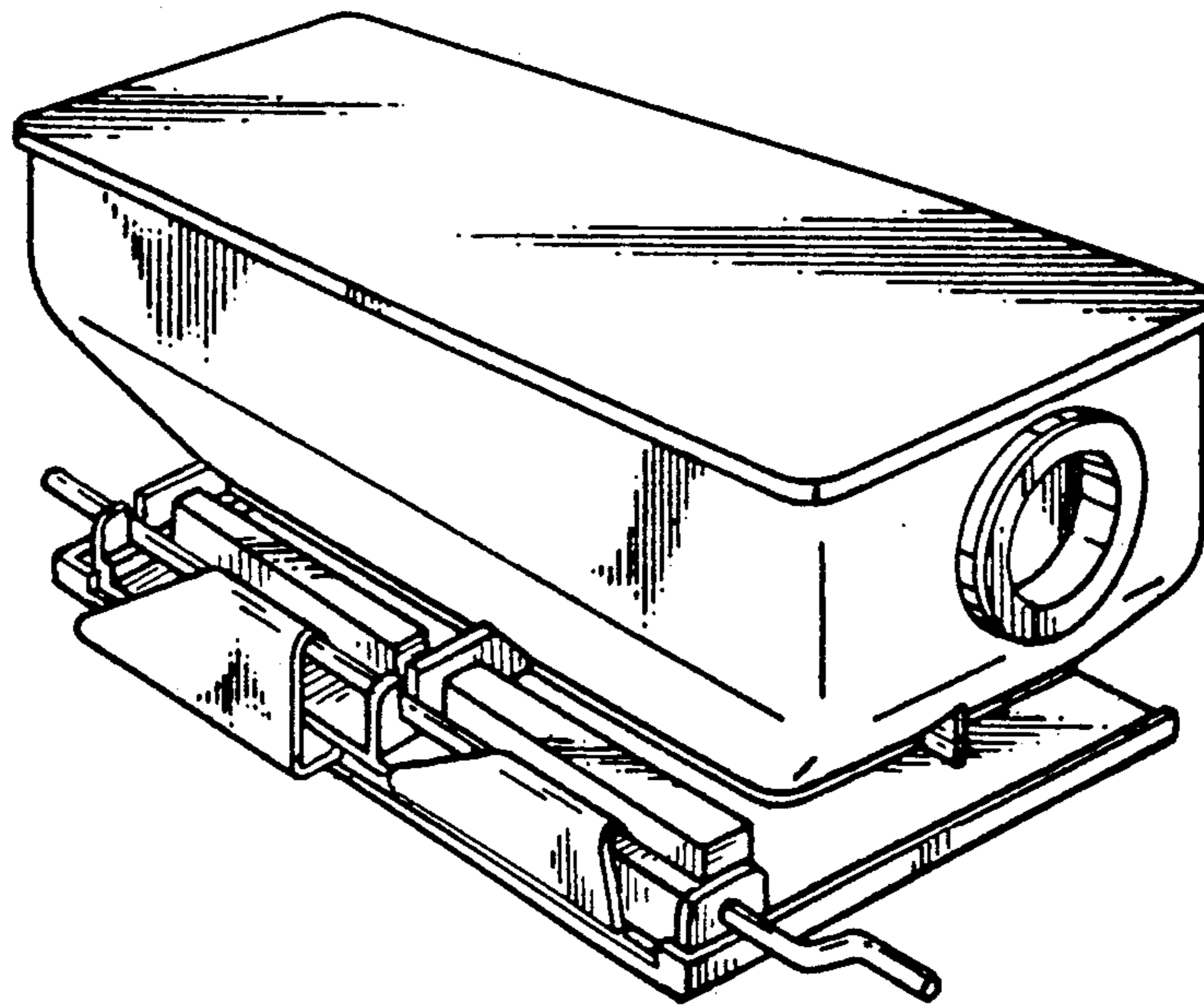
[57]

CLAIM

The ornamental design for a toner cartridge, as shown and described.

DESCRIPTION

FIG. 1 is a right, front perspective view of a toner cartridge showing my new design; FIG. 2 is a front elevational view; FIG. 3 is a top plan view; FIG. 4 is a rear elevational view; FIG. 5 is a left side elevational view; FIG. 6 is a right side elevational view; and, FIG. 7 is a bottom plan view.



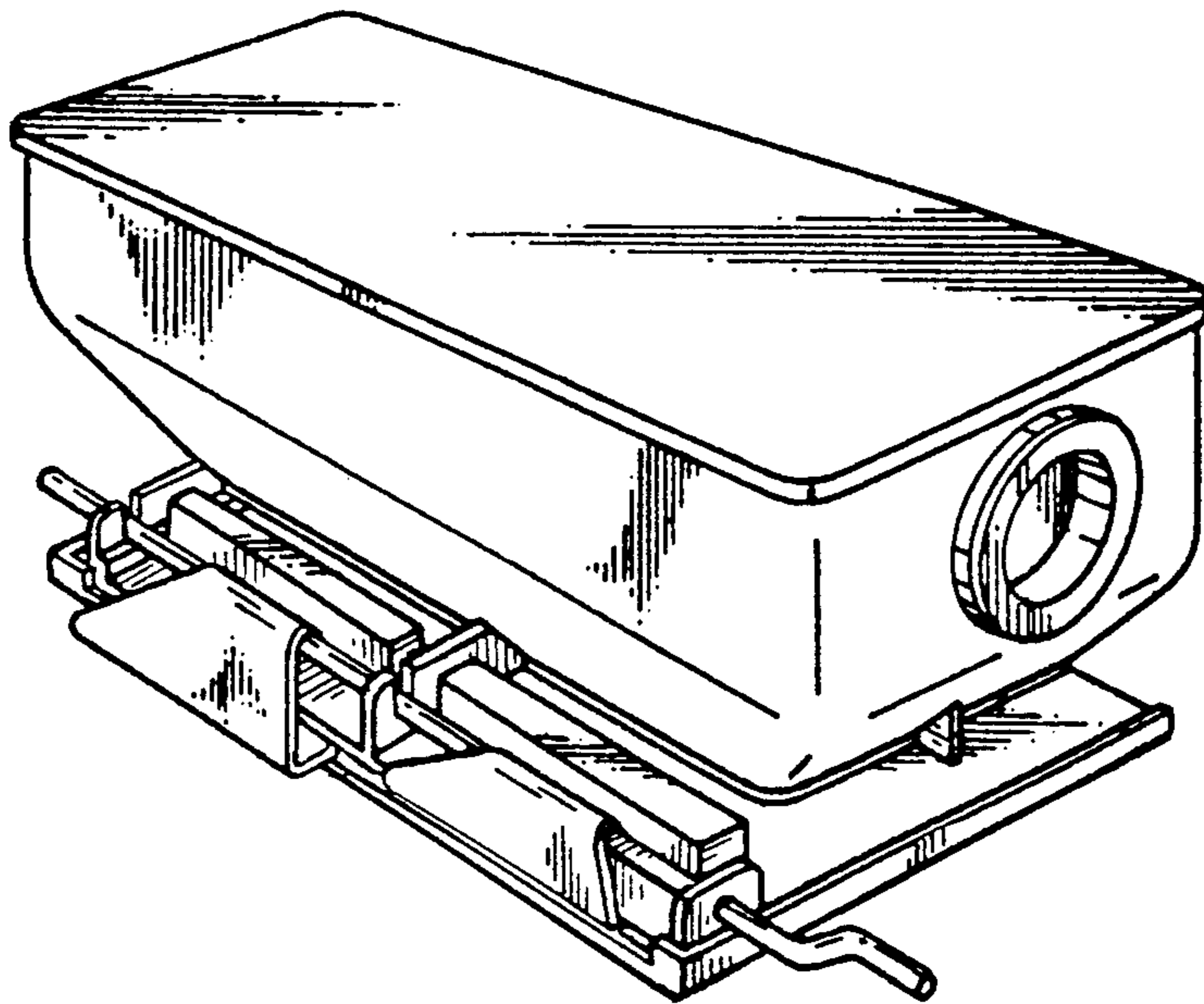


FIG. 1

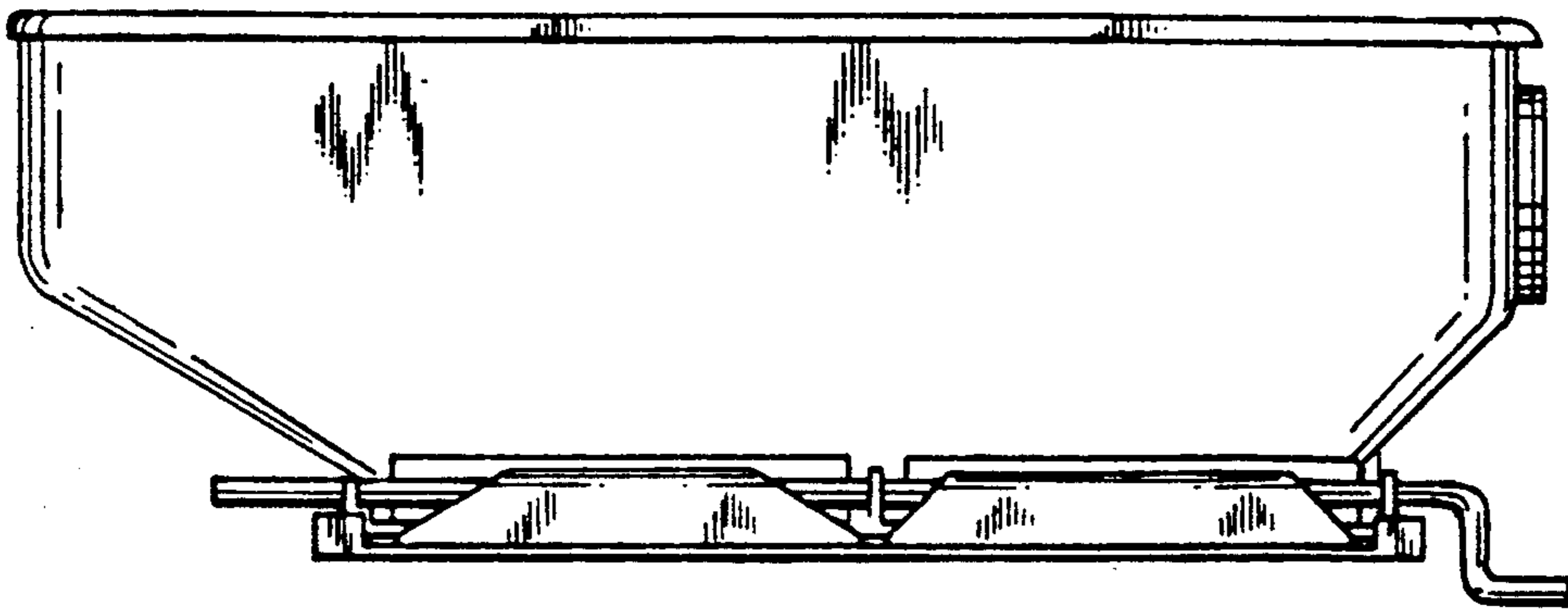


FIG. 2

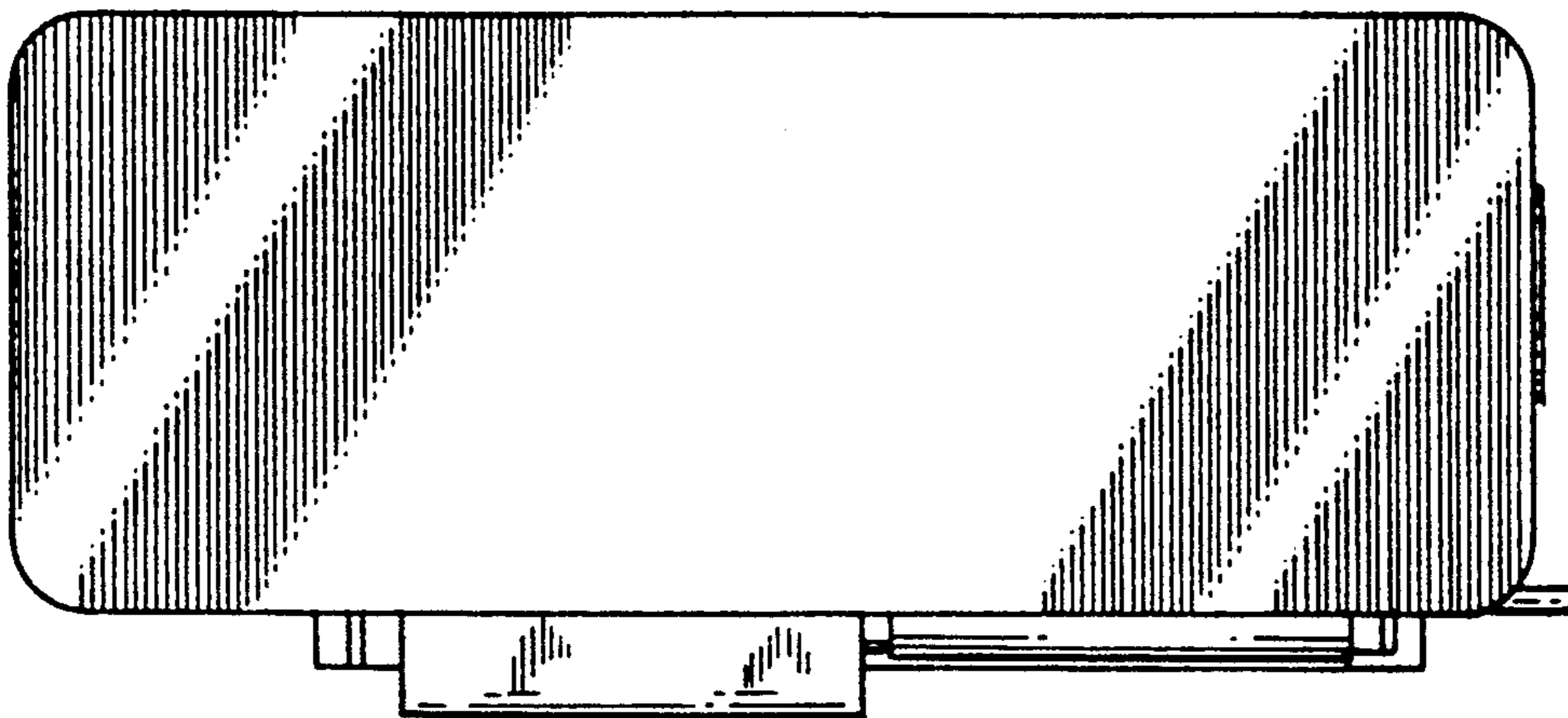


FIG. 3

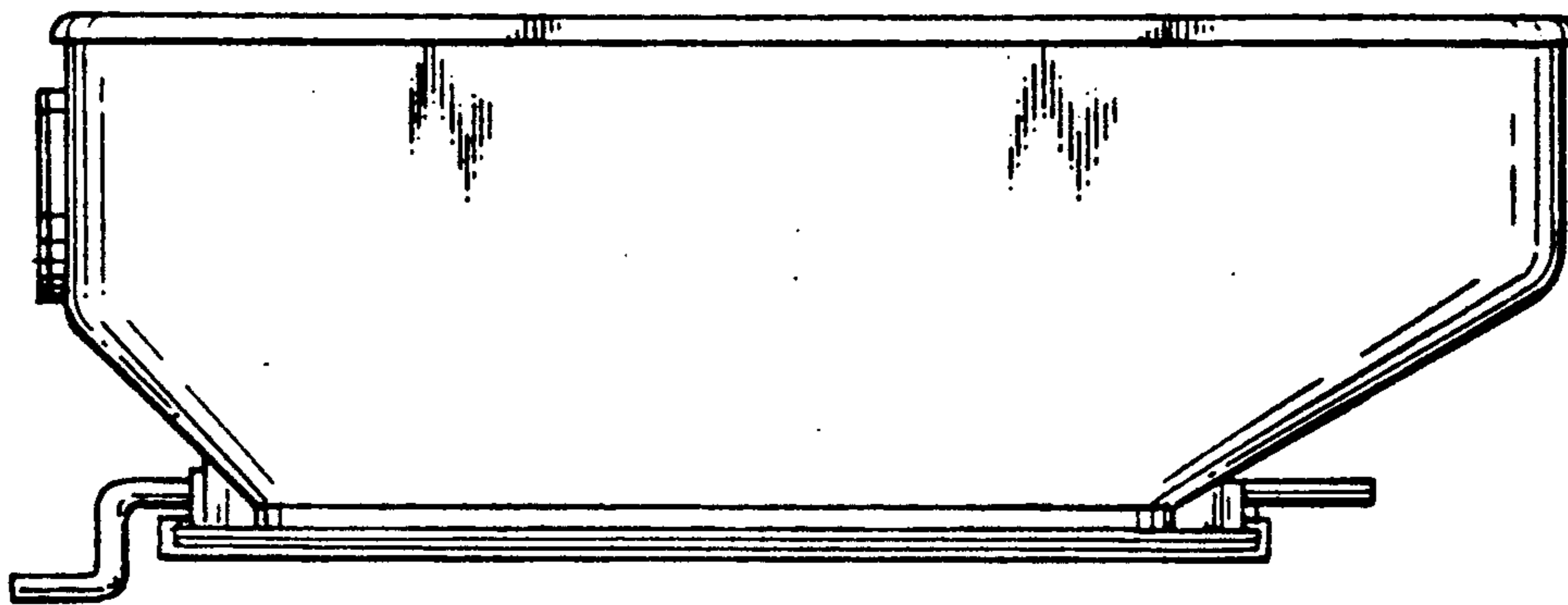


FIG. 4

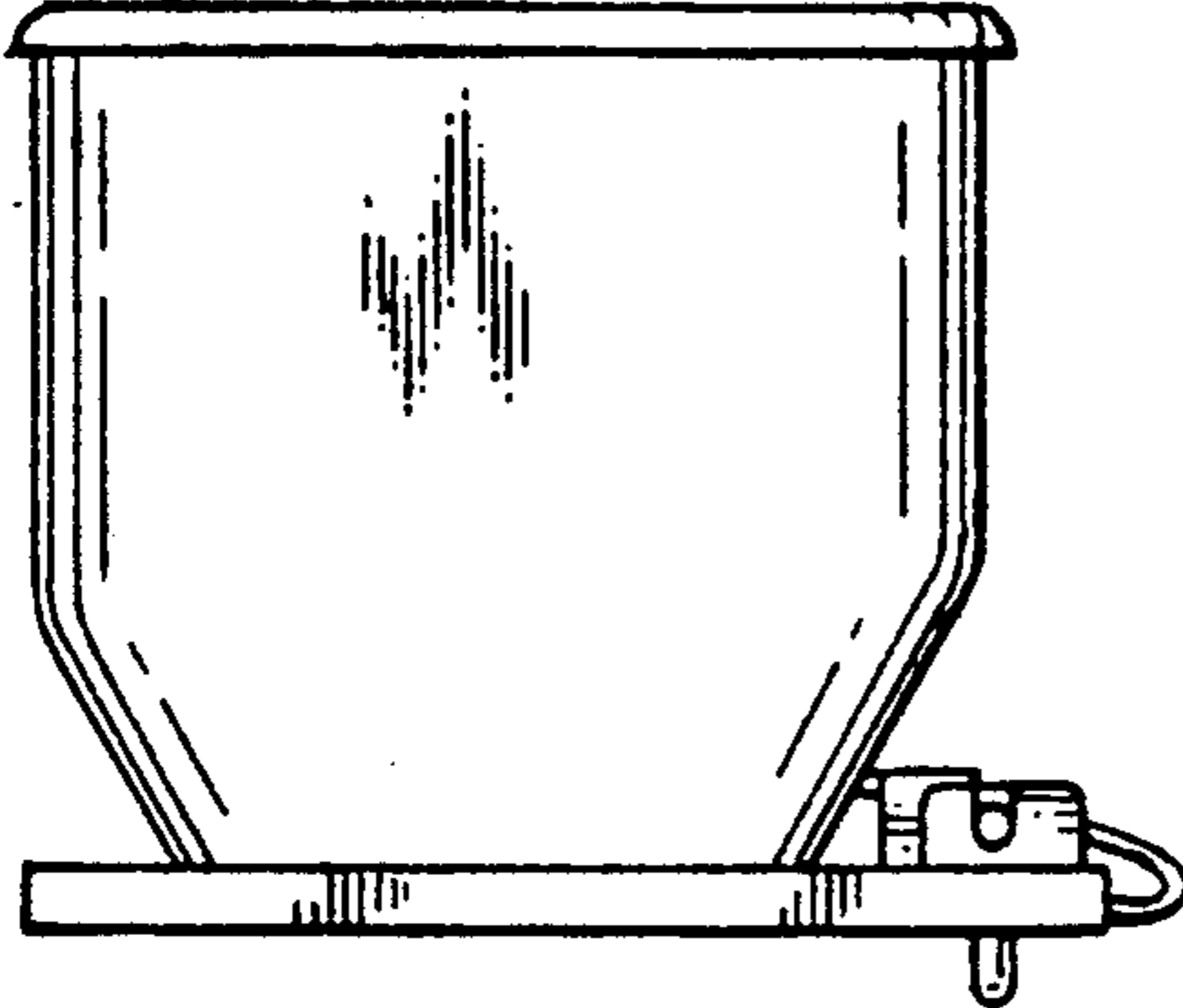


FIG. 5

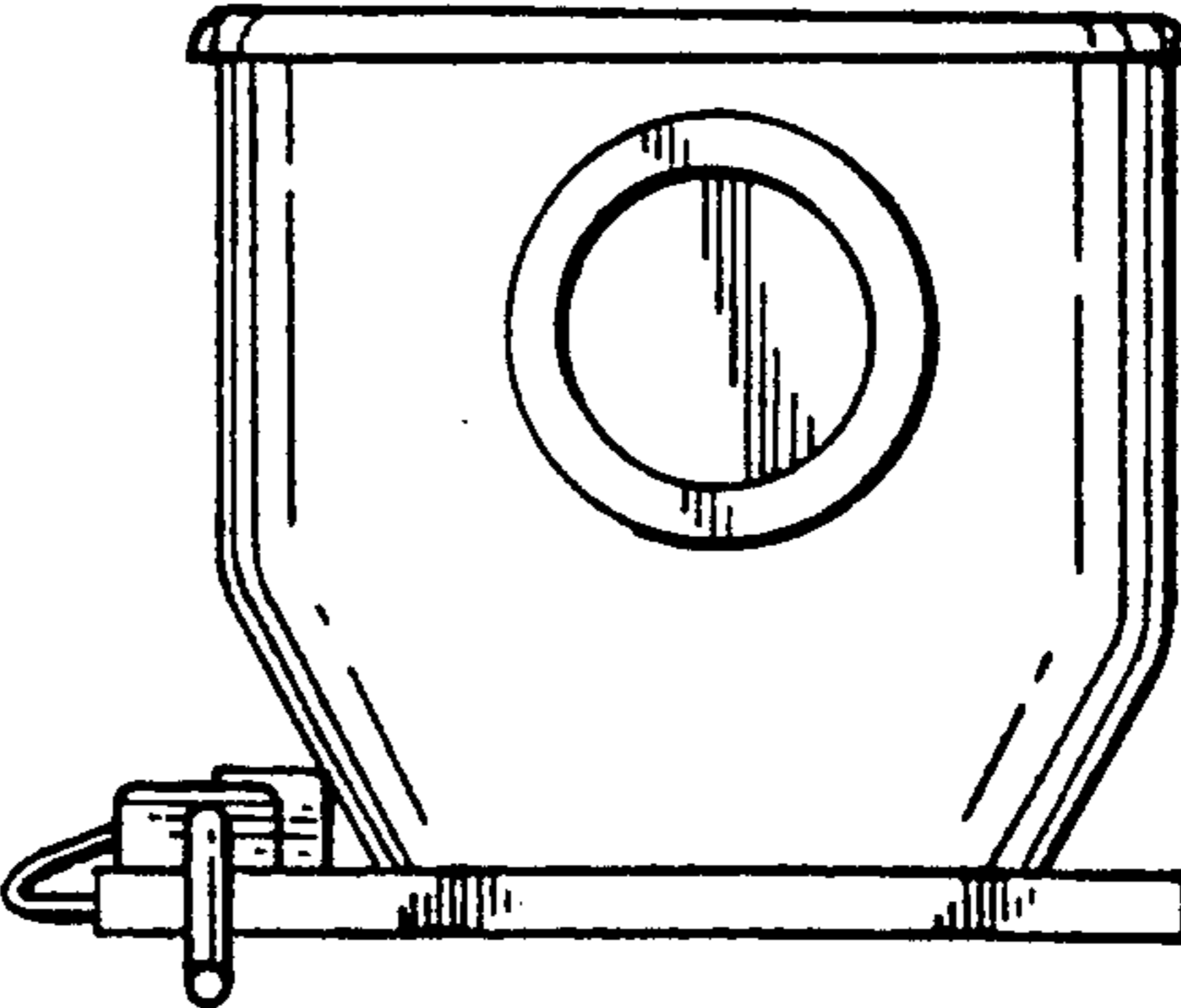


FIG. 6

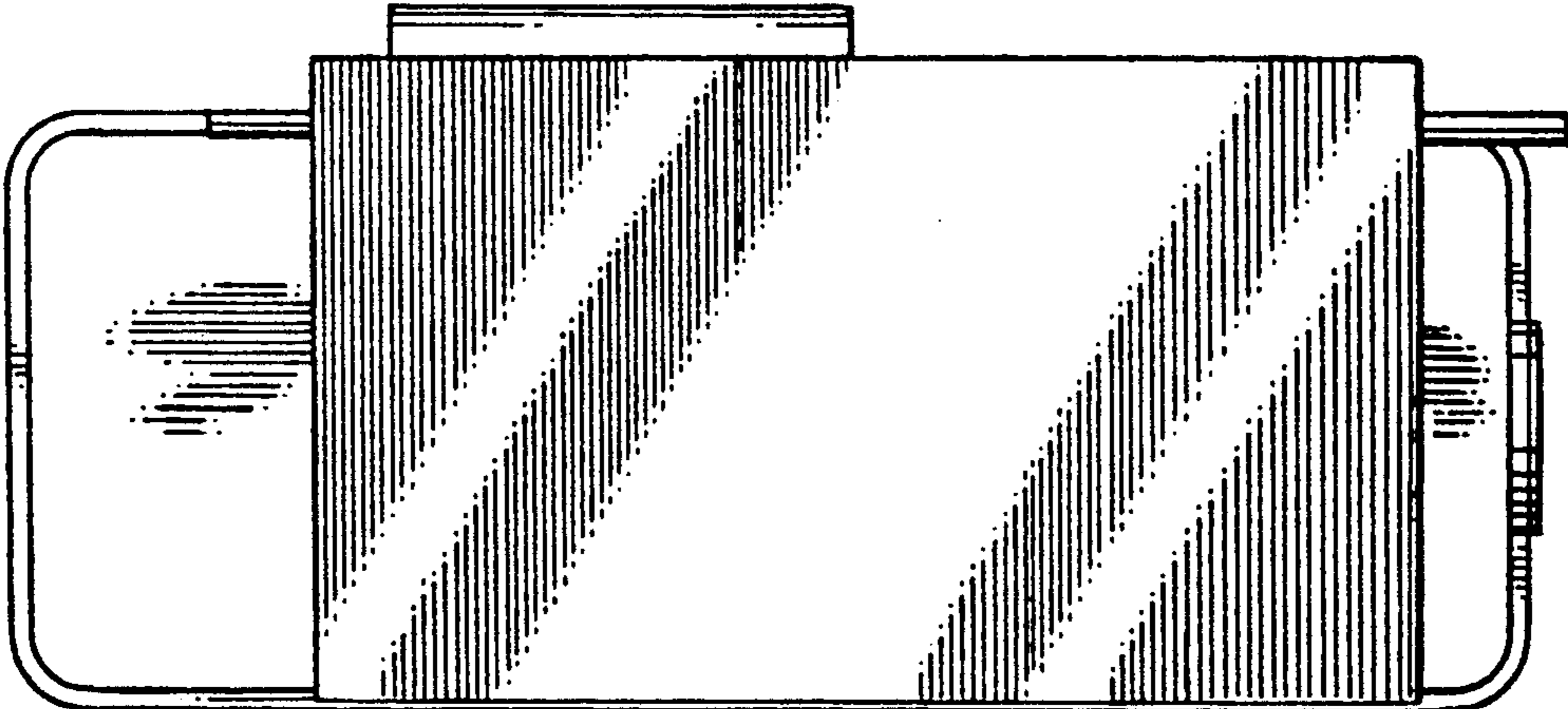


FIG. 7