



US00D331772S

United States Patent [19]

Suzuki et al.

[11] Patent Number: **Des. 331,772**

[45] Date of Patent: **** Dec. 15, 1992**

[54] **ELECTROSTATIC COPYING MACHINE**

[75] Inventors: **Yuji Suzuki, Tokyo; Yoshihisa Minakawa, Yokohama; Fumiyo Kojima, Mitaka; Mariko Ikeda, Tokyo, all of Japan**

[73] Assignee: **Ricoh Company, Ltd., Tokyo, Japan**

[**] Term: **14 Years**

[21] Appl. No.: **642,366**

[22] Filed: **Jan. 17, 1991**

[30] **Foreign Application Priority Data**

Jul. 17, 1990 [JP] Japan 024.343/1990

[52] U.S. Cl. **D18/38**

[58] Field of Search D18/36-39, D18/53; D14/118; 355/43-45, 49-51, 66, 112, 200, 210, 231, 233-236, 245, 326-328; 346/108, 153.1, 160; 354/5, 6, 14, 100

[56] **References Cited**

U.S. PATENT DOCUMENTS

D. 280,629 9/1985 Goto et al. D18/38
D. 297,739 9/1988 Hashimoto et al. D18/37

D. 300,749 4/1989 Tokuda D18/38
D. 313,038 12/1990 Hara et al. D18/37
D. 316,425 4/1991 Aoyama et al. D18/39
D. 318,485 7/1991 Hikawa et al. D18/37

OTHER PUBLICATIONS

The Office, Jul. 1985, p. 104, copier-front left.

Primary Examiner—Nelson C. Holtje

Assistant Examiner—Ann Hunt

Attorney, Agent, or Firm—Oblon, Spivak, McClelland, Maier & Neustadt

[57] CLAIM

The ornamental design for an electrostatic copying machine, as shown.

DESCRIPTION

FIG. 1 is a front elevational view of an electrostatic copying machine showing our new design; FIG. 2 is a right side elevational view thereof; FIG. 3 is a top plan view thereof; FIG. 4 is a rear elevational view thereof; FIG. 5 is a left side elevational view thereof; FIG. 6 is a bottom plan view thereof; and, FIG. 7 is a front, top and right side perspective view thereof.

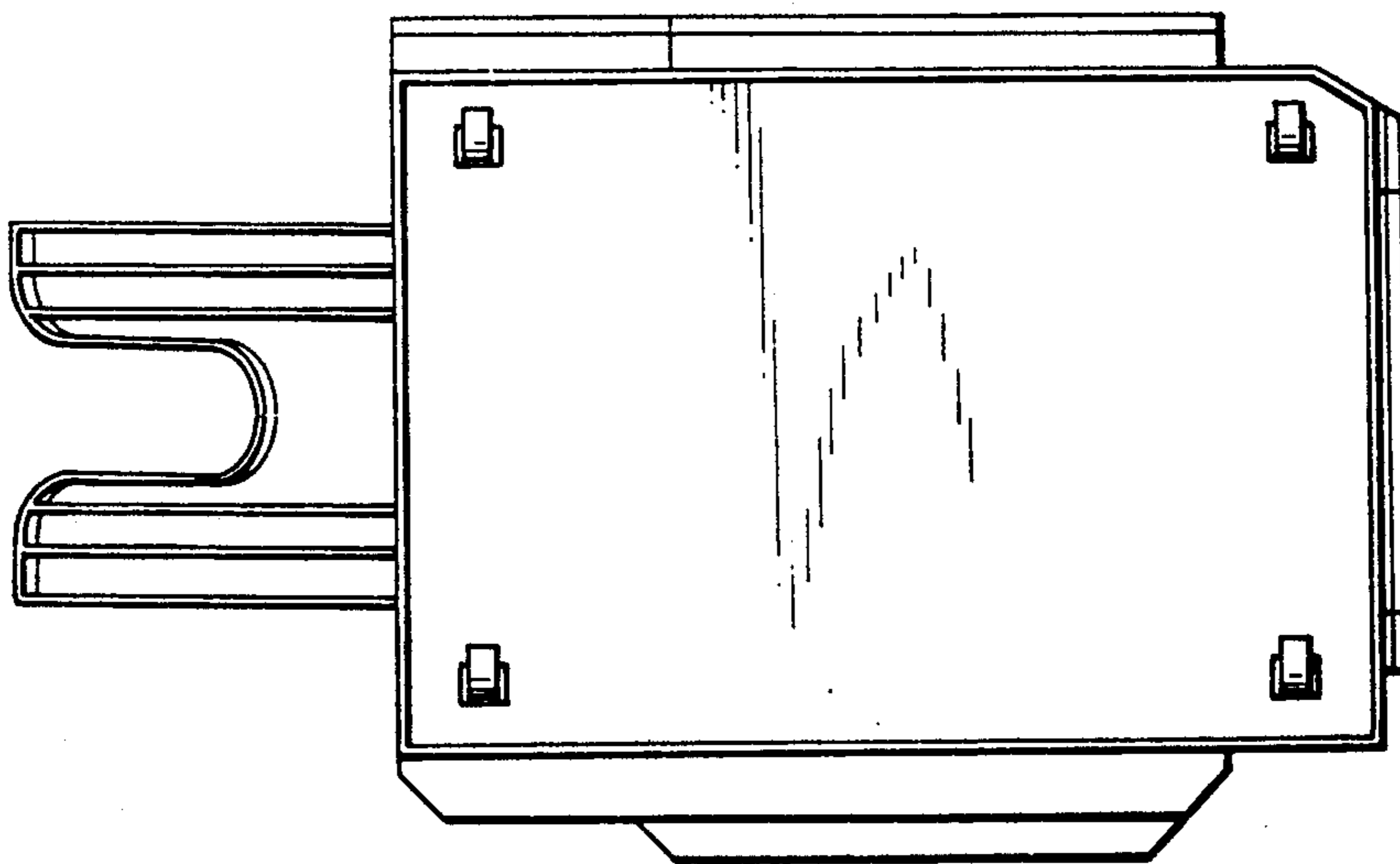


FIG. 1

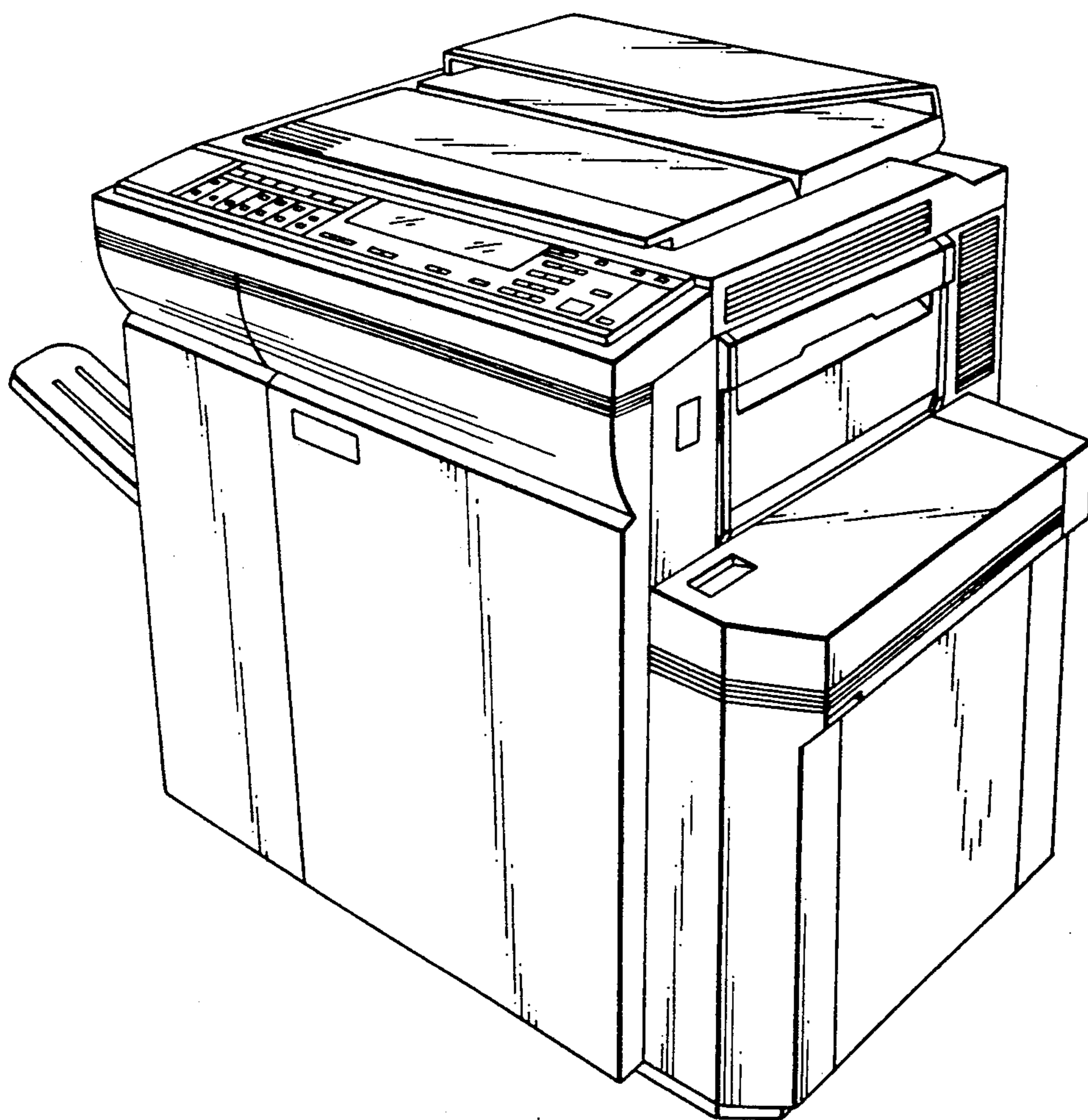


FIG. 3

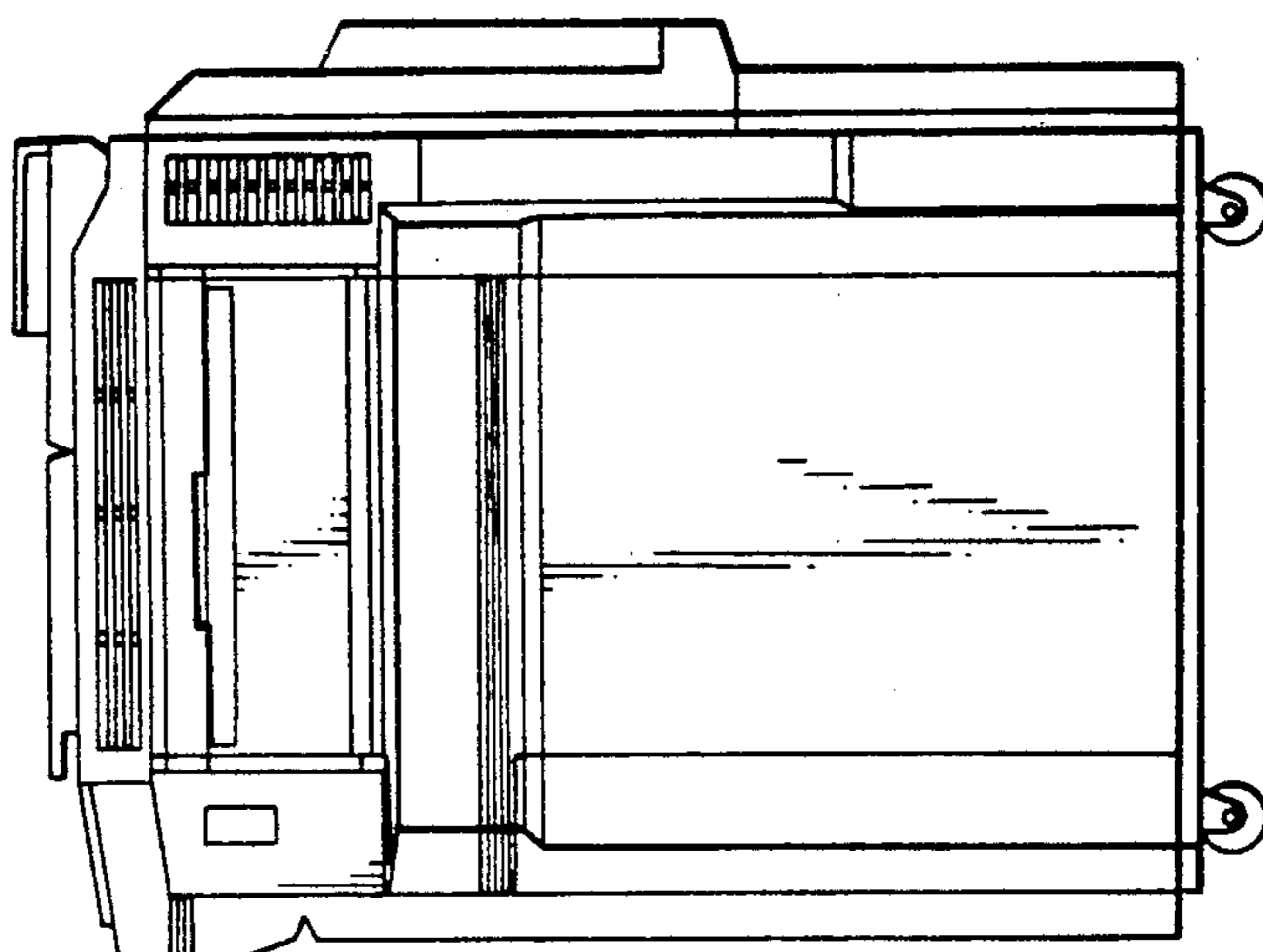


FIG. 2

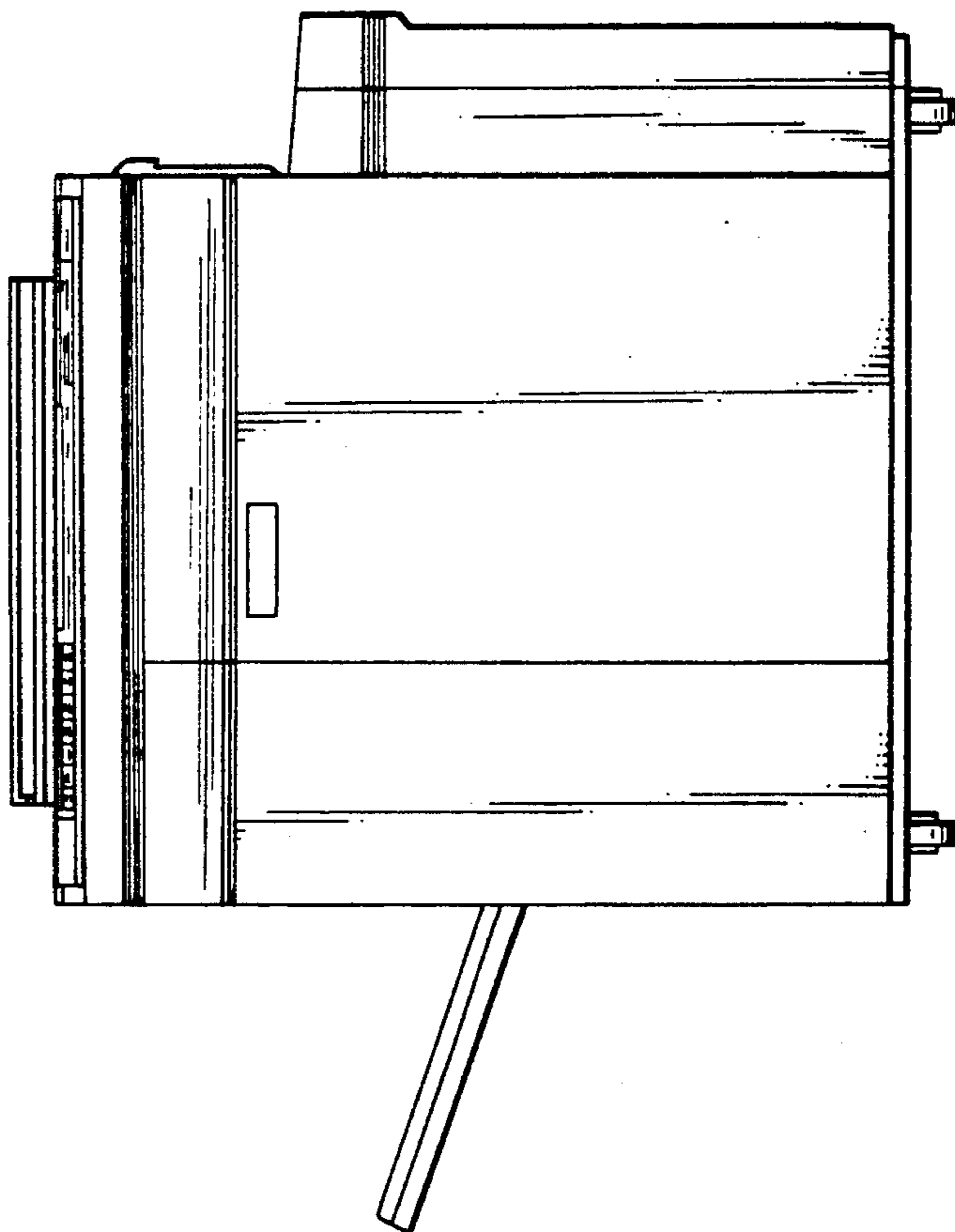


FIG. 5

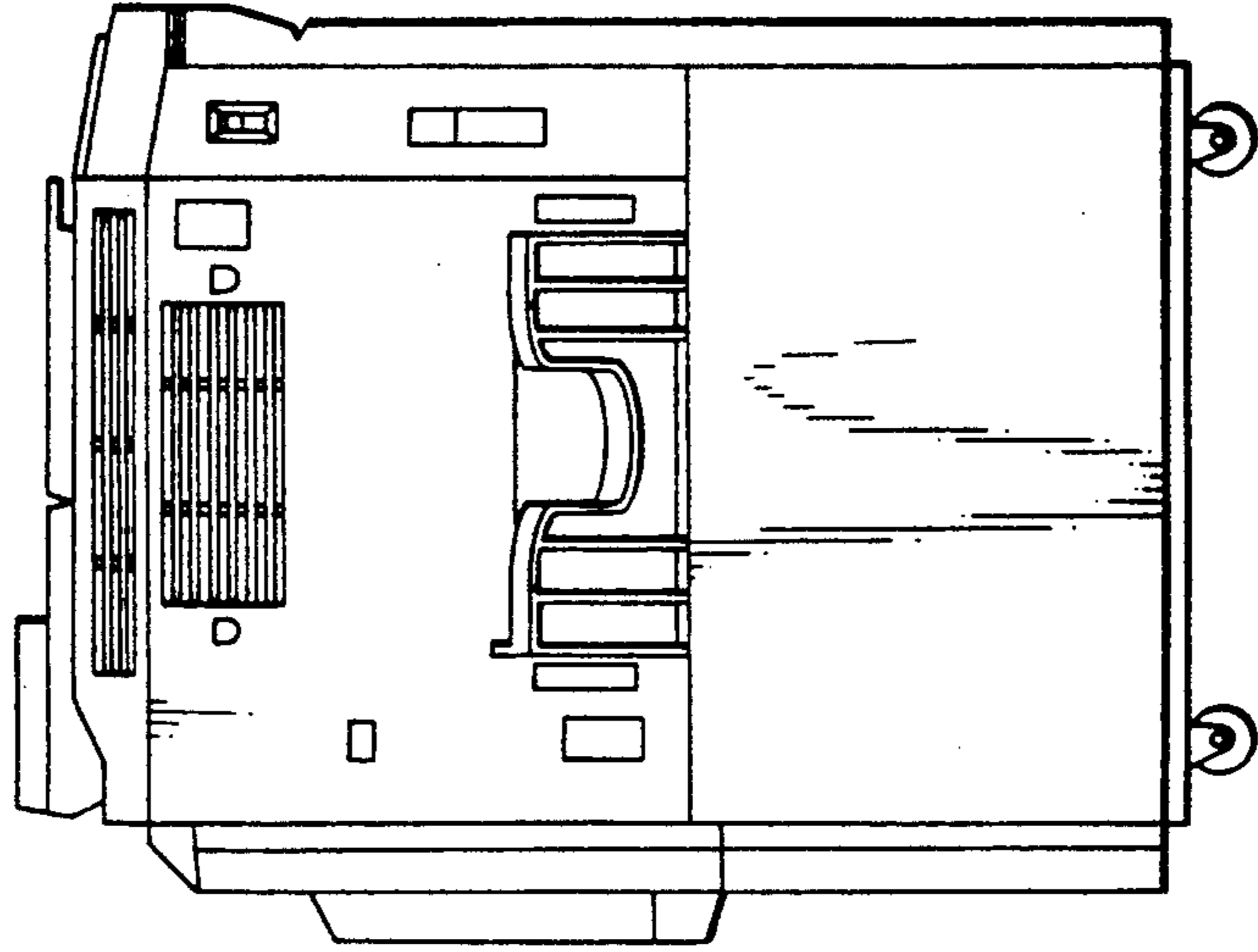


FIG. 4

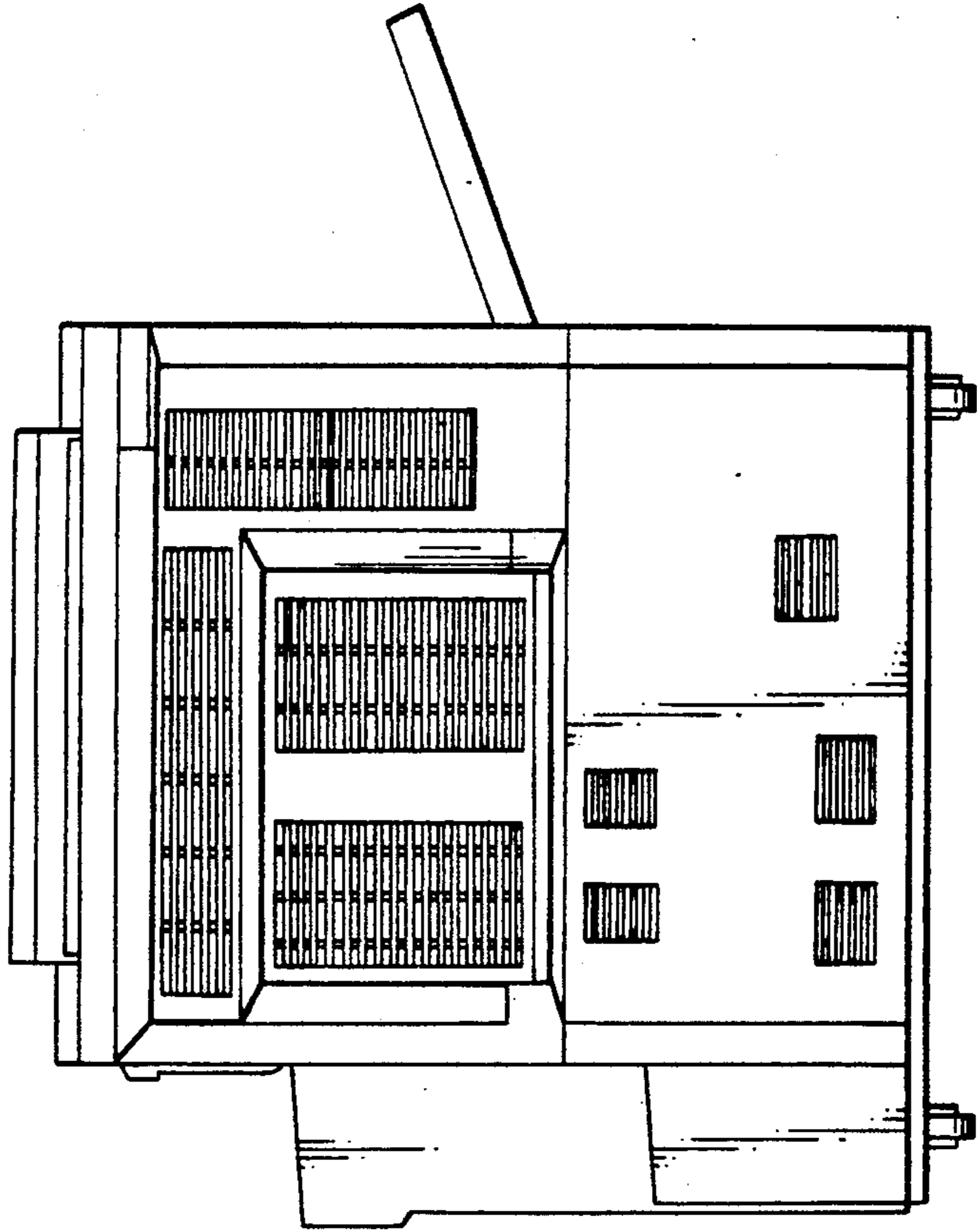


FIG. 6

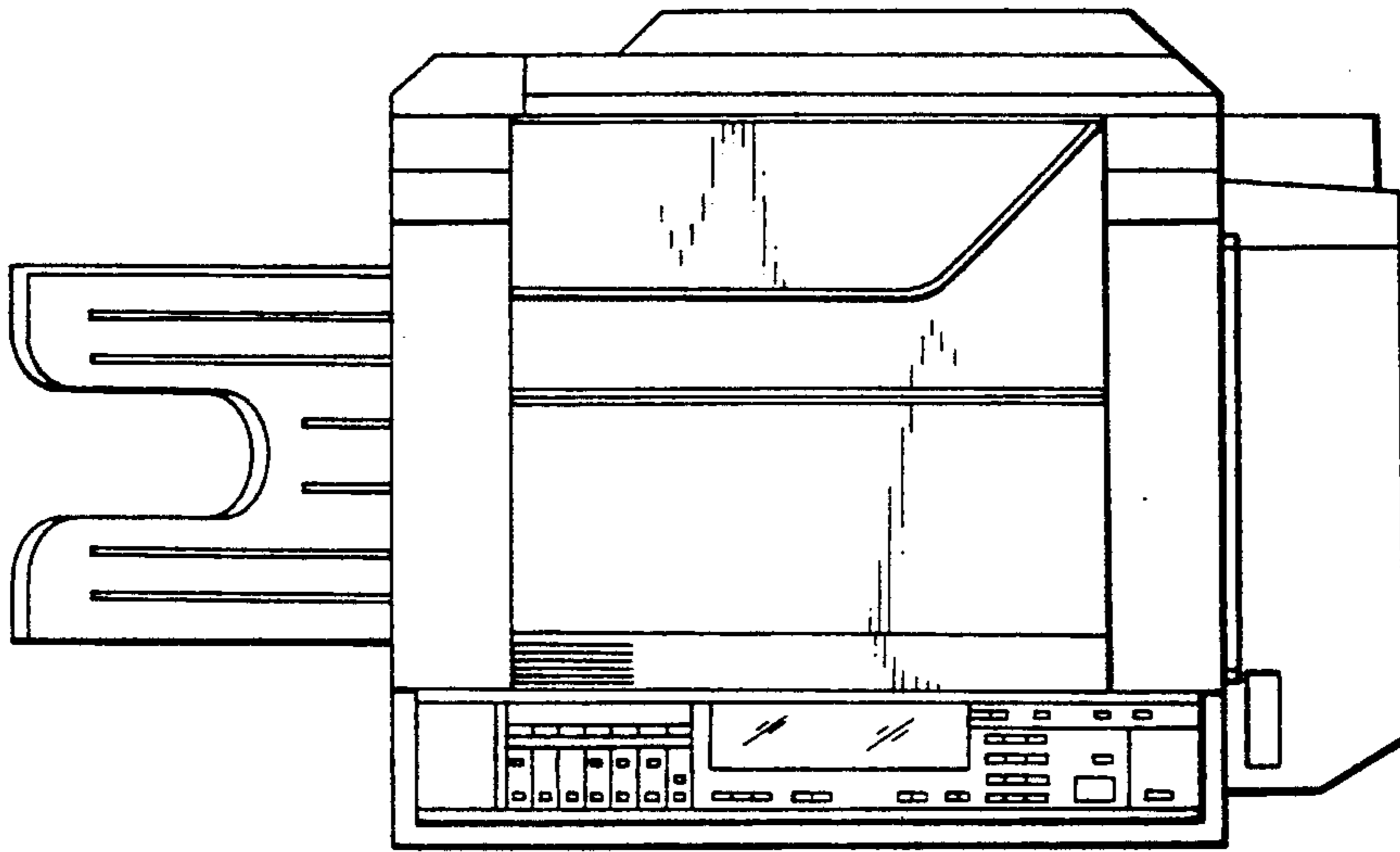


FIG. 7

