



US00D331771S

United States Patent [19]
Yoshihara

[11] **Patent Number: Des. 331,771**
[45] **Date of Patent: ** Dec. 15, 1992**

[54] **INK SHEET CASSETTE** 4,904,100 2/1990 Enix D18/12
[75] **Inventor: Tsutomu Yoshihara, Ayase, Japan**
[73] **Assignee: Canon Kabushiki Kaisha, Tokyo, Japan**
[**] **Term: 14 Years**
[21] **Appl. No.: 543,075**
[22] **Filed: Jun. 25, 1990**
[30] **Foreign Application Priority Data**
Dec. 25, 1989 [JP] Japan 1-47566
[52] **U.S. Cl. D18/12; D18/56**
[58] **Field of Search D18/12, 18, 56, 99; D14/114, 121; 400/194, 195, 196, 196.1, 207, 208**

FOREIGN PATENT DOCUMENTS
0164872 7/1986 Japan 400/208
Primary Examiner—Carmen H. Vales-Lado
Assistant Examiner—Ann Hunt
Attorney, Agent, or Firm—Fitzpatrick, Cella, Harper & Scinto

[56] **References Cited**
U.S. PATENT DOCUMENTS
D. 314,005 1/1991 Okunomiya et al. D18/12
D. 318,065 7/1991 Kamoda D18/12

[57] **CLAIM**
The ornamental design for an ink sheet cassette, as shown and described.

DESCRIPTION
FIG. 1 is a front elevational view of an ink sheet cassette showing my new design;
FIG. 2 is a rear elevational view thereof;
FIG. 3 is a top plan view thereof;
FIG. 4 is a bottom plan view thereof;
FIG. 5 is a left side elevational view thereof;
FIG. 6 is a right side elevational view thereof; and,
FIG. 7 is a perspective view thereof.

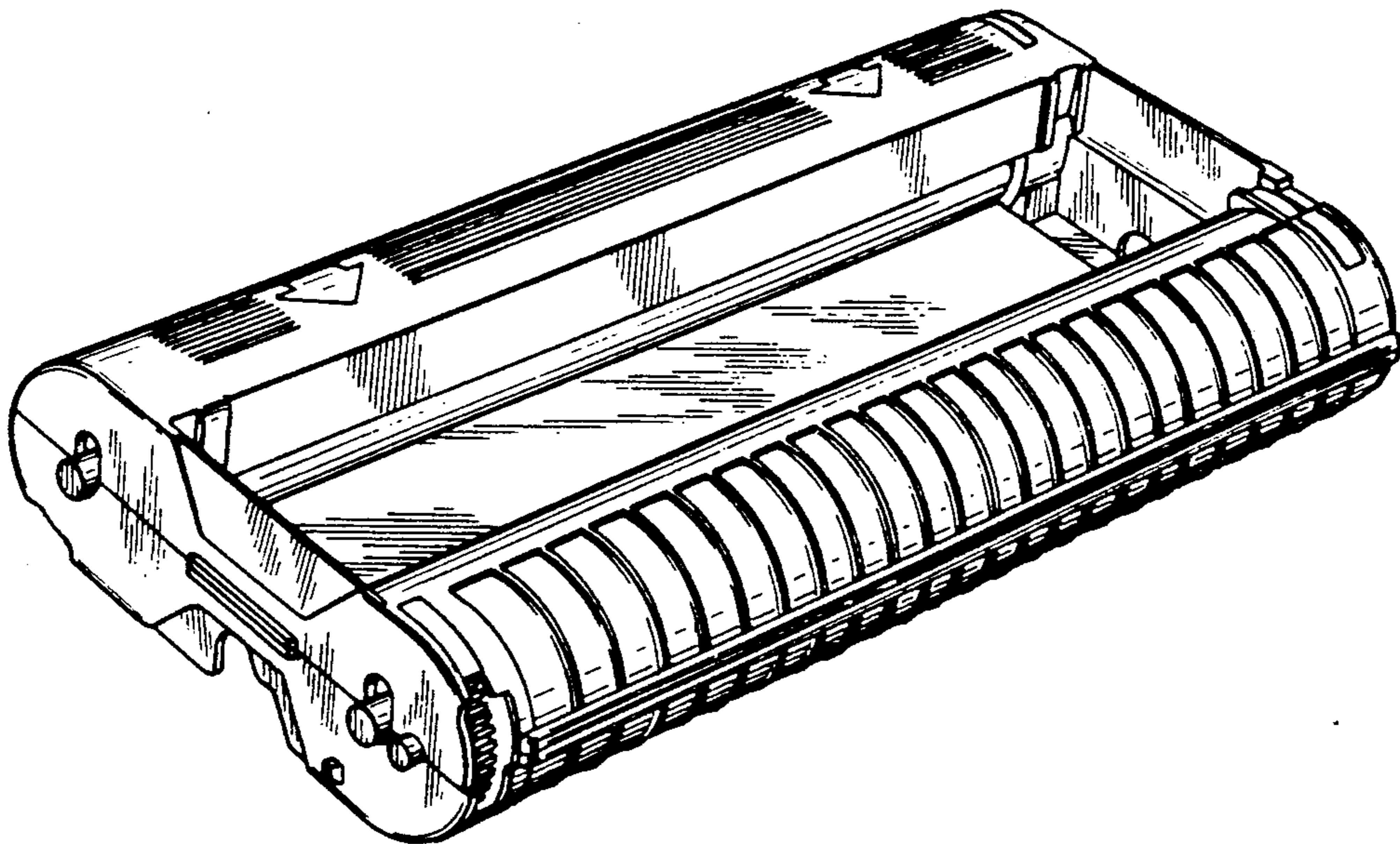


FIG. 1



FIG. 2

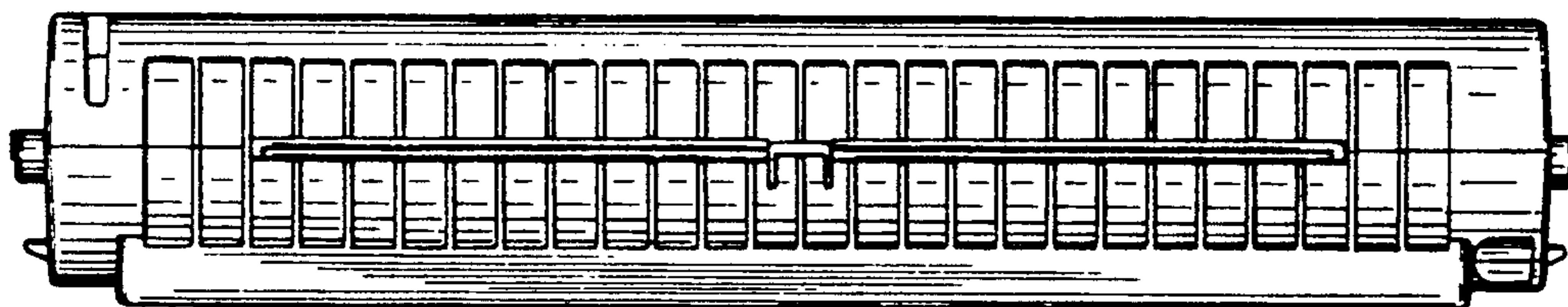


FIG. 3

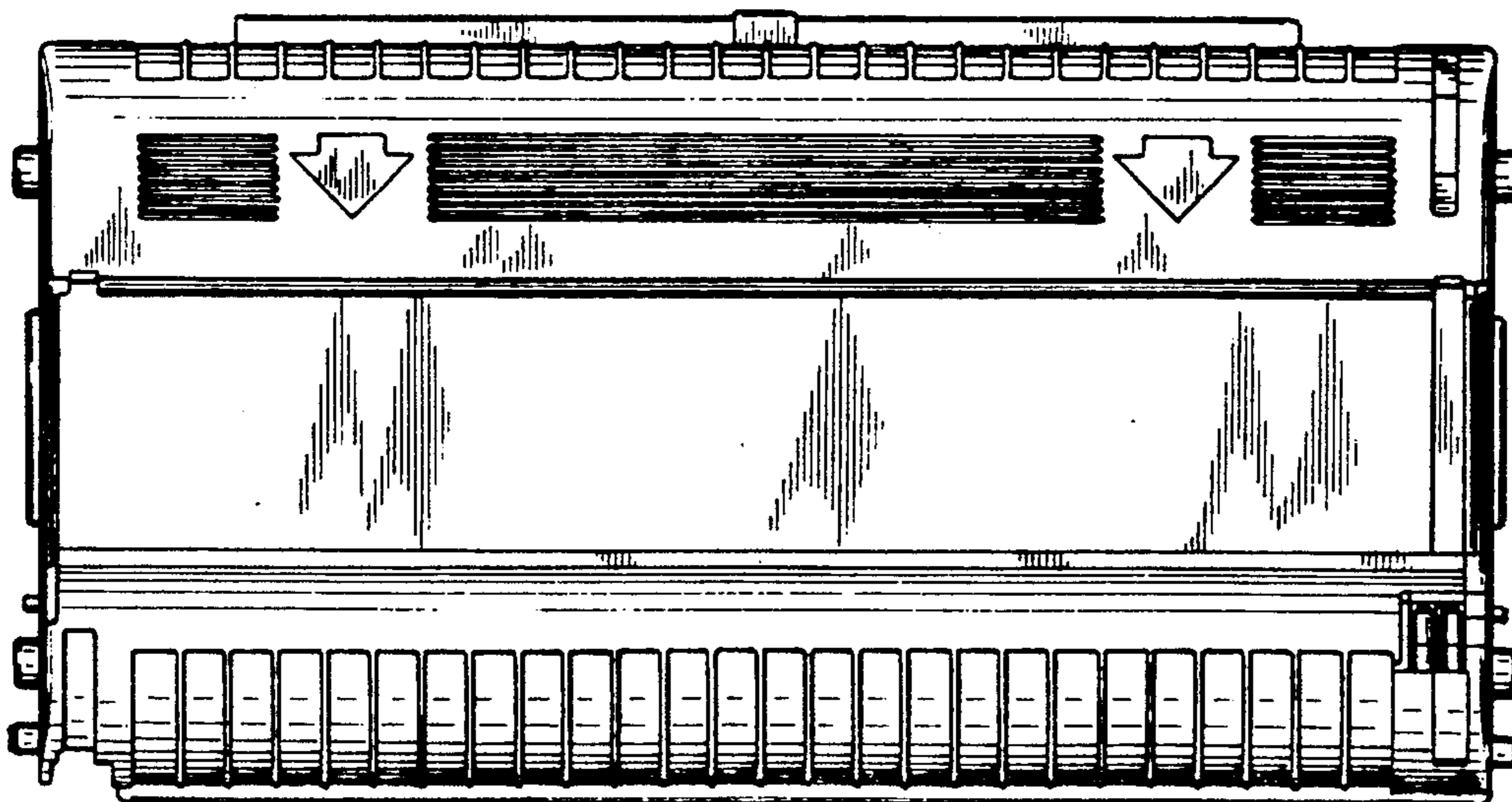


FIG. 4

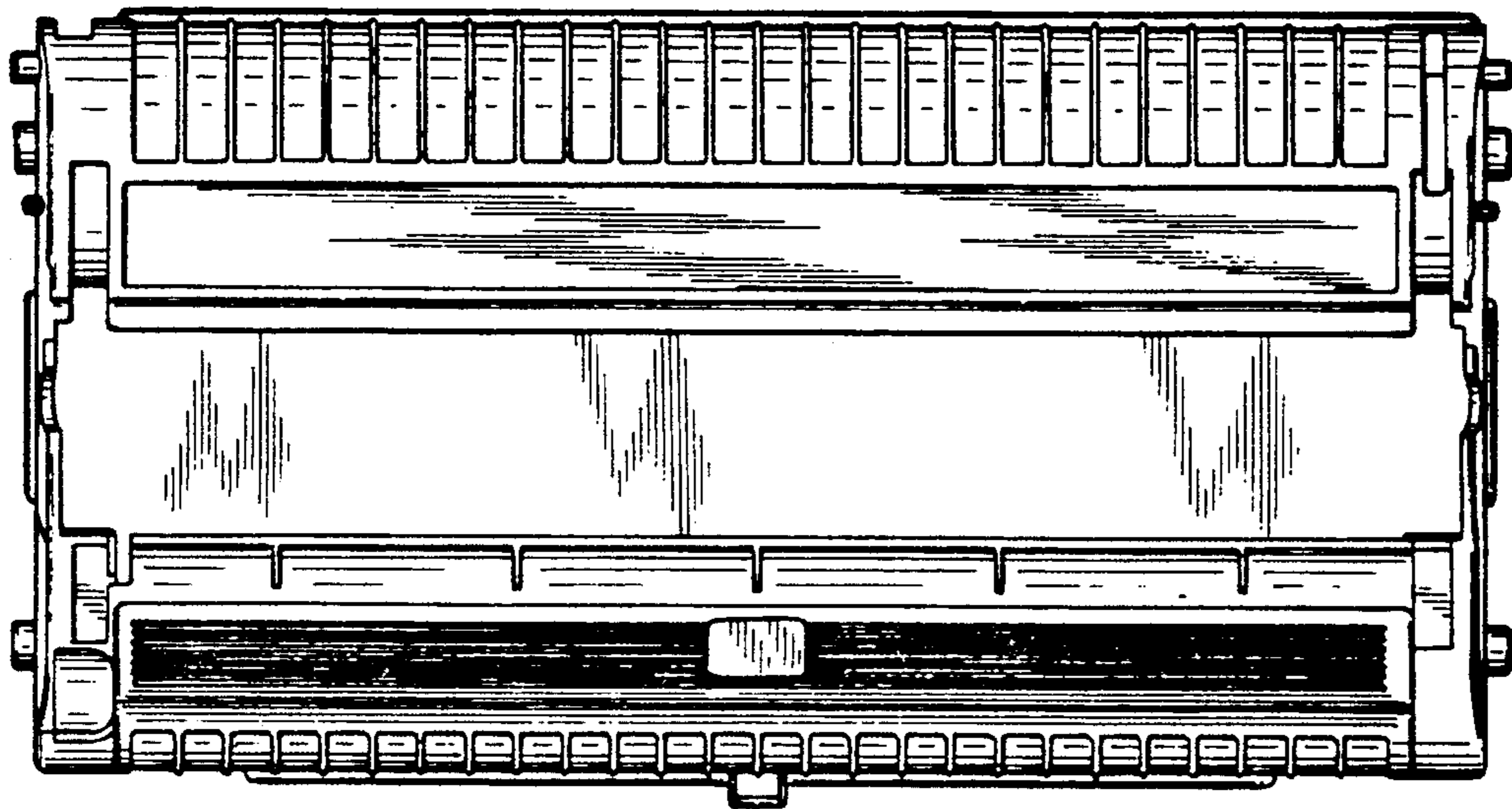


FIG. 5

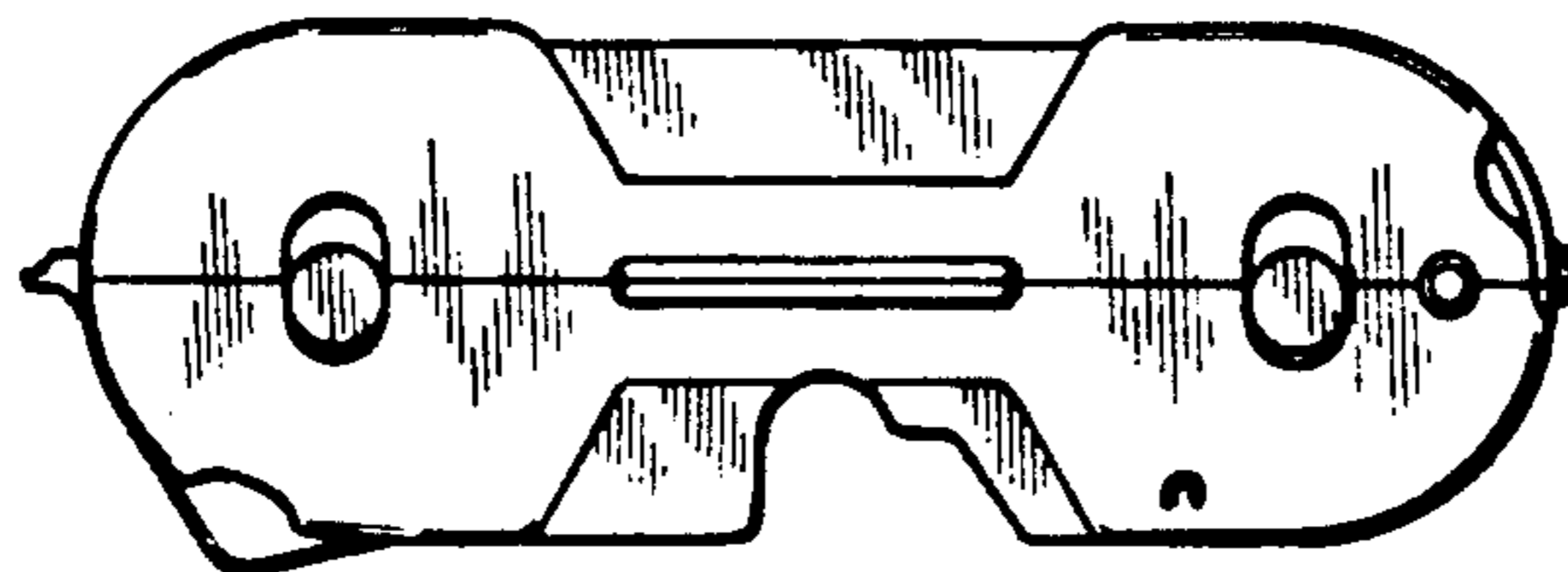


FIG. 6

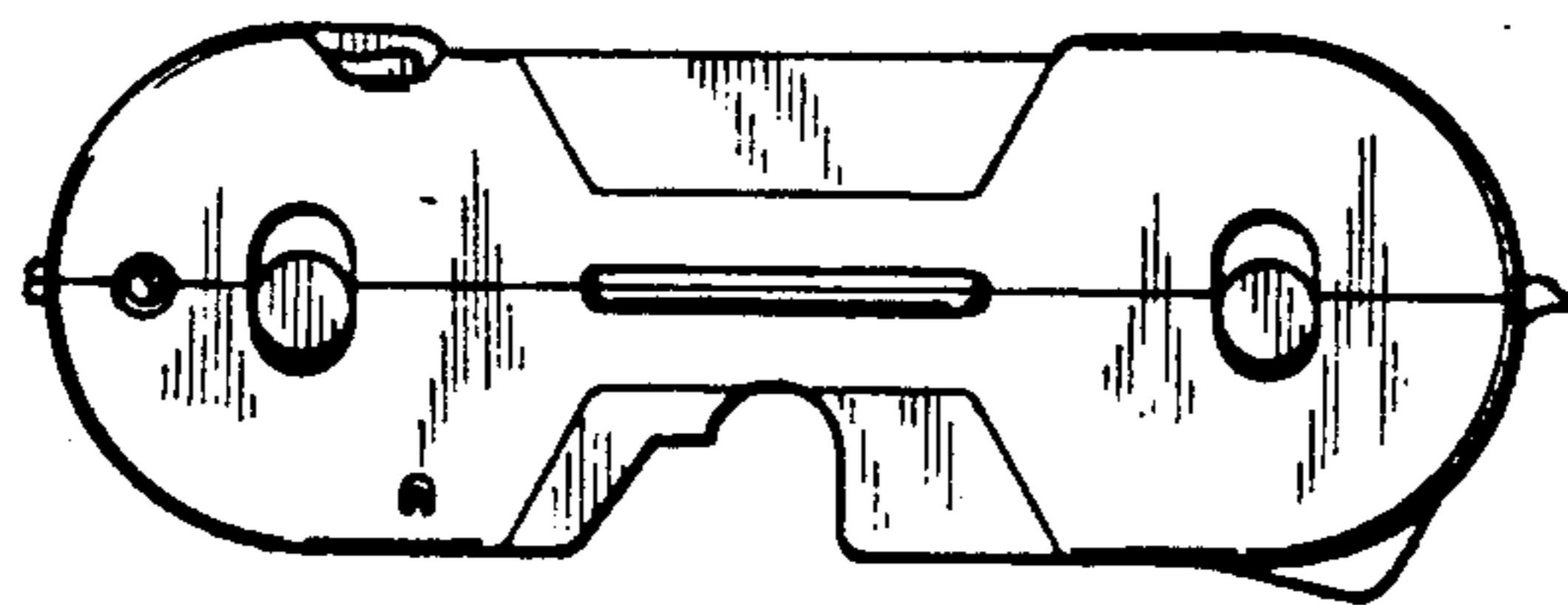


FIG. 7

