



US00D331769S

United States Patent [19]

Stevenson

[11] Patent Number: **Des. 331,769**

[45] Date of Patent: **** Dec. 15, 1992**

[54] GUITAR TUNING UNIT

[76] Inventor: **Theodore J. Stevenson, 413 Westview, Franklin, Ky. 42135**

[**] Term: **14 Years**

[21] Appl. No.: **598,867**

[22] Filed: **Oct. 16, 1990**

[52] U.S. Cl. **D17/99; 84/454**

[58] Field of Search **D10/91, 92, 46, 75, D10/91, 92; D17/20, 99; D13/162, 184; D14/104, 107, 125, 117, 299; 84/454, DIG. 18**

[56] References Cited

U.S. PATENT DOCUMENTS

D. 279,768	7/1985	Gard	D10/91
D. 305,905	2/1990	Hall	D17/99
3,896,697	7/1975	Iannone	84/454
4,889,029	12/1989	St. Denis	84/454

OTHER PUBLICATIONS

Design News, Nov. 4, 1985, p. 77.

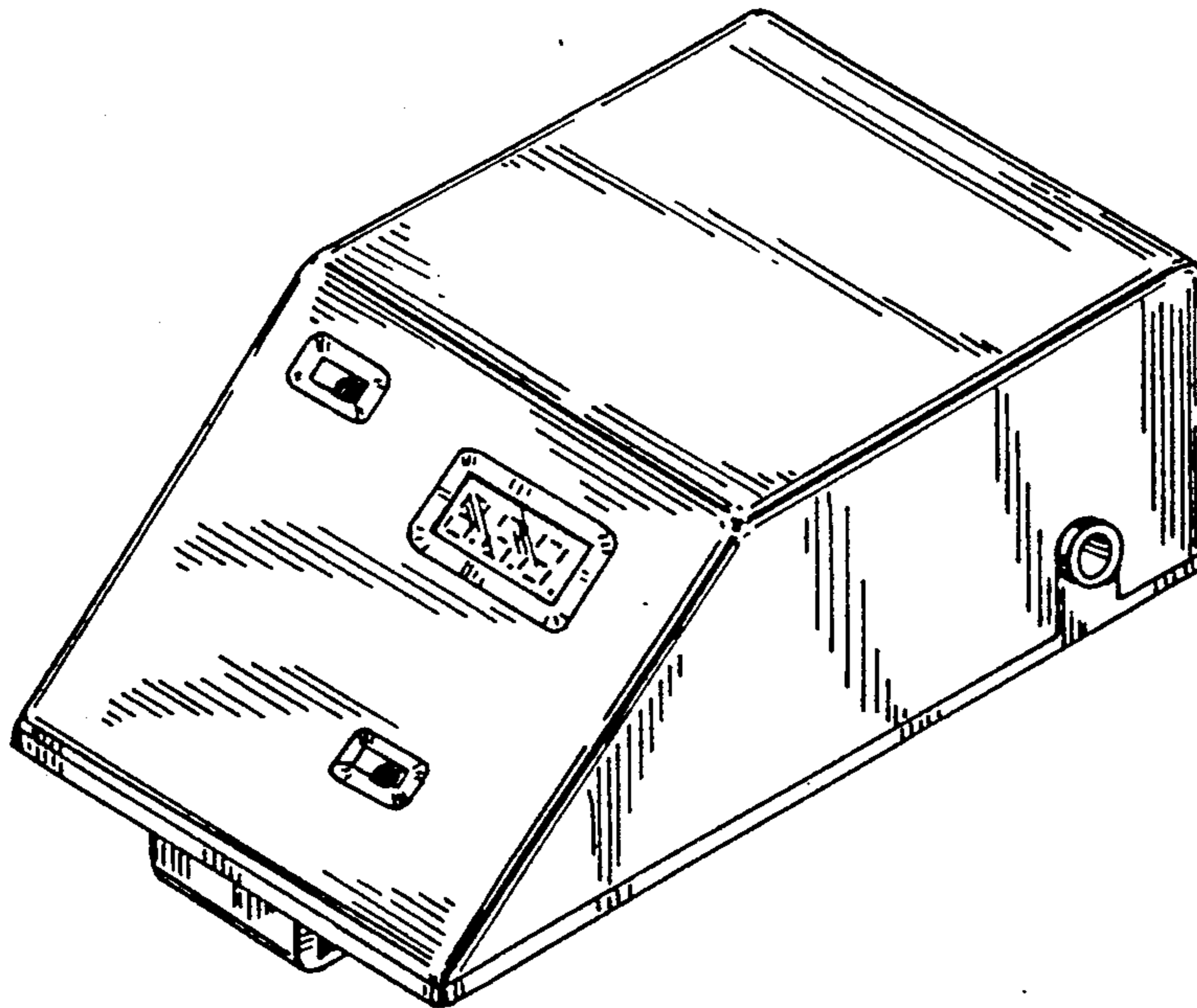
Primary Examiner—Bernard Ansher
Assistant Examiner—Adir Aronovich
Attorney, Agent, or Firm—Price, Heneveld, Cooper, DeWitt & Litton

[57] CLAIM

The ornamental design for a guitar tuning unit, as shown.

DESCRIPTION

FIG. 1 is a top front perspective view of a guitar tuning unit showing my new design;
FIG. 2 is a front elevational view thereof;
FIG. 3 is a rear elevational view thereof;
FIG. 4 is a top plan view thereof;
FIG. 5 is a bottom plan view thereof;
FIG. 6 is a right side elevational view thereof; and,
FIG. 7 is a left side elevational view thereof.



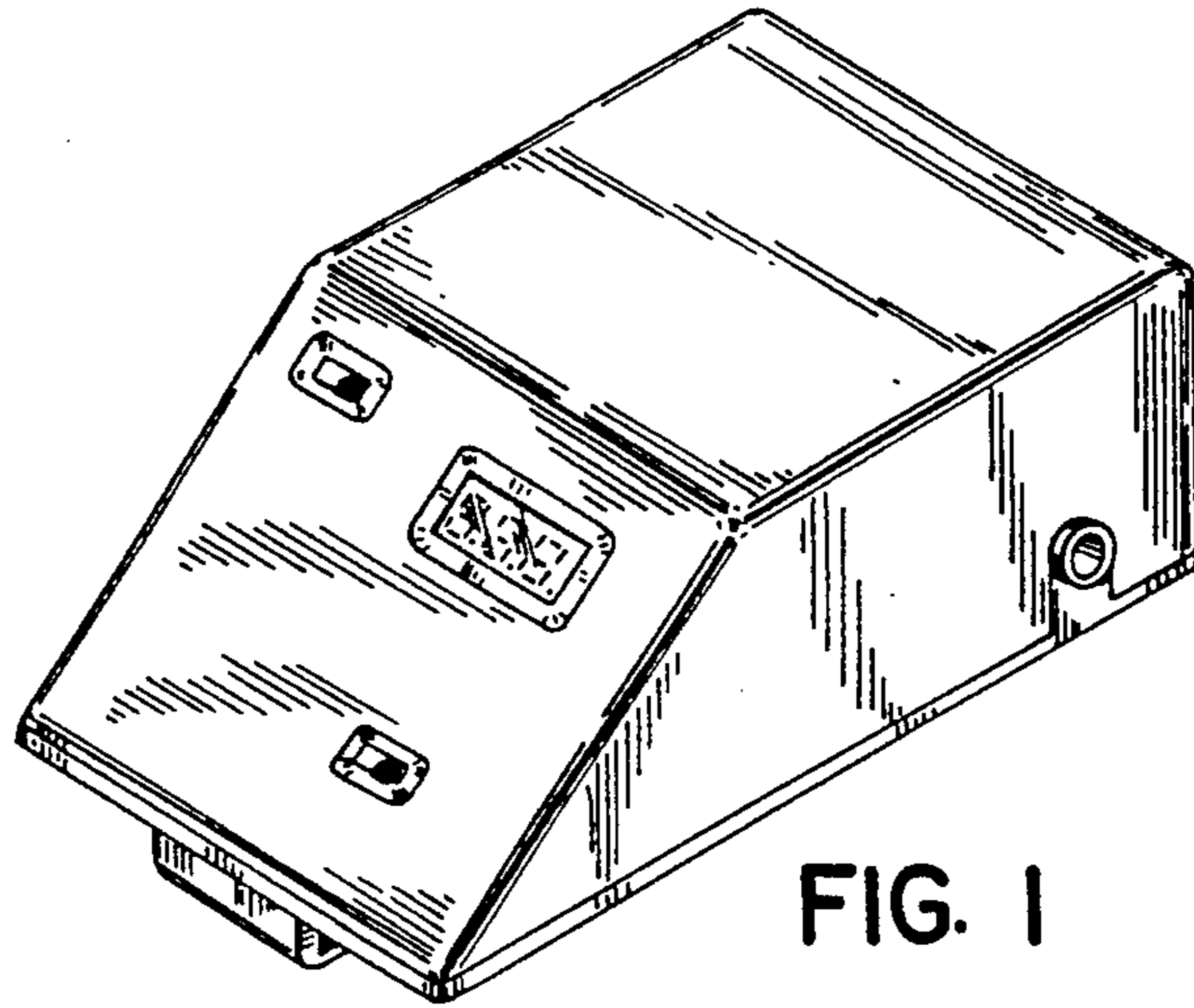


FIG. 1

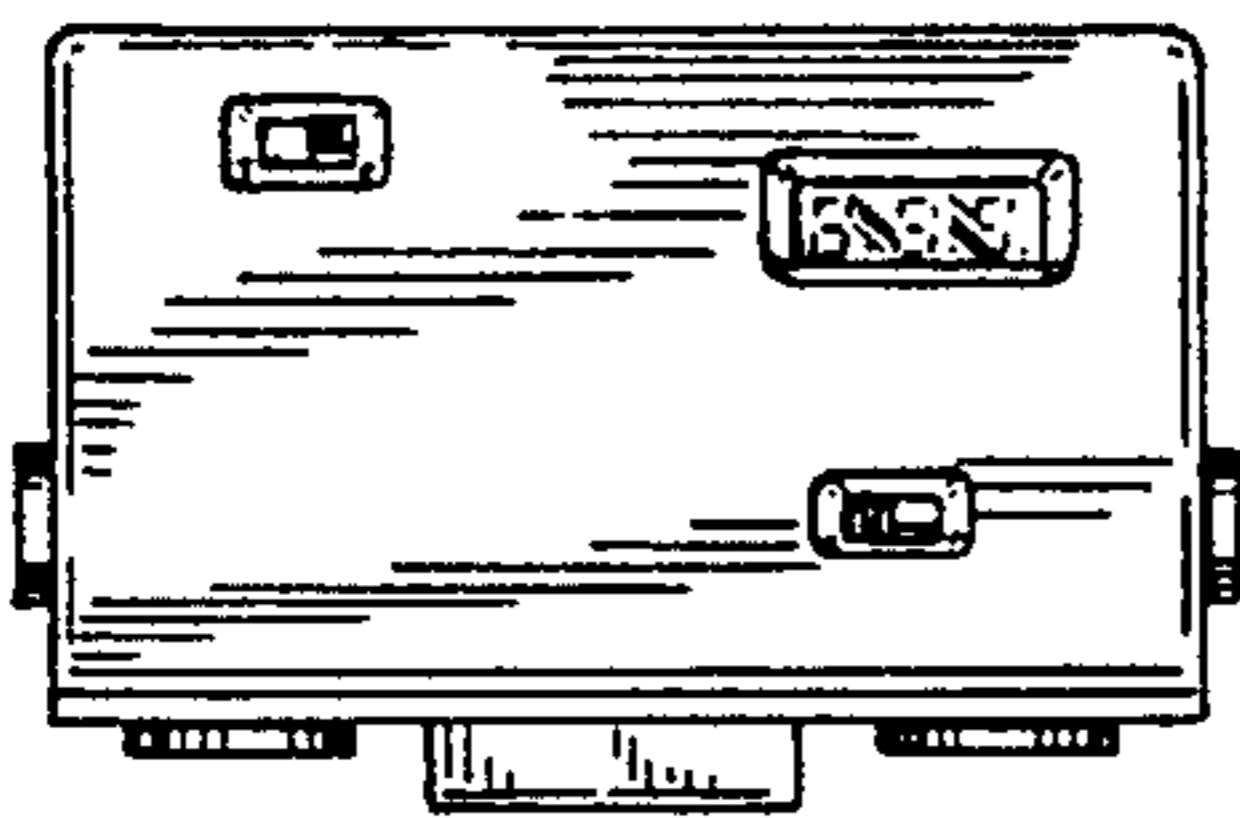


FIG. 2

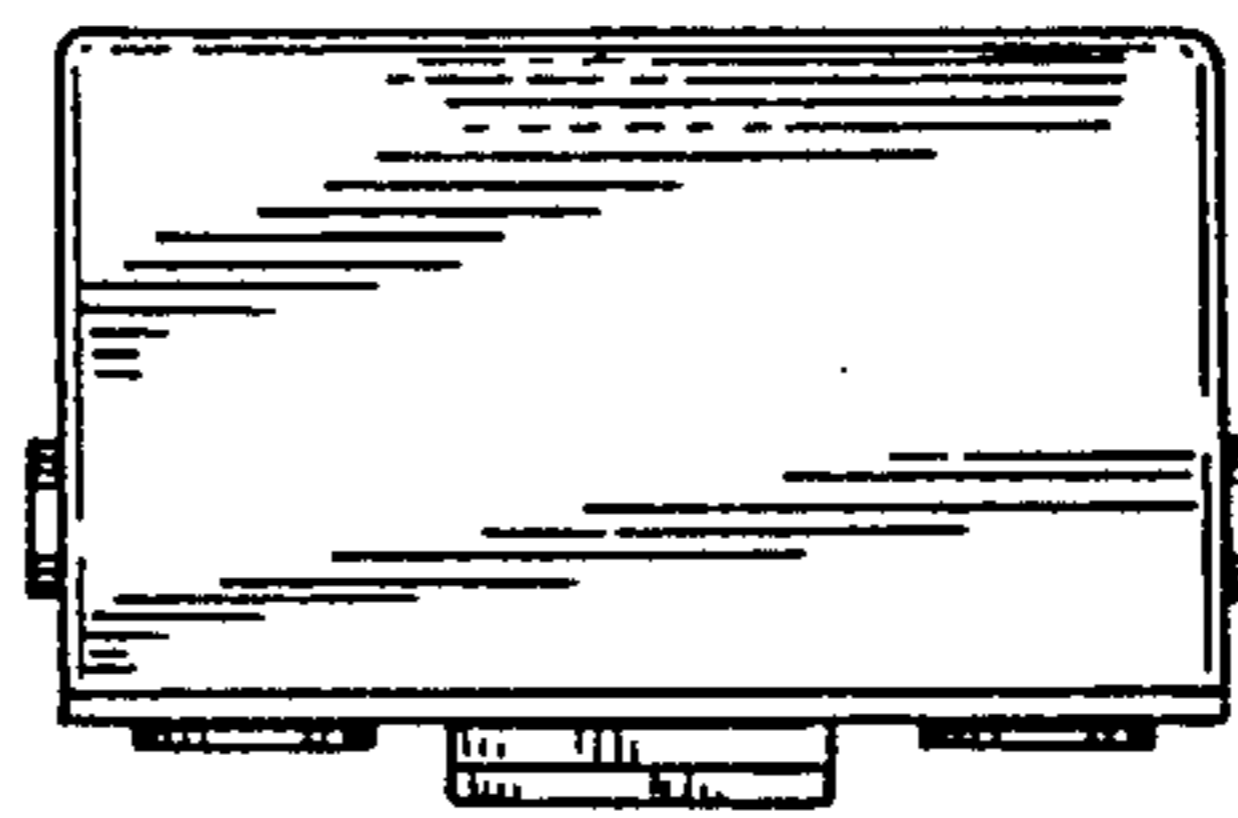


FIG. 3

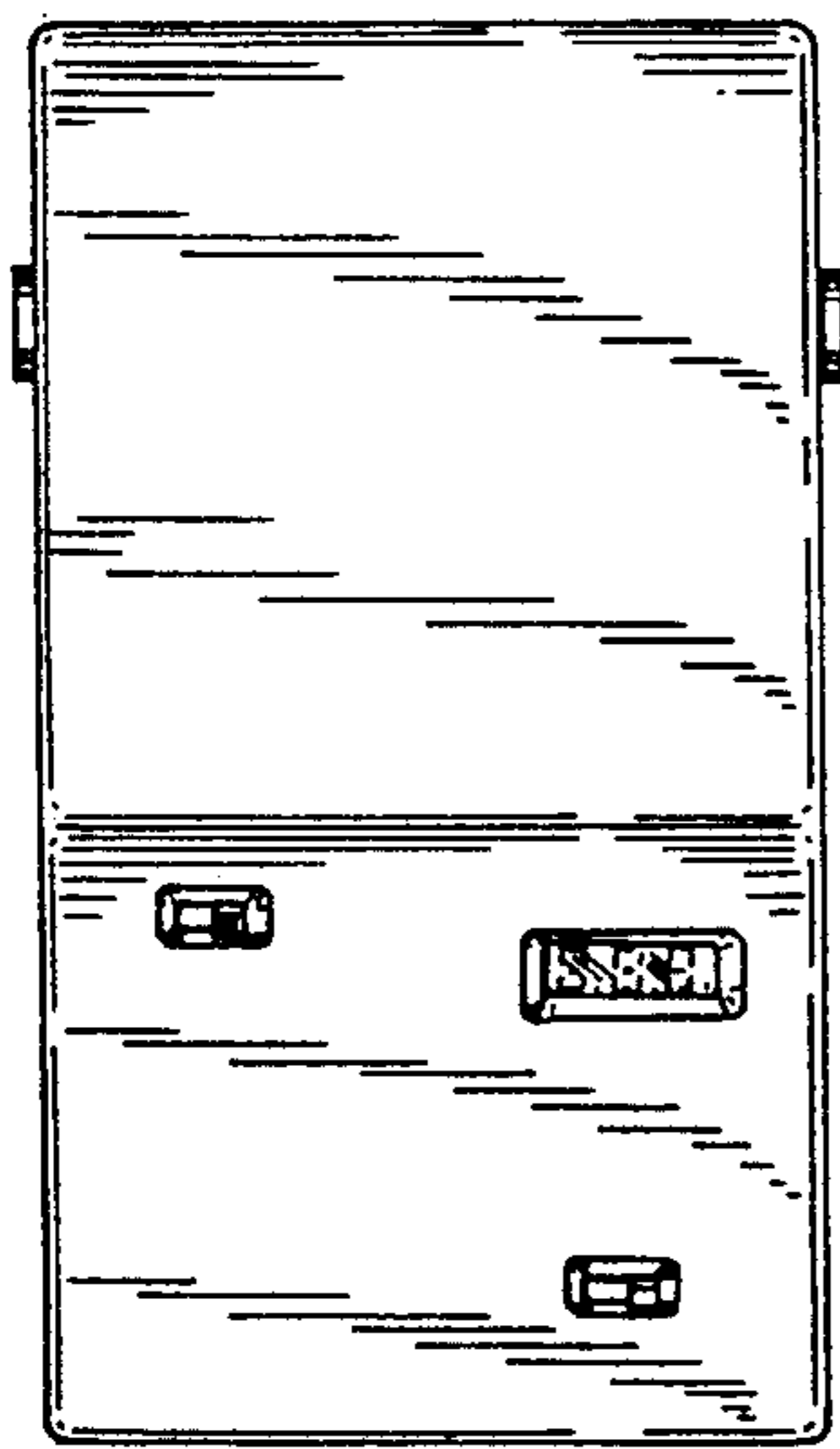


FIG. 4

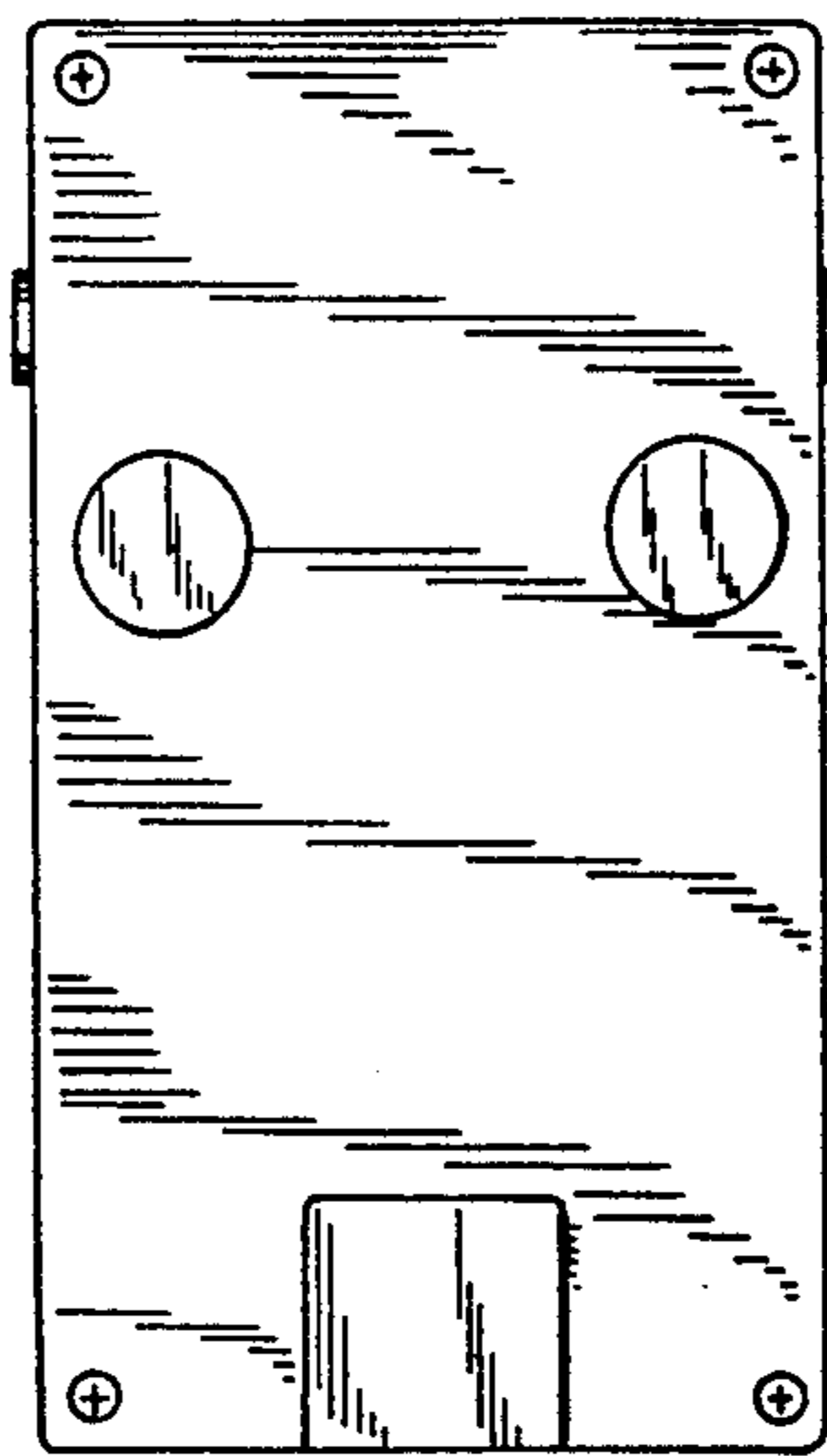


FIG. 5

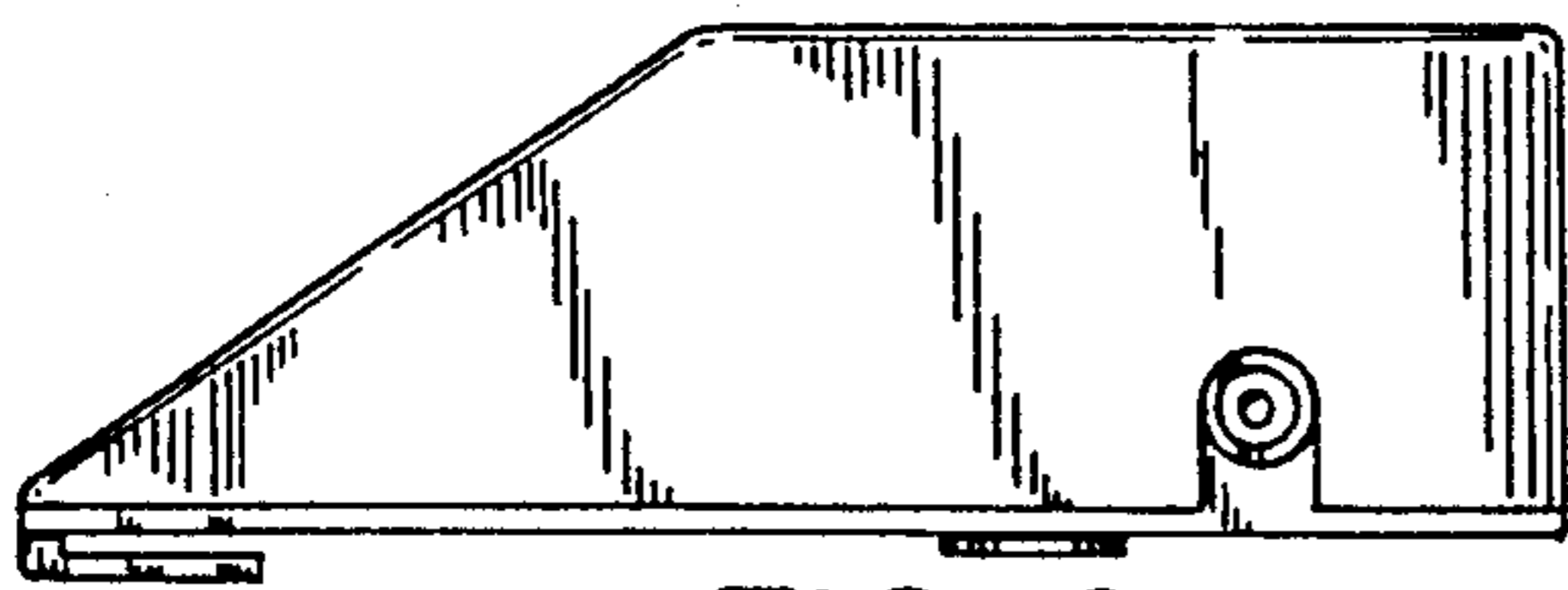


FIG. 6

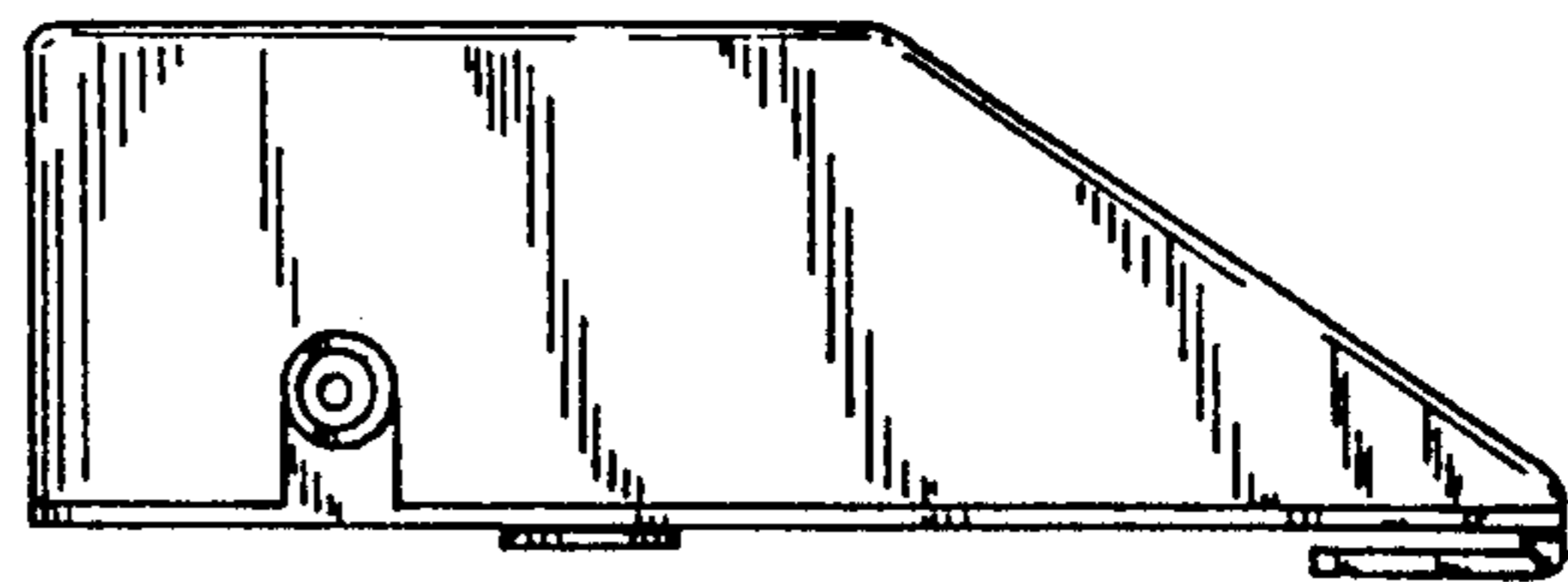


FIG. 7