



US00D331768S

United States Patent [19]

[11] Patent Number: **Des. 331,768**

Saeki et al.

[45] Date of Patent: **** Dec. 15, 1992**

[54] PROJECTOR

[75] Inventors: **Taisuke Saeki; Yoshito Fujii; Noriaki Itai**, all of Osaka, Japan

[73] Assignee: **Sharp Corporation**, Osaka, Japan

[**] Term: **14 Years**

[21] Appl. No.: **551,251**

[22] Filed: **Jul. 10, 1990**

[30] Foreign Application Priority Data

Jan. 11, 1990 [JP] Japan 2-550

[52] U.S. Cl. **D16/225**

[58] Field of Search **D16/200, 202, 203-205, D16/212, 213, 221, 222, 225; D21/110; 352/34, 138, 242, 243; 353/103-118, 119, 61**

[56] References Cited

U.S. PATENT DOCUMENTS

- D. 255,581 6/1980 Owens D16/225
- D. 256,248 8/1980 Alt D16/233
- 2,916,964 12/1959 Paulsohn 353/110
- 3,019,701 2/1962 Brueckner et al. 353/61

OTHER PUBLICATIONS

35 MM Photography, Jul. 1985 p. 12 (Zeiss Ikon Royal AF Selectiv IR Projector).

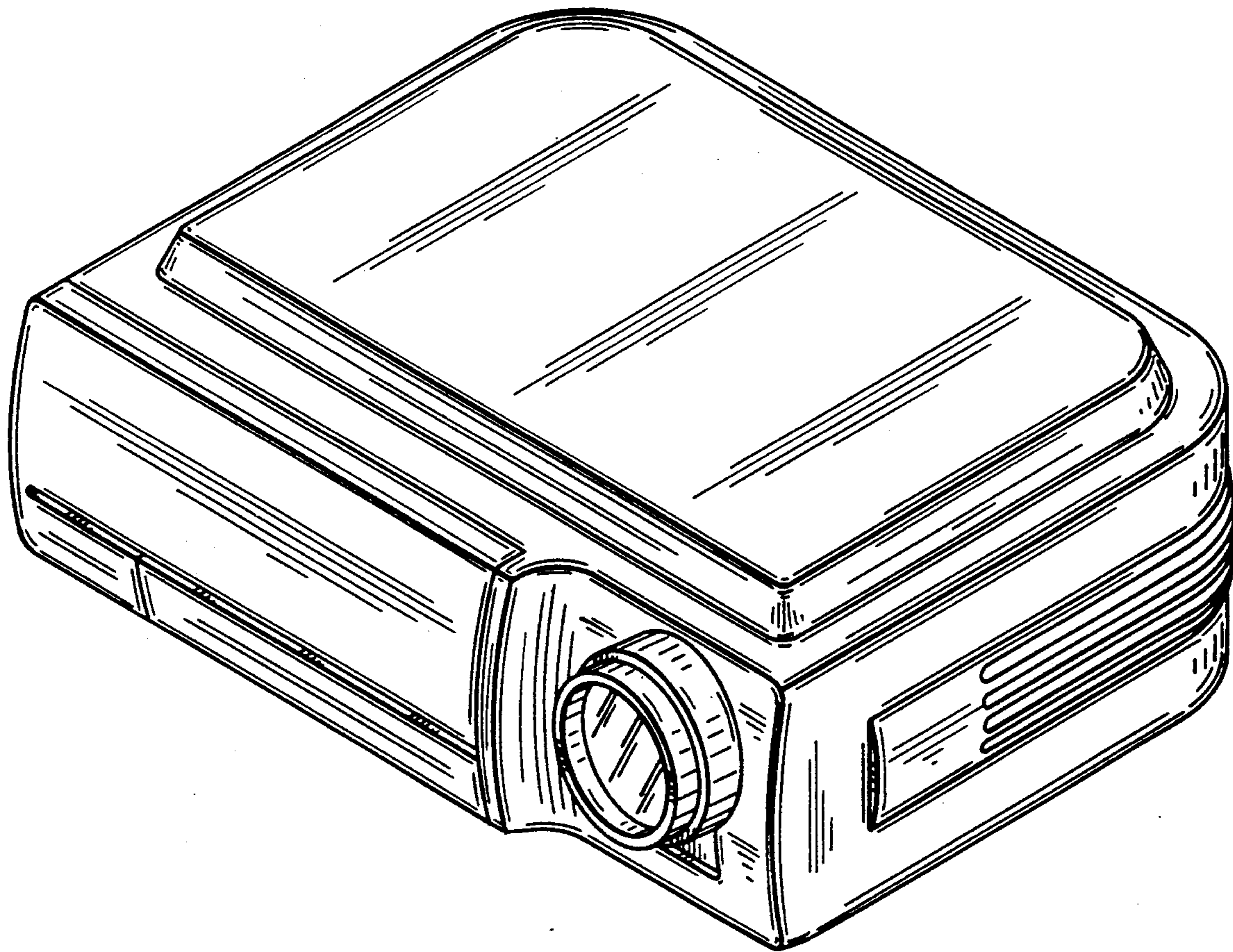
Primary Examiner—Bernard Ansher
Assistant Examiner—Adir Aronovich
Attorney, Agent, or Firm—Flehr, Hohbach, Test, Albritton & Herbert

[57] CLAIM

The ornamental design for a projector, shown and described.

DESCRIPTION

FIG. 1 is a top, front perspective view of a projector showing our new design;
FIG. 2 is a front elevational view thereof;
FIG. 3 is a rear elevational view thereof;
FIG. 4 is a top plan view thereof;
FIG. 5 is a bottom plan view thereof;
FIG. 6 is a right side elevational view thereof;
FIG. 7 is a left side elevational view thereof; and,
FIG. 8 is a front elevational view with the control buttons cover in an open position.



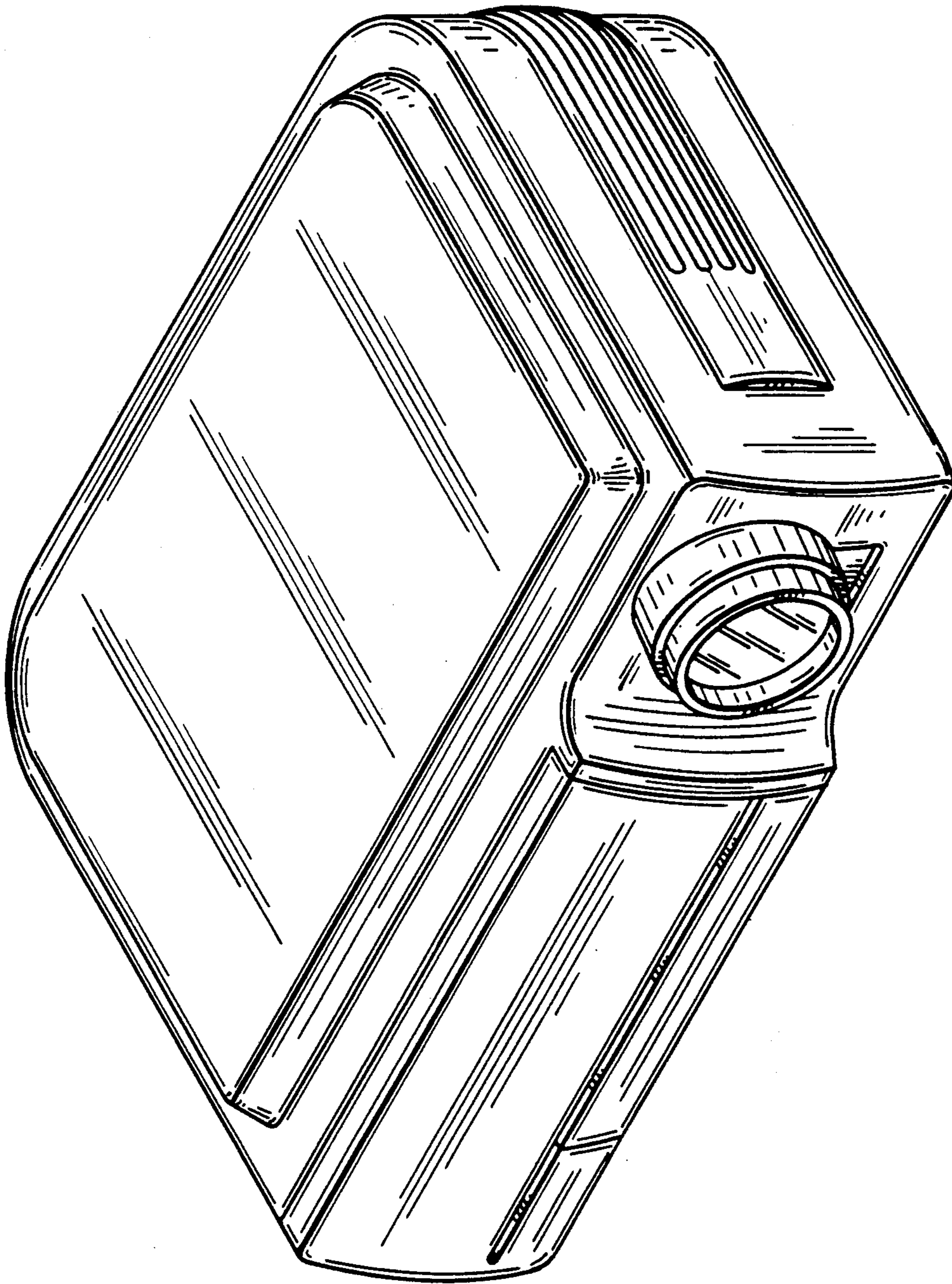
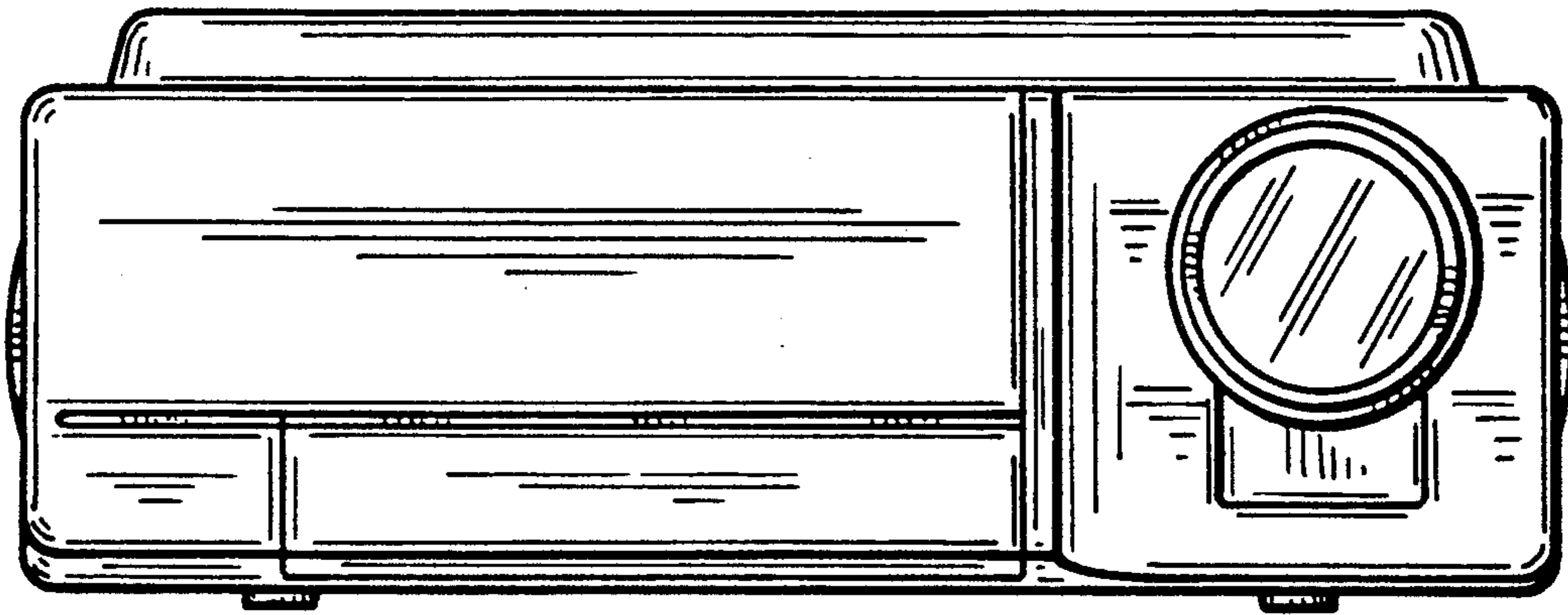
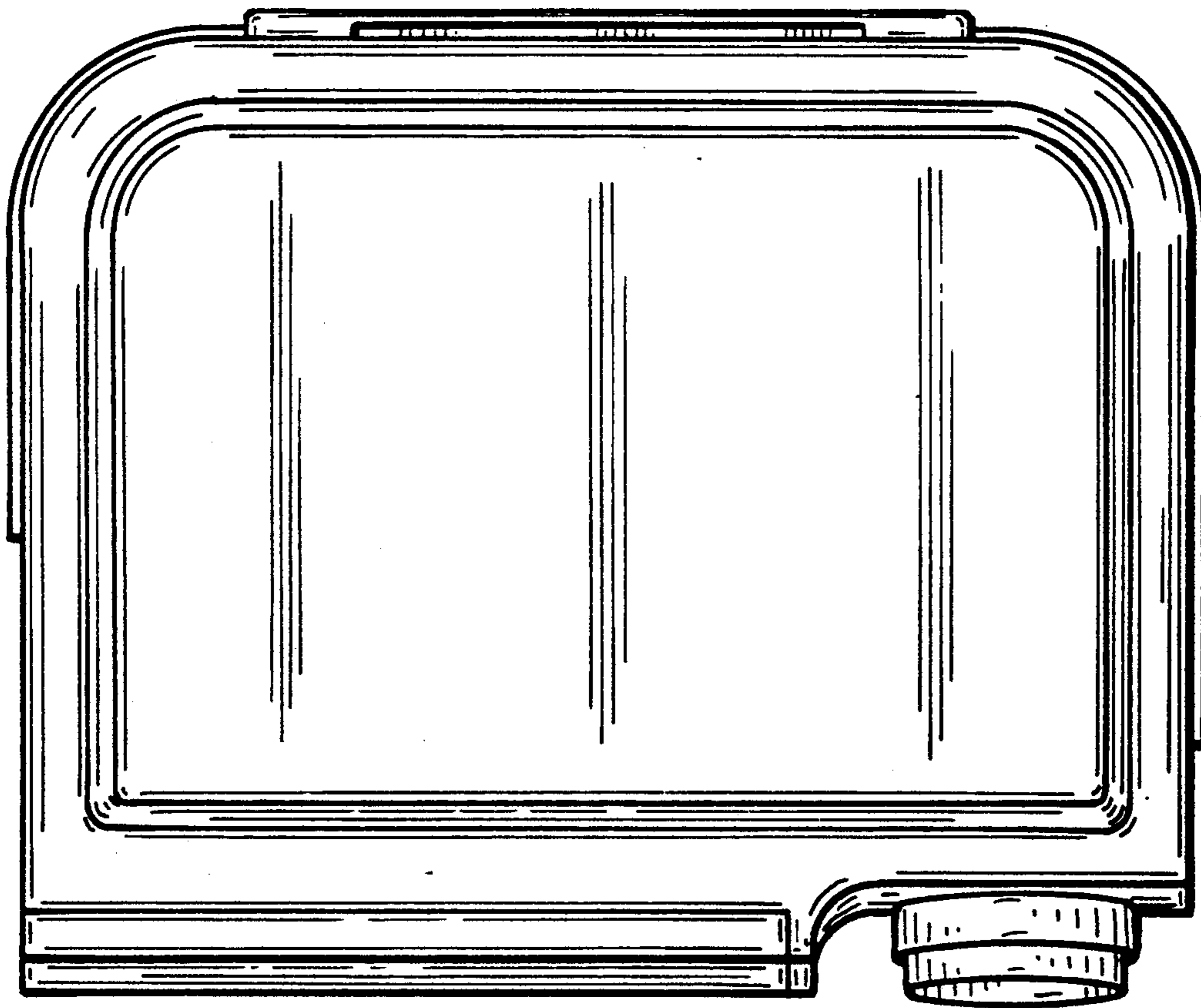


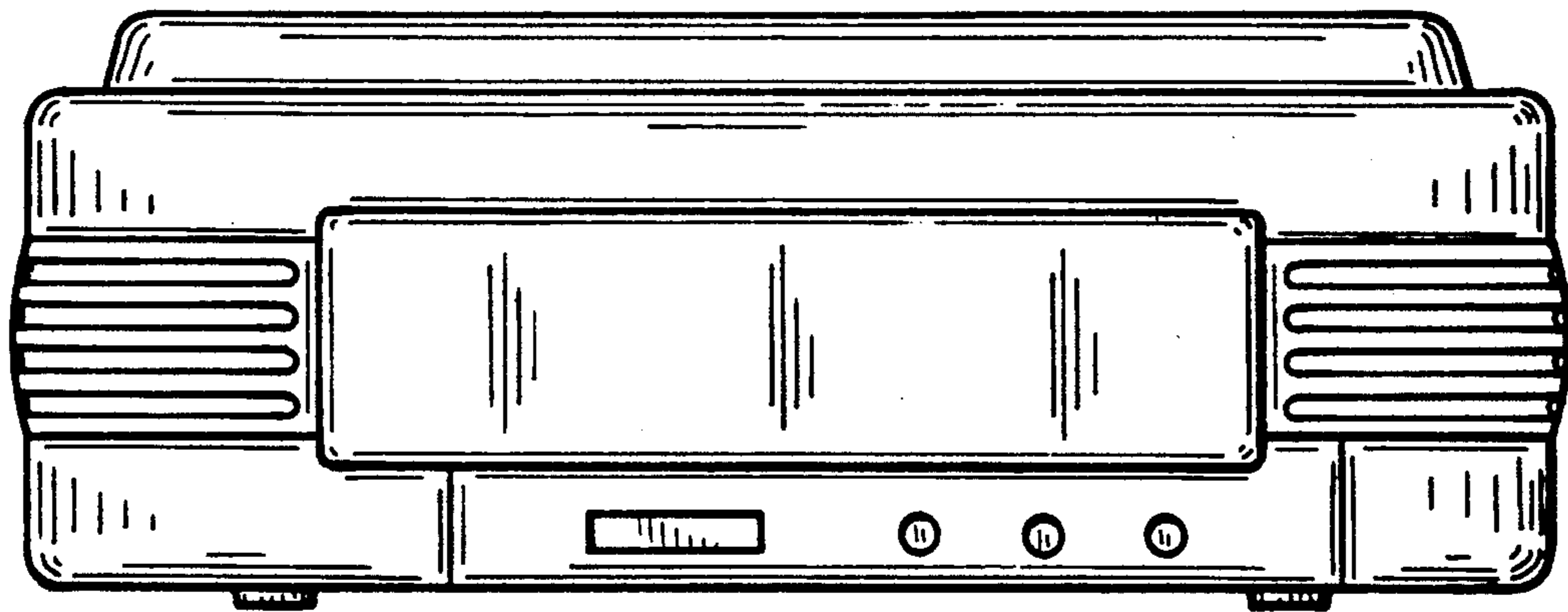
FIG. 1



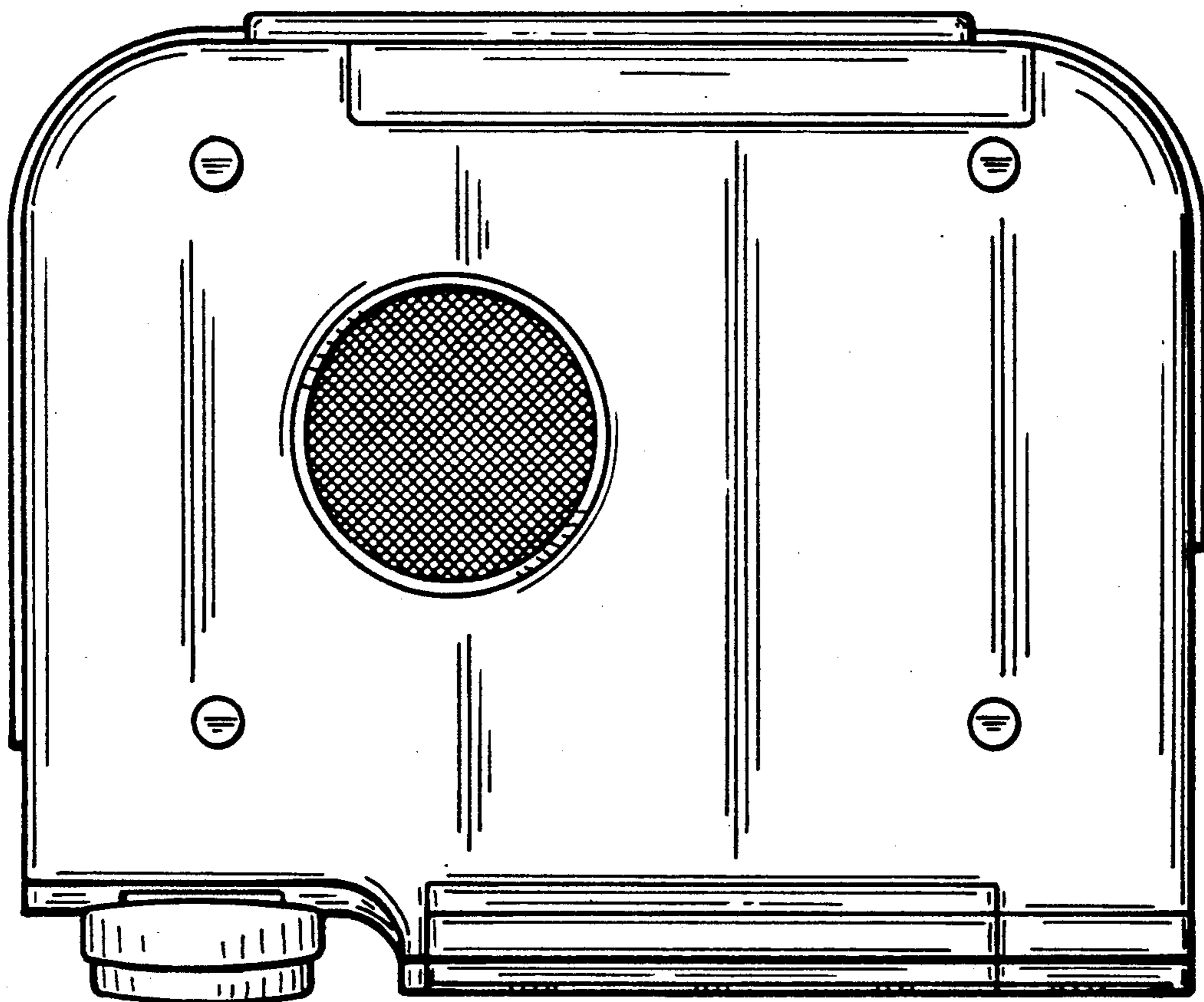
FIG_2



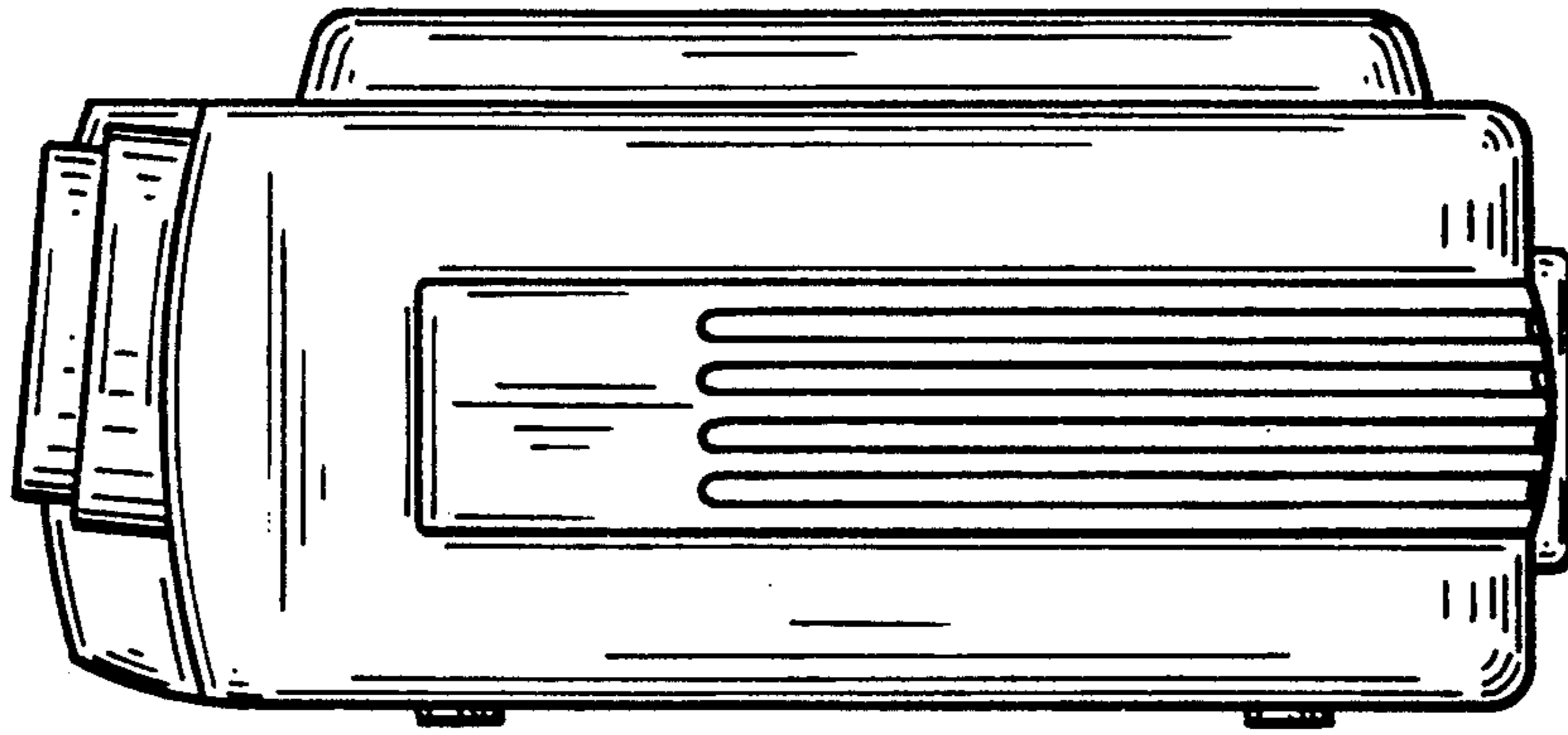
FIG_4



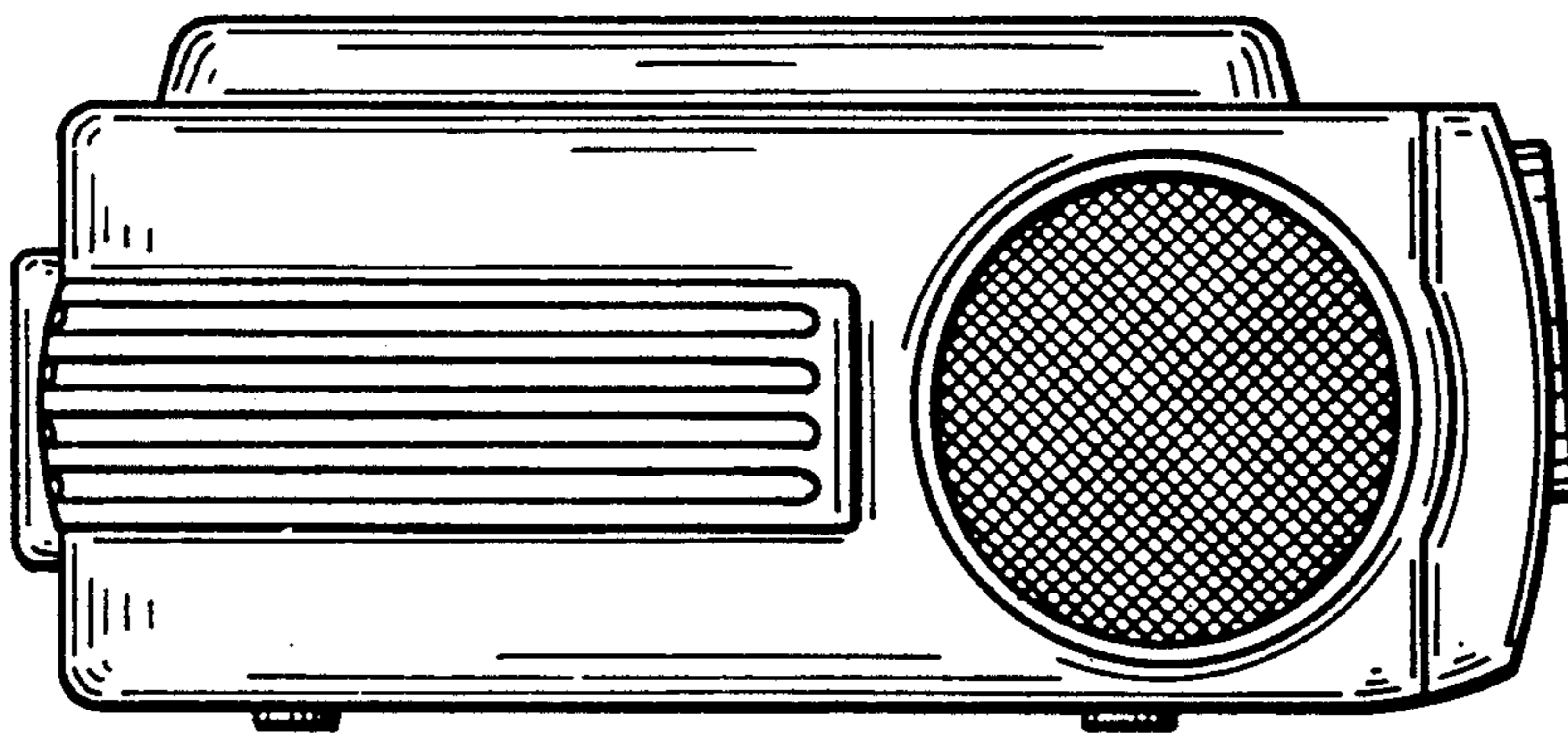
FIG_3



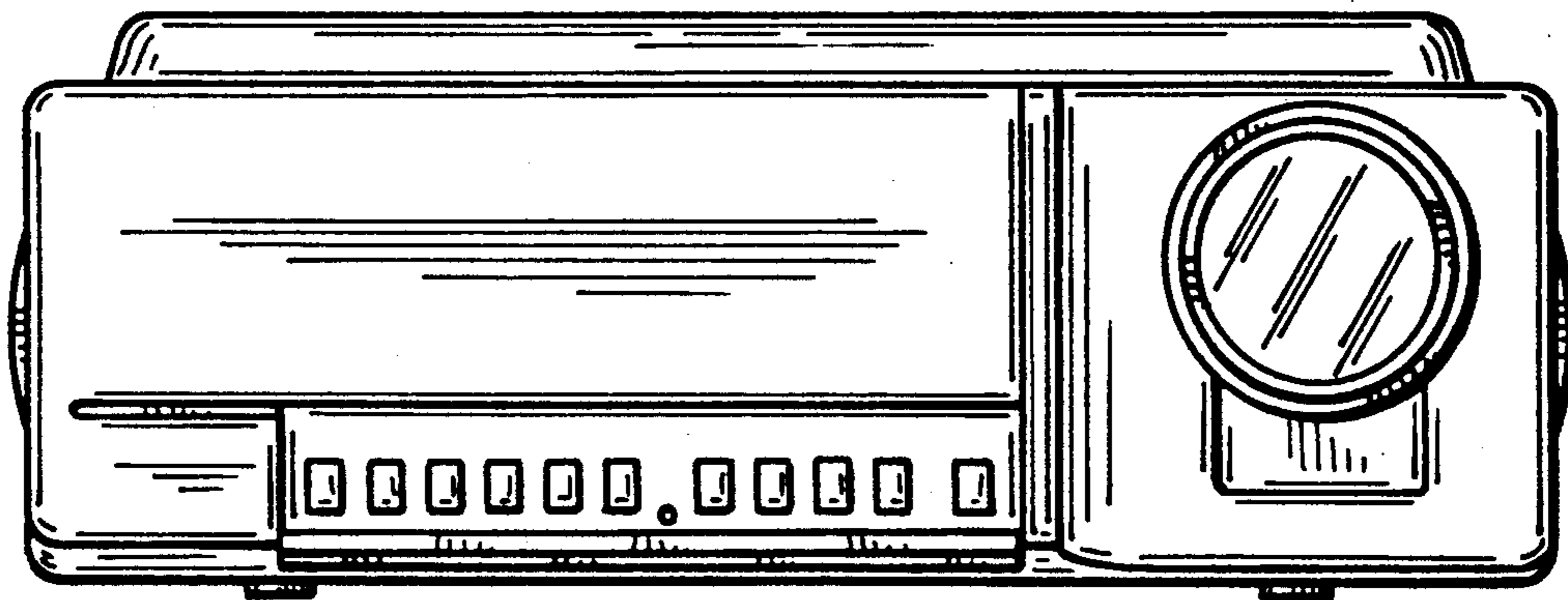
FIG_5



FIG_6



FIG_7



FIG_8