



US00D331765S

United States Patent [19]

Canavan et al.

[11] Patent Number: **Des. 331,765**

[45] Date of Patent: **** Dec. 15, 1992**

[54] **EYEGASSES**

[75] Inventors: **Richard W. Canavan**, East Woodstock, Conn.; **John G. Mathews**, Providence, R.I.

[73] Assignee: **Uvex Winter Optical, Inc.**, Smithfield, R.I.

[**] Term: **14 Years**

[21] Appl. No.: **741,558**

[22] Filed: **Aug. 7, 1991**

[52] U.S. Cl. **D16/112**

[58] Field of Search **D16/102, 103, 105-107, D16/110-112, 114, 116, 117, 121-123, 127; D2/246; 351/44, 45, 47, 57, 59, 83, 87, 111, 118; 2/13, 199, 439, 448, 449**

[56] **References Cited**

U.S. PATENT DOCUMENTS

D. 204,957	5/1966	Dym	D16/117
D. 208,069	7/1967	Boxer	D16/117
D. 323,335	1/1992	Dalloz	D16/112
3,544,204	12/1970	Bienenfeld	2/448
4,670,915	6/1987	Evans	351/118
4,946,268	8/1990	Nowotny	351/118
5,016,292	5/1991	Rademacher	2/448

OTHER PUBLICATIONS

Nikon Sunglasses Catalog Mutisport 1989 Cover.
Surfer Magazine Jun. 1989 p. 71 top of page.
Nikon Sunglasses Catalog Mutisport 1989 #SP36185.

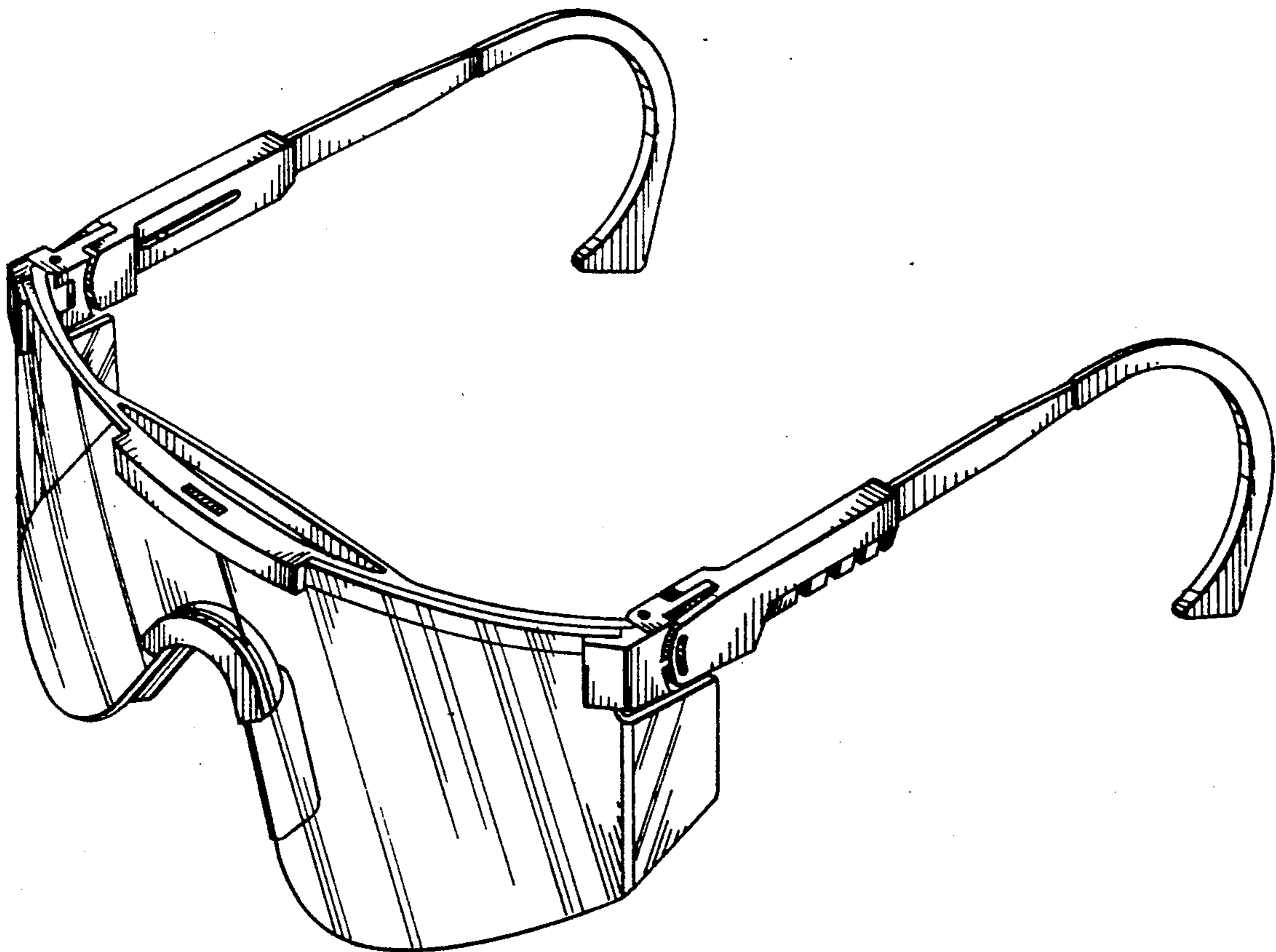
Primary Examiner—Bernard Ansher
Assistant Examiner—R. Barkai
Attorney, Agent, or Firm—Salter, Michaelson & Benson

[57] **CLAIM**

The ornamental design for an eyeglasses, as shown.

DESCRIPTION

FIG. 1 is a perspective view of eyeglasses showing my new design;
FIG. 2 is a side elevational view thereof;
FIG. 3 is a front elevational view thereof;
FIG. 4 is a top plan view thereof;
FIG. 5 is a bottom plan view thereof;
FIG. 6 is a rear elevational view thereof;
FIG. 7 is a perspective view of a second modified embodiment of the design shown in FIGS. 1-6;
FIG. 8 is a side elevational view thereof;
FIG. 9 is a front elevational view thereof;
FIG. 10 is a top plan view thereof;
FIG. 11 is a bottom plan view thereof; and,
FIG. 12 is a rear elevational view thereof.



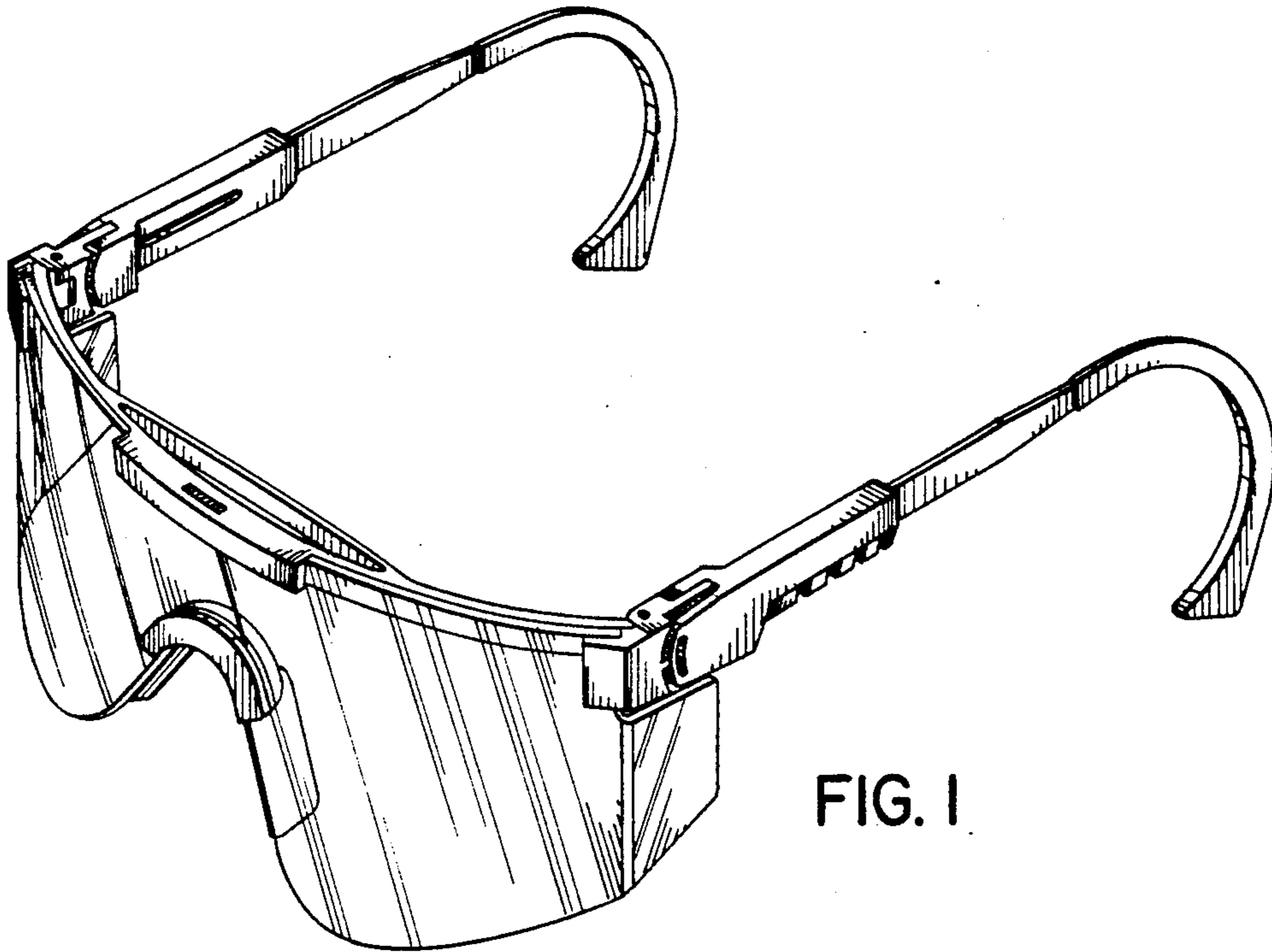


FIG. 1

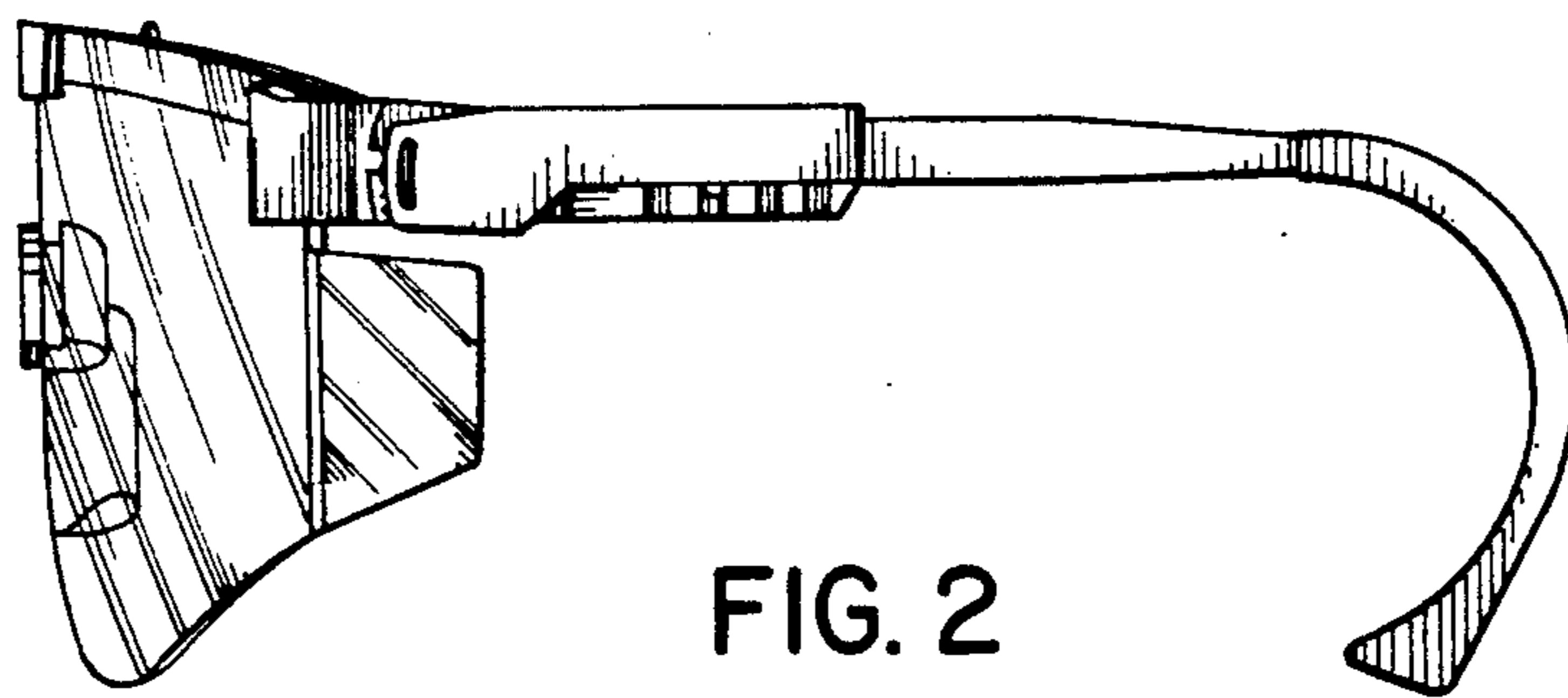


FIG. 2

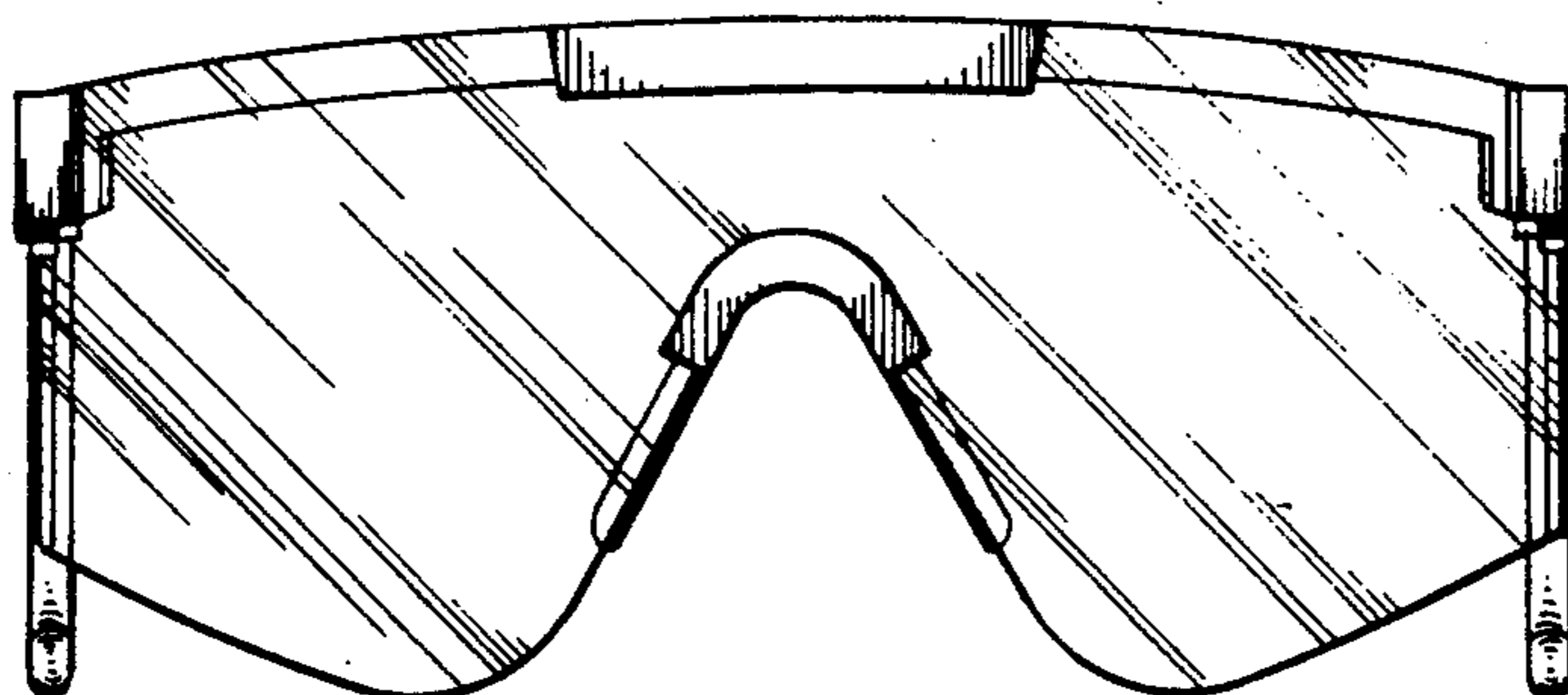


FIG. 3

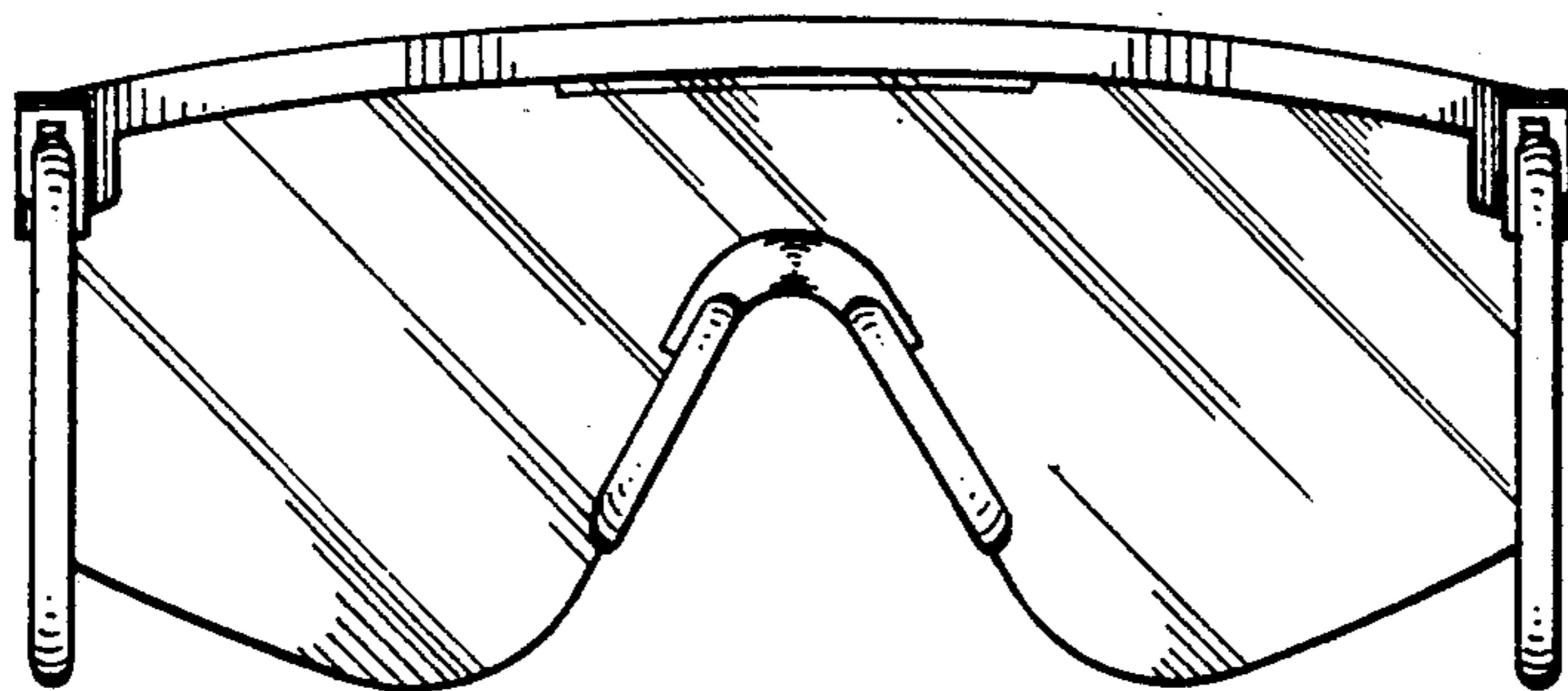
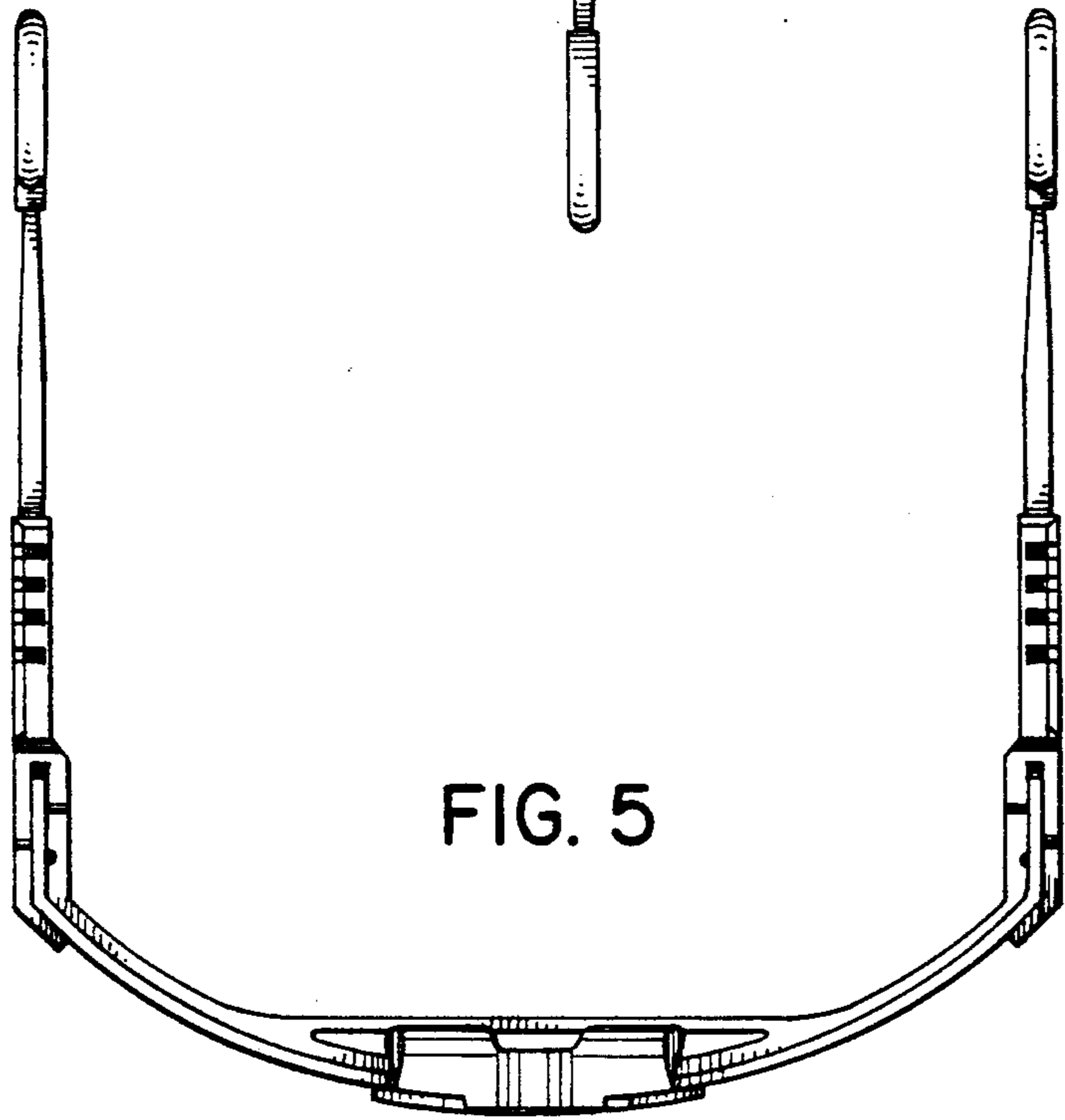
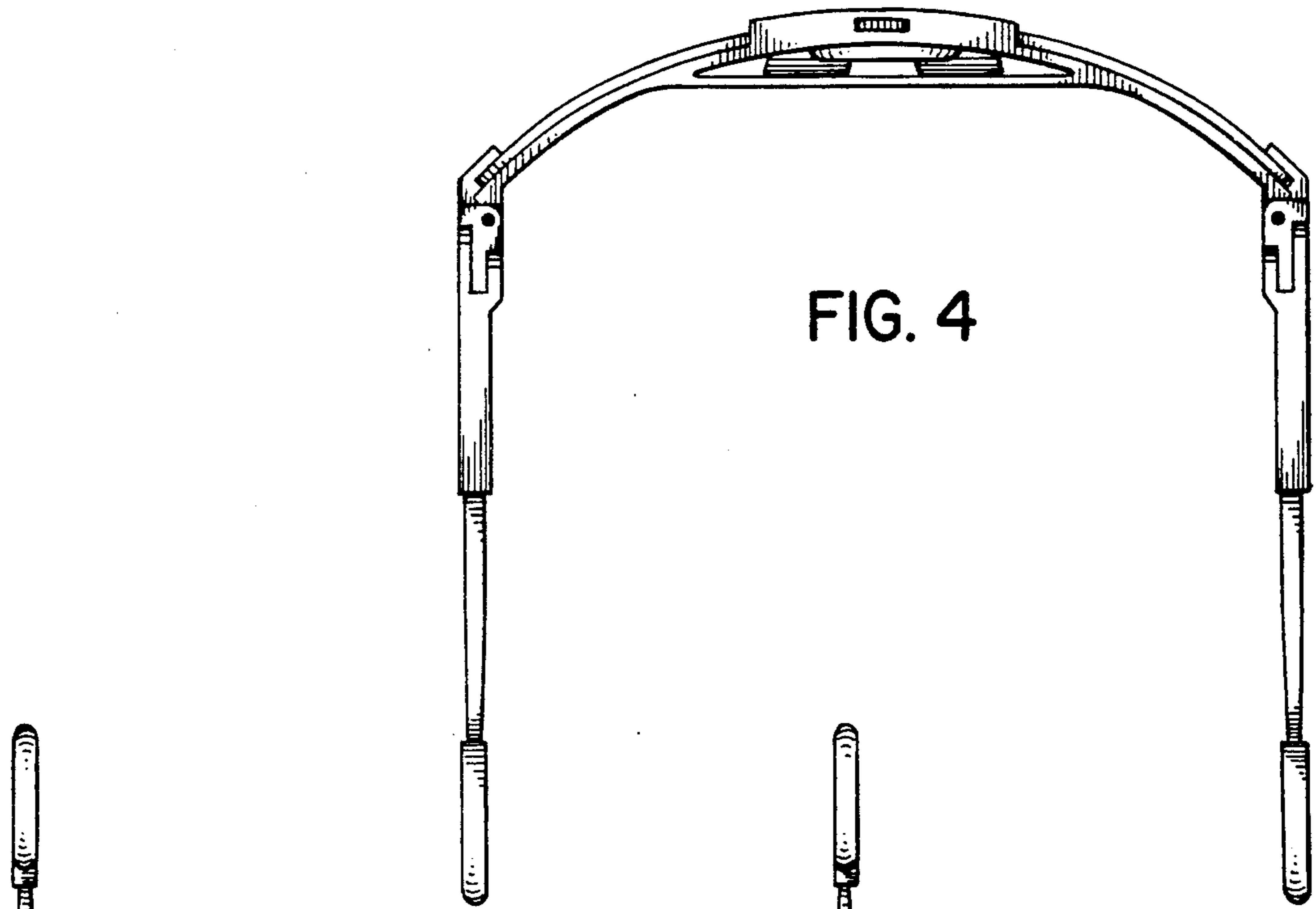


FIG. 6

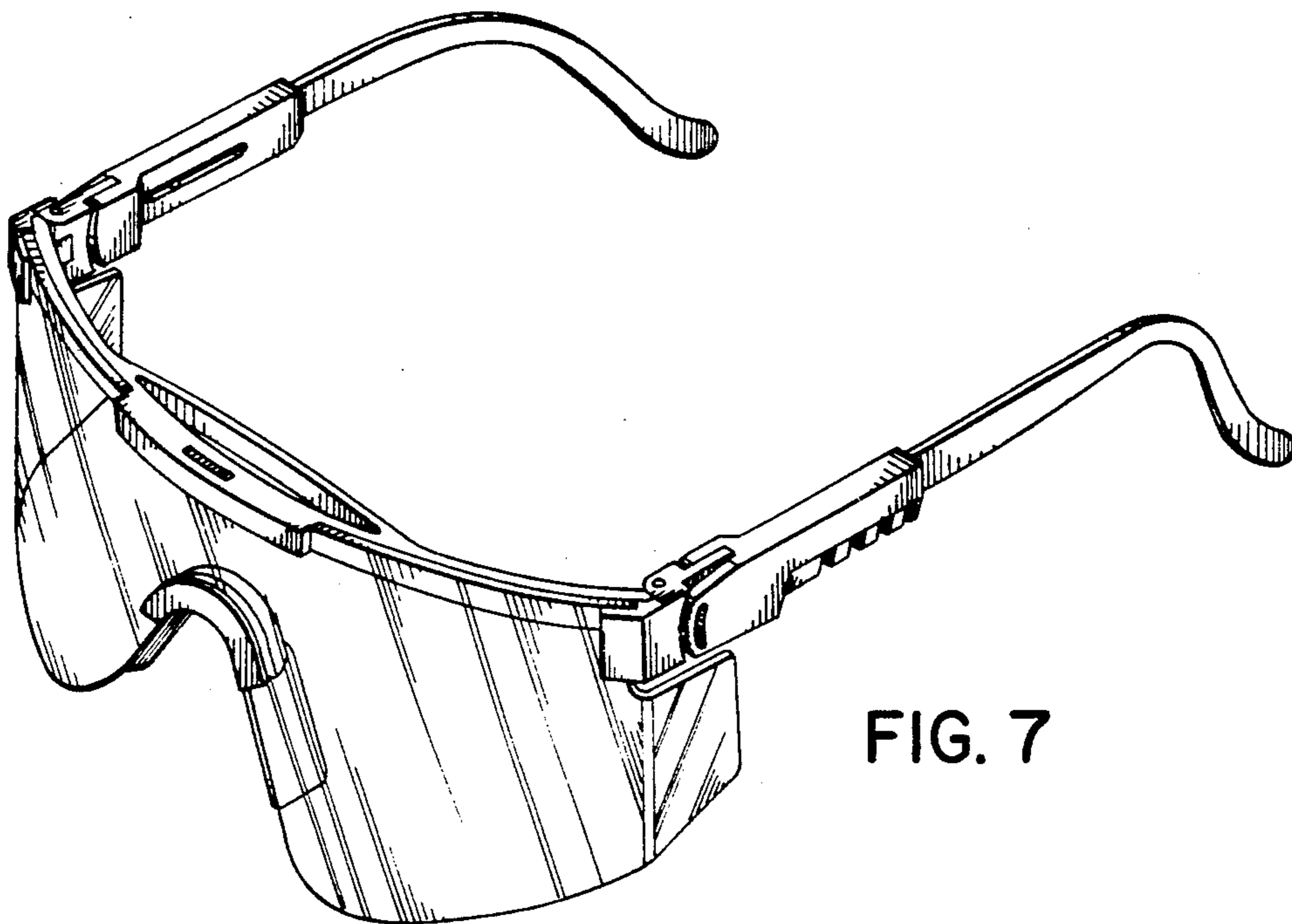


FIG. 7

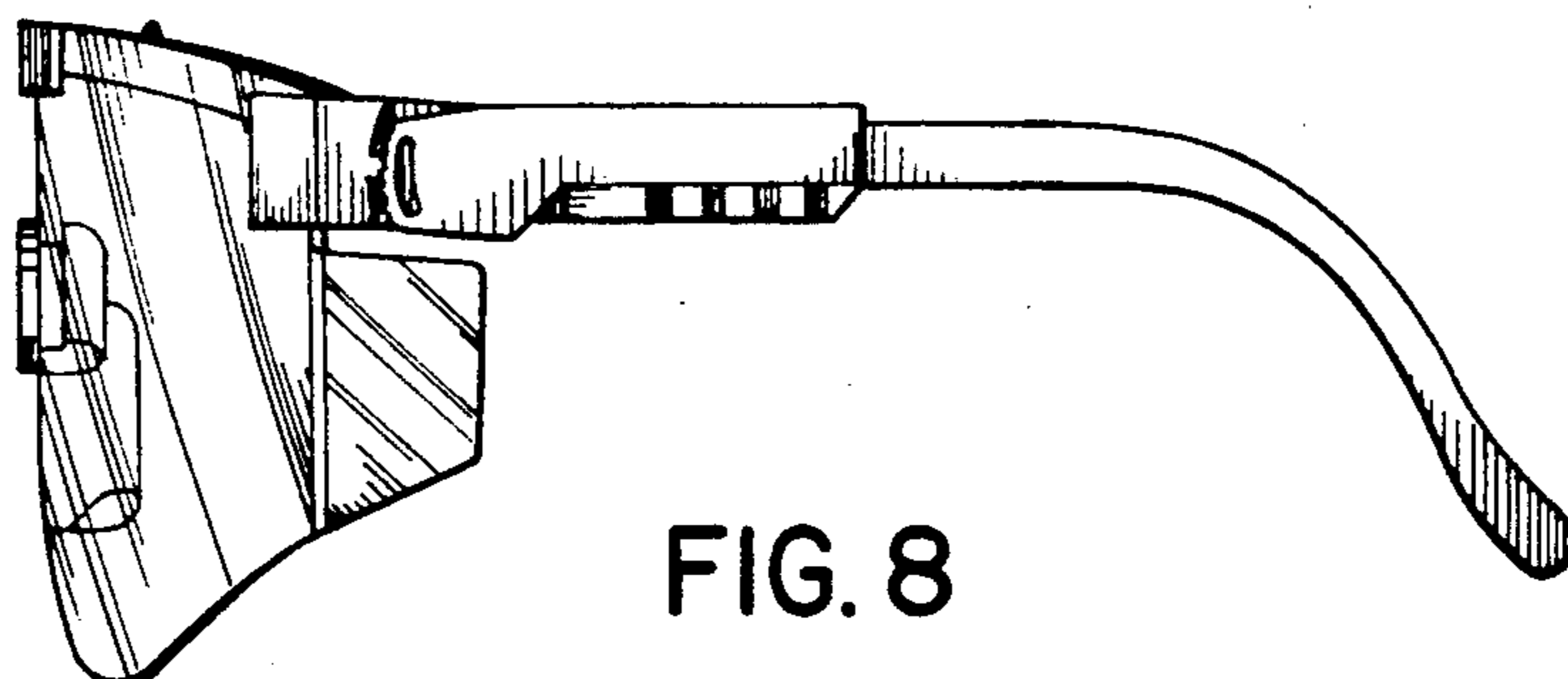


FIG. 8

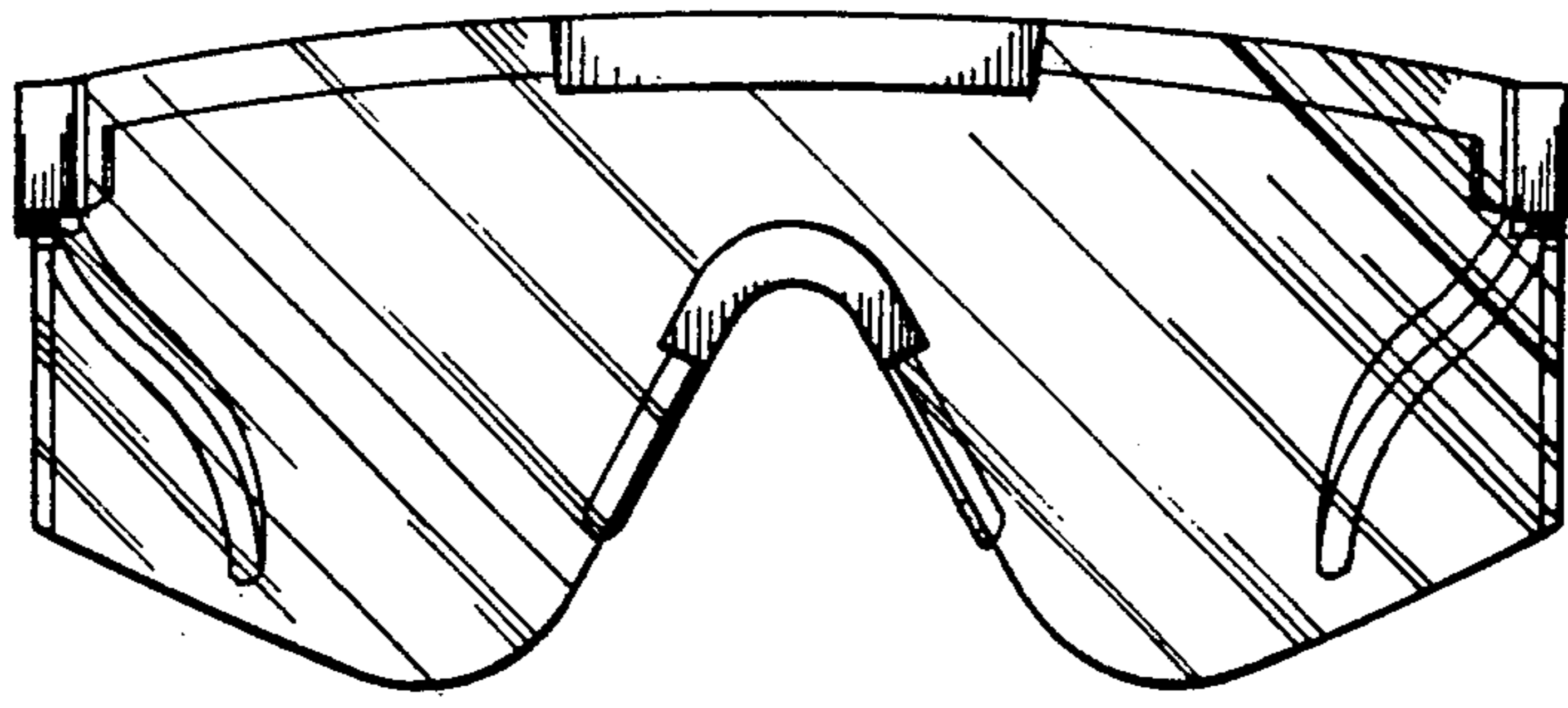


FIG. 9

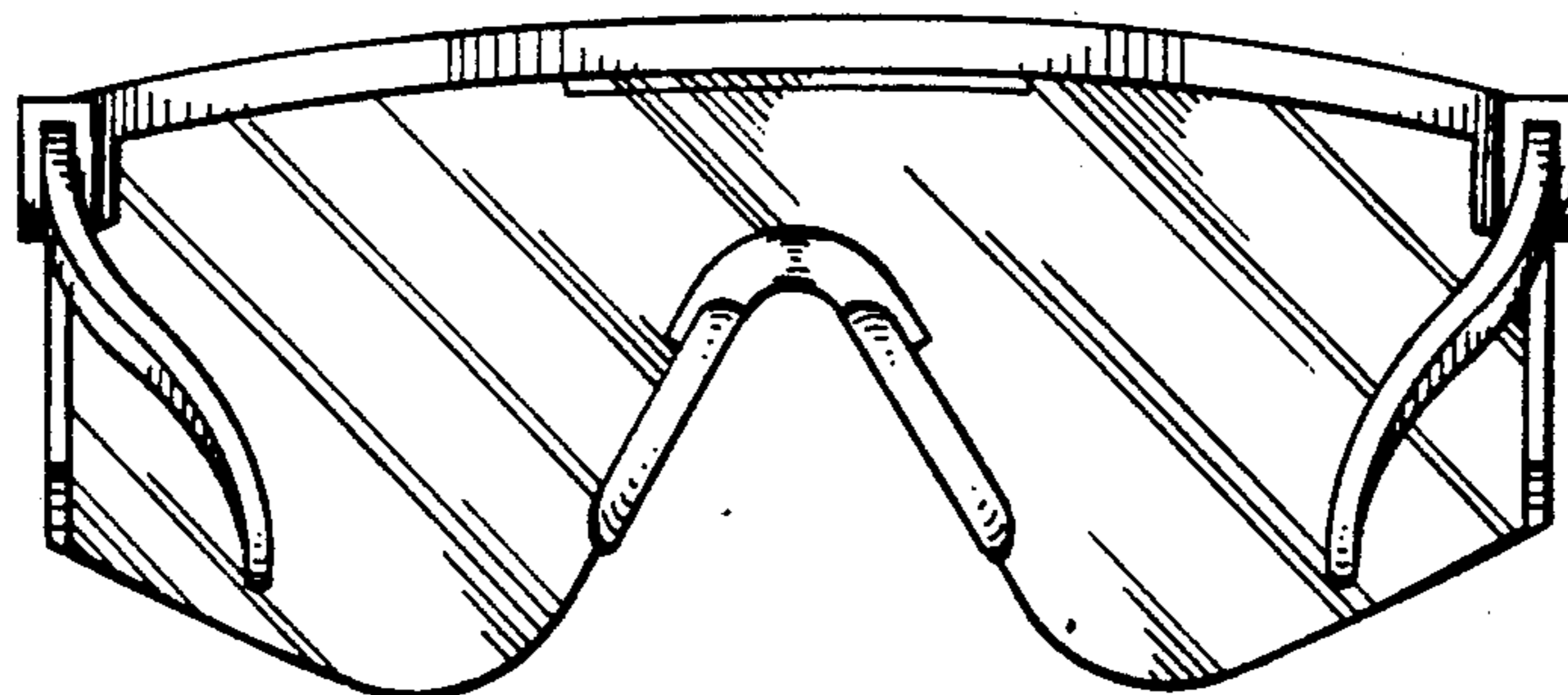
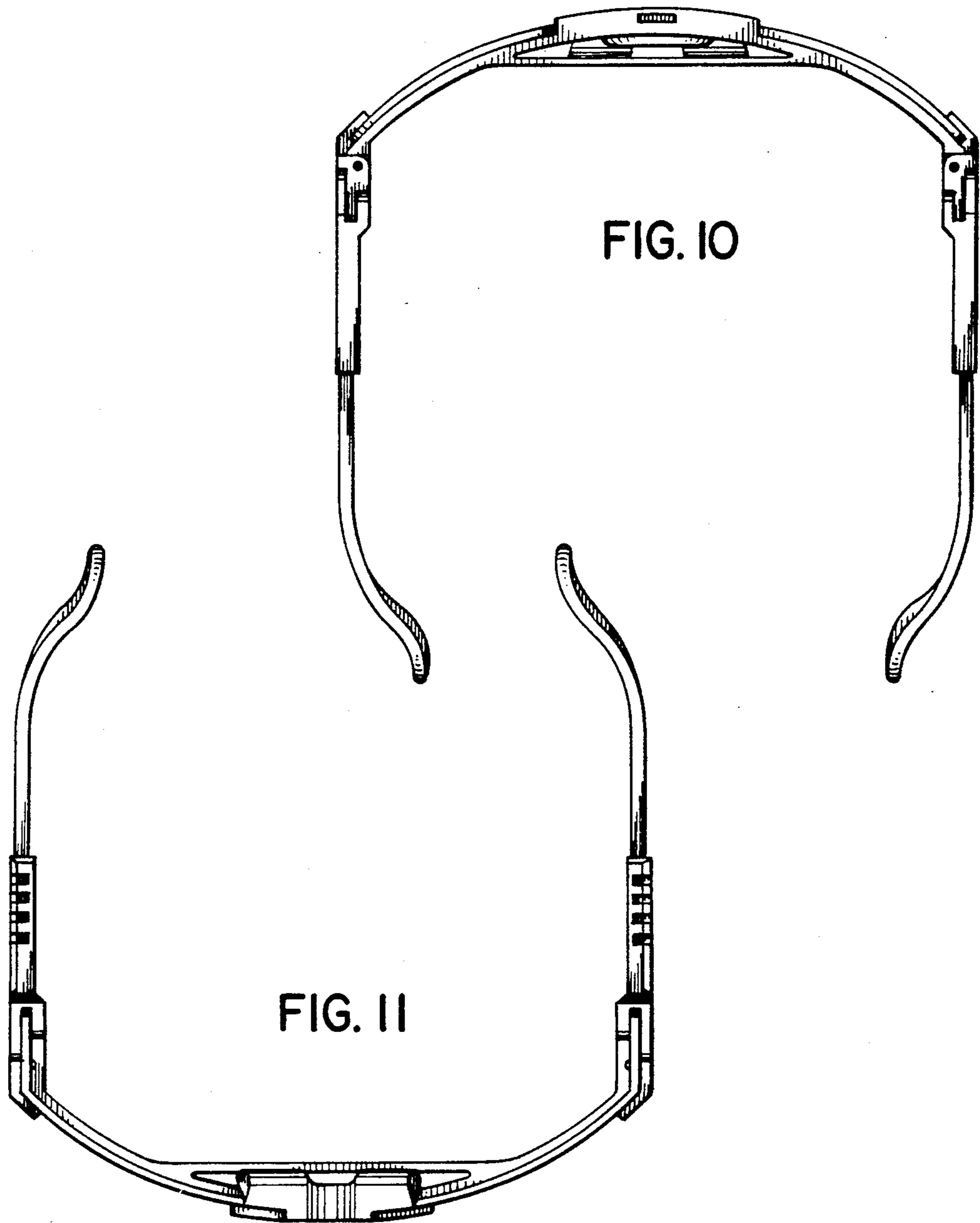


FIG. 12