



US00D331762S

# United States Patent [19]

[11] Patent Number: **Des. 331,762**

Matt

[45] Date of Patent: **\*\* Dec. 15, 1992**

[54] CERAMIC TILE CUTTING INSTRUMENT

[75] Inventor: **Adolf Matt, Göfis, Austria**

[73] Assignee: **Kaufmann Gesellschaft m.b.H. & Co. KG, Göfis, Austria**

[\*\*] Term: **14 Years**

[21] Appl. No.: **525,179**

[22] Filed: **May 16, 1990**

[30] Foreign Application Priority Data

Nov. 17, 1989 [AT] Austria ..... 27700/465/1989

[52] U.S. Cl. .... **D15/127; D15/129**

[58] Field of Search ..... **D15/127, 129; D8/71; 51/135 R; 83/37, 49, 51, 52, 300, 303, 307.2, 318, 578; 125/23.01, 21, 24; 118/246; 156/42, 44, 342, 549; 225/96.5, 93; 428/255**

[56] References Cited

U.S. PATENT DOCUMENTS

D. 172,910 8/1954 Vennell ..... D15/127 X  
D. 291,578 8/1987 Hepworth ..... D15/127

2,164,688	7/1939	Parsons et al. ....	125/23.01
2,933,079	4/1960	Gutting .....	125/23.01
3,161,190	12/1964	Stephens et al. ....	125/23.01
4,084,569	4/1978	Christmas .....	D15/127 X
4,770,156	9/1988	Sucarrats .....	125/23.01
4,922,886	5/1990	Hepworth .....	125/23.01

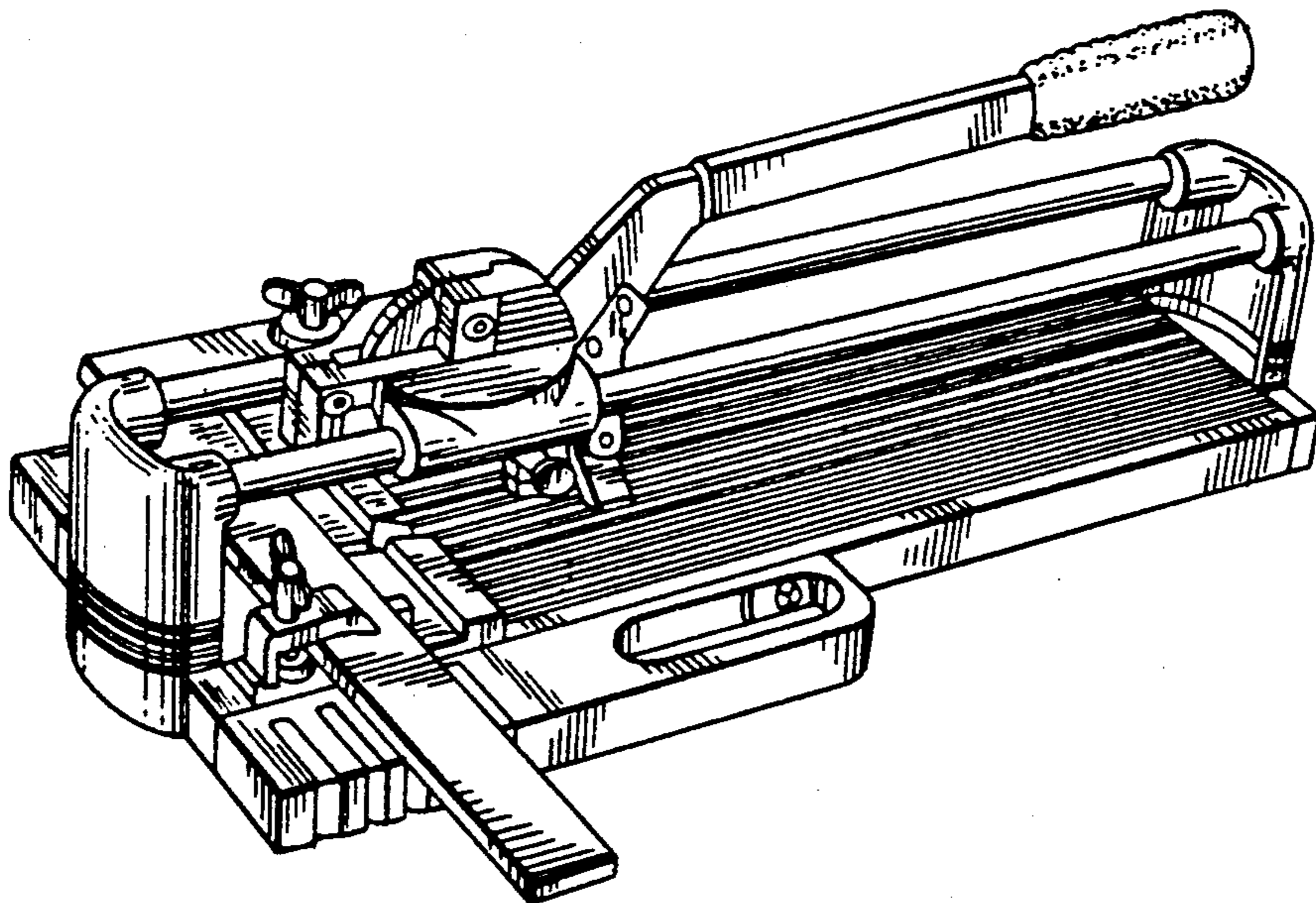
*Primary Examiner*—Nelson C. Holtje  
*Assistant Examiner*—Antoine D. Davis  
*Attorney, Agent, or Firm*—Anderson, Kill Olick & Oshinsky

[57] CLAIM

The ornamental design for a ceramic tile cutting instrument, as shown and described.

DESCRIPTION

FIG. 1 is a top and left side perspective view of a ceramic tile cutting instrument showing my new design; FIG. 2 is a top, front and right side perspective view; FIG. 3 is a top, front and left side perspective view; FIG. 4 is a top, front and right side perspective view, shown with the handle positioned in a raised condition; FIG. 5 is a top and right side perspective view; and, FIG. 6 is a bottom plan view thereof.



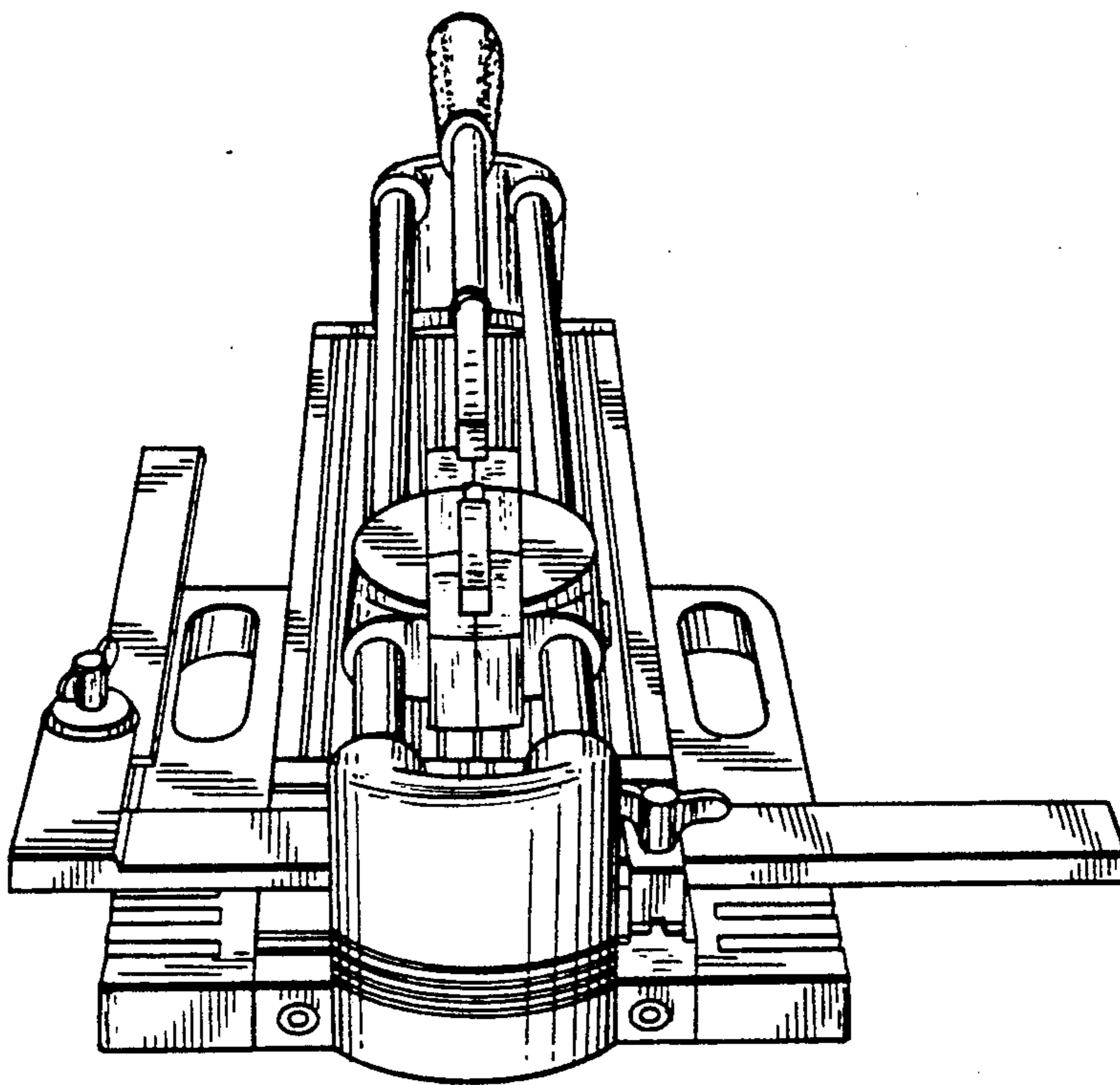


FIG. 1

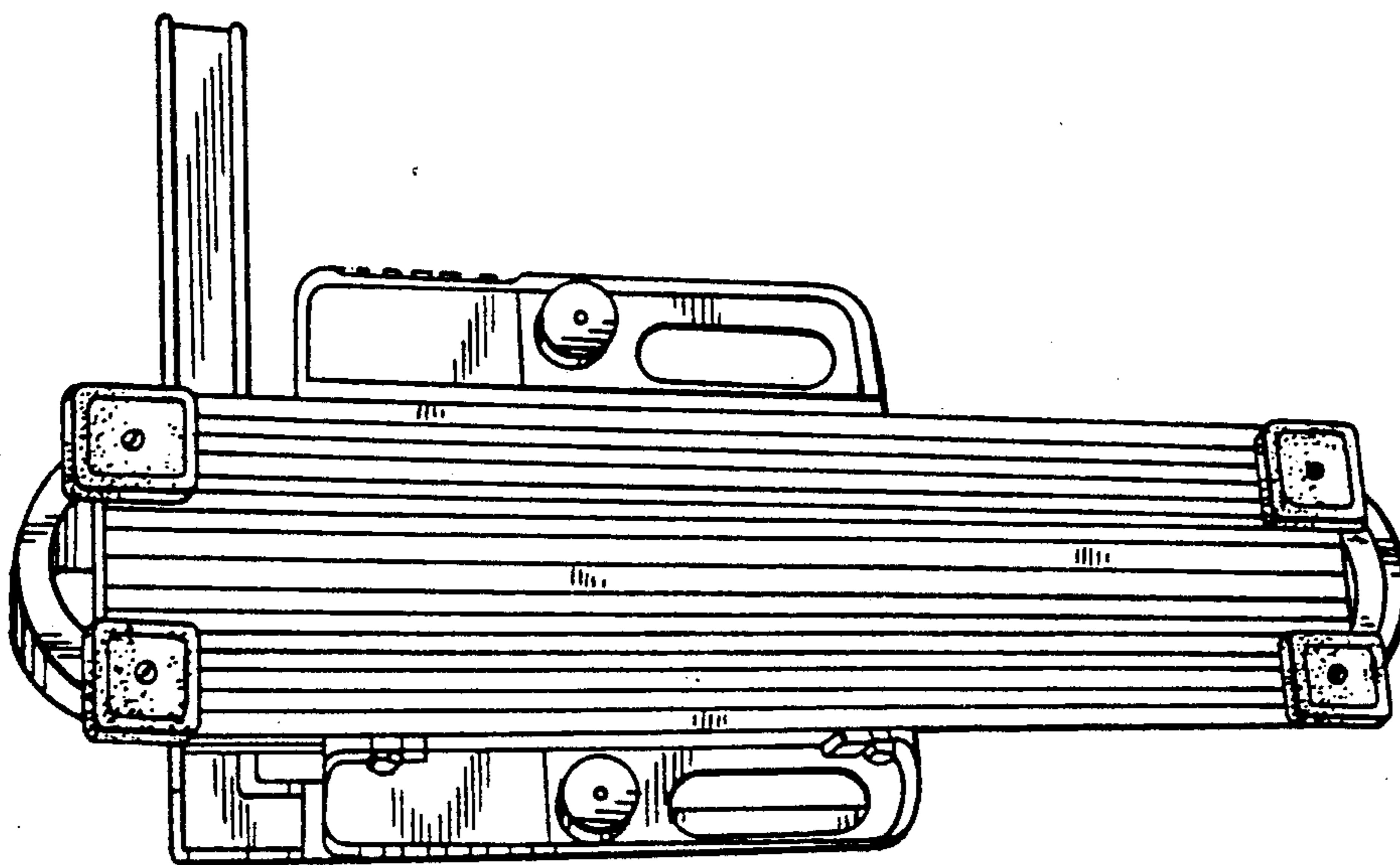


FIG. 6

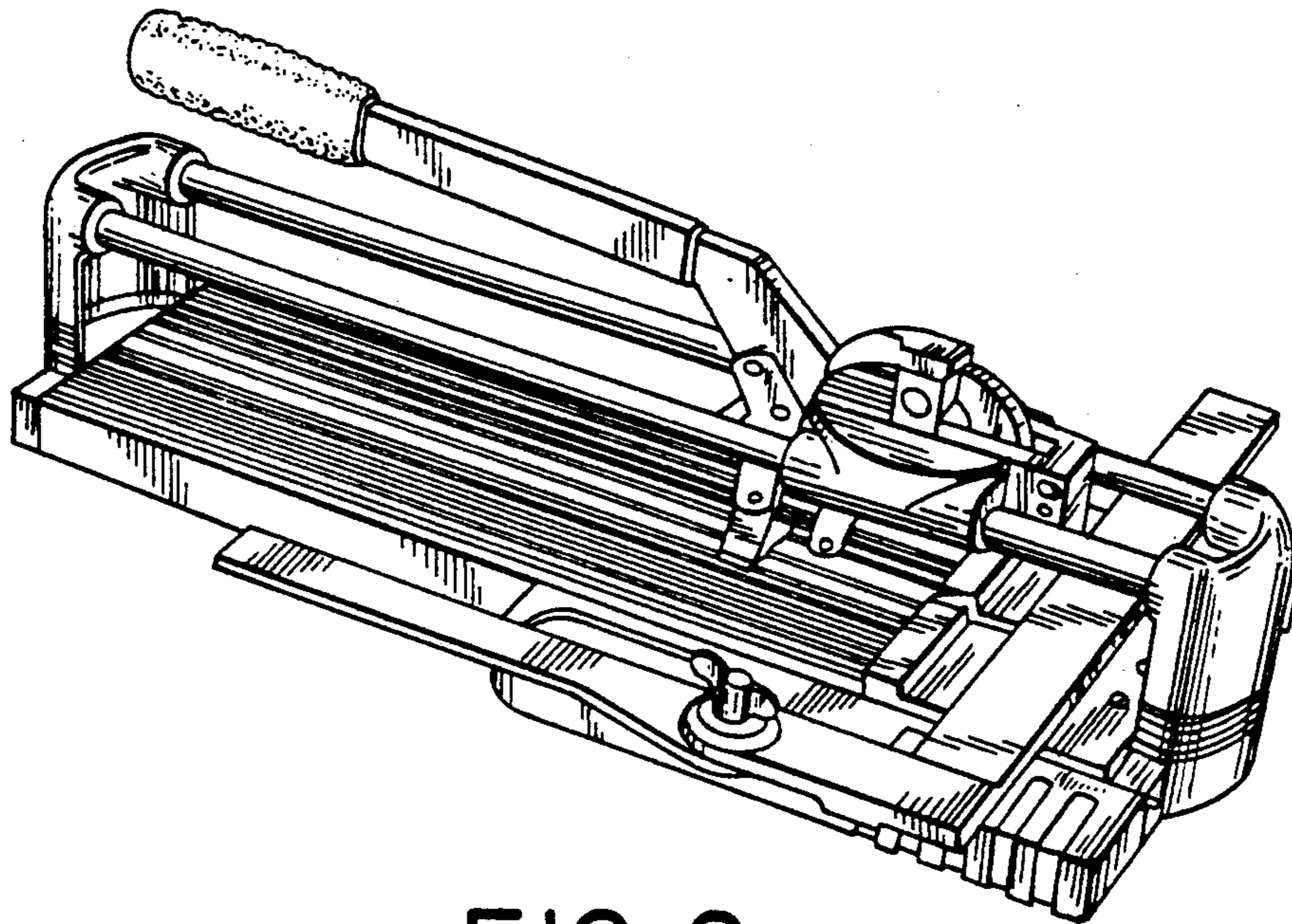


FIG. 2

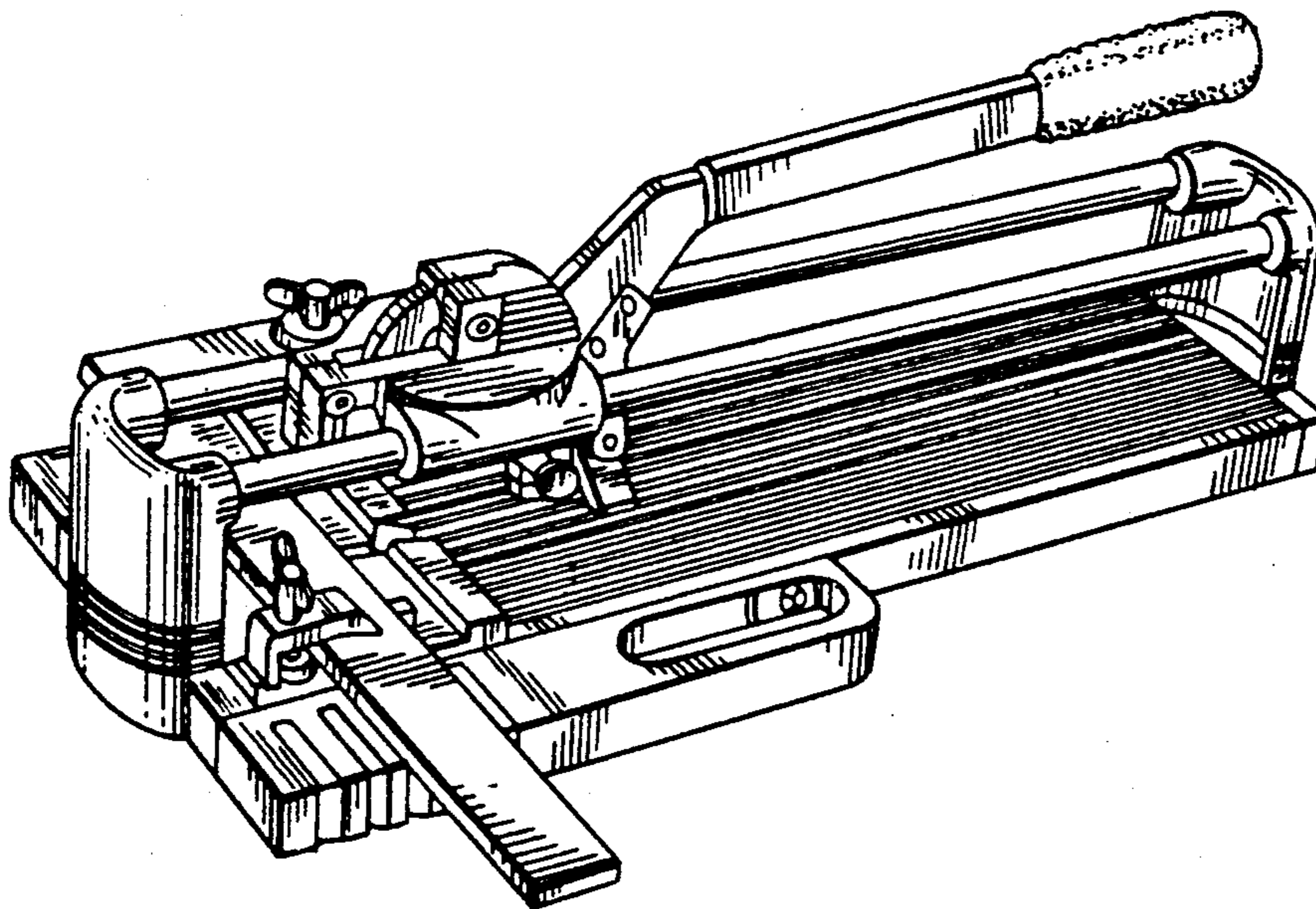


FIG. 3

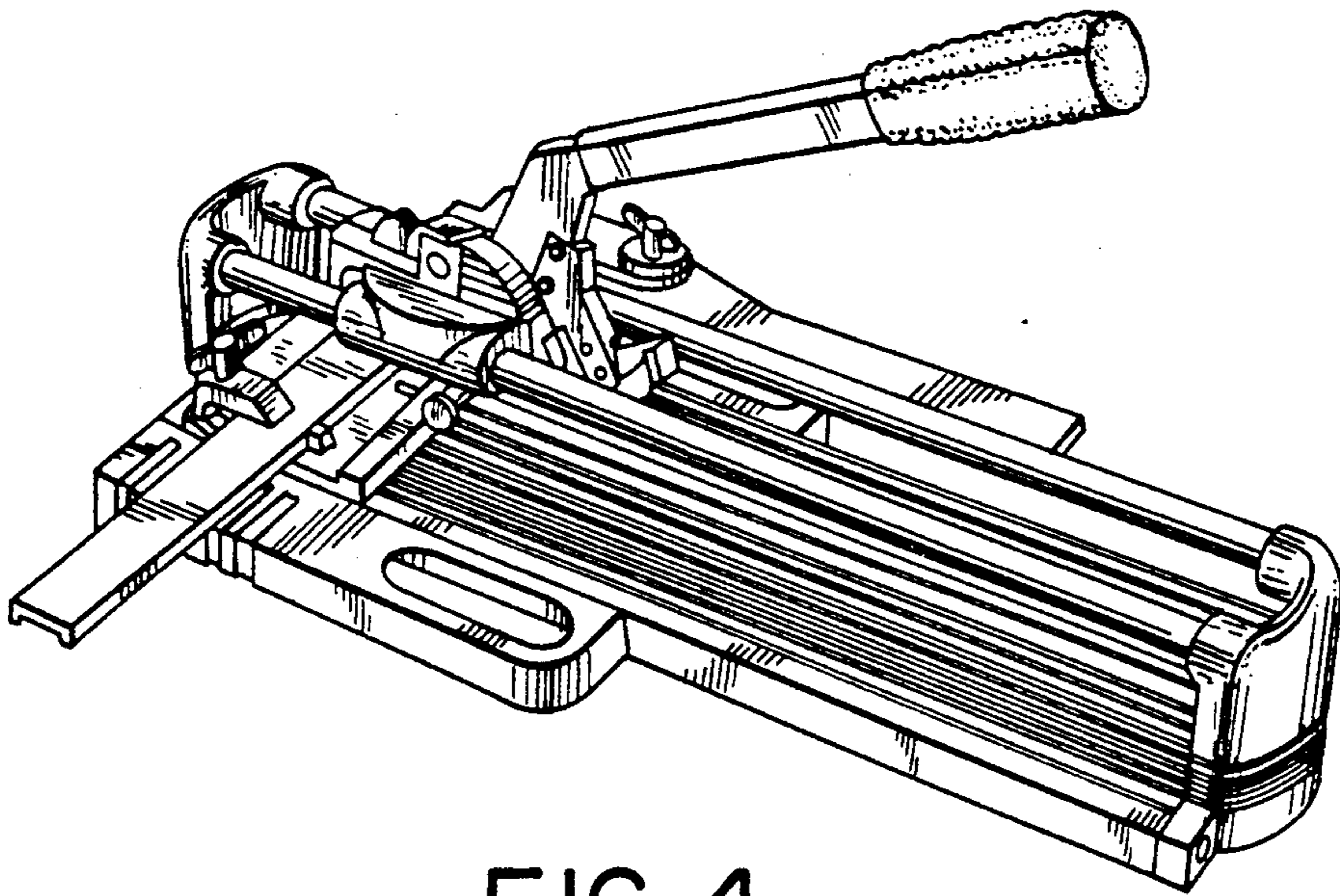


FIG. 4

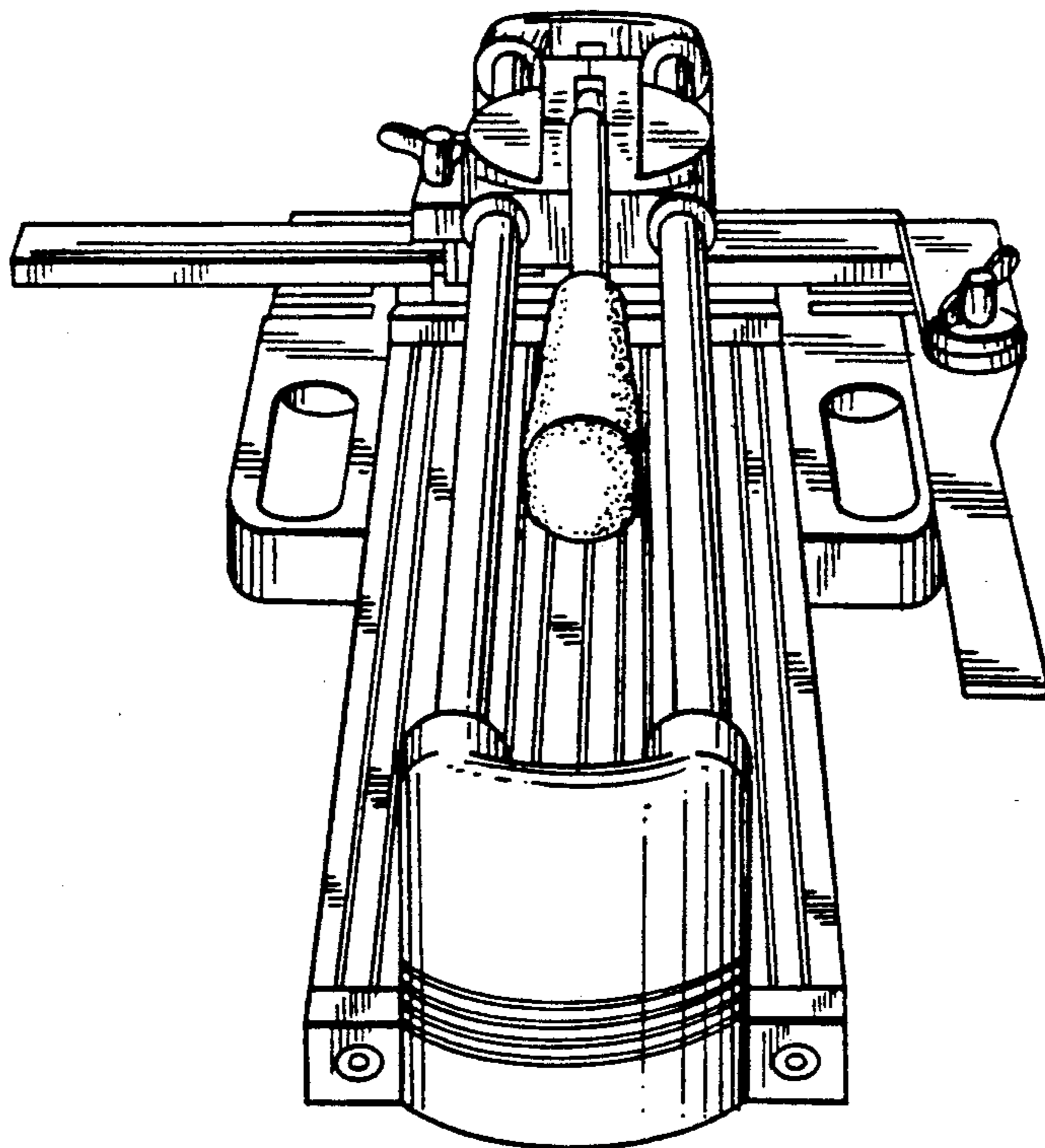


FIG. 5