



US00D331761S

United States Patent [19] Hollinger

[11] Patent Number: **Des. 331,761**
[45] Date of Patent: **** Dec. 15, 1992**

[54] **BATTERY POWERED SEWING MACHINE**
[75] Inventor: **Fred Hollinger, Kings Park, N.Y.**
[73] Assignee: **E. Mishan & Sons, Inc., New York, N.Y.**
[**] Term: **14 Years**
[21] Appl. No.: **832,759**
[22] Filed: **Feb. 6, 1992**
[52] U.S. Cl. **D15/69**
[58] Field of Search **D15/66, 69, 70; 112/110, 154, 169, 258; D8/49, 50**

4,535,711 8/1985 Ketterer 112/169

OTHER PUBLICATIONS

'Design' Dec. 1977 p. 30 Pfaff sewing machine, bottom left.
Hong Kong Household Oct. 1983, p. 70 sewing machine, bottom left.
Home Furnishings Daily Apr. 9, 1984 singer sewing machines, top right & bottom left.
Macy's Promotional Brochure, Feb. 1992.

Primary Examiner—Bernard Ansher
Assistant Examiner—Sandra Morris
Attorney, Agent, or Firm—Notaro & Michalos

[56] References Cited U.S. PATENT DOCUMENTS

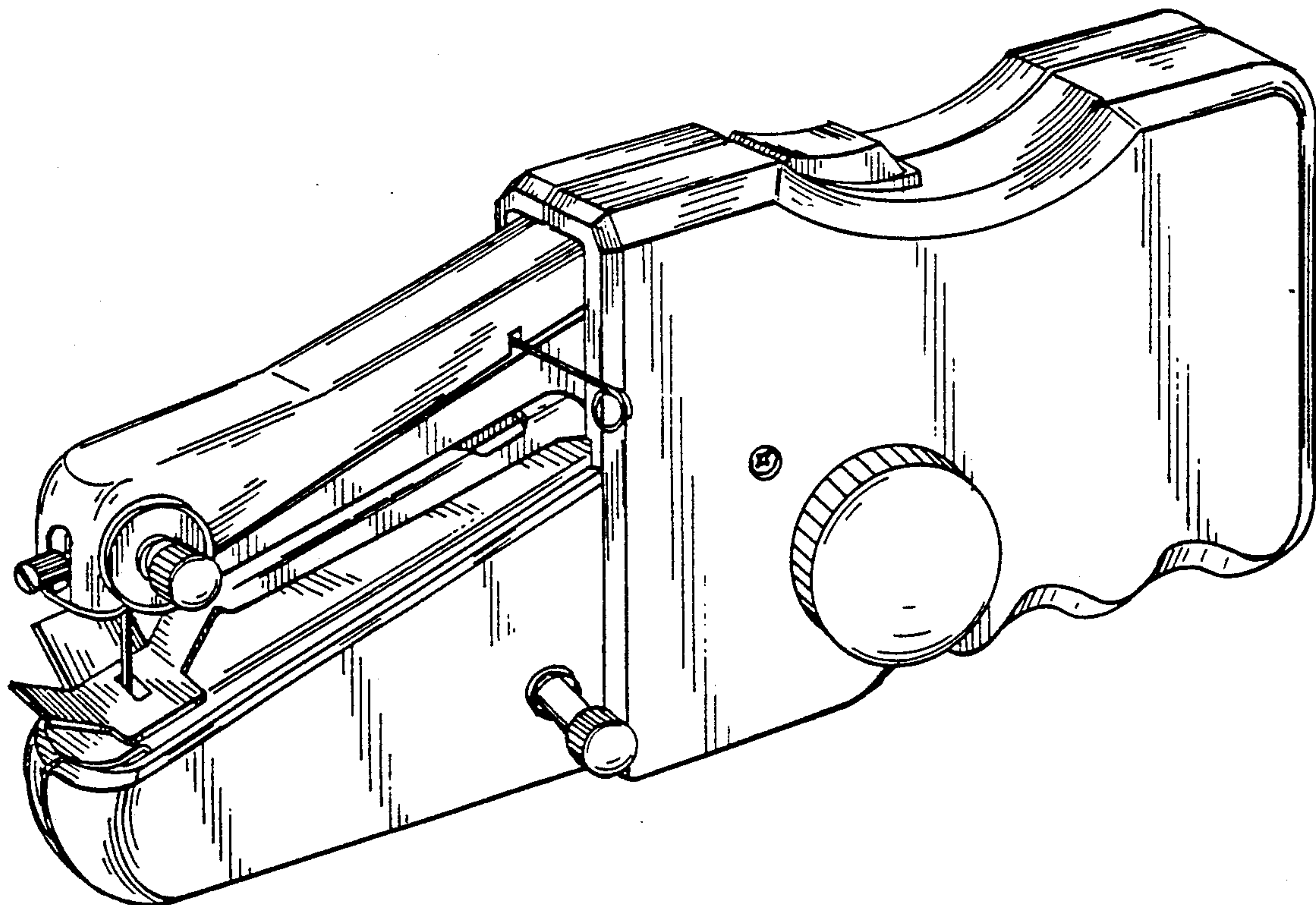
D. 213,923	4/1969	Morris .	
D. 216,841	3/1970	Kustusch	D15/69
D. 234,634	3/1975	Doyel .	
D. 260,265	8/1981	Doyel	D15/69
D. 268,031	2/1983	Zappa	D15/69
D. 268,088	3/1983	Bass .	
D. 272,647	2/1984	Warman et al. .	
D. 278,912	5/1985	Laude et al. .	
D. 282,074	1/1986	Seyama .	
D. 285,164	8/1986	Jacoff .	
D. 320,147	9/1991	Mayo et al. .	
4,428,312	1/1984	Ketterer	112/169

[57] CLAIM

The ornamental design for a battery powered sewing machine, as shown and described.

DESCRIPTION

FIG. 1 is a top, right front perspective view of a battery powered sewing machine, showing my new design; FIG. 2 is a top plan view thereof; FIG. 3 is a right side elevational view thereof; FIG. 4 is a front elevational view thereof; FIG. 5 is a bottom plan view thereof; FIG. 6 is a left side elevational view thereof; and, FIG. 7 is a rear elevational view thereof.



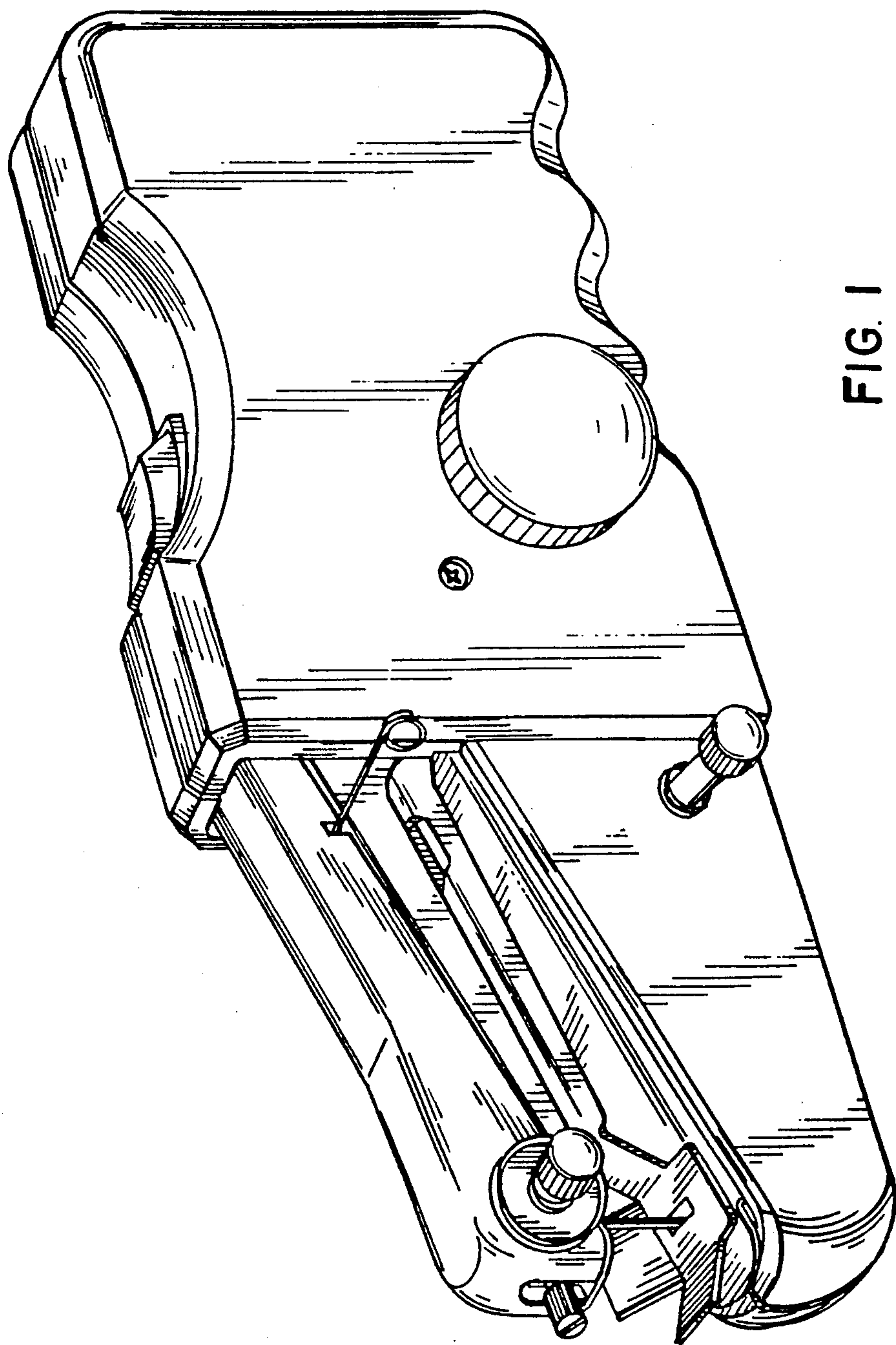


FIG. 1

FIG. 2

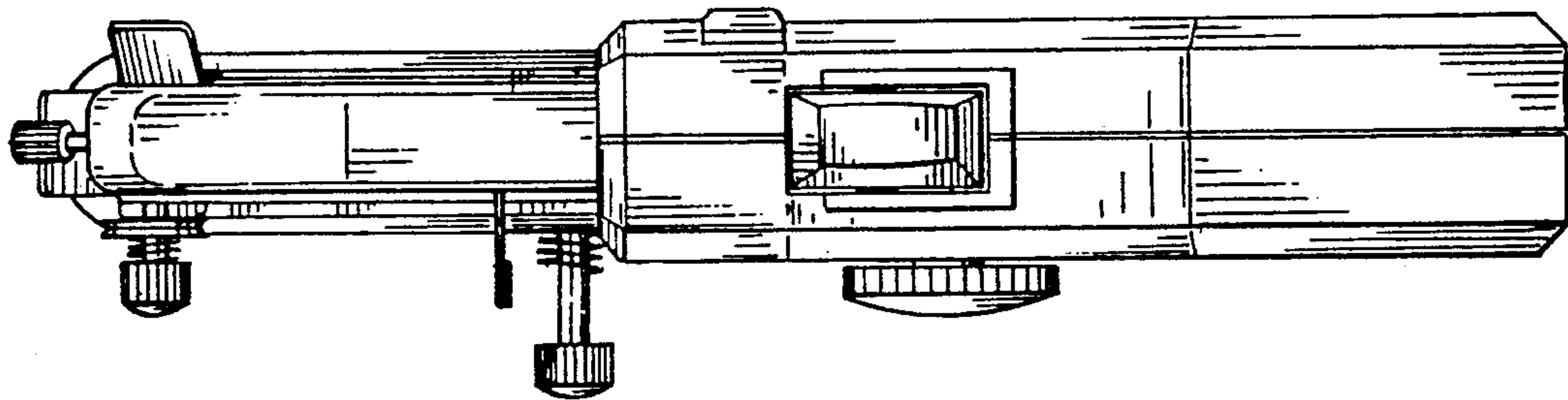


FIG. 3

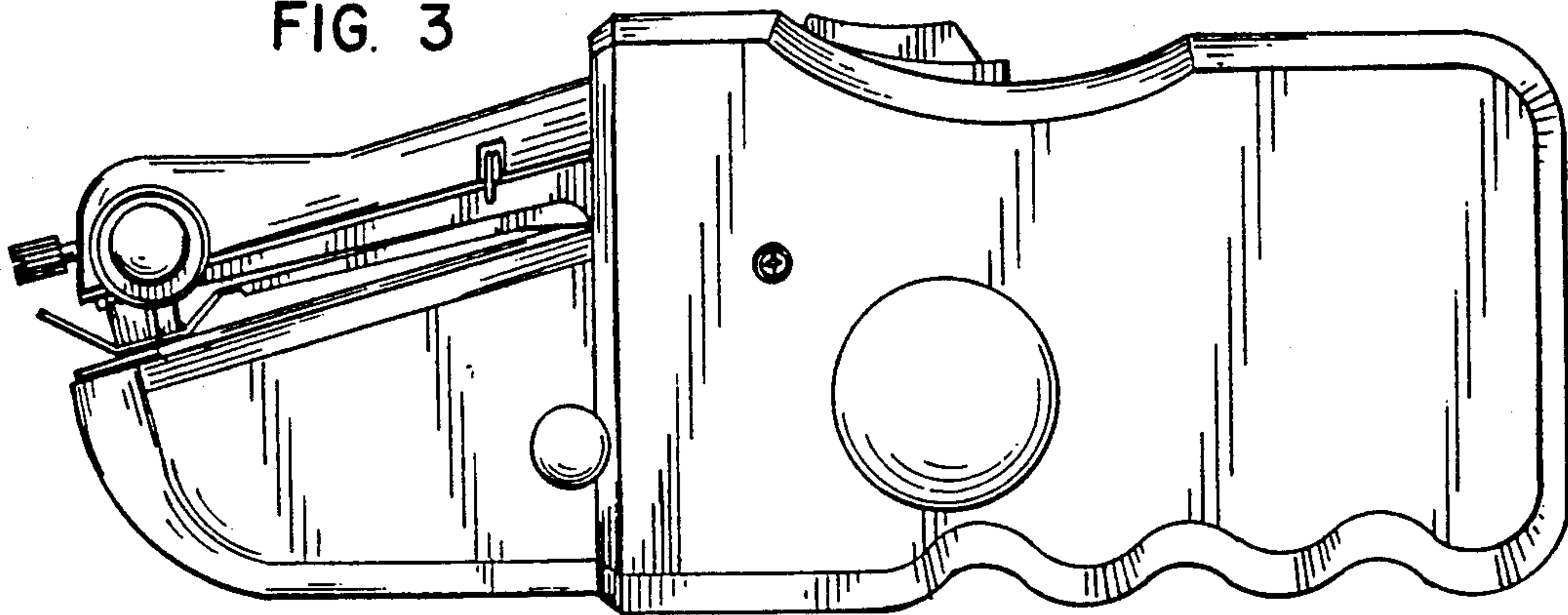


FIG. 4

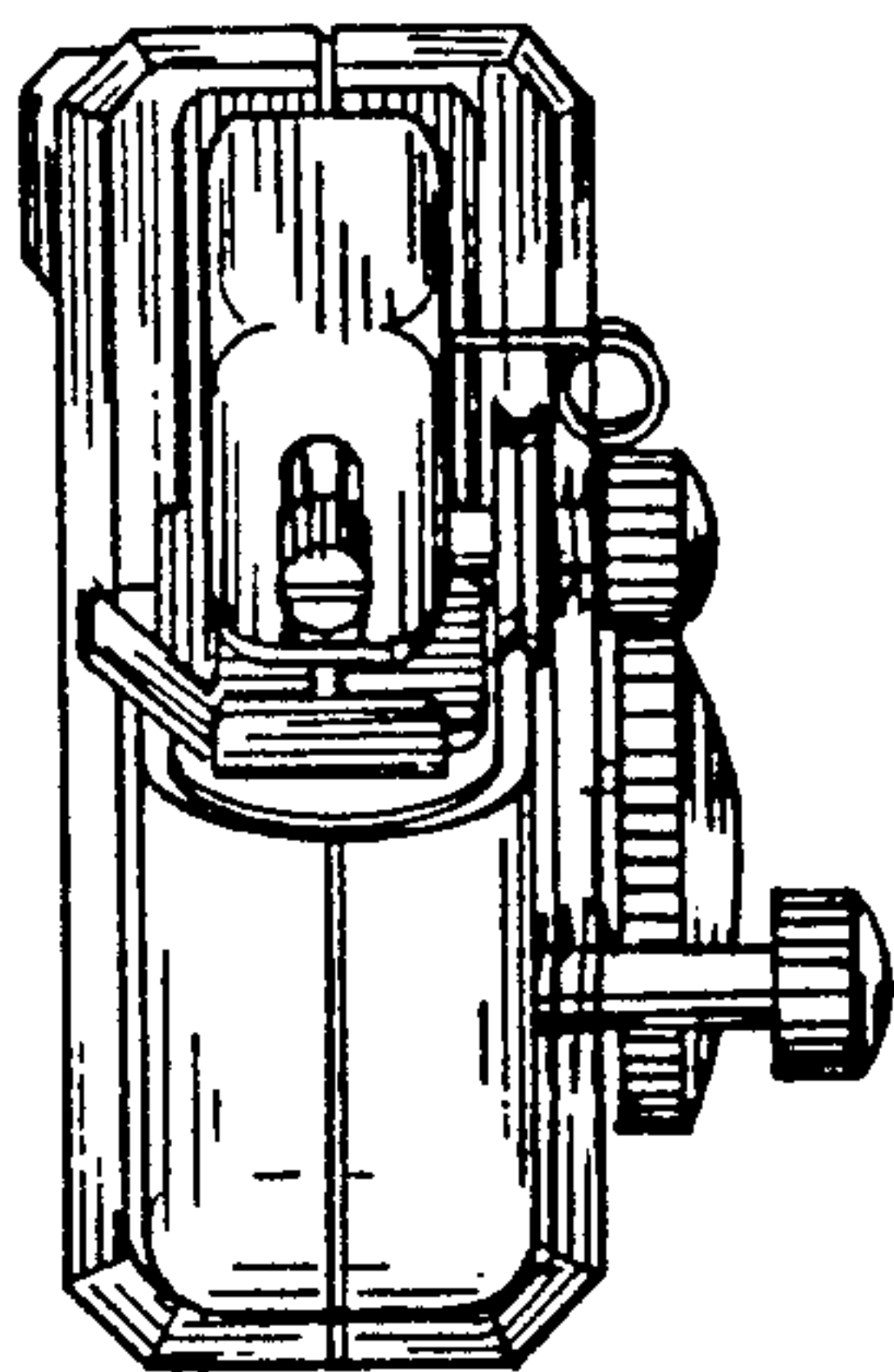


FIG. 5

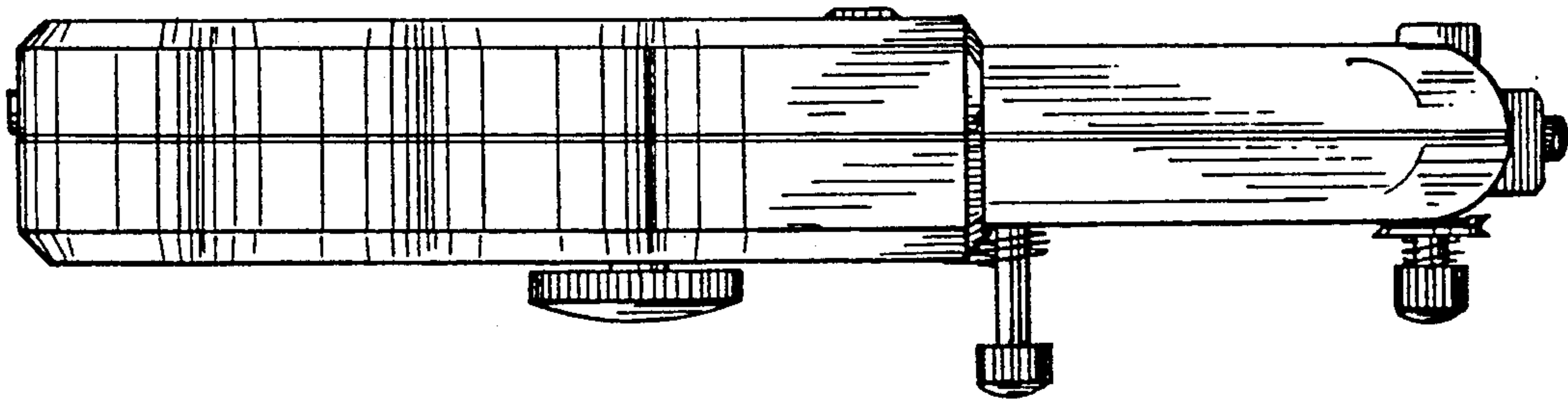


FIG. 6

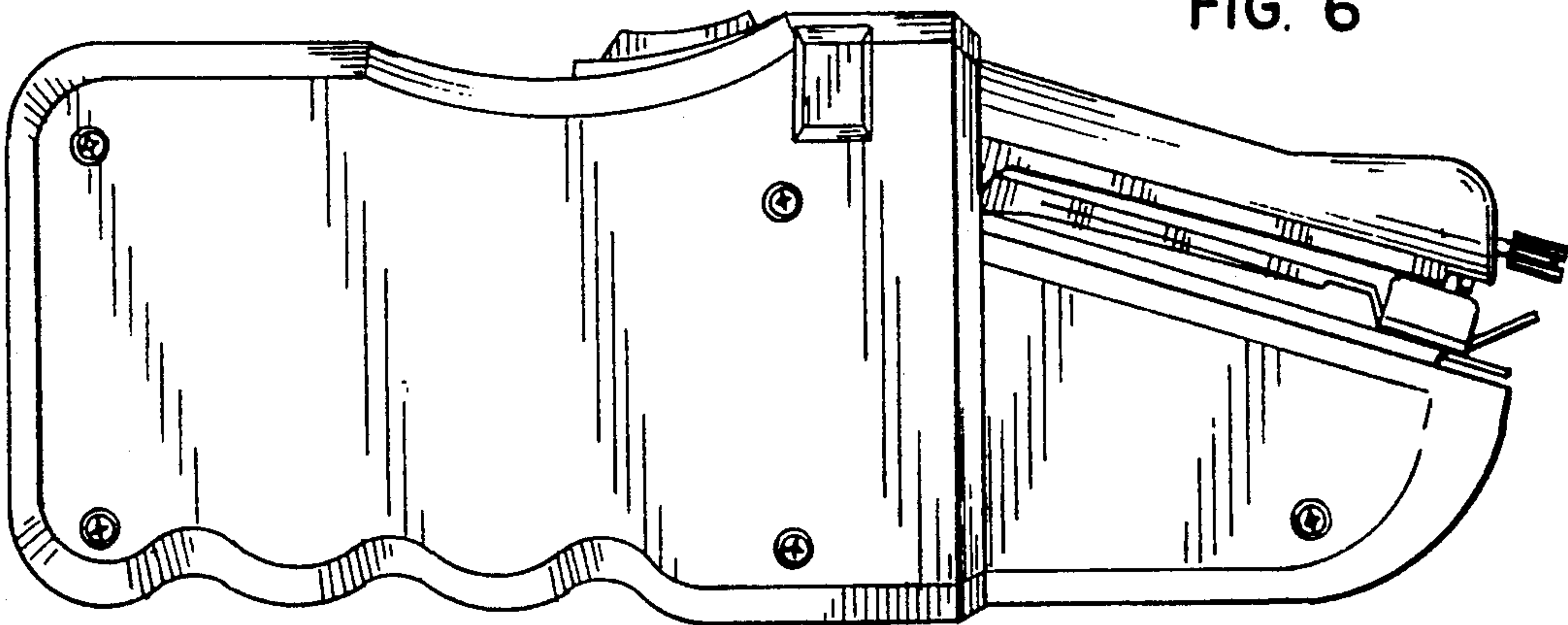


FIG. 7

