



US00D331759S

# United States Patent [19]

Renard

[11] Patent Number: **Des. 331,759**

[45] Date of Patent: **\*\* Dec. 15, 1992**

[54] TELEPHONE SET

[75] Inventor: **Marc Renard, Pierrefitte, France**

[73] Assignee: **Matra Communication, France**

[\*\*] Term: **14 Years**

[21] Appl. No.: **654,570**

[22] Filed: **Feb. 12, 1991**

[30] Foreign Application Priority Data

Aug. 22, 1990 [WO] World Int. Prop. O. .... DM/017448

[52] U.S. Cl. .... **D14/151**

[58] Field of Search ..... D14/138, 151, 142, 149;  
379/433, 440; 40/336

[56] References Cited

### U.S. PATENT DOCUMENTS

- D. 297,732 9/1988 Chan ..... D14/151
- D. 302,272 7/1989 Sharp, Jr. .... D14/142
- D. 302,690 8/1989 Krohn et al. .... D14/151 X
- D. 303,383 9/1989 Reichenstein ..... D14/138

- D. 305,120 12/1989 Gariano ..... D14/142 X
- D. 316,411 4/1991 Faliero ..... D14/151
- D. 318,663 7/1991 Frisinger ..... D14/142 X
- 3,518,783 7/1970 Foley ..... D14/151 X
- 4,395,591 7/1983 Kaczkos ..... D14/142 X
- 4,736,411 4/1988 Chan ..... 379/368
- 4,821,320 4/1989 Andert et al. .... D14/151 X

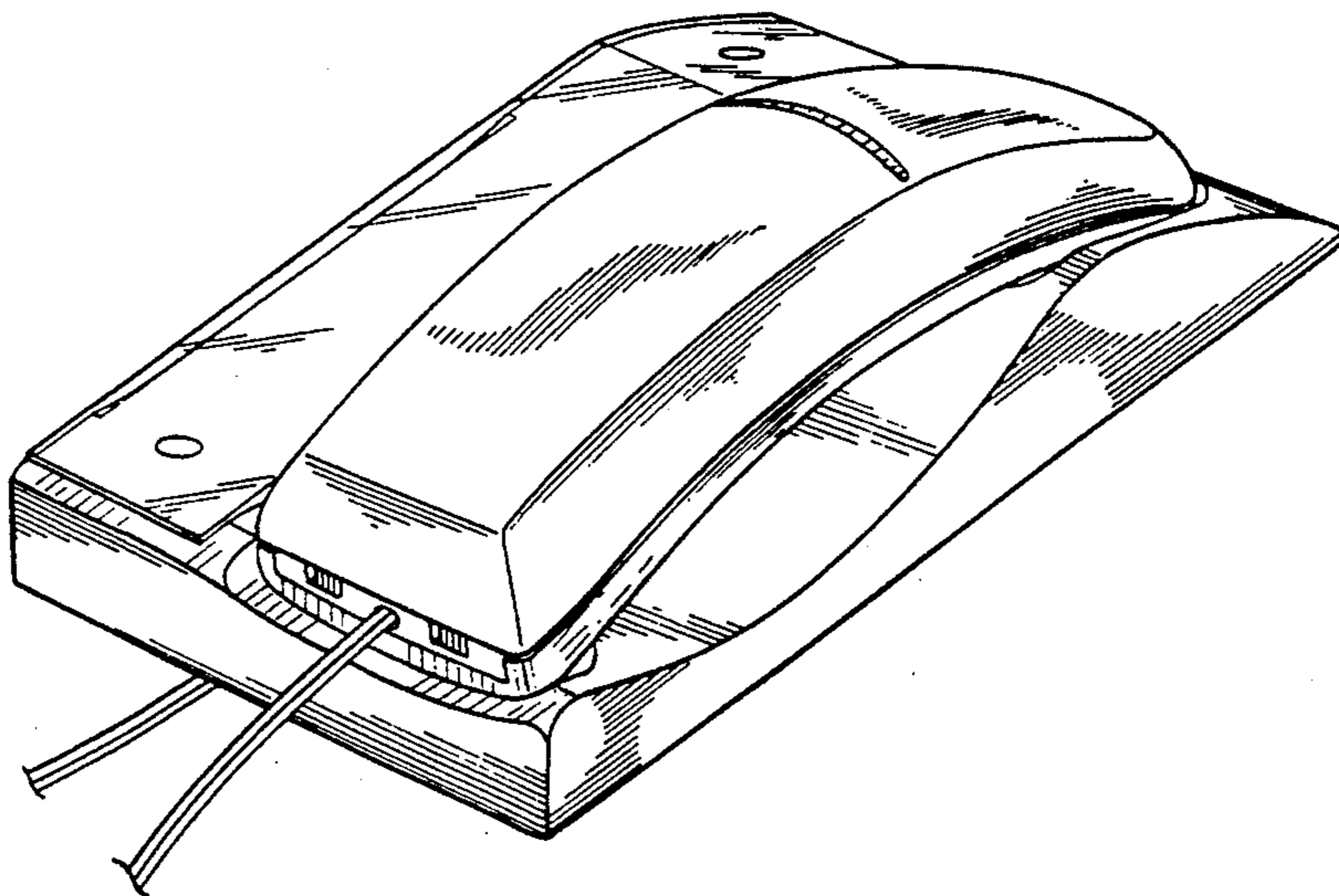
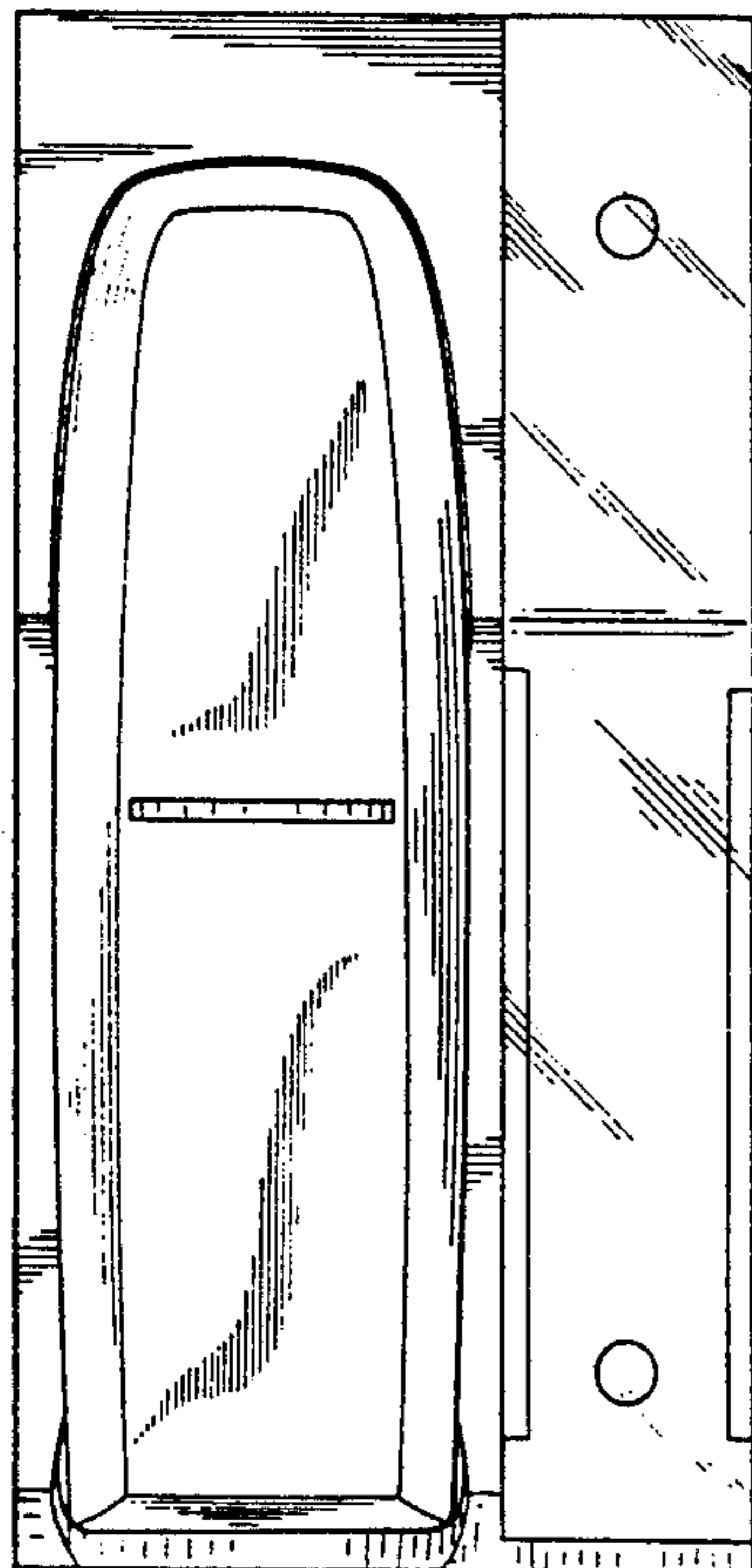
Primary Examiner—Horace B. Fay, Jr.  
Attorney, Agent, or Firm—Larson & Taylor

[57] CLAIM

The ornamental design for a telephone set, as shown.

### DESCRIPTION

FIG. 1 is a front elevational view of the hand set of the telephone set, showing my new design;  
FIGS. 2 and 3 are left and right side elevational views thereof;  
FIG. 4 is a rear elevational view thereof;  
FIG. 5 is a bottom plan view thereof;  
FIG. 6 is a top plan view thereof; and,  
FIG. 7 is a front perspective view of the telephone set showing my new design.



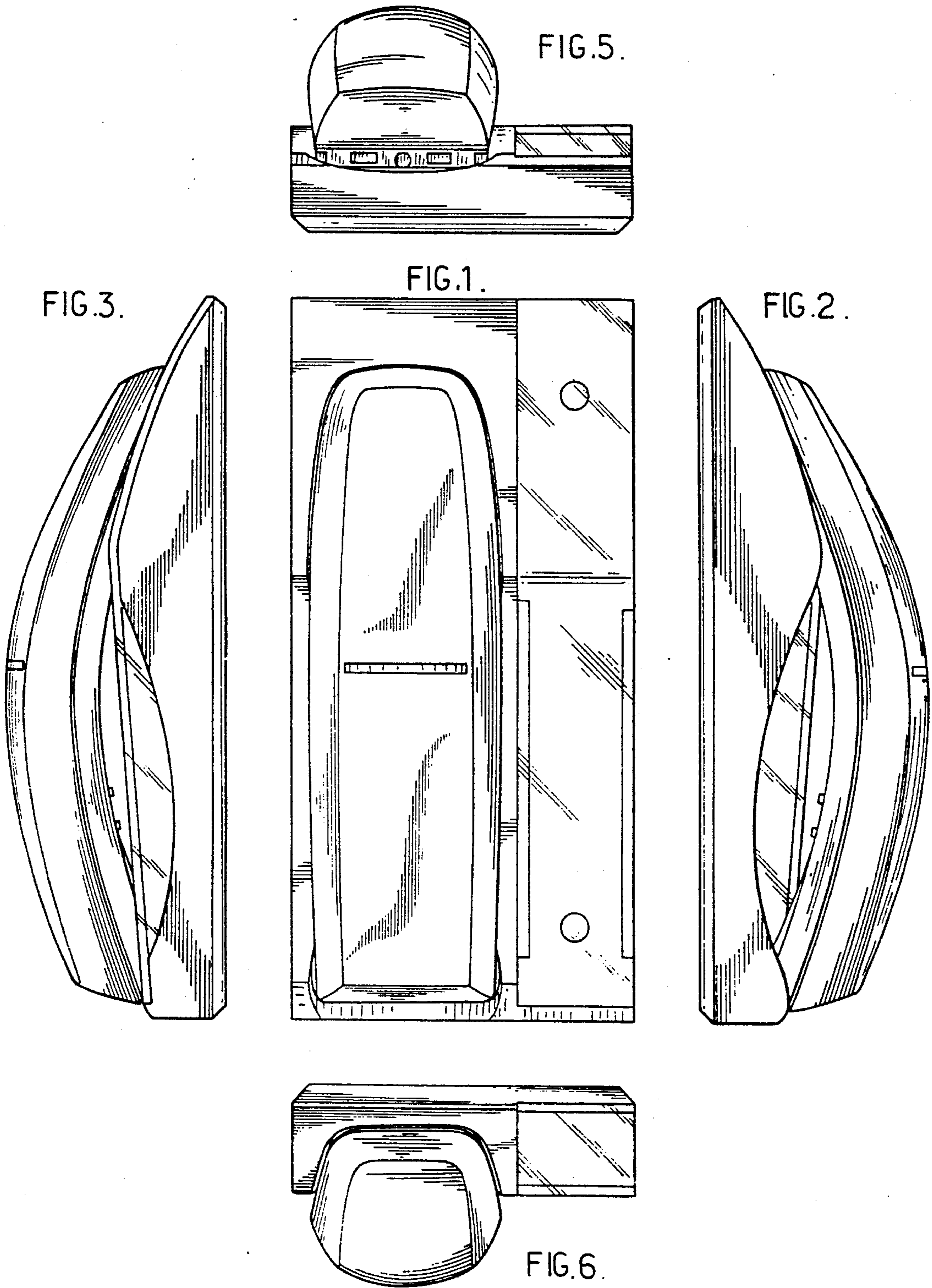
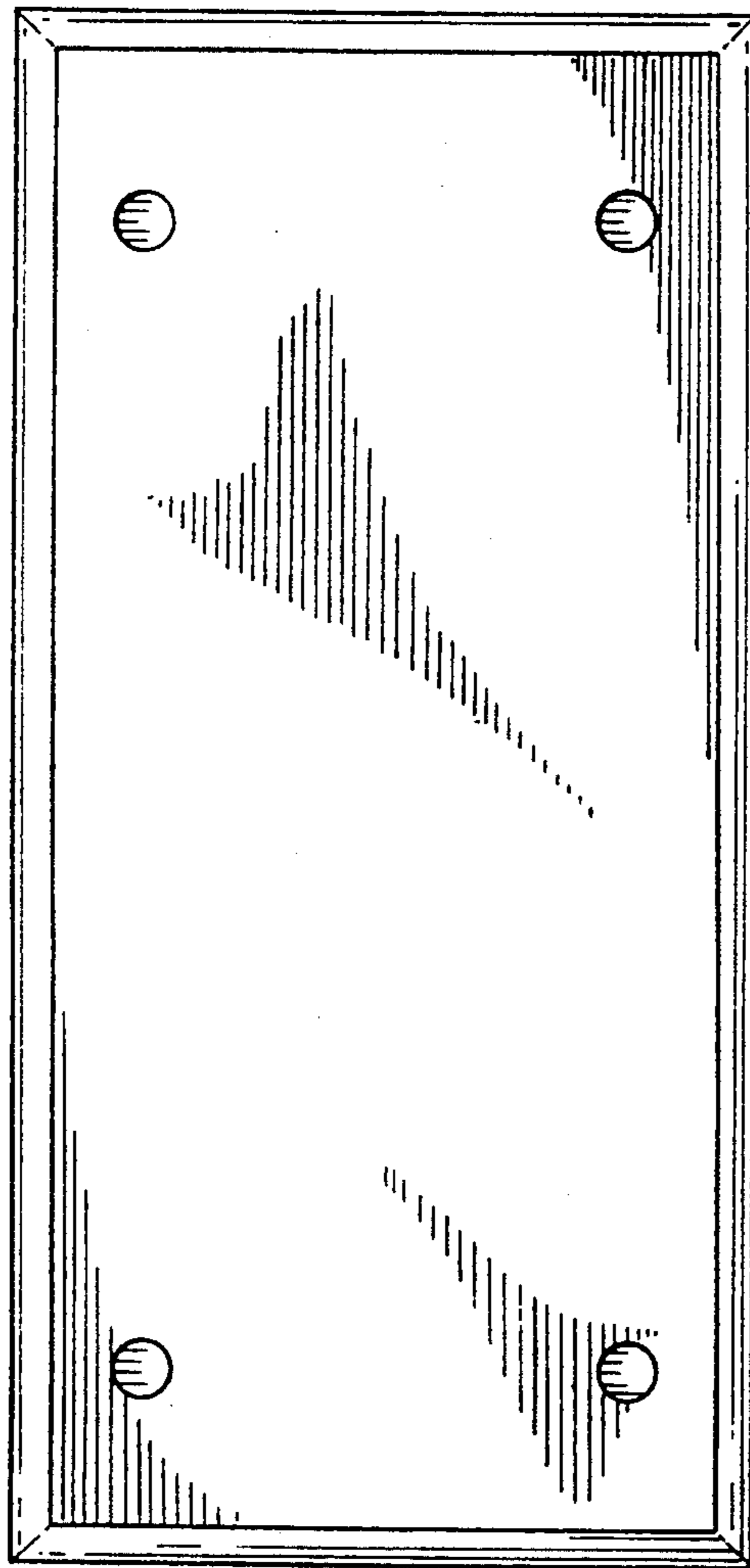


FIG. 4.



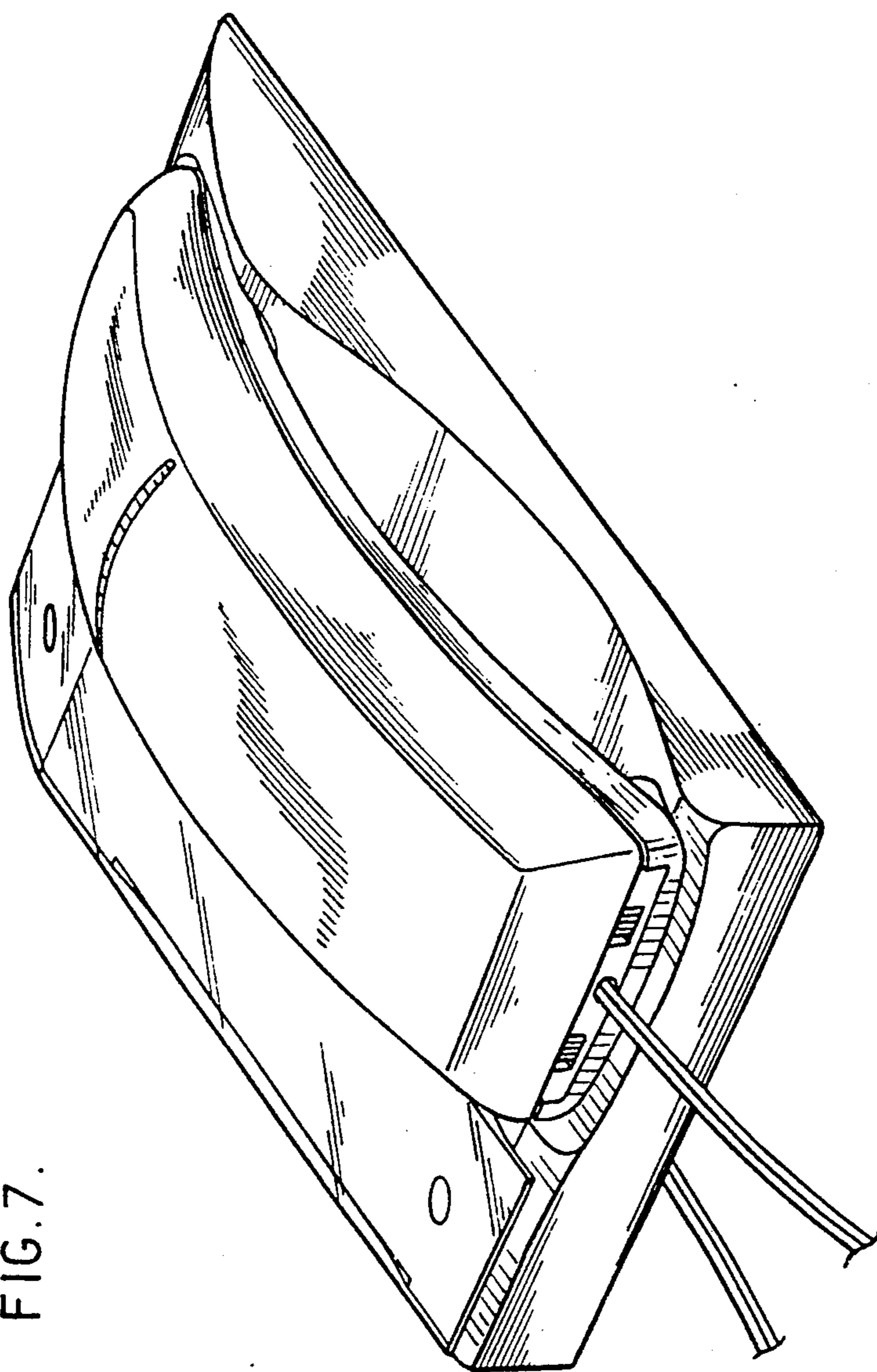


FIG. 7.