



US00D331744S

United States Patent [19]

[11] Patent Number: **Des. 331,744**

Kawai

[45] Date of Patent: **** Dec. 15, 1992**

[54] **WORD PROCESSOR HOUSING**

[75] Inventor: **Hideki Kawai, Machida, Japan**

[73] Assignee: **Canon Kabushiki Kaisha, Tokyo, Japan**

[**] Term: **14 Years**

[21] Appl. No.: **572,102**

[22] Filed: **Aug. 24, 1990**

[30] **Foreign Application Priority Data**

Mar. 6, 1990 [JP] Japan 2-7399

[52] U.S. Cl. **D14/106; D14/113**

[58] Field of Search **D14/100, 101, 106, 113, D14/124-126; D18/1, 7; 340/700, 706, 711, 712; 341/22, 23; 358/249, 254; 361/390; 364/706-708**

[56] **References Cited**

U.S. PATENT DOCUMENTS

- D. 272,444 1/1984 Ohie D14/106
- D. 276,231 11/1984 Frigard et al. D14/106

- D. 285,687 9/1986 Manock et al. D14/106
- D. 298,247 10/1988 Kogane et al. D14/126
- D. 310,067 8/1990 Koprowski et al. D14/106
- D. 314,559 2/1991 Foster et al. D14/106
- D. 326,648 6/1992 Barbera et al. D14/100 X

Primary Examiner—Wallace R. Burke
Assistant Examiner—Freda S. Nunn
Attorney, Agent, or Firm—Fitzpatrick, Cella, Harper & Scinto

[57] **CLAIM**

The ornamental design for a word processor housing, as shown and described.

DESCRIPTION

FIG. 1 is a front elevational view of a word processor housing showing my new design;
FIG. 2 is a rear elevational view thereof;
FIG. 3 is a top plan view thereof;
FIG. 4 is a bottom plan view thereof;
FIG. 5 is a left side elevational view thereof;
FIG. 6 is a right side elevational view thereof; and,
FIG. 7 is a perspective view thereof.

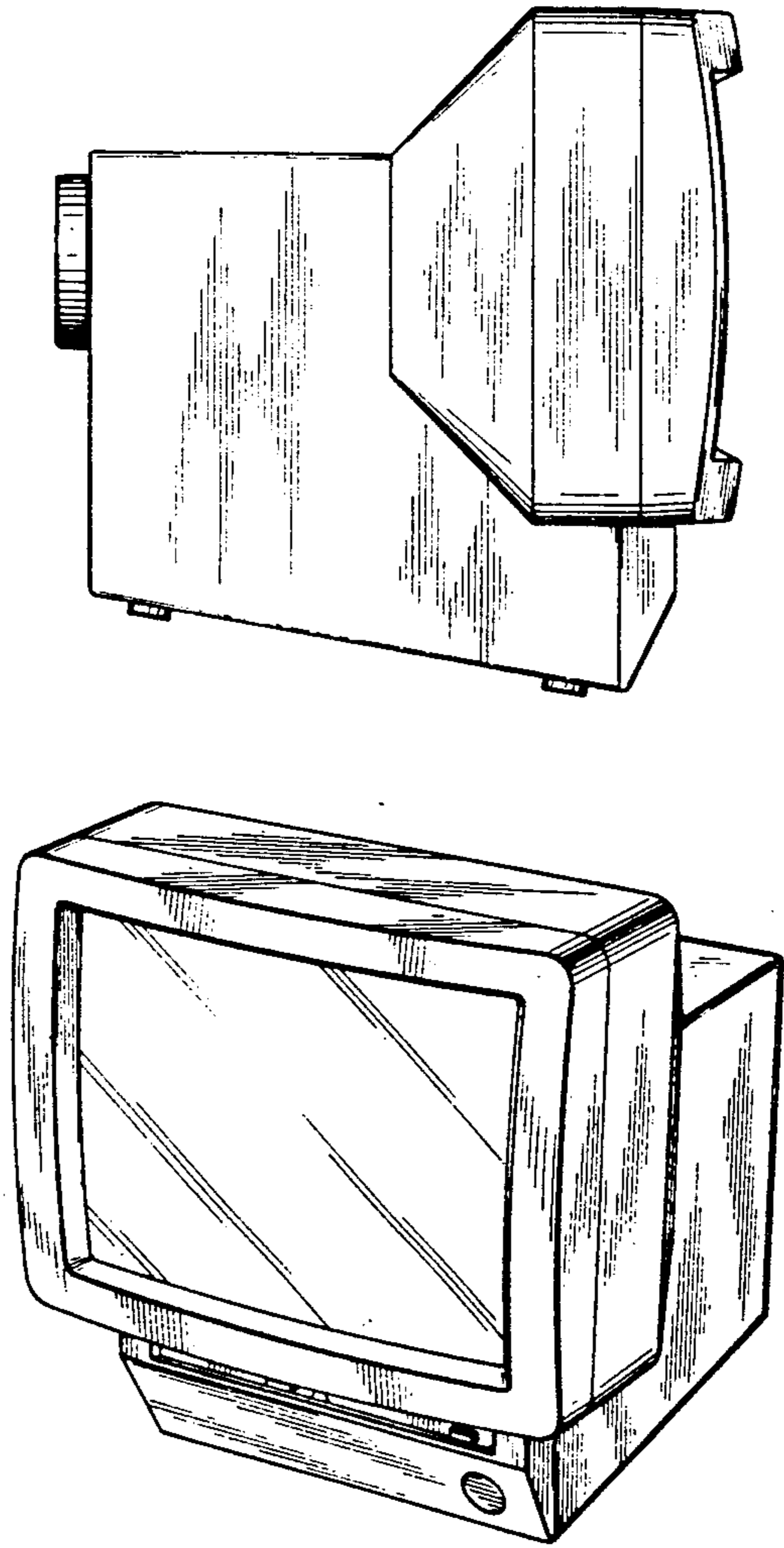


FIG. 1

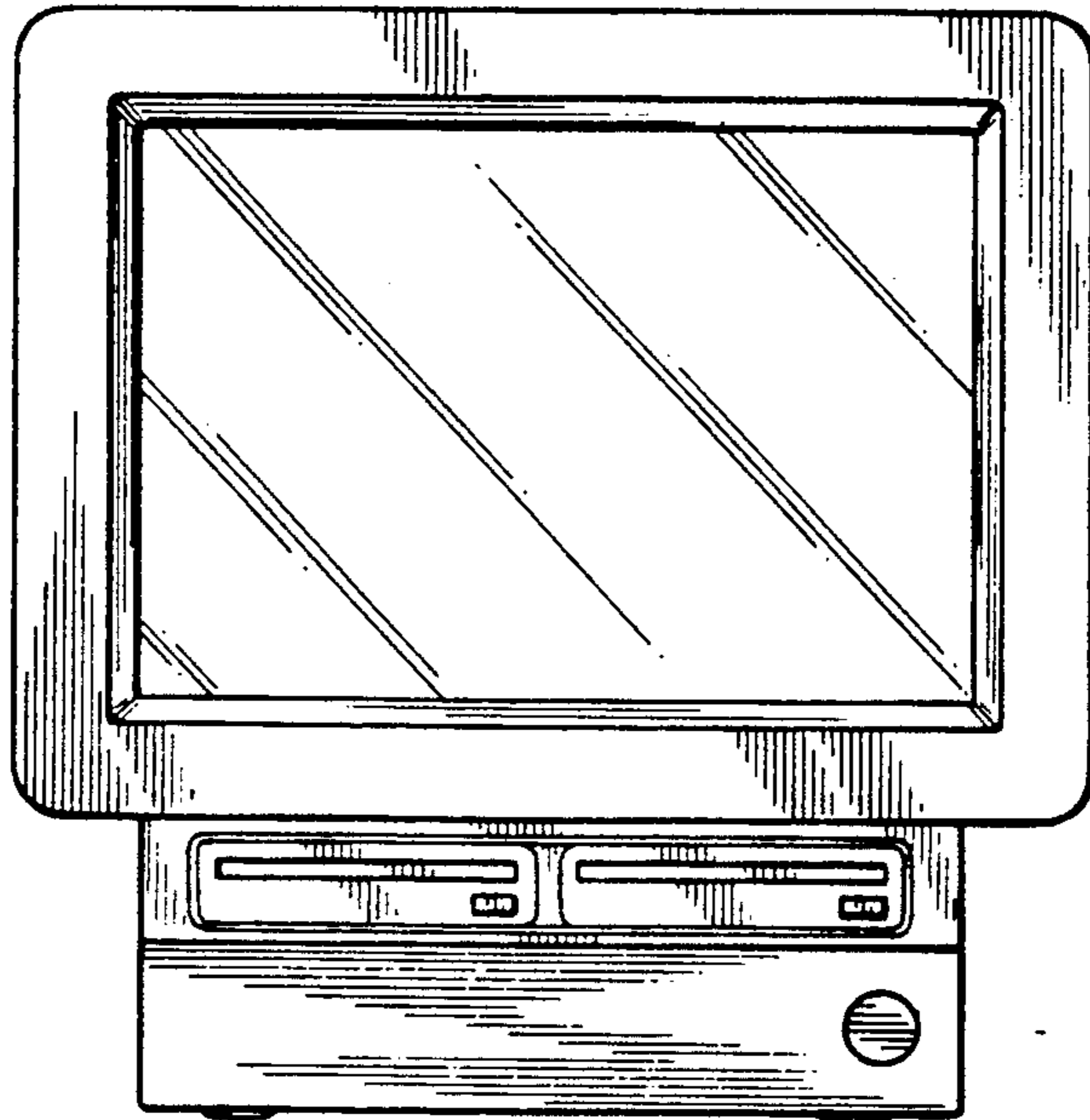


FIG. 2

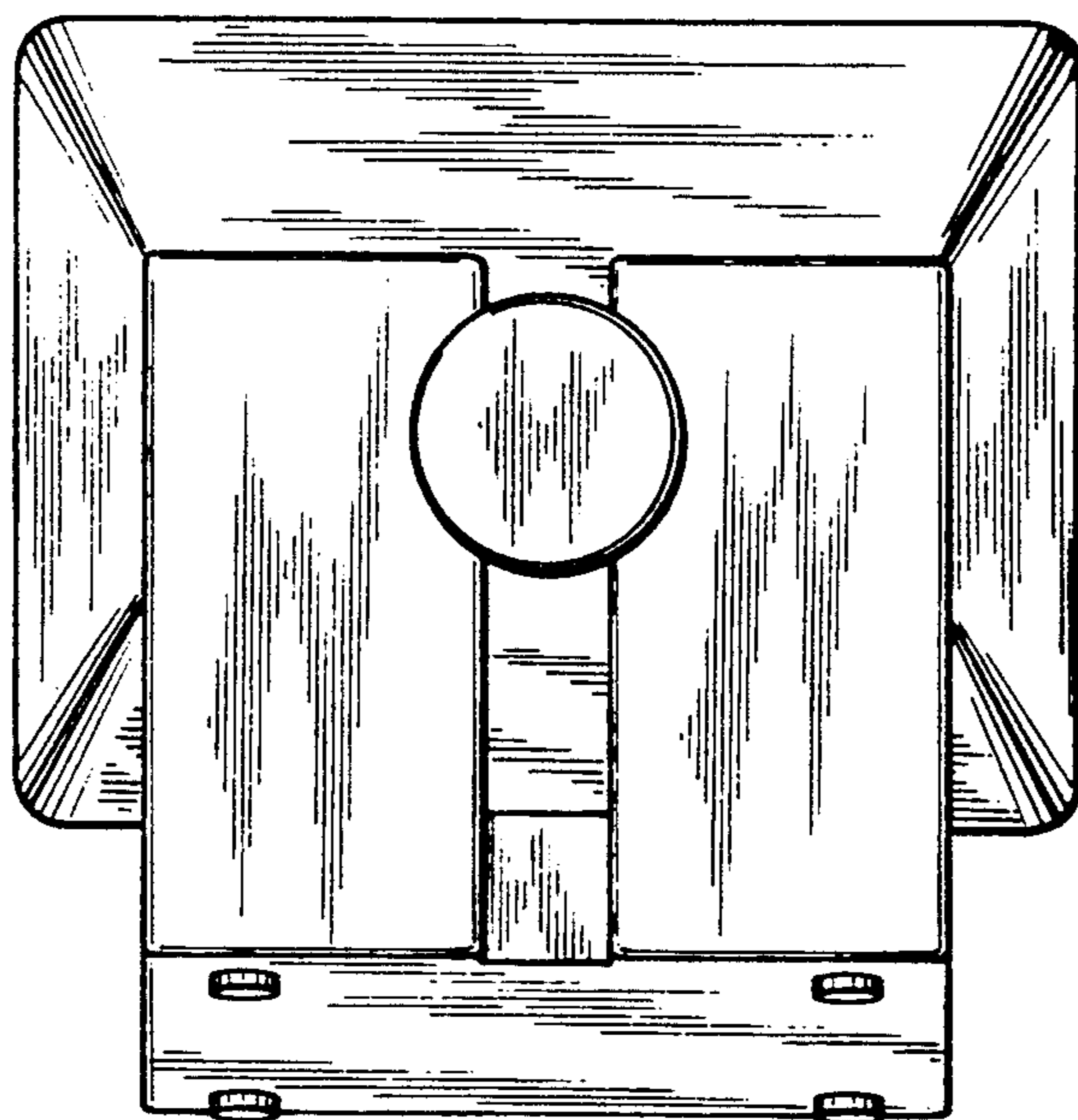


FIG. 3

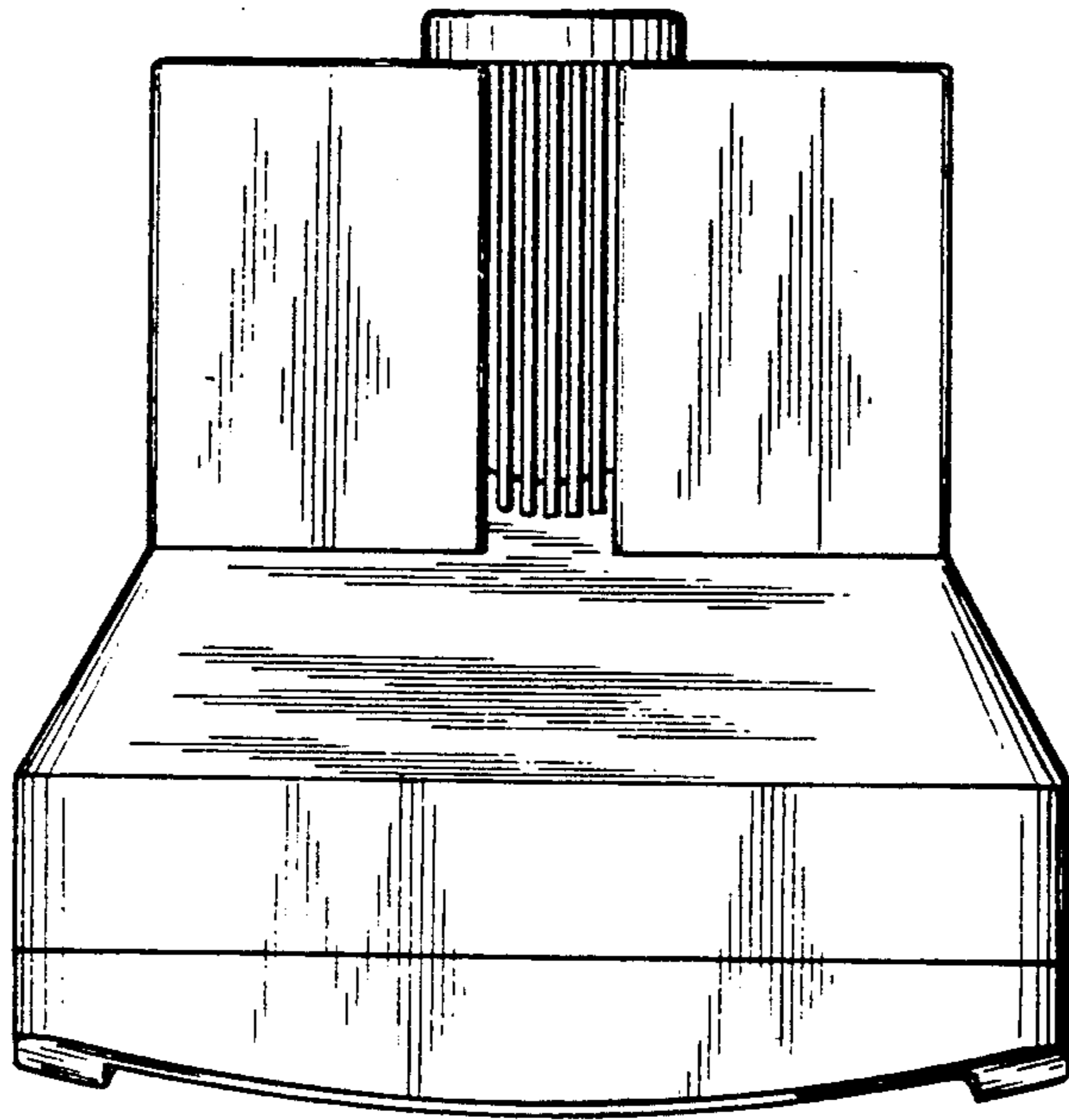


FIG. 4

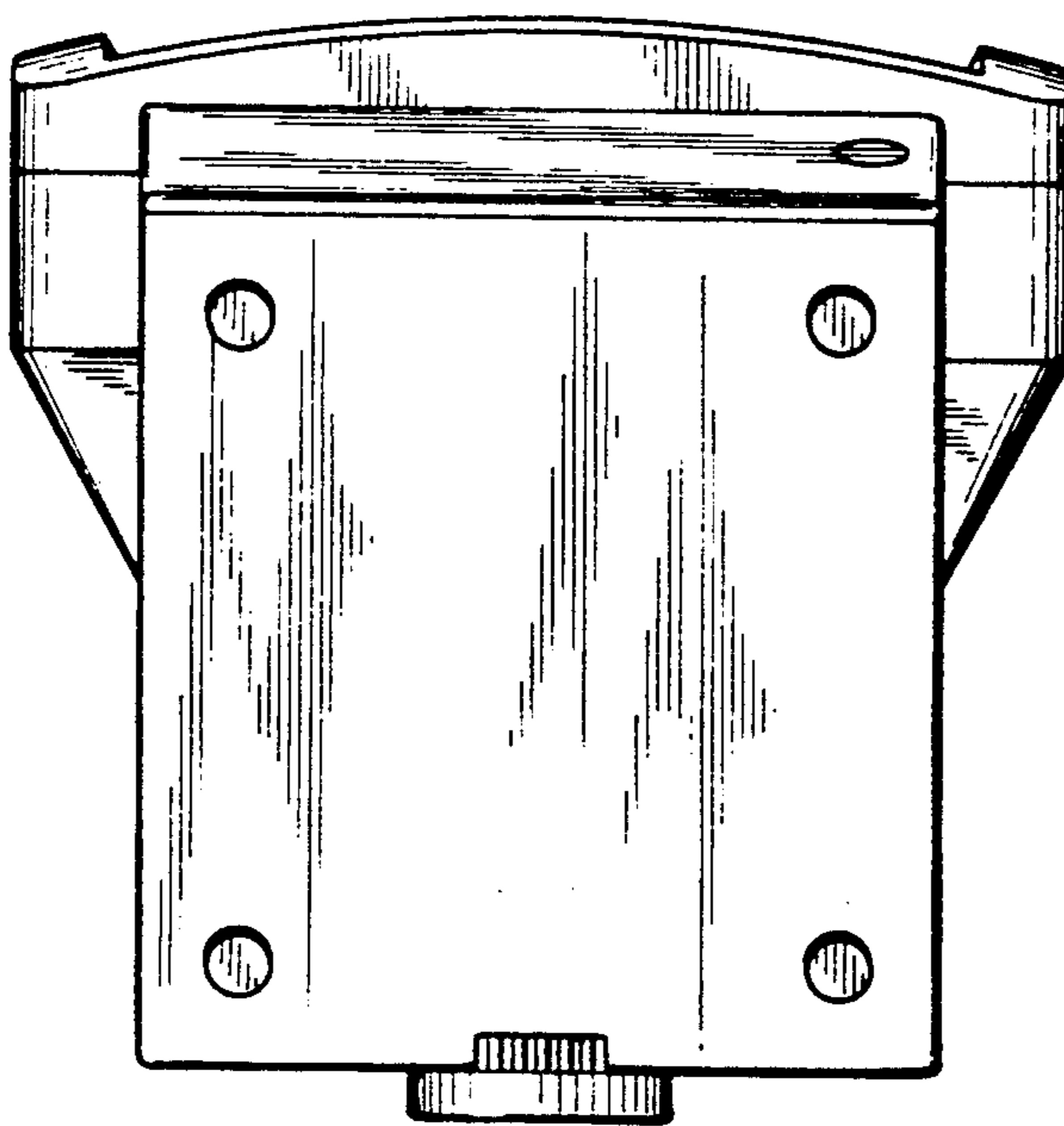


FIG. 5

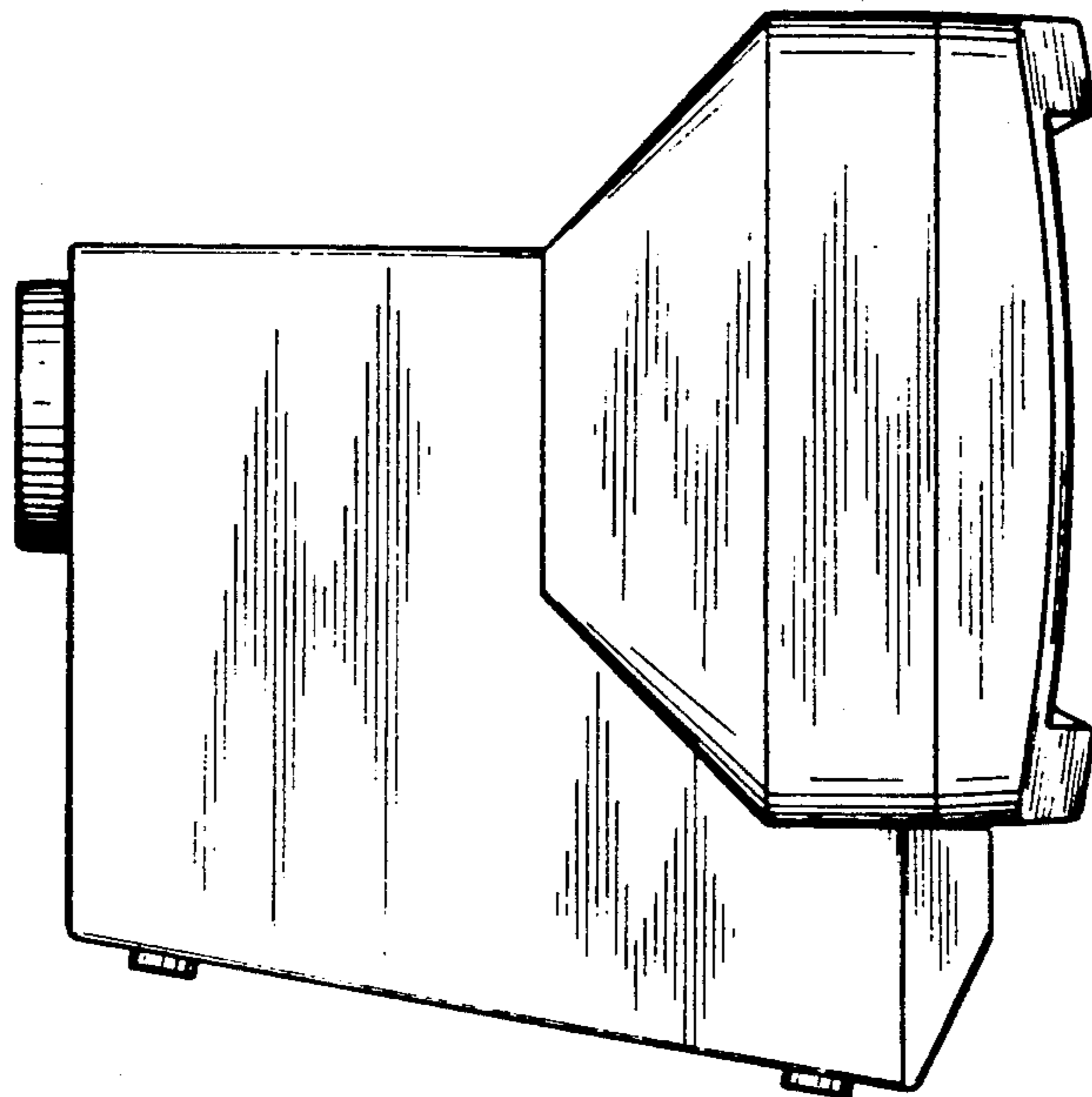


FIG. 6

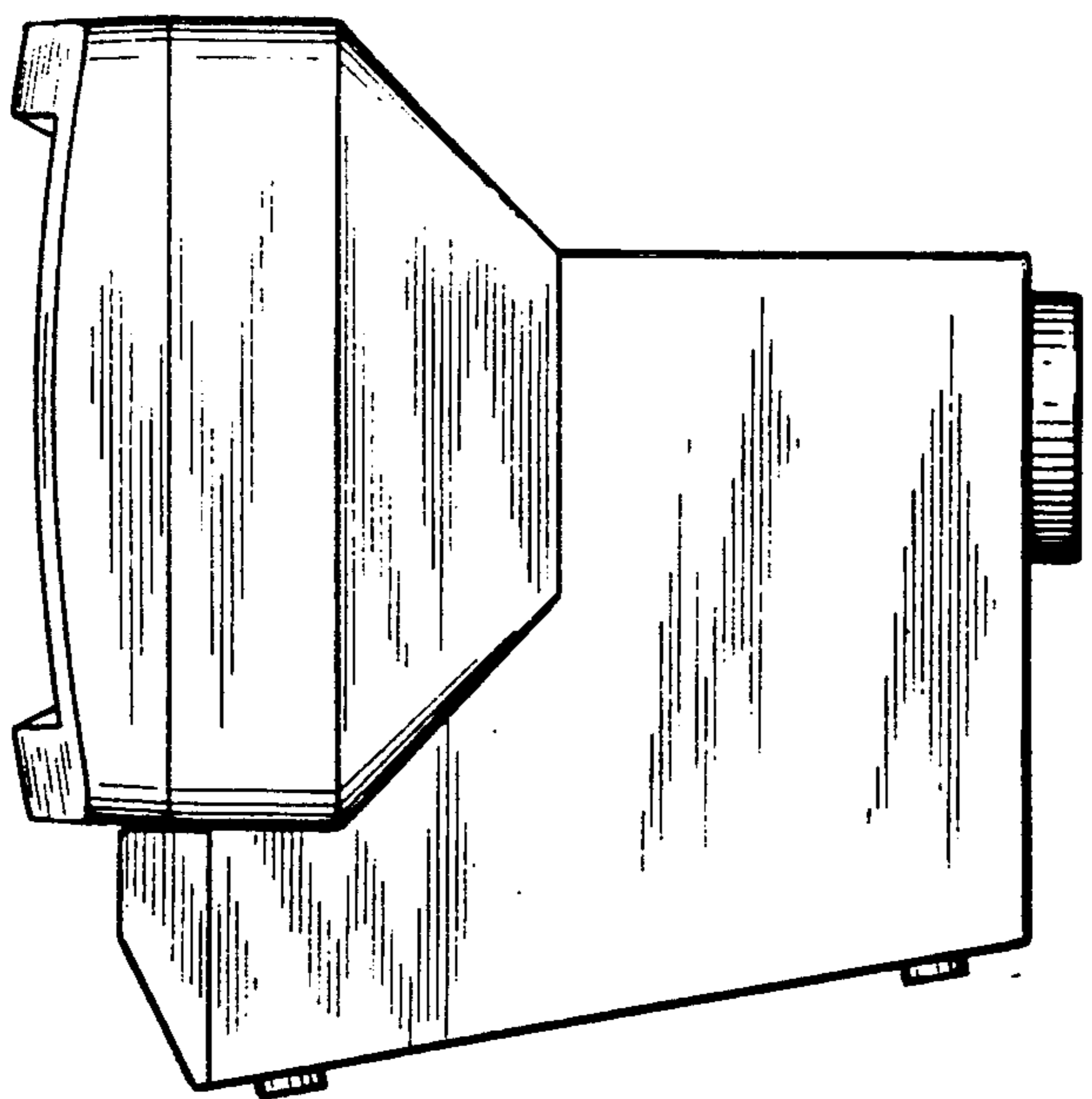


FIG. 7

