



US00D331740S

# United States Patent [19]

[11] Patent Number: Des. 331,740

Kaplan

[45] Date of Patent: \*\* Dec. 15, 1992

## [54] COVER WITH SECURING ELEMENT CHAMBER FOR A CABLE TELEVISION SUBSCRIBER RECEPTACLE

[75] Inventor: Steve E. Kaplan, Elyria, Ohio

[73] Assignee: Multilink, Inc., Elyria, Ohio

[\*\*] Term: 14 Years

[21] Appl. No.: 571,887

[22] Filed: Aug. 24, 1990

[52] U.S. Cl. .... D13/156

[58] Field of Search ..... D13/152, 156, 184; D14/240, 256; D8/350, 353; 439/135, 136, 527, 528, 529, 535, 536, 892; 174/66, 67, 138 F; 220/3.8, 241, 242; 200/333

### [56] References Cited

#### U.S. PATENT DOCUMENTS

D. 152,169	12/1948	Raney	.....	D13/119
D. 214,449	6/1969	Greene	.....	D13/152
D. 217,672	5/1970	Vilegi et al.	.....	D13/152
D. 265,986	8/1982	Wearsch et al.	.....	D13/152 X
D. 312,618	12/1990	Ambros	.....	D13/184
2,510,745	6/1950	Kolgore	.....	439/147 X
3,491,327	1/1970	Tait et al.	.....	174/67
4,223,796	9/1980	Silver	.....	220/3.8
4,874,906	10/1989	Shotey	.....	174/67

#### FOREIGN PATENT DOCUMENTS

1515491 6/1969 Fed. Rep. of Germany ..... 174/66

Primary Examiner—Wallace R. Burke

Assistant Examiner—Joel Sincavage

### [57] CLAIM

The ornamental design as shown and described herein

for a cover with securing element chamber for a cable television subscriber receptacle.

### DESCRIPTION

FIG. 1 is a front and upper left perspective of a cover with securing element chamber for a cable television subscriber receptacle showing my new design;

FIG. 2 is a rear and upper left perspective view thereof. The broken line showings throughout the drawing disclosure are included for the purpose of illustrating environmental elements only and form no part of the claimed design.

FIG. 3 is a front and lower right perspective view thereof.

FIG. 4 is a rear and lower left perspective view thereof; FIG. 5 is a left side elevational view thereof shown on an enlarged scale;

FIG. 6 is a top plan view thereof shown on an enlarged scale;

FIG. 7 is a front and upper left perspective of a cover with securing element chamber for a cable television subscriber receptacle showing a second embodiment of the design on the same scale as FIG. 1.

FIG. 8 is a rear and lower left perspective view thereof; FIG. 9 is left side elevational view thereof shown on the same scale as FIG. 5;

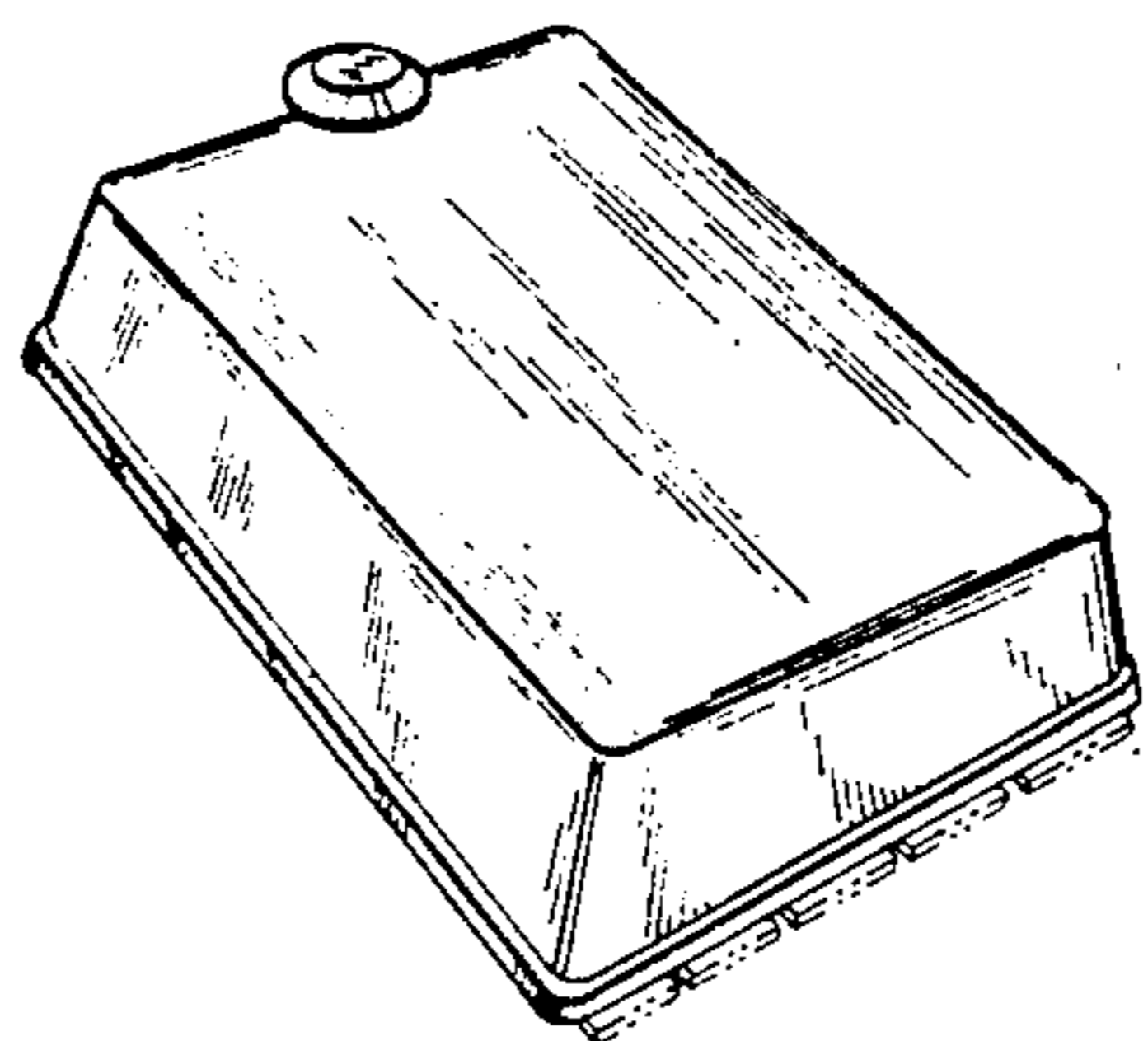
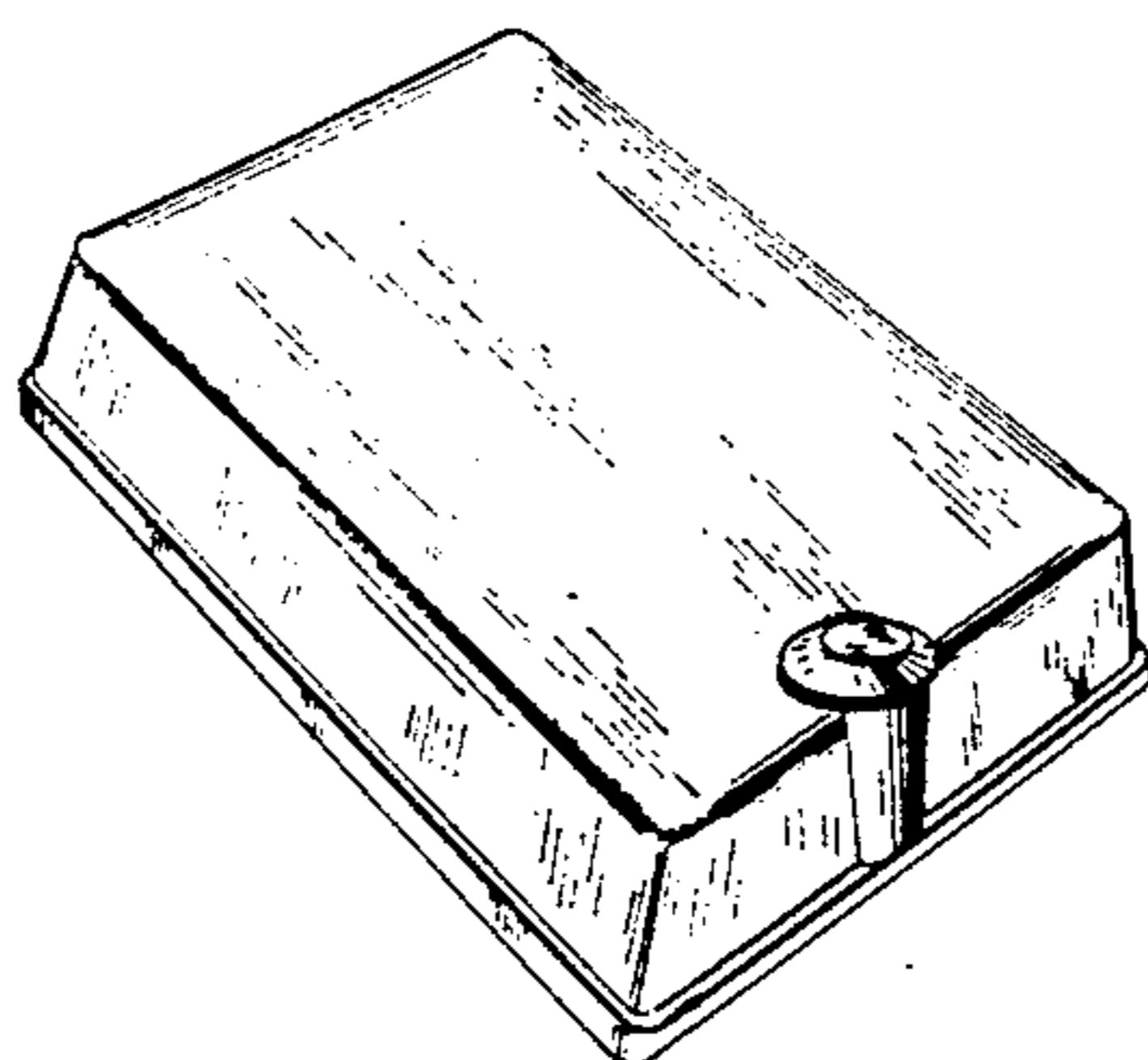
FIG. 10 is a top plan view thereof shown on the same scale as FIG. 5;

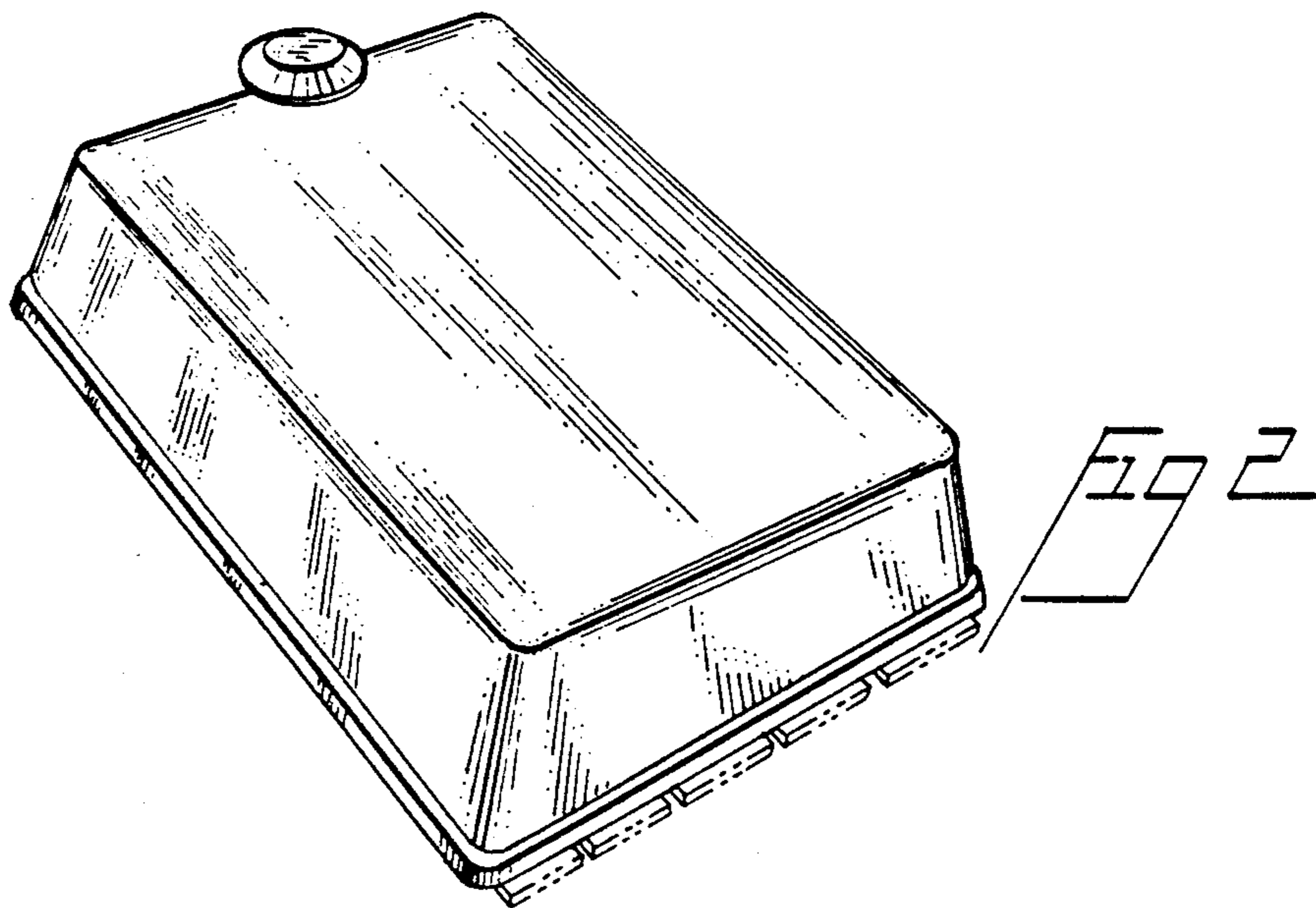
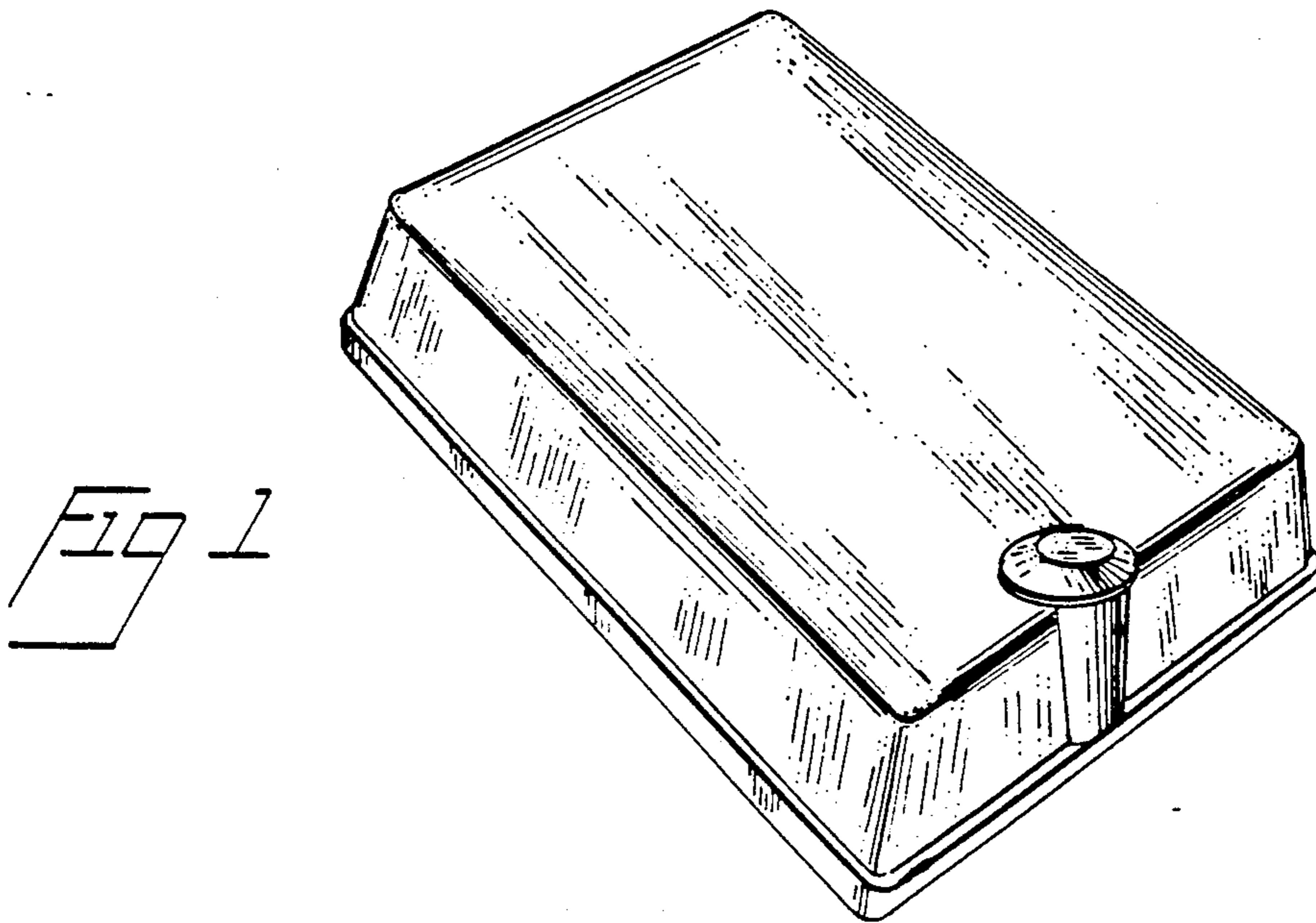
FIG. 11 is a front and upper left perspective of a cover with securing element chamber for a cable television subscriber receptacle showing a third embodiment of the design on the same scale as FIG. 1;

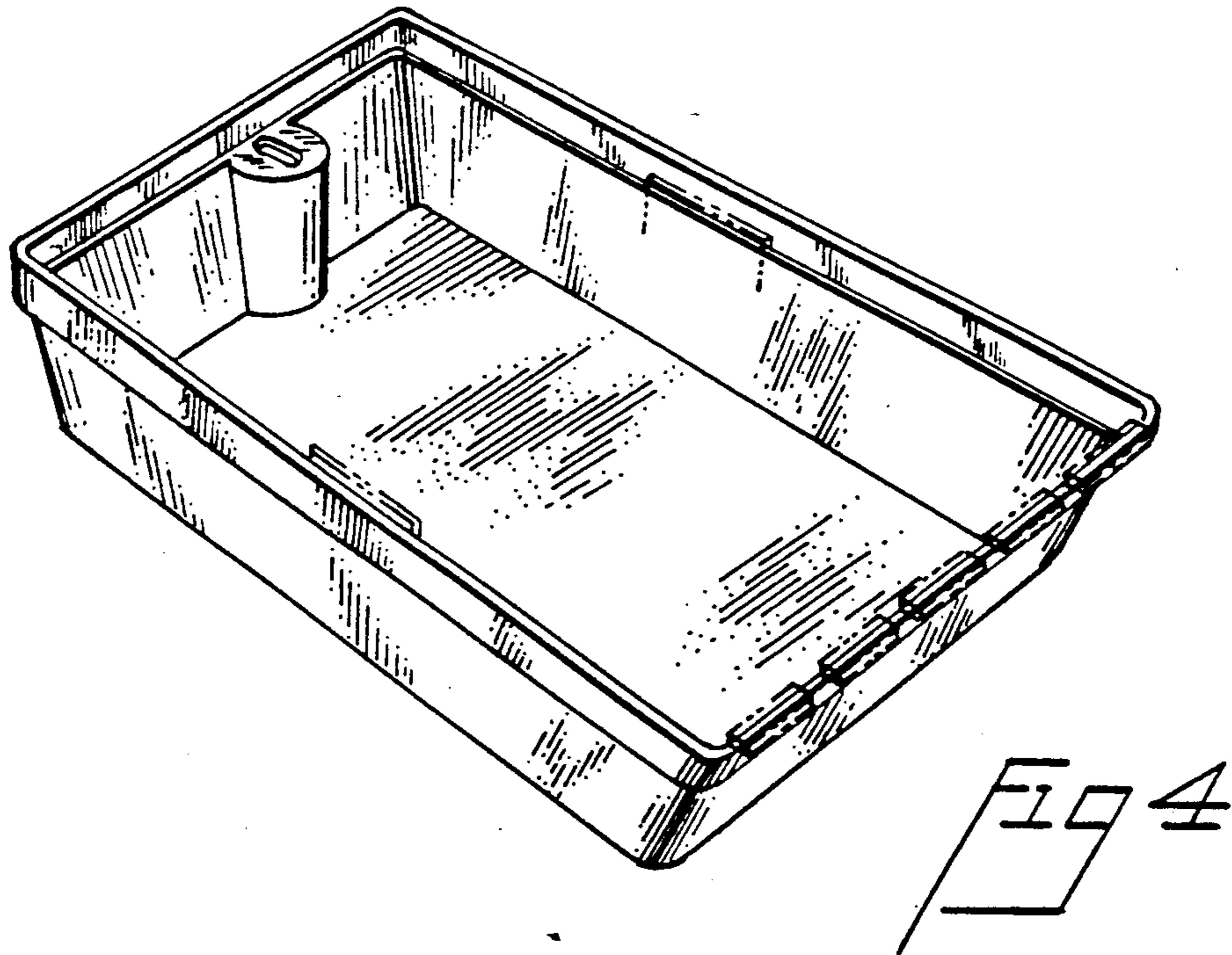
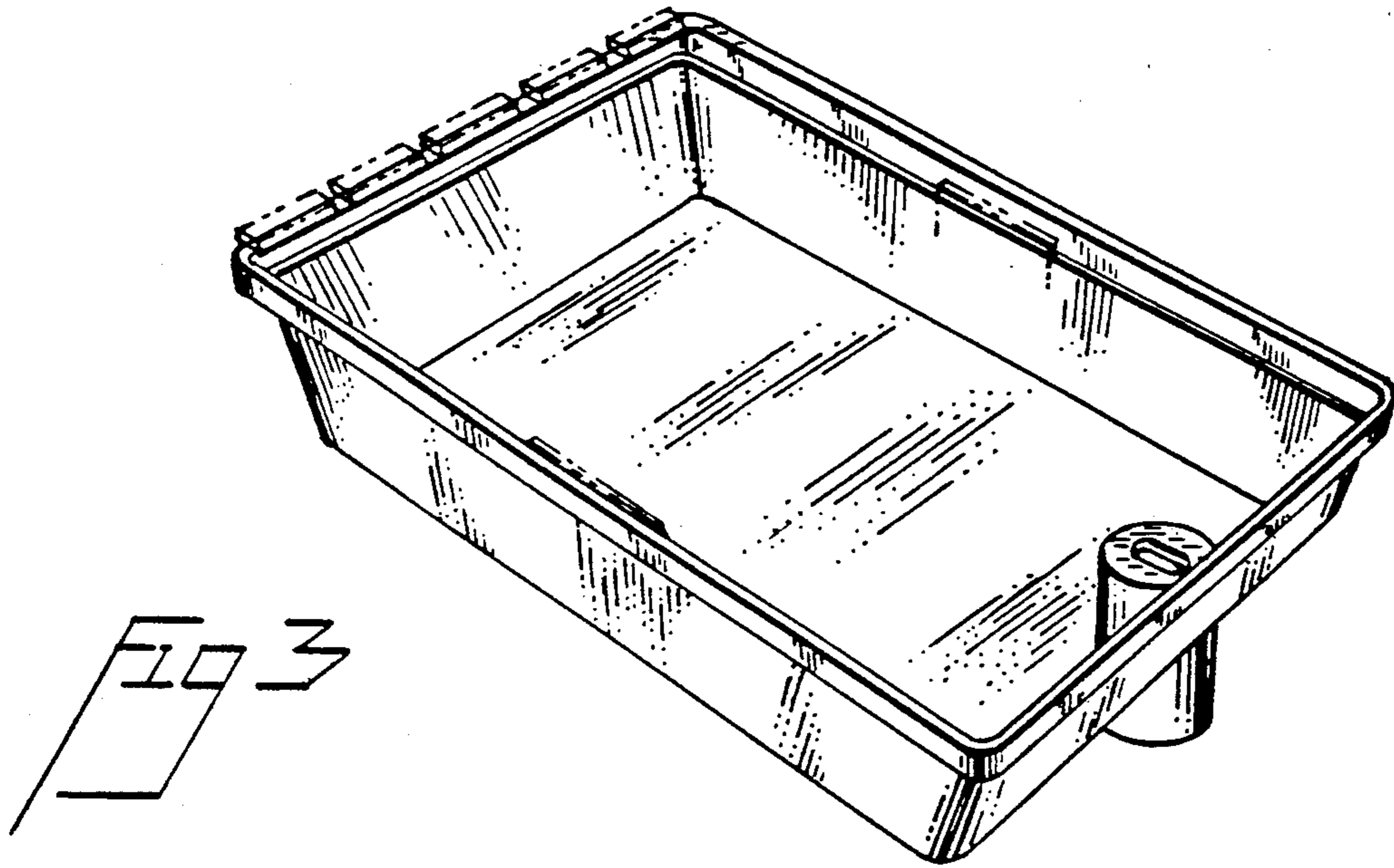
FIG. 12 is a rear and lower elevational view thereof.

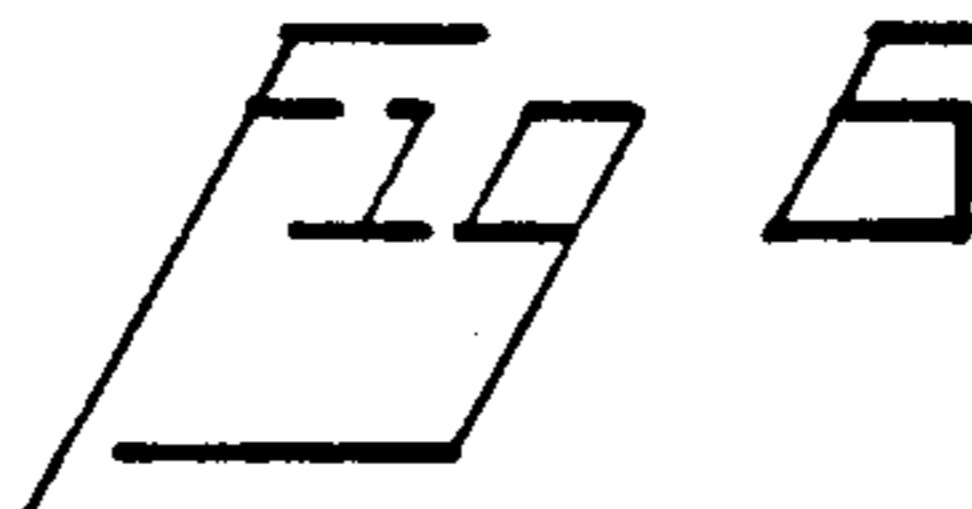
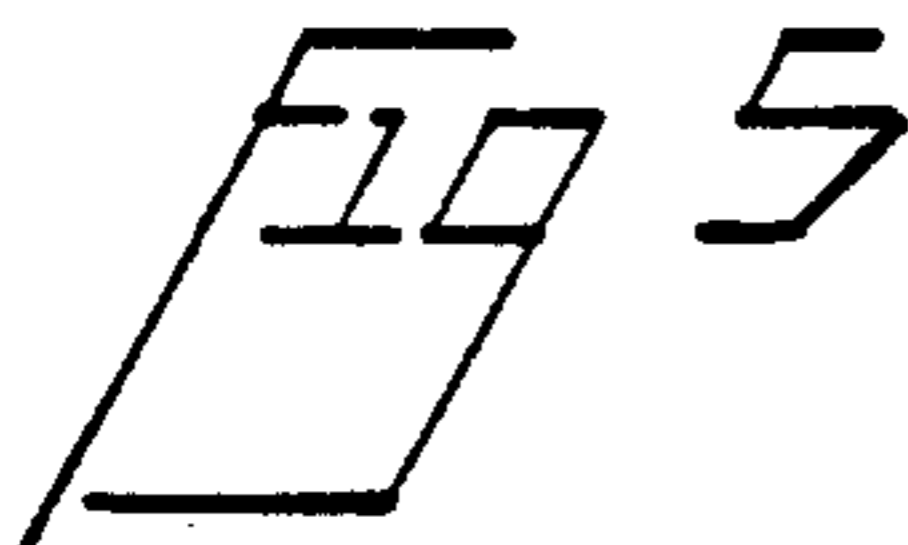
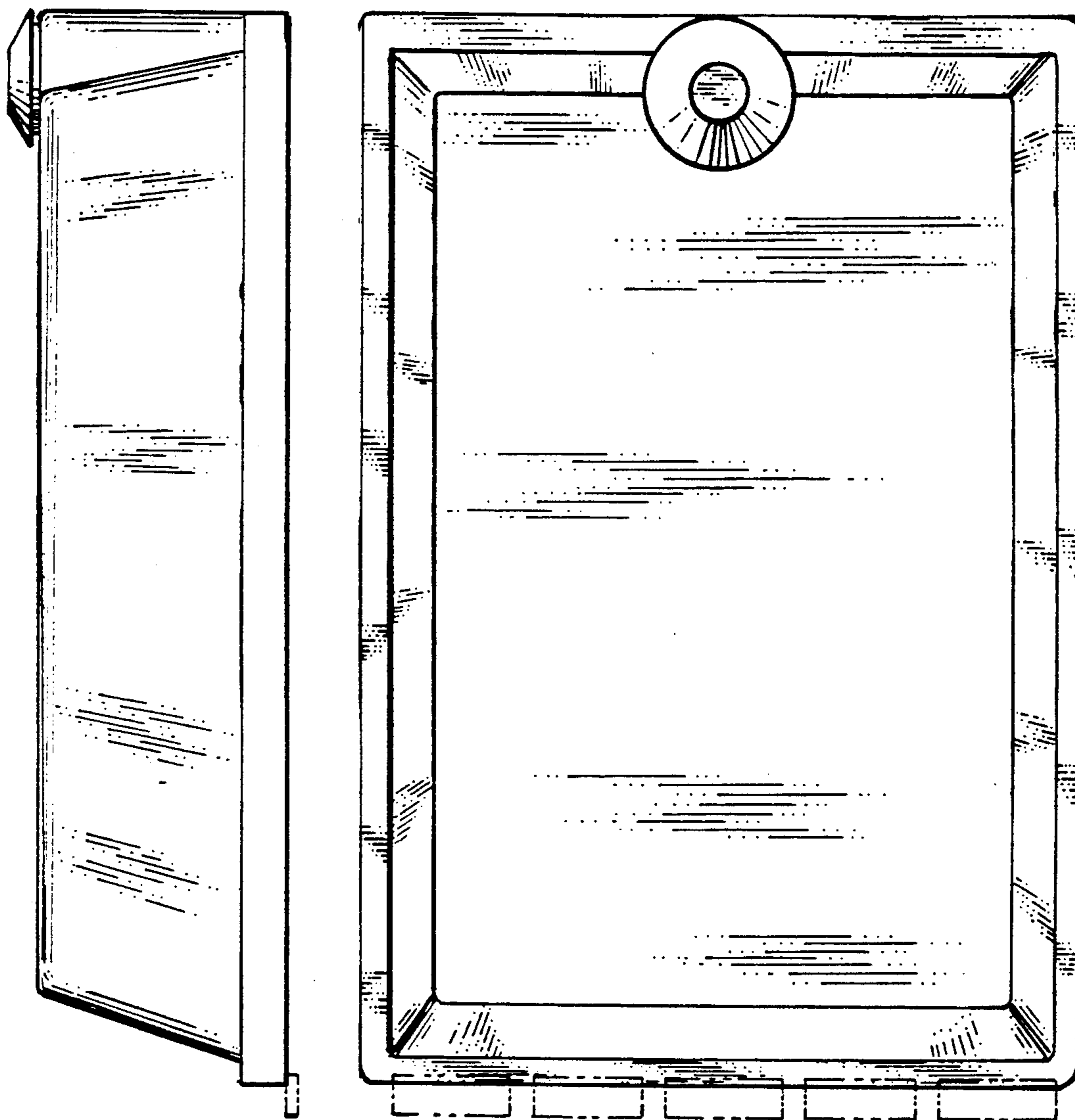
FIG. 13 is a front elevational view thereof shown on the same scale as FIG. 5; and,

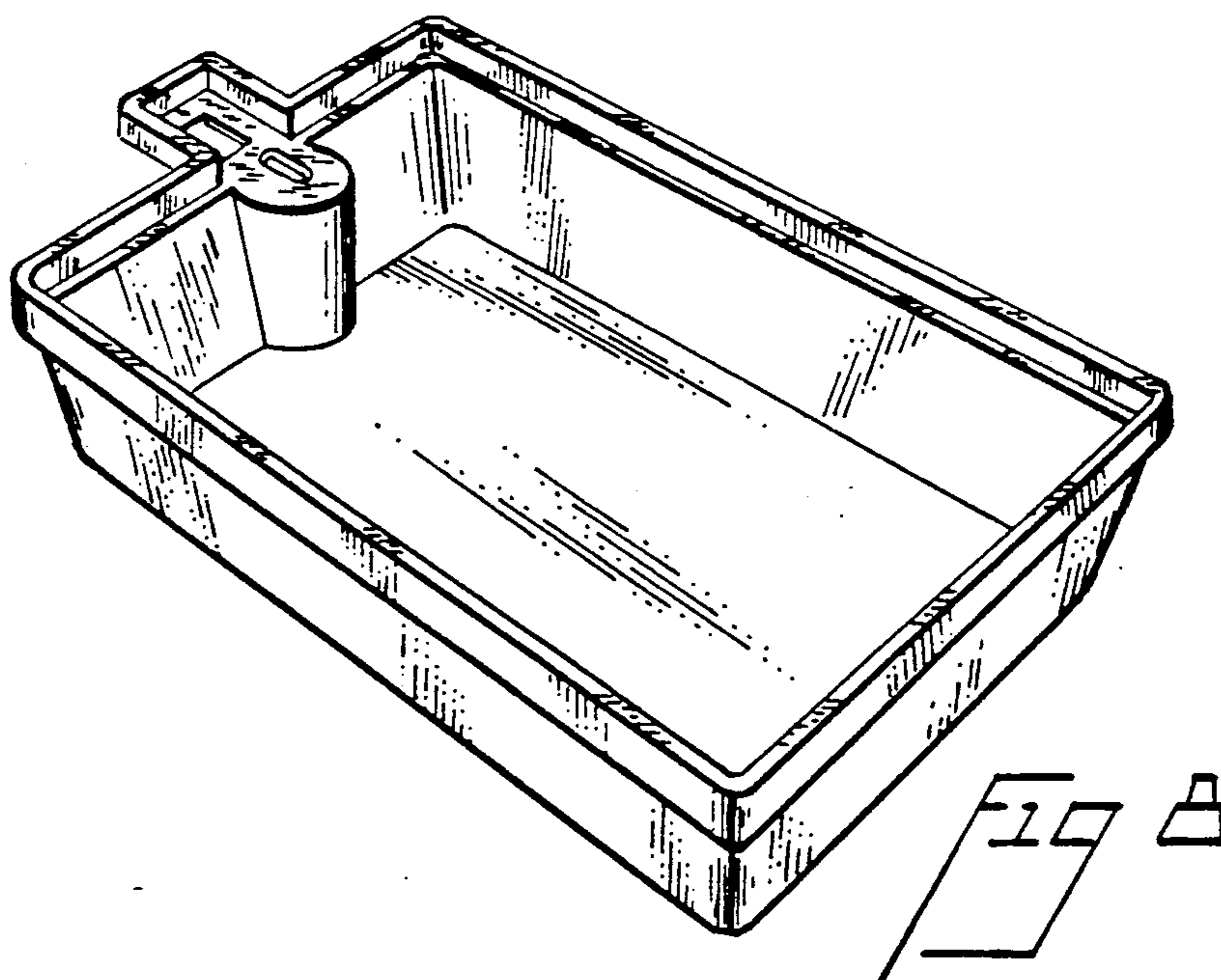
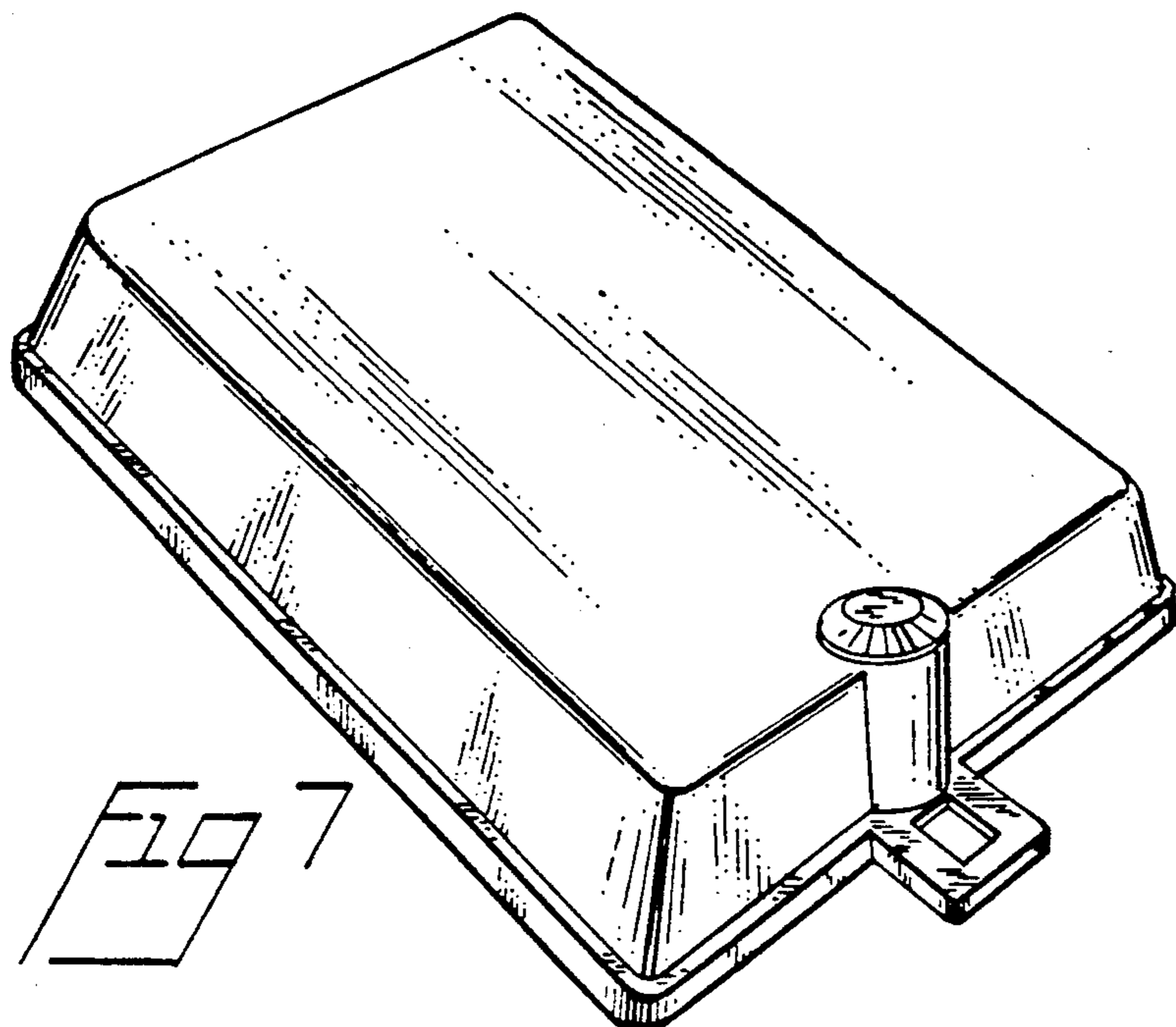
FIG. 14 is a top plan view thereof shown on the same scale as FIG. 5.

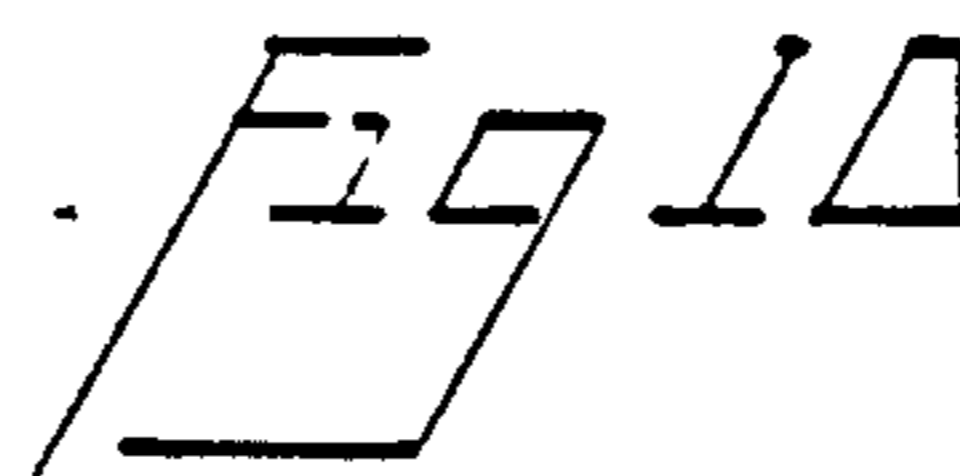
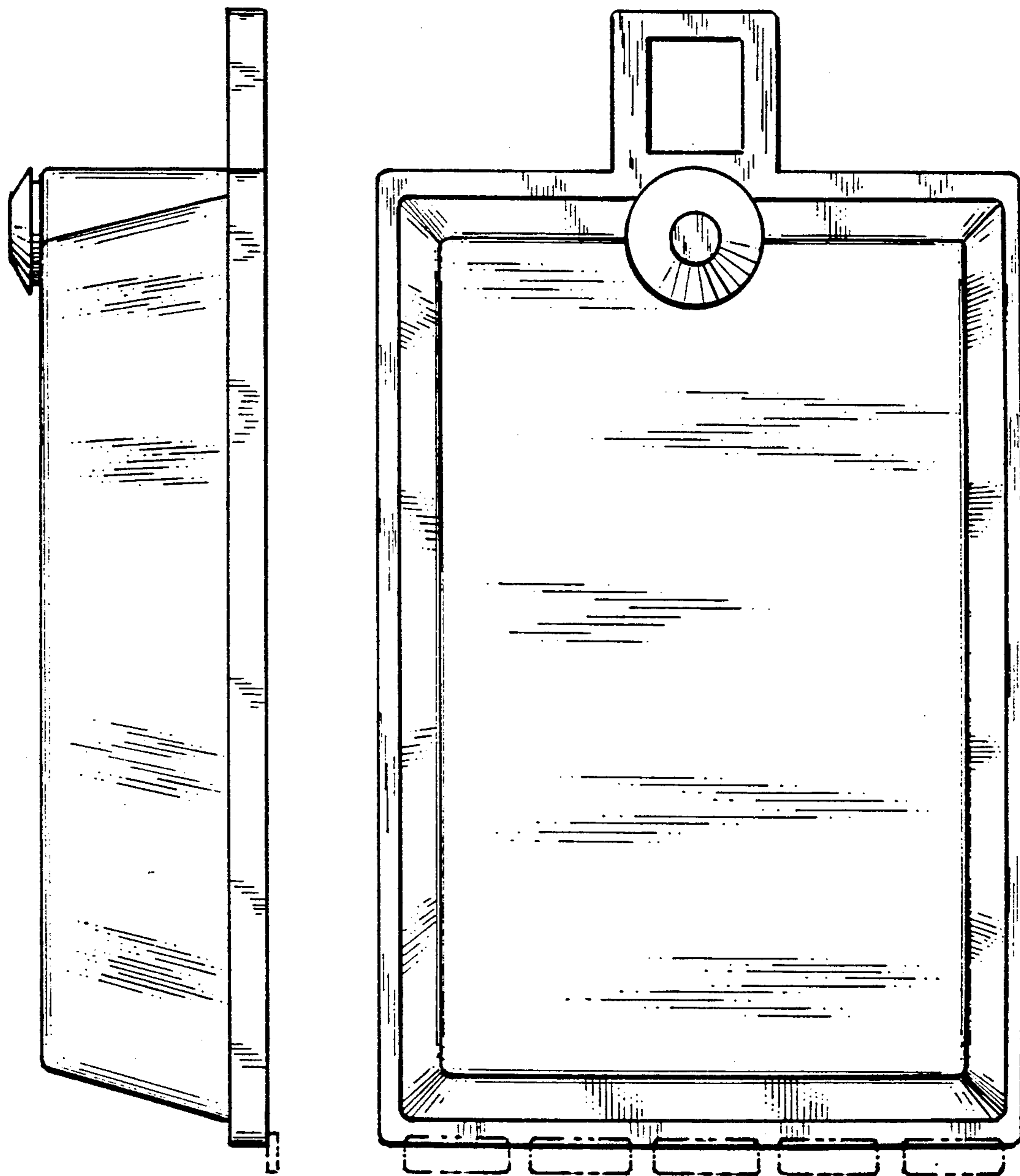


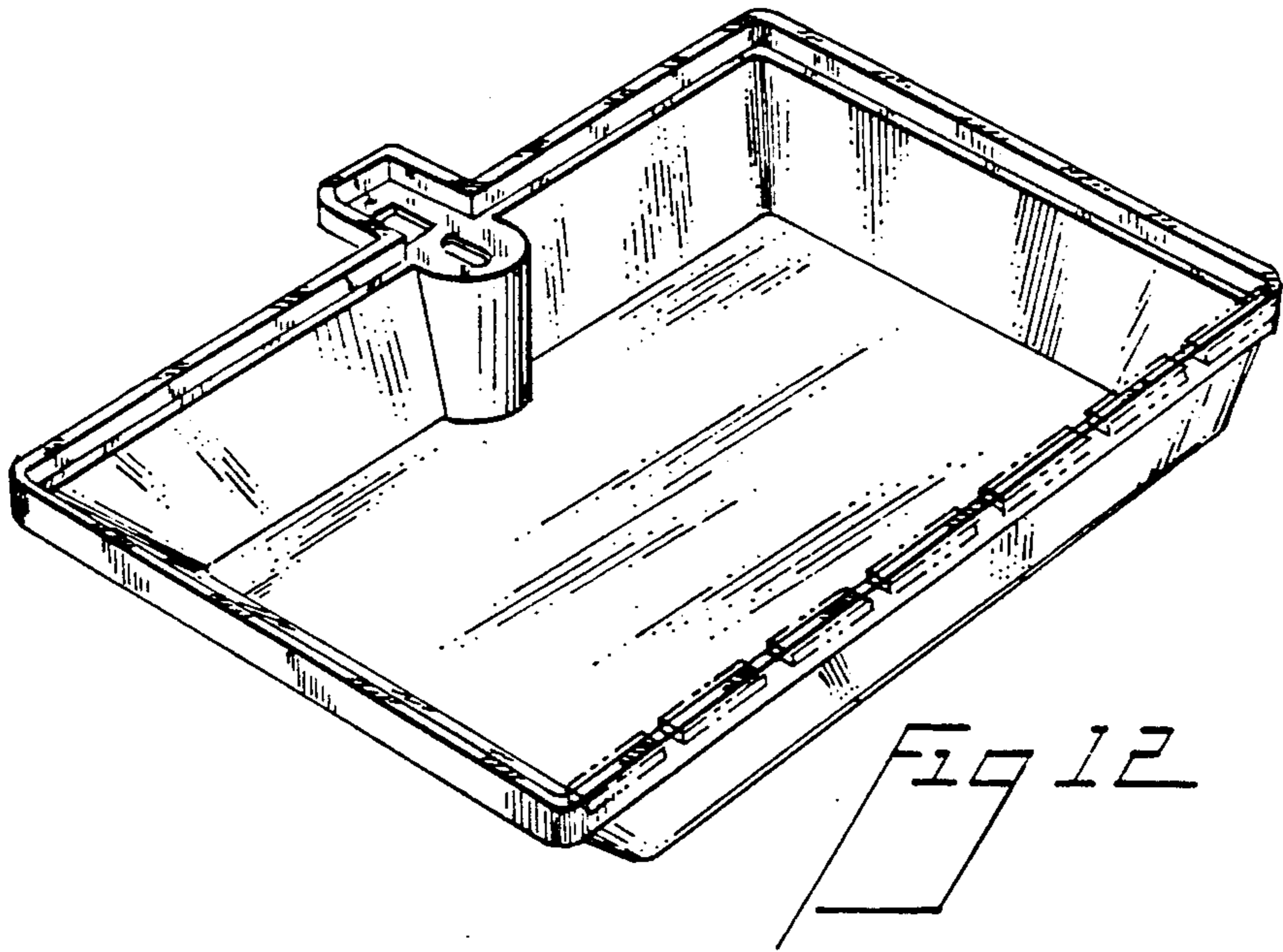
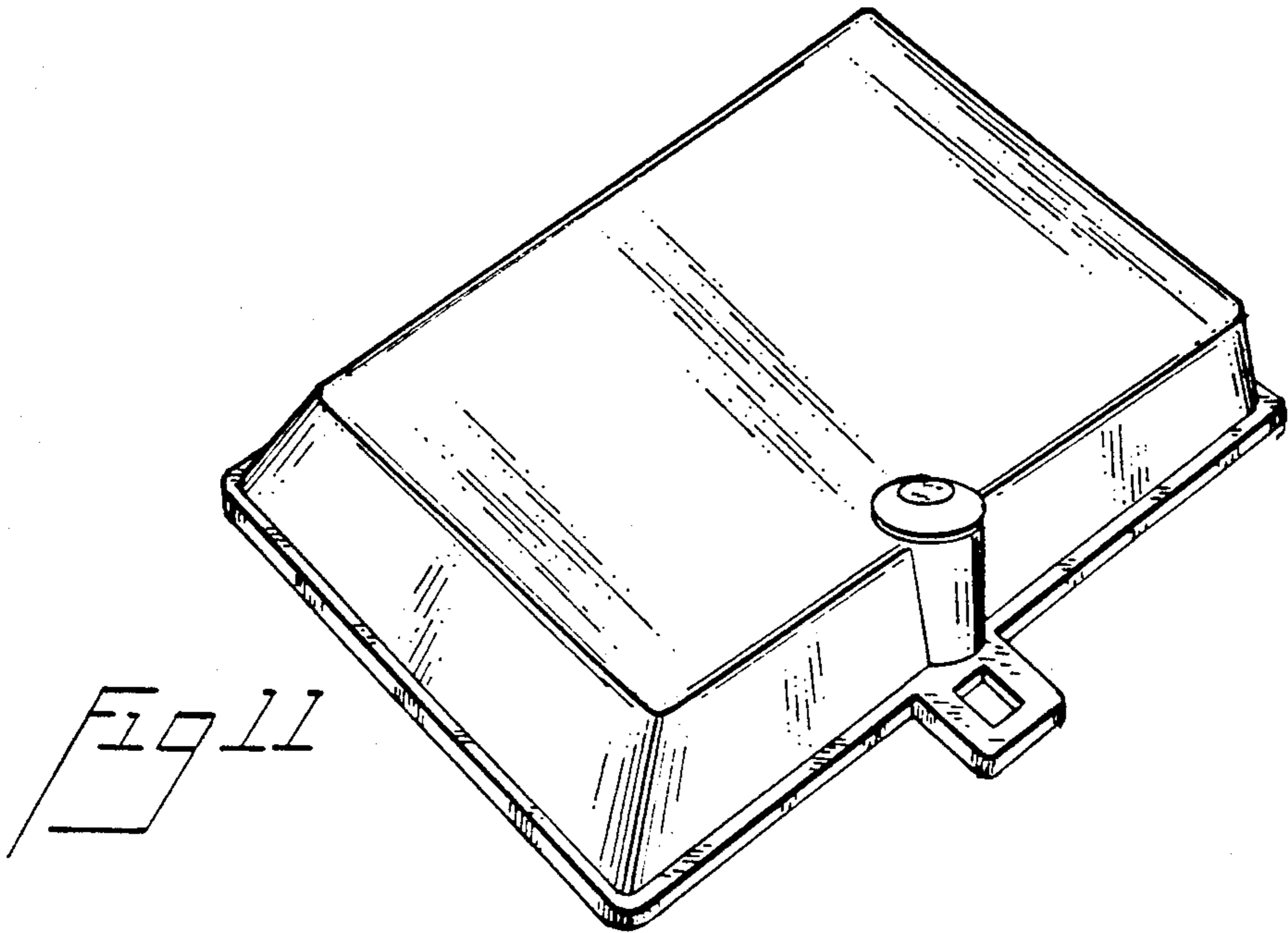












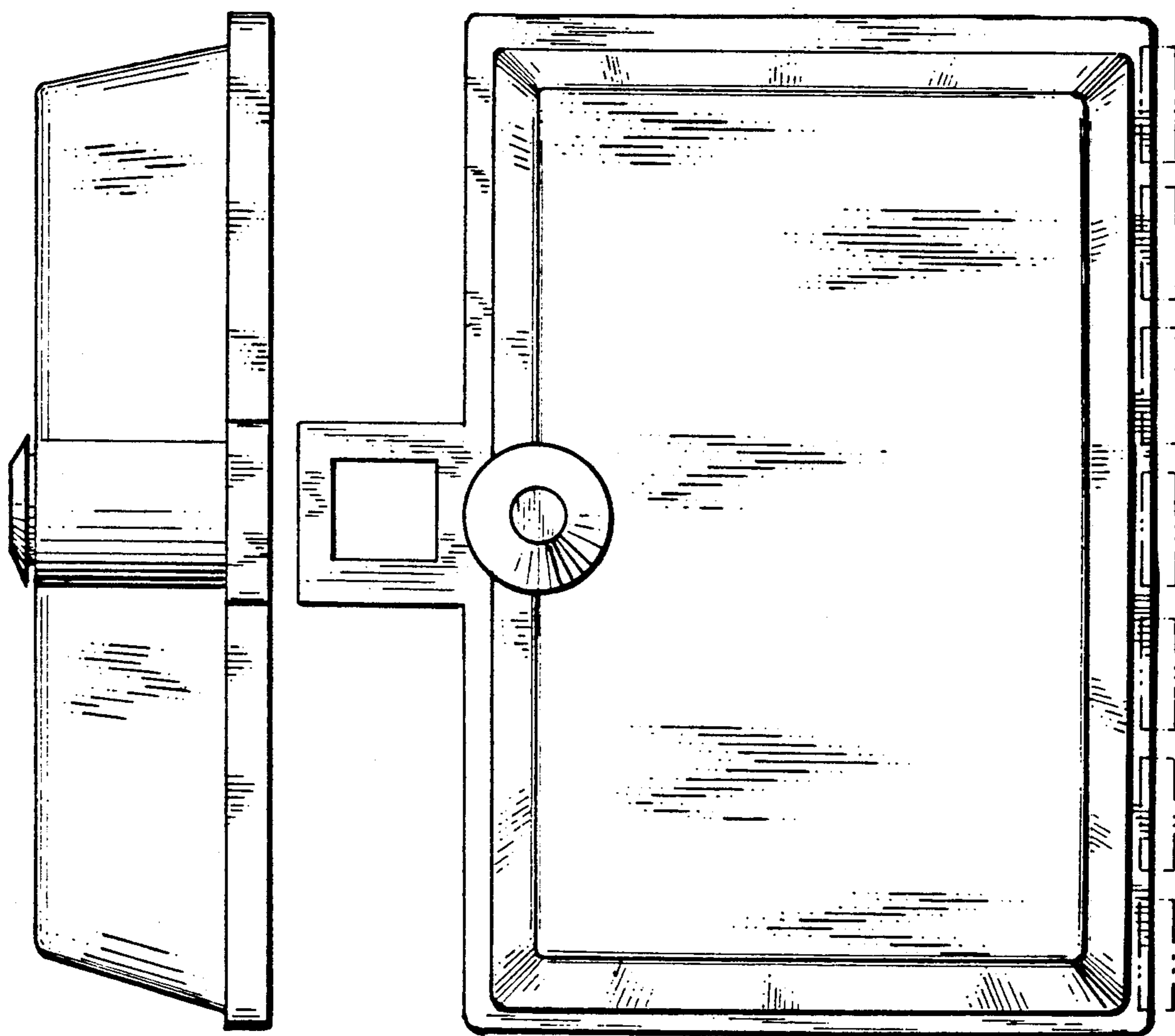


FIG. 13

FIG. 14